



## Safety & Instruction Manual



**WARNING: Black Powder or an approved black powder substitute are the only propellant powders that are safe to use in a muzzleloading firearm.**

**Read the instructions and warnings in this manual CAREFULLY BEFORE using this Traditions™ firearm.**

Traditions™ Performance Firearms  
1375 Boston Post Road  
P.O. Box 776  
Old Saybrook, CT 06475  
(860) 388-4656  
[www.traditionsfirearms.com](http://www.traditionsfirearms.com)

## **Your Muzzleloading Rifle**

Congratulations on your purchase of a Traditions™ muzzleloader. You have selected a muzzleloading firearm designed and engineered to give today's shooters the highest performance and optimum accuracy. When given the respect and care that any firearm demands, you can expect many years of reliable service and enjoyable hunting from your new Traditions™ muzzleloader.

## **The Sport of Muzzleloading**

More and more sportsmen have discovered the challenge and enjoyment of muzzleloading in recent years. For both hunting and target shooting, muzzleloading guns have helped a modern generation recapture and enjoy an important aspect of our nation's sporting past. Traditions™ muzzleloaders represent the latest developments in this unique part of the shooting sports. They are manufactured to modern standards for safe and enjoyable shooting. This booklet is intended as a basic guide for the proper maintenance, loading and shooting of Traditions™ muzzleloaders, and it offers important rules and precautions for safe handling and shooting of this type of firearm. In addition to this booklet, it is recommended that the novice obtain further information and instruction before firing a muzzleloader.

### **Sources for this help include:**

1. National Muzzle Loading Rifle Association
2. National Rifle Association
3. Your town clerk, local sporting goods dealer, state DEP or conservation department
4. Contact your local muzzleloader or hunting club

## **WARNING!**

**YOU MUST READ THESE INSTRUCTIONS AND WARNINGS CAREFULLY. BE SURE THAT YOU UNDERSTAND THESE INSTRUCTIONS AND WARNINGS BEFORE USING THIS OR ANY TRADITIONS™ FIREARM. FAILURE TO READ THESE INSTRUCTIONS AND TO FOLLOW THESE WARNINGS PROPERLY MAY RESULT IN SERIOUS INJURY OR DEATH TO YOU AND OTHERS AND DAMAGE TO PROPERTY.**

**This SAFETY & INSTRUCTION MANUAL should always accompany this firearm and be transferred with it upon change of ownership or when the firearm is presented to another person.**

**Always keep your firearm pointed in a safe direction with your finger off the trigger until you are ready to fire. Never point a firearm at anything you do not intend to shoot and always be sure of what is beyond your target.**

**If you don't have a manual, a printed copy is available free upon request by contacting Traditions™ at the address below. A manual is also available via download at [www.traditionsfirearms.com](http://www.traditionsfirearms.com)**

**• CUSTOMER SUPPORT •  
Traditions Performance Firearms™  
1375 Boston Post Road  
P.O. Box 776  
Old Saybrook, CT 06475  
(860) 388-4656  
[www.traditionsfirearms.com](http://www.traditionsfirearms.com)**

## TABLE OF CONTENTS

1. YOUR SAFETY RESPONSIBILITIES.....	5
2. SAFE STORAGE & TRANSPORTATION.....	10
3. SAFETY RULES FOR YOUR TRADITIONS™ MUZZLELOADER.....	12
4. LEARNING THE BASICS OF THE VORTEK STRIKERFIRE™.....	15
5. FUNCTION TEST FOR THE VORTEK STRIKERFIRE™.....	18
6. INTIAL CLEANING.....	20
7. BASIC EQUIPMENT FOR SHOOTING THE VORTEK STRIKERFIRE™.....	22
8. SAFETY PREPARATION FOR FIRING.....	22
9. CHARGING YOUR TRADITIONS™ VORTEK STRIKERFIRE™.....	24
10. PRIMING THE TRADITIONS™ VORTEK STRIKERFIRE™.....	30
11. FIRING THE TRADITIONS™ VORTEK STRIKERFIRE™.....	31
12. DEPRIMING YOUR MUZZLELOADER AFTER FIRING.....	32
13. MISFIRES & HANGFIRES.....	32
14. UNLOADING AND UNCHARGING YOUR RIFLE..	34
15. CLEANING & MAINTENANCE.....	35
16. SIGHTING IN & SCOPE MOUNTING.....	46
17. INFORMATION ON BLACK POWDER & BLACK POWDER SUBSTITUTES.....	47
18. SUGGESTED LOADS FOR VORTEK STRIKERFIRE™.....	51
19. WARRANTY & SERVICE.....	54

# **1. YOUR SAFETY RESPONSIBILITIES**

## **SAFETY IS YOUR NUMBER ONE RESPONSIBILITY!!!!**

No matter if you are at home, in the field, at the range, or anywhere; your primary concern as a firearm owner must always be safety. You must always apply the following safety rules in every situation with any kind of firearm regardless of setting. If you feel unsure about any aspect of your firearm or its operation, please contact Traditions™ before using it.

**WARNING: YOU MUST FOLLOW ALL OF THESE SAFETY RULES TO ENSURE THE SAFE USE OF YOUR FIREARM. THE FAILURE TO FOLLOW THE INSTRUCTIONS AND WARNINGS IN THIS MANUAL COULD CAUSE SERIOUS PERSONAL INJURY OR DEATH TO YOU OR OTHERS AND DAMAGE TO PROPERTY.**

When you become a firearm owner, you take on a serious and demanding responsibility. How seriously you take this responsibility can be the difference between life and death. There is no excuse for reckless or abusive handling of your firearm. At all times you must handle your firearm with an intense respect for its power and potential danger.

**SAFE FIREARMS HANDLING IS YOUR PERSONAL RESPONSIBILITY ALWAYS.** Firearms have the potential to be dangerous resulting in serious injury or death if they are misused or handled inappropriately. Safety must always be the primary concern of anyone who owns or handles firearms. Accidents are the result of violating the rules of safe firearm handling. Professional firearm safety training is available to supplement the safety instruction in this manual. Some examples organizations to contact are your local firearms dealer, state conservation department, hunter safety department, law enforcement agency, local sportsman's club, the National Rifle Association (NRA) for availability of firearms training.

**FIREARM SECURITY IS YOUR PERSONAL RESPONSIBILITY. ALWAYS SAFELY STORE AND SECURE YOUR FIREARM.** You must ensure that your firearms are securely and safely stored so that children and/or unauthorized users may not obtain them. Your firearms should always be kept unloaded and locked when not in use or in your immediate control. Never assume that the use of a lock alone is sufficient to safely secure your firearm. You must continually evaluate your personal situation and employ security systems that prevent children and unauthorized users from gaining access to your firearm.

**YOU ARE RESPONSIBLE FOR THIS AND ALL YOUR FIREARMS AT ALL TIMES.** In owning a firearm, you have a constant responsibility for your firearm's safety and security. You must always protect yourself and all others against injury or death from misuse of the firearm 24 hours a day, 7 days a week, 365 days a year. This responsibility is not something you can ever be neglectful of maintaining.

**ALWAYS TREAT EVERY FIREARM AS IF IT IS LOADED AND WILL FIRE.** Never assume or take anyone's word that the firearm is uncharged or unprimed – you must always physically check for yourself. Never pass a loaded firearm to another person. You must first open the action and then visually check that it is uncharged and unprimed before passing the firearm to another person. Keep your muzzleloading firearm uncharged, unprimed, and safely stored when not in use.

**NEVER PLACE YOUR FINGER INSIDE THE TRIGGER GUARD OR ON THE TRIGGER UNLESS YOU INTEND TO FIRE.** Always keep your finger off the trigger until your sights are on target and you are prepared to fire. Also make sure that other objects do not touch the trigger at anytime.

**ALWAYS KEEP YOUR FIREARM POINTED IN A SAFE DIRECTION.** Never point the muzzle of a firearm at anyone or anything you do not intend to shoot whether or not it is loaded. This is especially important when loading, unloading, or field stripping the gun. ALWAYS control the direction of the firearm.

**ALWAYS BE SURE OF YOUR TARGET AND WHAT IS BEYOND IT.** Always know where a bullet you fire will hit and shoot only where there is a safe back stop free of any obstructions. Bullets can bounce or ricochet off many surfaces like rocks or the surface of water and travel in unpredictable directions with considerable velocity creating dangerous situations. NEVER fire randomly into the sky.

**NEVER CROSS ANY OBSTACLES SUCH AS FENCES OR STREAMS WITH A CHARGED OR PRIMED MUZZLELOADING FIREARM.** Always make sure your muzzleloading firearm is unprimed or unloaded before crossing a fence, climbing a tree, jumping a ditch or negotiating any other obstacles.

**WARNING! ALWAYS REMOVE THE PRIMER OR PERCUSSION/MUSKET CAP FROM THE BREECH PLUG OR NIPPLE BEFORE YOU CLIMB TO OR DESCEND FROM A TREE STAND. NEVER RAISE OR LOWER A PRIMED MUZZLELOADING FIREARM TO OR FROM A TREE STAND.** Failure to follow this rule may cause serious injury and/or death to the shooter or bystanders and damage to property.

**NEVER LEAN A CHARGED AND PRIMED RIFLE AGAINST A TREE, A WALL OR ANY SURFACE WHERE IT MAY FALL OVER.**

Once a rifle has been charged and primed it is your responsibility to protect against any situation that may result in an accidental discharge. Failure to follow this rule may cause serious injury and/or death to the shooter or bystanders and damage to property.

**APPROPRIATE USE FOR YOUR FIREARM MEANS USING YOUR FIREARM FOR LEGAL PURPOSES.** It is your responsibility to ensure that you are in compliance with all applicable Federal, State, and Local laws and ordinances regarding the use of your firearm where you intend to use it.

**NEVER SOLEY RELY ON MECHANICAL FEATURES SUCH AS A SAFETY.** Mechanical features such as safeties can fail and should never be exclusively relied upon with disregard to proper safe firearms handling. Only by following the safe firearm-handling procedures in this manual will the safe use of your firearm be assured. You are responsible for always following these safe firearm handling rules.

**NEVER KEEP AMMUNITION AND LOADING COMPONENTS IN THE SAME LOCATION AS THE FIREARM.** Store each in a separate and secure place to avoid children or unauthorized users from obtaining them.

**ALWAYS WEAR EYE AND EAR PROTECTION THAT ARE SPECIFIED FOR USE WITH FIREARMS** every time you handle your firearm for loading, firing, cleaning, or maintenance. Make sure that all bystanders where you will be shooting are also wearing the proper eye and ear protection.

**NEVER UNDER ANY CIRCUMSTANCES USE ALCOHOL OR DRUGS BEFORE OR WHILE SHOOTING.** In addition do not use your firearm if you are on any medication which impairs, even slightly, your mental or physical ability. You should also not use your firearm if you are excessively tired, distracted, or impaired in any way. You need to be alert and have your full attention devoted to the safe use of the firearm.

**ALWAYS HAVE ADEQUATE VENTILATION WHEN DISCHARGING A FIREARM.** Discharging a firearm in poorly ventilated areas, cleaning firearms, or handling ammunition and loading components may result in exposure to lead and other substances known to cause birth defects, reproductive harm, and other serious physical injury. Review the warnings and labels for all ammunition, loading components, and cleaning products carefully. Wash hands thoroughly after exposure.

**BEFORE HANDLING ANY FIREARM, UNDERSTAND ITS OPERATION.** Not all firearms are the same and some have features and mechanical operation unique to that specific firearm. Before using a firearm you should learn the mechanical features of that specific firearm you intend to use. If you feel unsure about any operational aspects of this firearm, please contact Traditions™ before proceeding with its operation.

**NEVER ALLOW THIS FIREARM TO BE USED BY ANYONE WHO DOES NOT UNDERSTAND ITS SAFE OPERATION OR HAS NOT READ THIS MANUAL IN ITS ENTIRETY.**

**ALWAYS USE THE CORRECT COMBINATION OF MUZZLELOADING APPROVED LOAD COMPONENTS FOR YOUR PARTICULAR MUZZLELOADING FIREARM** as detailed in this manual.

**MAKE CERTAIN THE BARREL IS CLEAR OF ANY OBSTRUCTIONS BEFORE SHOOTING.** Dirt, water, snow or other objects may inadvertently become lodged in the bore of the barrel. A small obstruction can cause a dangerous increase in pressure and may damage your firearm and cause injury to yourself and others. Refer to the field cleaning section of this manual if you discover any obstructions in the barrel for instructions on how to remove it.

**MAKE SURE THAT ALL ACCESSORIES, SUCH AS HOLSTERS, GRIPS, SLINGS, SCOPES AND ANY OTHER ACCESSORIES ARE COMPATIBLE** with the firearm and that they do not interfere with the safe operation of the firearm. It is your responsibility to understand and follow all of the instructions in this manual, as well as those which may be supplied with your ammunition and loading components and any accessory and how they all relate to each other.

**NEVER DISASSEMBLE YOUR FIREARM** beyond the instructions outlined in this manual. Improper disassembly or re-assembly of your firearm may create a dangerous situation which can lead to serious injury or death to you or others or also the destruction of property.

**NEVER MANIPULATE, ADJUST OR ALTER ANY OF THE INTERNAL COMPONENTS OF YOUR FIREARM.** Improper manipulation or alteration of any internal component may affect the safety and reliability of your firearm and create a situation where serious injury or death could occur. In addition do not add or replace any of the parts in your rifle unless they are genuine Traditions™ parts and you properly follow the instructions provided by Traditions™. The use of non-Traditions™ parts will void all warranties. Any alteration or replacement of parts in your Traditions™ firearm unless performed by a qualified gunsmith using genuine Traditions™ parts. If you do otherwise, improper functioning of your firearm may occur and serious injury or death and damage to property may result.



**USE TRADITIONS™ SCOPE MOUNTS ONLY.** All current Traditions™ rifles come drilled and tapped for use with scopes. Traditions™ offers a wide variety of scopes, scope mounts, and rings in varying sizes and finishes to suit your needs. When mounting a scope use only Traditions™ mounts to ensure proper fit and function. Traditions™ mounts are specifically made to fit these predrilled existing holes in your firearm.

**WARNING: DO NOT DRILL HOLES IN THE BARREL AS THIS COULD WEAKEN THE BARREL STRUCTURE LEADING TO A RUPTURE. A RUPTURED BARREL CAN CAUSE SERIOUS INJURY AND/OR DEATH TO THE SHOOTER OR BYSTANDERS AND DAMAGE TO PROPERTY. DRILLING HOLES IN THE BARREL ALSO VOIDS ALL WARRANTIES.**

**WARNING: THE SAFE USE OF A FIREARM IS YOUR CONSTANT PERSONAL RESPONSIBILITY AND THE FAILURE TO FOLLOW ALL OF THESE BASIC SAFETY RULES OUTLINED IN THIS MANUAL MAY RESULT IN SEVERE PERSONAL INJURY OR DEATH TO YOU OR OTHERS AND DAMAGE TO PROPERTY. YOU ARE THE MOST CRUCIAL PART OF FIREARMS SAFETY WHEN IT COMES TO THE USE OF YOUR FIREARM AND TRADITIONS™ WILL NOT BE RESPONSIBLE FOR ANY PERSONAL INJURY, DEATH OR PROPERTY DAMAGE THAT RESULTS FROM: (1) THE CRIMINAL OR NEGLIGENT USE OF THIS FIREARM; (2) A DISREGARD OF THESE SAFETY INSTRUCTIONS AND WARNINGS; (3) IMPROPER OR CARELESS HANDLING OF THIS FIREARM; (4) THE USE OF NON-STANDARD, DEFECTIVE, IMPROPER LOAD COMPONENTS, OR (5) IMPROPER OR NEGLIGENT MODIFICATIONS OR REPAIRS TO THE FIREARM.**

## **2. SAFE STORAGE & TRANSPORTATION**

**WARNING: ALWAYS HAVE THE MUZZLE OF THE FIREARM POINTED IN A SAFE DIRECTION AT ALL TIMES.**

**WARNING: FIREARMS ARE DANGEROUS IF THEY ARE USED AND/OR STORED IMPROPERLY. THEY POSE A RISK OF SERIOUS OR FATAL INJURIES. FIREARMS CAN BE ESPECIALLY DANGEROUS TO CHILDREN WHEN THEY ARE STORED IN AN IRRESPONSIBLE AND UNSAFE MANNER. FOR YOUR SAFETY AND THE SAFETY OF OTHERS, IT IS IMPERATIVE THAT YOU KEEP YOUR FIREARM LOCKED AND UNLOADED IN A SECURE PLACE. THE AMMUNITION AND LOADING COMPONENTS SHOULD BE STORED IN A SEPARATE, SECURE LOCATION WHEN IT IS NOT IN USE. SAFE AND SECURE STORAGE OF YOUR FIREARM IS ONE OF THE MOST IMPORTANT RULES OF FIREARM SAFETY. YOUR FAILURE TO FOLLOW THESE RULES MAY RESULT IN SERIOUS INJURY OR DEATH TO YOU OR OTHERS.**

**ALWAYS SECURE YOUR FIREARM IN A MANNER THAT WILL PREVENT UNAUTHORIZED ACCESS.** Whenever you are not using your firearm it should be kept unloaded and locked. Your own safety and the safety of others demands that you always secure and store your firearm in a way that will prevent unauthorized access. Never leave a firearm unattended unless it is unloaded, locked, and secured.

**WARNING: NEVER LOCK A LOADED FIREARM AND NEVER LOAD A LOCKED FIREARM!!**

**ALWAYS STORE YOUR FIREARM AND AMMUNITION AND LOADING COMPONENTS SEPARATELY** so that they are not accessible to children or other unauthorized persons. Safe and secure storage of your firearm, ammunition, and loading components is your responsibility.

**NEVER ASSUME THAT A “SECRET LOCATION” or “HIDING PLACE” IS A SECURE STORAGE METHOD.** Without your knowledge others, such as children, may be aware of your storage location or they may find it by accident. It is your important personal responsibility to properly store your firearms, ammunition, and loading components and to always make sure they are not accessible to children or other unauthorized persons.

**NEVER TRANSPORT A CHARGED OR PRIMED MUZZLELOADING FIREARM.** When transporting your firearm it must be uncharged, unprimed and securely locked. Safe and secure transportation of your firearm is another important aspect of your responsibility as a firearm owner.

**NEVER STORE A CHARGED OR PRIMED MUZZLELOADING FIREARM.** When storing your firearm it must be uncharged, unprimed and securely locked. Safe and secure storage of your firearm is one of your most important responsibilities as a firearm owner.

**ALWAYS FOLLOW THE LAW!** In many states and local municipalities there are laws and regulations that make it a crime to keep a firearm unlocked in an area that is accessible to children or others. Keeping a firearm locked and unloaded when not in use is not only a common sense safety practice... IT IS THE LAW. You must be familiar with all local, state, and federal laws regarding the safe storage and transportation of your firearm. Failure to know and follow the law may result in unauthorized access or use of your firearm by another for which you may be held accountable. Obey all laws relating to the storage and transportation of firearms. Your local police department or gun shop can provide you with the pertinent information for where you live on storing and/or transporting a firearm safely and legally.

**YOUR FIREARM IS YOUR CONSTANT RESPONSIBILITY.** You must always make sure to prevent your firearm from being stolen or from being used by untrained or unqualified individuals. To prevent this always keep it locked, uncharged, unprimed and secured when not in use by you.

### **3. SAFETY RULES FOR YOUR TRADITIONS™ MUZZLELOADER**

In addition to the general Firearm Safety Responsibilities covered so far in this manual, there are additional guidelines specific to black powder muzzleloading firearms that must be adhered to at all times to ensure the safety of the shooter and others.

**NEVER UNDER ANY CIRCUMSTANCE USE SMOKELESS POWDER OF ANY TYPE OR IN ANY QUANTITY IN A MUZZLELOADING FIREARM, AND NEVER MIX POWDERS.** The use of any smokeless powder at all could result in a detonation or explosion which could cause injury and/or death to the shooter or bystanders and damage to property.

**NEVER USE ANY POWDER THAT YOU CANNOT POSITIVELY IDENTIFY.** The use of any mislabeled or unknown powder could result in injury and/or death to the shooter or bystanders and damage to property.

**USE ONLY BLACK POWDER OR AN APPROVED BLACK POWDER SUBSTITUTE IN YOUR TRADITIONS™ MUZZLELOADING FIREARM.** Never use even small amounts of smokeless powder, even if it may be black in color. The use of any propellant other than black powder or approved black powder substitute may cause injury or death to the shooter or bystanders and damage to property.

**UNDERSTAND THE TERMINOLOGY REGARDING LOADING.** When speaking of a muzzleloading firearm “Charge” or “Charged” refers to the presence of a propellant powder charge and projectile in the bore of the firearm

“Uncharge” or “Uncharged” indicates that the powder charge and projectile have been either fired or removed and that the bore is completely clear.

“Prime” or “Primed” applies to the act of placing a primer, cap, or priming powder in or on a muzzleloader.

“Unprime” or “Unprimed” indicates that the primer, cap, or priming powder has been removed from the firearm or is not in place.

**NEVER SMOKE OR ALLOW BYSTANDERS TO SMOKE WHILE USING YOUR MUZZLELOADER.** The spark from a lighted cigarette, cigar, or pipe can ignite Black Powder or a Black Powder substitute, Percussion Caps, or Primers. Smoking around a charged and/or

primed muzzleloader, percussion caps, primers, priming powder or supply of powder may cause premature firing of the firearm or an explosion of the powder can, horn, or flask causing serious injury and/or death to the shooter or bystanders and damage to property.

**DO NOT LOAD A MUZZLELOADER WHICH IS HOT FROM PREVIOUS FIRING.** ALWAYS ALLOW THE BARREL TO COOL BEFORE YOU BEGIN RELOADING YOUR MUZZLELOADING FIREARM

**BEFORE YOU BEGIN LOADING, MAKE SURE YOUR MUZZLELOADING FIREARM IS NOT ALREADY CHARGED.** To make sure the firearm is uncharged, keep the muzzle pointed in a safe direction and insert the ramrod provided with the firearm into the bore. If the ramrod sits approximately  $\frac{3}{4}$ " below the muzzle then the firearm is not charged, while if the end of the ramrod extends past the muzzle then it is charged and you will need to remove the charge.

**WHEN LOADING, MAKE SURE THAT THE PROJECTILE IS FIRMLY SEATED AGAINST THE POWDER CHARGE.** Serious personal injury or death can result if the projectile is not seated properly against the powder charge. To create a simple way to check this when loading is after you have fully seated a projectile against a powder charge mark the ramrod as a point of reference for a properly seated projectile.

**NEVER EXCEED THE RECOMMENDED MAXIMUM BLACK POWDER OR BLACK POWDER SUBSTITUTE CHARGE LISTED IN THIS BOOK.** If the recommended maximum charge is exceeded then injury or death to the shooter or bystanders can occur.

**NEVER POUND ON THE RAMROD WHEN LOADING.** Black powder and/or approved black powder substitutes are potentially sensitive to impact and could ignite from the impact of pounding on the ramrod. Always be sure to keep the muzzle pointed away from your face or body when loading. Place your fingers and hand around the ramrod, and not over the end of the ramrod when seating projectile for safety.

**BLACK POWDER AND BLACK POWDER SUBSTITUTES ARE CORROSIVE BY NATURE AND LEAVE RESIDUES IN THE BORE AND ON THE FIREARM THAT REQUIRE IMMEDIATE CLEANING.** A quick field cleaning should be performed just after you complete firing at the range or hunting. A thorough in depth cleaning is required before the storage for any amount of time to keep the firearm functioning properly and in a safe condition. Failure to properly clean the firearm may prevent the firearm from functioning safely and correctly and may result in injury or death to the shooter or others or damage to property.

**NEVER PRIME YOUR MUZZLELOADING FIREARM UNTIL YOU ARE READY TO FIRE IT.** Your muzzleloader should remain unprimed until the instant before firing. After you prime the firearm, your full attention should be on the target and firing of the firearm.

**NEVER PASS A CHARGED MUZZLELOADING FIREARM TO ANOTHER PERSON.** Once charged, a muzzleloading firearm requires your complete attention. Never charge the firearm and then hand it to another shooter. You should also never shoot a muzzleloading firearm that was charged by someone else. Only the person who actually performed the loading knows whether the firearm has been charged properly and should fire it.

**BEFORE YOU ACCEPT A MUZZLELOADING FIREARM FROM SOMEONE, CONFIRM FOR YOURSELF THAT IT IS UNPRIMED AND UNCHARGED.** Treat all firearms as if they are loaded and will fire.

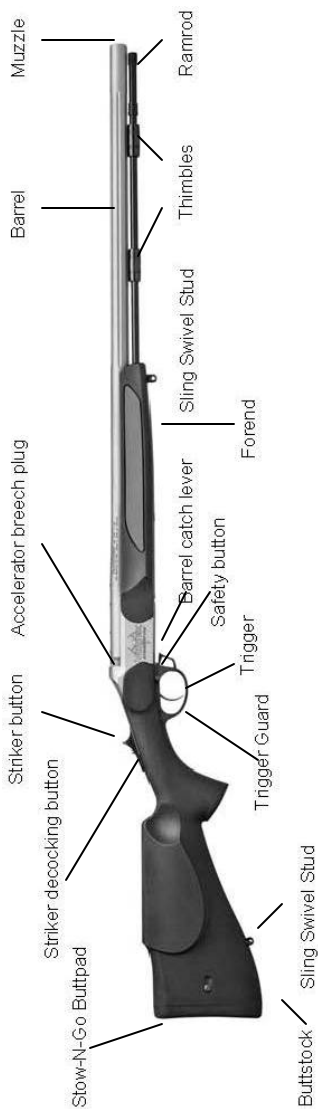
**NEVER CHARGE YOUR MUZZLELOADER DIRECTLY FROM A CAN, HORN OR FLASK.** A spark from a previous firing may ignite the stream of powder being poured into the firearm and cause the container to explode. The explosion of a powder can, horn or flask may cause serious injury and/or death to the shooter or bystanders and damage to property. Use a separate pre-calibrated measuring device containing small quantities of powder to charge your firearm. Keep the muzzle directed away from your face and body when loading.

**WHILE SHOOTING ALWAYS KEEP SUPPLIES OF POWDER, PRIMERS AND CAPS WELL AWAY FROM YOUR FIRING POSITION OR SHOOTING BENCH.** A powder horn, flask, can of powder, or quantity of primers or caps can ignite with deadly force if exposed to sparks or intense heat. Follow the manufacturer's instructions for safe handling and storage of powder, primers, or caps. Keep unused powder, primers, or caps well away from firearms that are being discharged. Sparks from the discharge of a muzzleloading firearm may cause the unused supply of powder, primers, or caps to ignite causing serious injury and/or death to the shooter or bystanders and damage to property.

**WARNING: NEVER RELY ON MECHANICAL FEATURES ALONE. MECHANICAL FEATURES CAN FAIL AND SHOULD NEVER BE EXCLUSIVELY RELIED UPON. ONLY YOUR CONSTANT SAFE FIREARM HANDLING WILL ENSURE THE SAFE USE OF YOUR FIREARM.**

You must follow these procedures every time a firearm leaves your hand, is cleaned, handed to you or another person, transported or stored.

## 4. LEARNING THE BASICS OF THE VORTEK STRIKERFIRE™



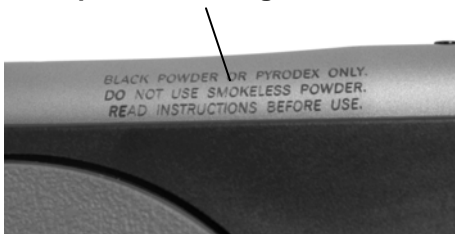
**Gun Model designation on frame**



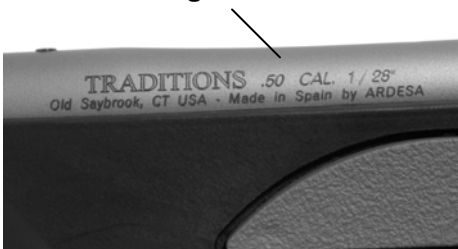
**Serial number marking on frame**



**Propellant marking on barrel**



**Caliber designation on barrel**





**Striker button in the “at rest” and de-cocked position**



**Striker button in the cocked and ready to fire position**



## **SAFETIES INCLUDED WITH THE VORTEK STRIKERFIRE™**

Your Traditions™ Vortek Strikerfire™ break-action muzzleloader comes equipped with dual safeties.

The first safety is an internal striker block safety that blocks the striker from being released and hitting the primer unless the trigger has been pulled. This prevents the striker from hitting the primer in the case of a drop or sudden impact.

The second safety is an ambidextrous mechanical trigger block safety that prevents the trigger from being pulled back and allowing the sear to become disengaged. The rifle can be cocked and also de-cocked with the trigger block safety engaged.



Trigger block safety disengaged, red ring is visible.



Trigger block safety engaged, “safe”, no red ring is visible.

## **5. FUNCTION TEST FOR THE VORTEK STRIKERFIRE™**

**WARNING: ALWAYS POINT THE MUZZLE IN A SAFE DIRECTION AND TREAT THE FIREARM AS IF IT WAS LOADED AND CAN FIRE.**

**WARNING: CONFIRM THE FIREARM IS UNCHARGED AND UNPRIMED BEFORE CONDUCTING ANY OF THE FUNCTION TESTS.**

Now that you are familiar with the parts of the Vortek StrikerFire™ a function test can be performed on the rifle to ensure that all parts are operating as intended. This function test should also be performed after anytime you have disassembled the rifle for cleaning or any maintenance.

### **Function testing the action**

1. Open the action by pressing on the barrel catch lever which will then allow the action to pivot open.



2. Close the action by pivoting the opposite way from when you opened the action waiting to hear a metallic click indicating the action is locked.



## Function testing the Vortek StrikerFire™ system

1. Push forward on the striker button until it locks forward in the cocked position. You should hear an audible click when it locks into the cocked position and a red line should be visible in the striker button channel.



2. Press down on the striker de-cocking button on the top of the striker button to de-cock the striker. When you press down on this button the striker button should return to its at rest position and the red line in the striker button channel should not be visible.



3. Press forward on the striker button to cock the rifle as you did in Step 1 but this time to de-cock pull on the barrel catch lever. When you pull on the barrel catch lever when the striker is cocked, the striker will de-cock and the button will return to its at rest de-cocked position.



**CAUTION: IF THE STRIKER BUTTON DOES NOT RETURN TO IT'S "AT REST" DE-COCKED POSITION THEN THE RIFLE IS NOT FUNCTIONING PROPERLY AND YOU NEED TO ADDRESS THIS BEFORE CONTINUING WITH THIS FUNCTION TEST. PLEASE REFER TO SECTION 15 ON CLEANING AND MAINTENANCE.**

## **Function testing the trigger system**

1. Press forward on the striker button to cock the rifle.
2. Press the safety button ensuring you feel it lock into place and hear a metallic click. There should be no red ring visible when the safety is engaged.
3. Pulling on the trigger you should feel the resistance of the safety and should not hear the striker firing.
4. Press on the opposite side of the safety button till you feel it lock into place and hear a metallic click. You should now be able to see a visible red ring on the safety button indicating the rifle is ready to fire.
5. Pull on the trigger till you hear the striker fire and the trigger travels to the rear of the trigger guard.
6. Pull on the barrel catch lever which should release the striker button which will then return to it's at rest de-cocked position. You may also press on the striker de-cocking button.

## **6. INITIAL CLEANING**

**NOTE: BEFORE YOUR INITIAL USE, PLEASE CLEAN & LUBRICATE YOUR MUZZLELOADER!**

These are brief instructions on what to do before you use your muzzleloader for the first time. Please review the disassembly instructions in Section 15 for the complete set of cleaning instructions. When you first remove the new muzzleloader from the box there will be some manufacturing oils and grease for shipping purposes. These residues need to be removed so that the muzzleloader will function properly.

**WARNING: Make sure the firearm is unloaded with the safety in the "safe" position.**

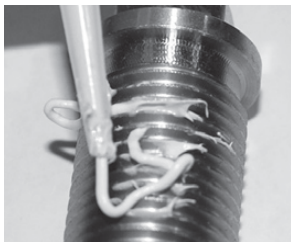
1. Open the action by pulling on the barrel catch lever which will then allow the action to pivot open.
2. Unscrew and remove the Accelerator breech plug™ by using your fingers or the breech plug wrench supplied with the muzzleloader. Then close the action.



**Note: If using the Northwest Edition model you will have to use the supplied wrench to remove the breech plug, refer to Section 15 on instructions of how to do perform this step.**

3. Remove the ramrod from the thimbles.
4. With the action closed, unscrew the forend screw using the supplied 4mm wrench and remove the forend from the barrel.
5. Remove the barrel from the receiver by pushing the barrel catch lever in. When the action starts to open lift the barrel up and out of the receiver. Clean all items with hot, soapy water or muzzleloader bore solvent such as Traditions™ EZ Clean™. This will remove any manufacturing residue that may be on the inside or outside of the barrel.
6. Dry all of the parts completely.
7. Apply a light coat of Traditions™ EZ Clean™ solvent to a dry patch (or use Traditions pre-soaked EZ Clean™ patches) and run up & down the bore, then use Traditions™ Wonderlube™ prelubed patches to “season” the lands & grooves of the rifling before loading. This will allow for easier loading and cleaning throughout your shooting sessions.

8. Generously lubricate the threads of the breech plug with Traditions™ breech plug grease. Be careful to not get any grease inside the breech plug.



9. Now reassemble your firearm.

### **A Note about maintenance procedures:**

Proper maintenance and cleaning of your new muzzleloader will require you to remove the barrel from the receiver. You must clean the muzzleloader each time it is used.

Please refer to Section 15 Cleaning & Maintenance section for more information. Take time before such cleaning to study the Disassembly/Assembly procedures and the accompanying photographs to thoroughly acquaint yourself with your rifle's subassemblies.

## **7. BASIC EQUIPMENT FOR SHOOTING THE VORTEK STRIKERFIRE™**

In order to shoot your Traditions™ muzzleloader, you will need the following accessories or equipment listed below:

**WARNING: DO NOT ATTEMPT TO SHOOT OR LOAD YOUR MUZZLELOADING FIREARM UNTIL YOU HAVE READ THIS MANUAL COMPLETELY AND FULLY UNDERSTAND IT. FAILURE TO READ AND FOLLOW THESE INSTRUCTIONS COULD RESULT IN INJURY AND/OR DEATH TO THE SHOOTER OR BYSTANDERS AND DAMAGE TO PROPERTY. IF YOU ARE UNABLE TO UNDERSTAND ANY OR ALL OF THIS MANUAL, CALL THE CUSTOMER SERVICE DEPARTMENT AT TRADITIONS™.**

1. Proper eye protection specified for use with firearms.
2. Proper ear protection specified for use with firearms.
3. Black powder or an approved black powder substitute in the appropriate type for your firearm.
4. A powder measure.
5. Projectiles appropriate for your firearm such as Traditions™ Smackdown bullets
6. 209 Primers or Musket Caps if using Northwest Magnum model.
7. Bore cleaning patches.
8. A jag to hold cleaning patches.
9. An appropriate bore cleaner for muzzleloaders (like EZ Clean™).
10. An appropriate oil or rust inhibiting lubricant (like Wonderlube™).

**Note:** While not required, a Traditions™ range rod will make loading and cleaning easier and is recommended.

## **8. SAFETY PREPARATIONS FOR FIRING**

**WARNING: THE FAILURE TO FOLLOW THESE FIREARM SAFETY REQUIREMENTS MAY CAUSE SERIOUS PERSONAL INJURY OR DEATH TO YOU OR OTHERS.**

**ALWAYS TREAT ANY FIREARM AS IF IT IS LOADED AND WILL FIRE IF THE TRIGGER IS PULLED AT ANY TIME. KEEP YOUR FINGER OUT OF THE TRIGGER GUARD AND OFF THE TRIGGER.**

**ALWAYS WEAR ADEQUATE AND PROPER EAR PROTECTION SPECIFIED FOR FIREARM USE** to prevent permanent damage to your hearing. Make sure any and all bystanders that are nearby are wearing ear protection as well.

**ALWAYS WEAR PROPER EYE PROTECTION SPECIFIED FOR FIREARM USE.** Regardless of whether you are outdoors or indoors you must always wear proper eye protection as it will protect your eyes from debris and particles that are associated with the firing of a muzzleloader. Failure to wear proper eye protection puts you and any bystanders at risk of personal injury from particle or debris spitting or ricochets.

**ALWAYS WEAR PROPER CLOTHING WHEN FIRING A MUZZLELOADER.** Wearing long sleeves and pants is recommended to protect arms from any debris or particles that may be ejected during firing.

**NEVER USE ANY ALCOHOL OR DRUGS OR MEDICATIONS THAT IMPAIR YOUR ABILITIES BEFORE OR WHILE SHOOTING OR HANDLING ANY FIREARM.**

**ALWAYS BE ALERT AND AWARE OF YOUR SURROUNDINGS WHEN FIRING. IF SHOOTING AT A RANGE, ALWAYS FOLLOW THE SAFETY INSTRUCTIONS OF THE RANGE OFFICER.** Never shoot if you are tired, cold or impaired in any way.

**ALWAYS BE AWARE OF OTHER PEOPLE** in the area so that no one inadvertently walks into your line of fire.

**NEVER SHOOT AT HARD SURFACES, WATER OR RANDOMLY INTO THE SKY.** Always select a place to shoot that has a safe backstop and is free from obstructions and surfaces which cause ricochets.

**NEVER SMOKE OR ALLOW ANY BYSTANDERS TO SMOKE WHILE SHOOTING OR HANDLING A MUZZLELOADING FIREARM.**

**ALWAYS KEEP ALL POWDER AND LOADING COMPONENTS WELL AWAY FROM THE MUZZLELOADER WHEN FIRING.**

**WARNING: NEVER RELY ON MECHANICAL FEATURES ALONE. ONLY YOUR SAFE GUN HANDLING WILL ENSURE THE SAFE USE OF YOUR FIREARM. THIS IS YOUR RESPONSIBILITY.**

## **9. CHARGING YOUR TRADITIONS™** **VORTEK STRIKERFIRE™**

**WARNING: ALWAYS POINT THE MUZZLE IN A SAFE DIRECTION AND DO NOT HAVE ANY PART OF YOUR BODY OVER THE MUZZLE WHEN LOADING.**

### **PREPARING TO LOAD THE CHARGE:**

**WARNING: Wear proper eye protection for entire loading process.**

Prior to loading, you must first ensure that the gun is uncharged, unloaded, and the barrel is free of any obstructions.

The easiest way to achieve this is to remove the Accelerator Breech Plug™ and look down the barrel to see if there is a charge or any obstruction in the barrel.

You may also use the following instructions to ensure the gun is uncharged and unloaded.

1. Push safety button to “safe” so that no red ring is visible on the safety button
2. Remove ramrod from barrel thimbles
3. Unscrew Jag from ramrod and reverse 180 degrees so that concave (hollowed end) is exposed.
4. Re-thread Jag so that the concave (hollowed end) is out. This will make the ramrod longer and provide the proper length.
5. Insert the ramrod into the barrel. When it is touching the top of the breech plug it should sit approximately 3/4” below the muzzle.

**Note:** You should hear a metallic sound as the jag makes contact with the breech plug.

If the ramrod is not 3/4” below the muzzle and you do not hear the metallic sound then the barrel may be either obstructed or loaded. To remove the obstruction, remove the Accelerator Breech Plug™. Do not attempt to clear the barrel by firing. Before loading anything into the barrel, clean all oil and grease from inside the barrel. We recommend using Traditions™ cleaning products to enhance your accuracy and ease shooting & cleaning.



## **To test and clear the ignition channel follow these steps.**

Point the rifle down towards a safe area on the ground and load a primer into the 209 primer pocket of the breech plug or if using the Northwest Magnum model a musket cap onto the nipple. Fire one or two primers to blow out any oil or residue from the fire channel. Point the muzzle at a leaf or blade of grass to see if it moves. If it moves, you have a clear channel. If not, fire additional primers or check the breech plug for obstructions.

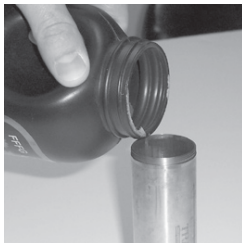
Another way to see if you have a clear fire channel is to screw a loading/cleaning jag on your ramrod and place a dry patch on the muzzle of your rifle. Push the patch down to the breech plug face and leave ramrod & patch in bore. Point rifle in a safe direction, place primer in nipple area of the breech plug and fire two primers. Remove ramrod from the bore and inspect patch. Patch should have a complete circular burn in middle. This tells you that you have a clear fire channel. Stand the butt of the rifle on the ground so that the muzzle is pointed up and away from you and others. Never work with your face or any part of your body over the muzzle, even when the gun is unloaded. Be sure that the firearm is unprimed and the safeties are engaged. Your rifle is now ready to be loaded.

## **LOADING THE CHARGE FOR MUZZLELOADING RIFLES:**

**Use only black powder or an approved black powder substitute. Follow the powder manufacturer's instructions when measuring any type of powder as not all powders are measured the same. Some are measured by weight and some by volume, and volumetric measuring can vary depending on the type and manufacturer of the powder. (Refer to Section 17 for more information on black powder and black powder substitutes)**

### **When loading loose powder:**

1. Fill your Traditions™ flask with Black Powder or Black Powder substitute of your choice.



2. Adjust your Traditions™ powder measure to the desired correct charge for the type of powder you are using based on the powder manufacturer's recommendations.



3. Pour powder from your Traditions™ flask into the desired powder charge. Pour powder from the powder measure down the barrel.



**Warning: Never load powder into a gun directly from a can, powder horn or flask. Always use a separate calibrated powder measuring device. A remaining spark or ember in the barrel may cause serious injury and/or death to you or bystanders and damage to property.**

4. Tap the side of the barrel to help settle the powder into the breech area.

### **When loading pelletized powder (Pellets):**

Drop the desired amount of pellets into the barrel with the igniter side down. Using a pipe cleaner to handle the pellets makes it easier to load and keeps oil from your hands off the pellet.



## **LOADING THE PROJECTILE:**

### **TRADITIONS™ SMACKDOWN SABOTED BULLETS:**

The plastic material used in our Traditions™ sabots is self-lubricating; therefore you do not need to pre-lube your bullets or sabots.

1. Insert the base of the bullet into the sabot, making certain the bullet is firmly & fully seated against the bottom of the sabot.



2. Place the assembled projectile into the muzzle.

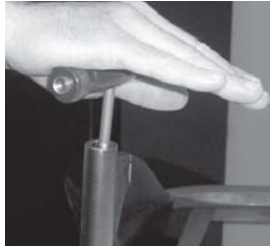


3. Start the projectile with your thumb.

4. Using a ball starter, place the short shaft on top of the bullet and push it downward until the starter hits the top of the muzzle.



5. Push the projectile deeper into the bore using the longer shaft of the ball starter until it hits the muzzle.



6. With the loading jag on your ramrod, position the ramrod on top of the bullet inside the bore. Holding the ramrod no further than 6" over the bore apply firm pressure downward until the bullet is seated against the powder. (Holding the ramrod any higher will increase your chances of breaking your ramrod.)

**Note: If you are using pelletized powder do not crush them when loading the bullet. Testing has shown that crushed or broken pellets will cause accuracy issues.**

7. With a clean barrel, after the bullet is seated fully against the powder charge, mark the ramrod at the muzzle. This will show you that each projectile is seated at the same depth each time. If you change the desired powder charge or projectile, you will need to change the mark and make a new one for the new charge.



8. Make sure you remove the ramrod from the barrel before priming and shooting the muzzleloader.

**IMPORTANT: ALWAYS SEAT THE BULLET FIRMLY ON TOP OF THE POWDER CHARGE. FAILURE TO DO SO MAY RESULT IN INJURY OR DEATH TO YOU AND/OR BYSTANDERS.**

## **TRADITIONS™ FULL BORE BULLETS:**

**Note: Full Bore bullets do not require any lube for loading.**

1. Place the projectile into the barrel using the ball starter and ramrod. Follow the same procedures as shown with the sabot bullet loading described previously.

**Note: Patches are not to be used with Full Bore bullets; these bullets are made to full bore size.**

It is critical that the Full Bore bullet is the correct size to your bore. It must fit fairly tight and require moderate pressure to seat on top of the powder. A loose fit could cause the projectile to separate from the powder, particularly if the gun is subjected to jarring or sharp movement before ignition.

## **CONICAL BULLETS:**

**Note: When using conical bullets or patched round ball, it is recommended to use loose powder only.**

1. Lubricate the projectile with Wonderlube™ 1000 Plus.

2. Place the projectile into the barrel using the ball starter and ramrod. Follow the same procedures as shown with the sabot bullet loading described previously.

**Note: Patches are not to be used with conical bullets; these bullets are made to full bore size.**

It is critical that the conical bullet is the correct size to your bore. It must fit fairly tight and require moderate pressure to seat on top of the powder. A loose fit could cause the projectile to separate from the powder, particularly if the gun is subjected to jarring or sharp movement before ignition.

## 10. PRIMING THE TRADITIONS™ VORTEK STRIKERFIRE™

**WARNING: DO NOT PRIME YOUR MUZZLELOADER UNTIL IMMEDIATELY BEFORE YOU ARE PREPARED TO FIRE.**

The 209 shotgun primer is very popular because of its features and benefits for superior ignition. The 209 shotgun primer is exactly as it is named, a shotgun primer, the same primer used in a shotgun shell. The 209 primer has three main benefits over the #11 cap and the musket cap.

First, the 209 primer is a hotter ignition than a #11 percussion or musket cap which provides a more reliable ignition. Second, the 209 primer is water-resistant which keeps water and moisture out for a sure-fire ignition when conditions are damp or rainy. Third, the 209 primer is larger than #11 or musket caps and can be handled easier. Your new break-open rifle uses a 209 primer. When priming your muzzleloader please follow these instructions. Only prime your muzzleloader after you have loaded the rifle and you are ready to shoot.

**Note: If using the Northwest Magnum model the rifle is designed for use with a musket cap only! Do not use a #11 percussion cap or 209 primer.**

1. Make sure that the manual safety on your muzzleloader is in the “safe” position.
2. Point the muzzleloader in a safe direction.
3. Keeping the muzzle pointed in a safe direction, open the action to expose the breech area. Using a 209 capper or your fingers, press the primer into the opening in the breech plug. Close the action of the muzzleloader.



**Note: If using the Northwest Magnum model use a musket capper to press the musket cap onto the nipple and make sure it is fully seated on the nipple.**

4. Your muzzleloader is now ready to fire.

## 11. FIRING THE TRADITIONS™ VORTEK STRIKERFIRE™

**WARNING: ALWAYS KEEP THE MUZZLE POINTED IN A SAFE DIRECTION AND BE SURE OF YOUR TARGET AND WHAT IS BEYOND IT.**

**WARNING: BE SURE TO WEAR PROPER EYE AND EAR PROTECTION ANYTIME YOU FIRE YOUR FIREARM. ALSO MAKE SURE ALL BYSTANDERS IN THE AREA ARE WEARING PROPER EYE AND EAR PROTECTION AS WELL.**

**WARNING: NEVER SOLELY RELY ON THE MECHANICAL SAFETY OF YOUR FIREARM FOR YOUR OR OTHER'S SAFETY. IT SHOULD NOT REPLACE PROPER SAFE FIREARM HANDLING PROCEDURES DESCRIBED IN THIS MANUAL.**

Now after following the previous instructions your muzzleloader is charged, primed, and ready to fire.

1. Grasp the rifle firmly with both hands with your finger off the trigger and out of the trigger guard.
2. Raise the rifle up and firmly pull the stock into your shoulder.
3. Acquire your target and aim at with your sights or scope. Remember to be sure of what is beyond your target as well.
4. Press forward on the striker button until it locks into the cocked position. You will hear an audible click and the button will stay forward exposing the red cocked indicator.



5. The rifle is now cocked and ready to fire.
6. Press the safety off.
7. Slowly squeeze the trigger until the rifle fires.

## 12. DEPRIMING YOUR MUZZLELOADER AFTER FIRING:

1. Press the barrel catch lever and open the action to expose primer.  
When you press the barrel catch lever the striker button will return to it's at rest de-cocked position.
2. Using either a de-priming tool or finger, remove the spent primer.

**Note: If using the Northwest Magnum model either use a de-priming tool or your fingers remove the musket cap from the nipple.**

## 13. MISFIRES & HANGFIRES

If after following the previous instructions the rifle did not fire then you have had a misfire or hangfire. Anyone involved with muzzleloading firearms may experience a misfire or hangfire at one time or another. The following are a few simple procedures that will help you to effectively manage such occurrences.

**WARNING: A MISFIRE OR HANGFIRE IS A DANGEROUS SITUATION AND IT IS IMPERATIVE YOU PROCEED WITH EXTREME CAUTION. AS YOU ALWAYS SHOULD DO, BUT ESPECIALLY IN THIS SITUATION, BE SURE TO KEEP THE FIREARM POINTED IN A SAFE DIRECTION AS IT MAY FIRE AT ANY TIME.**

### Misfire

A misfire is a failure of either the primer or the main charge to ignite. This could be a very hazardous situation.

**WARNING: Extreme caution should be exercised when dealing with a misfire.**

Rarely is a misfire the fault of the rifle. Generally, it can be attributed to a problem with the propellant or primer. Should your gun fail to fire for any reason, **keep the muzzle pointed at your down-range target for at least one minute with the action closed.** By doing so, you make sure you are prepared for the chance of a delayed ignition.

**If the musket cap or 209 primer did not fire:**

1. Check to make certain that a primer or musket cap was installed and is still securely positioned on the nipple or in 209 primer pocket of the breech plug.



2. Verify that the action is free of debris.

3. Try a new primer.

### **If the primer fires but the main charge does not:**

1. **Keep the muzzle pointed at your down-range target for at least one minute with the action closed.** Press the safety button to engage the trigger block safety. After waiting one minute, then remove the primer while still keeping the barrel pointed in a safe direction. Using a cleaning pick, verify that the hole in the breech plug or nipple is clear of any obstruction.

2. Tap the butt pad of the rifle with your hand to direct the powder into the ignition channel. If you are using pellets this process will not be helpful.

3. Verify that propellant was loaded under your projectile by running the ramrod down the muzzle and observing the measure marks on your ramrod. Use extreme caution to always keep the muzzle pointed in a safe direction.

4. Check for any mechanical defects in the breech area. If your gun has repeatedly failed to fire, you will need to unload the rifle. At this point a beginning shooter should seek assistance from an experienced shooter. Never leave an unfired charge in the barrel.

5. After verifying the above directions reprime the muzzleloader and fire.

## **Hangfire**

A hangfire is a delayed ignition. The primer fires when the trigger is pulled and the main charge fires a brief moment later. There are many reasons that hangfires occur. If you are experiencing hangfires, there are possible causes that you need to evaluate. Verify the following:

1. Verify that the primer is the correct size and properly fitted onto the nipple.

2. Inspect that the ignition channel is clear of obstructions.

3. Verify that the proper propellant is being used and that it is the proper granulation and is free from moisture, contamination and oils.

4. Check the condition of the primers and propellant powder. For hunting situations, it is a wise practice to use fresh primers and powder. Use a fresh load for each day's hunting.

# 14. UNLOADING AND UNCHARGING YOUR RIFLE

There are two different methods for removing the projectile and charge:

## Method 1

**Note: It is recommended to use either a Traditions™ range rod or ramrod extension for this method.**

1. Make sure the muzzle of the barrel is pointed in a safe direction at all times.
2. Open the action and carefully remove the primer from the breech plug or musket cap from nipple.
3. Using your fingers, rotate the Accelerator Breech Plug™ counterclockwise. Depending on the amount of shooting done you may have to use your spanner wrench to loosen the breech plug.  
**NOTE: If using Northwest Magnum model use the supplied wrench to remove the nipple and breech plug.**
4. Insert a ramrod or range rod into the muzzle and push the load out the breech end of the barrel.
5. Clean and wipe all surfaces to remove loose fouling and debris.

## Method 2

1. Open the gun and carefully remove the primer from the breech plug or musket cap from nipple.
2. Using a range/bench ramrod, with a ball puller screw in one end, insert the screw end into the muzzle until the screw makes contact with the projectile.
3. Apply pressure to the end of the ramrod while at the same time turning it, allowing the ball puller screw to bite into the projectile.
4. Continue turning the ramrod until you can determine that the ball puller screw is well anchored into the projectile.
5. Firmly grasp the exposed end of the ramrod with projectile attached, pull it through the barrel and out of the muzzle. One continuous non-stop pull is generally best.

**Note: When extracting sabot bullets the first few inches of the pull will separate the projectile from the plastic sabot. At this point the bullet will be free from the sabot and will come out easily. It will then be necessary to reinsert the ball puller screw back down the barrel and screw it into the plastic sabot and also pull it out.**

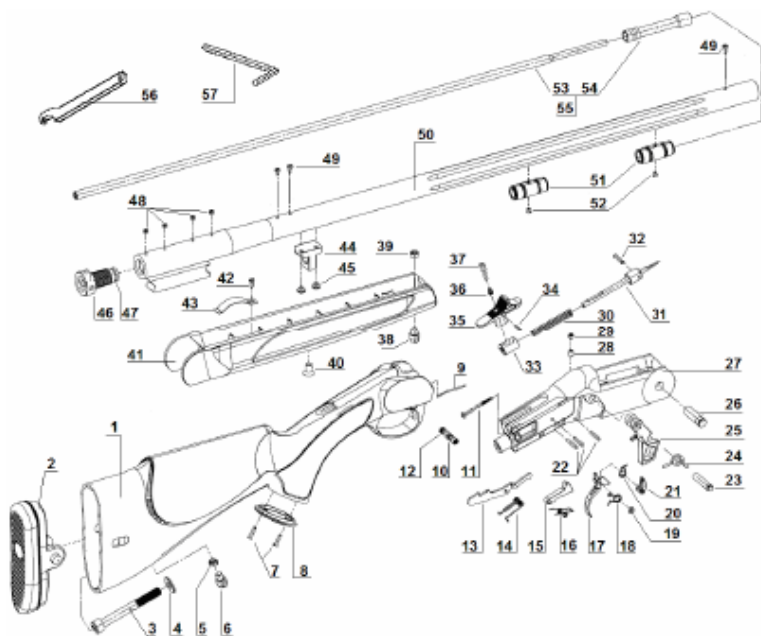
6. Remove powder, if any.
7. Clean and dry the bore of the barrel making sure the breech area is dry before reloading fresh powder.

## 15. CLEANING & MAINTENANCE

**WARNING:** Confirm there are no powder charges, primers or projectiles are present or available during any disassembly, reassembly, or function test procedures.

**Note:** Reference the exploded view diagram in this manual to help identify part names and numbers.

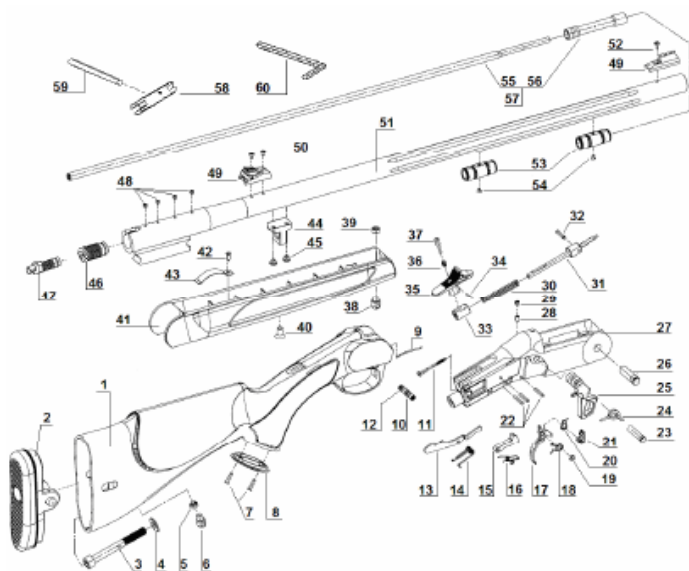
### Vortek StrikerFire™



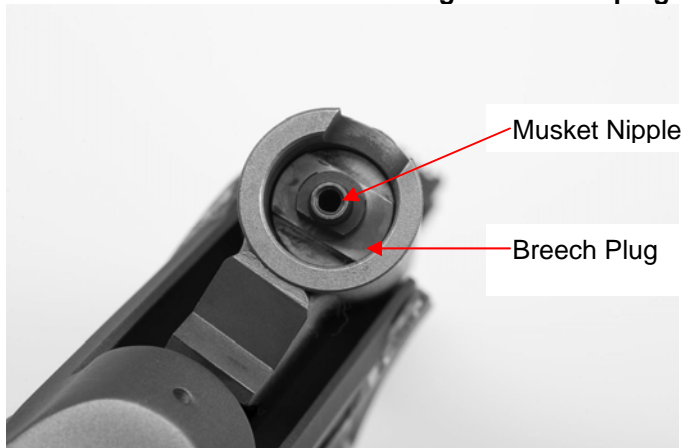
	<b>Description</b>	<b>Reference</b>
1	Butt Stock (AW Over)	M5002-2GG
2	Butt Pad	56026
3	Butt Stock Screw	20016
4	Butt Stock Screw Washer	71019
5	Sling Swivel Stud – Rear nut	56122
6	Sling Swivel Stud Rear	37022
7	Pistol grip Cap Screw (2 units)	40105
8	Pistol Grip Cap	40104
9	Safety Button Spring	M56015
10	Safety Button	510032
11	Striker Retention Spring	M56018
12	Rubber O-Ring (Safety)	50016
13	Striker Stop	56070
14	Striker Stop Spring	M56071
15	Sear	56008
16	Sear Spring	M56011
17	Trigger	56003
18	Trigger Spring	M56013
19	Trigger Bushing	56027
20	Second Trigger Spring	M56014
21	Second Trigger	56006
22	Mechanism Pin (3 units)	560025
23	Barrel Catch Lever Pin	560023
24	Barrel Catch Lever Pin Spring	M56019
25	Barrel Catch Lever	56005
26	Frame Pivot Pin	300024
27	Frame (Aluminum) (CeraKote SS)	56104
28	Regulation Screw	56035

	<b>Description</b>	<b>Reference</b>
29	Trigger Spring Support Pin	56030
30	Striker Spring	M56017
31	Striker	56007
32	Striker Retention Pin	56022
33	Striker Nut	56040
34	Striker Button Pin	560031
35	Striker Button	M56002
36	Striker De-cocking Button Spring	M56012
37	Striker De-cocking Button	56000
38	Sling Swivel Stud – Front	46122
39	Sling Swivel Stud - Front Nut	60122
40	Forend Stock Screw	10034
41	Forend Stock	M4002-1GG
42	Ramrod Retaining Spring Screw	21817
43	Ramrod Retaining Spring	400030
44	Tenon	310023
45	Tenon Screw (2 units)	300022
46	Accelerator Breech Plug™	M7400099
47	Rubber O-Ring	70016
48	Plug Screw (4 units)	26029
49	Plug Sights Screw (3 units)	26029HA
50	28" Barrel Kit 50Cal.Cerak.SS(Twist 1-28")	C-561135
51	Ramrod Thimble (2)	300032P
52	Ramrod Thimble Screw (2)	460031
53	Ramrod 28" (Aluminium)	100030
54	Ramrod Tip .50 Cal (Aluminium)	100028
55	Ramrod Assembly	100011
56	Accelerator Breech Plug™ Wrench	730029
57	Allen Wrench (4mm)	M1005

# Vortek StrikerFire™ Northwest Magnum



## Vortek StrikerFire™ Northwest Magnum breech plug



	<b>Description</b>	<b>Reference</b>
1	Butt Stock	M5002-2GG
2	Butt Pad	56026
3	Butt Stock Screw	20016
4	Butt Stock Screw Washer	71019
5	Sling Swivel Stud – Rear nut	56122
6	Sling Swivel Stud – Rear	37022
7	Pistol grip Cap Screw (2 units)	40105
8	Pistol Grip Cap	40104
9	Safety Button Spring	M56015
10	Safety Button	510032
11	Striker Retention Spring	M56018
12	Rubber O-Ring (Safety)	50016
13	Striker Stop	56070
14	Striker Stop Spring	M56071
15	Sear	56008
16	Sear Spring	M56011
17	Trigger	56003
18	Trigger Spring	M56013
19	Trigger Bushing	56027
20	Second Trigger Spring	M56014
21	Second Trigger	56006
22	Mechanism Pin (3 units)	560025
23	Barrel Catch Lever Pin	560023
24	Barrel Catch Lever Pin Spring	M56019
25	Barrel Catch Lever	56005
26	Frame Pivot Pin	300024
27	Frame (Aluminum) (CeraKote SS)	56104WM
28	Regulation Screw	56035
29	Trigger Spring Support Pin	56030
30	Striker Spring	M56017WM

	<b>Description</b>	<b>Reference</b>
31	Striker	56007WM
32	Striker Retention Pin	56022
33	Striker Nut	56040
34	Striker Button Pin	560031
35	Striker Button	M56002
36	Striker De-cocking Button Spring	M56012
37	Striker De-cocking Button	56000
38	Sling Swivel Stud – Front	46122
39	Sling Swivel Stud-Front Nut	60122
40	Forend Screw	10034
41	Forend	M4002-1GG
42	Ramrod Retaining Spring Screw	21817
43	Ramrod Retaining Spring	400030
44	Tenon	310023
45	Tenon Screw (2 units)	300022
46	Breech Plug	6000079
47	Musket Cap Nipple	6006089
48	Plug Screw (4 units)	26029
49	Metal Williams Sight Assembly	70156
50	Rear Sight Screw (2 units)	73620
51	28" Barrel NW Kit 50Cal.CSS(Twist 1-28")	C-561136
52	Front Sight Screw	73619
53	Ramrod Thimble (2)	300032P
54	Ramrod Thimble Screw (2)	460031
55	Ramrod 28" (Aluminium)	100030
56	Ramrod Tip .50 Cal (Aluminum)	100028
57	Ramrod Assembly	100011
58	Breech Plug Wrench	560029
59	Breech Plug Wrench Handle	400033
60	Allen Wrench (4mm)	M1005

## RANGE CLEANING AND ADVICE WHILE SHOOTING

A systematic routine of cleaning while shooting is strongly advised to aid in avoiding problems while loading and to optimize accuracy.

1. When cleaning the bore, use Traditions™ EZ Clean™ cleaning patches rather than shooting patches. Shooting patches are too small for cleaning and can be lost in the bore.
2. If a patch becomes lost in the bore, use Traditions™ Patch Puller Worm attached to a ramrod for retrieval, or if necessary, remove the breech plug and push the patch out through the breech area. Never load a charge over a lost patch.
3. If unusual resistance is felt while loading a projectile, place a EZ Clean™ cleaning patch on a cleaning jag affixed to the end of a ramrod and run it the full length of the barrel several times with your objective being to remove as much of the fouling build up as possible.

**NOTE:** It should never be necessary to hammer or excessively force a projectile down the bore. Projectiles should load firmly against the powder charge with a series of short strokes. If the projectile is the proper size, unusual resistance usually indicates the need to swab the bore with a treated cleaning patch. Use EZ Clean™ solvent if barrel is heavily fouled. An occasional cleaning of the bore with a brass Traditions™ Bore Brush is advisable to remove excessive plastic and fouling build-up.

4. When target shooting or sighting in, develop a habit of consistently wiping the bore with Traditions™ EZ Clean™ patches after each shot. Depending upon the specific load, temperature, and humidity, a short series of shots with black powder or black powder substitute can be fired before it becomes necessary to wipe the bore with Traditions™ EZ Clean™ patches or in order to remove fouling build-up. If for any reason the projectile will not go all the way down to the powder charge, it will be necessary to extract the projectile from the barrel either with a bullet puller on a ramrod or the breech plug can be removed, the charge removed and the projectile forced out the end of the barrel with a long bench/range rod or an extended ramrod.

**NOTE:** A dirty fouled barrel will directly affect your ability to group shots. However, in a hunting situation, only a few shots will likely be taken. If the barrel is prepped and lubed at the onset, it is not necessary to clean and lube the interior of the barrel between shots when hunting.

# FIELD CLEANING & DISASSEMBLY PROCEDURE

The field disassembly procedure is most often used for general cleaning, lubrication and inspection of your rifle. It must be completed after each time you complete your shooting session. This procedure allows for quickly cleaning, lubricate and inspect of most all important parts and assemblies. The field disassembly procedure outlined below will keep your rifle shooting safely and reliably for years to come. Carefully follow this 4 easy step process.

## Required Tools & Supplies:

- Supplied 4mm Allen wrench
- Accelerator Breech Plug™ wrench or nipple/breech plug wrench if using Northwest Magnum model
- Traditions™ range rod or ramrod with jag
- Bore brush
- EZ Clean™ solvent
- Wonderlube™ 1000
- Pipe Cleaners
- Bore patches
- Breech Plug Grease

## Step: #1

### **Mandatory Safety Procedures:**

1. Follow all safety rules listed previously in this manual.
2. Press Safety Button (#10) to engage. Red ring is not visible when in safe position; if you see the red ring then the safety is in the fire position.
3. Decock gun by pressing down on the Striker De-cocking Button (#37) or pressing Barrel Catch Lever (#25) to decock gun. Open action and access breech plug (#46).
4. Remove Accelerator Breech Plug™ (#46) and inspect Barrel (#50) to be sure your rifle is unprimed, unloaded and free of obstruction.

**Note: If using Northwest Magnum model use the supplied wrench to remove the musket nipple and breech plug. Refer to the Additional Information on Breech plugs part of this section for specific instructions on this step.**

## Step: #2

### **Rifle Disassembly:**

1. Remove Ram Rod from rifle (#55).
2. Remove forend stock screw (#40) and forend (#41) from barrel assembly using the 4mm Allen wrench provided with your rifle. (*TIP- Use the forend to store parts in so you don't lose them*)
3. Remove Barrel (#50) from Receiver (#27).
4. You can now clean your Barrel (#50), Receiver (#27) and Breech Plug (#46). Field disassembly is now complete.



### **Step: #3**

#### **Rifle Cleaning & Lubrication:**

1. Apply Traditions EZ Clean™ to barrel brush and cleaning patches to clean both interior and exterior of barrel.
2. Dry barrel interior with several dry bore patches.
3. Lubricate with Wonderlube™ to help protect both interior and exterior surfaces of both barrel and receiver from rust and to ease loading.
4. Lightly oil inside of receiver.
5. Lightly grease frame pivot pin (#26) and barrel catch surface on barrel (#50)
6. Lightly oil all interior and exterior metal surfaces of your rifle.

### **Step: #4**

#### **Reassembly:**

1. Reinstall the Barrel Assembly onto the Receiver (#27) and lock into place.
2. Reinstall the forend stock (#41) onto the barreled action and install the forend stock screw (#40).
3. Reinstall Ram Rod (#55)
4. Function test to confirm your rifle is fully operational. Reassembly is now complete.

## **DETAILED CLEANING & DISASSEMBLY PROCEDURE**

The Vortek StrikerFire™ rifle is designed to reduce internal fouling of the receiver and its components. Detail disassembly, cleaning, lubrication and inspection of the entire rifle system should be performed after you are done shooting for the day and before storing for an extended period of time. Performing this detailed cleaning will help to keep your rifle in its best operation condition.

### **Step: #1**

#### **Mandatory Safety Procedures:**

1. Follow all safety rules listed above.
2. Press Safety Button (#10) to engage. Safe Button can be switched for use by right or left handed shooter. Red ring is not visible when in safe position.
3. De-cock gun by pressing down on the Striker De-cocking Button (#37) or pressing Barrel Catch Lever (#25) to de-cock gun. Open action and access breech plug (#46).
4. Remove Accelerator Breech Plug™ (#46) and inspect Barrel (#50) to be sure your rifle is unprimed, unloaded and free of obstruction.

## **Step: #2**

### **Rifle Detailed Disassembly:**

1. Remove Ram Rod from rifle (#55).
2. Remove forend stock screw (#40) and forend (#41) from barrel assembly using the 4mm Allen wrench provided with your rifle.  
**(TIP-Use the forend to store parts so you will not lose them)**
3. Remove Barrel (#50) from Receiver (#27).
4. Locate Safety Button (#10). Using your 4mm Allen wrench as a punch slowly push Safety Button (#10) from left to right and remove it from the Butt Stock (#1).



**Only press this side of safety button to disassemble!**

**CAUTION: Only disassemble the Safety Button from left side to the right. Removing the Safety button from the other direction can damage your Safety Button, Spring and/ or Butt Stock**

5. Remove Butt Pad (#2) using two fingers to depress the buttons.
6. Remove Stock Bolt (#3) and Stock Bolt Washer (#4) with a 6mm T-handle wrench. Carefully slide Butt Stock (#1) from Receiver (#27).
7. Remove Striker Retention Spring (#11) from Striker Retention Pin (#32)
8. Completely remove Striker Retention Pin (#32) from receiver (#27) using a small punch.
9. Depress the Barrel Catch lever (#25) to remove Striker Assembly. Remove from rear of the Receiver (#27).

**WARNING: DO NOT ATTEMPT TO DISASSEMBLE RECEIVER. THIS INCLUDES ANY PINS HOLDING THE RECEIVER TOGETHER.**

10. Detailed disassembly is now complete.

## **Step: #3**

### **Rifle Cleaning & Lubrication:**

1. Clean inside of striker channel located in Receiver (#27) with a 20ga bore mop or soft nylon brush lightly sprayed with degreaser/cleaner.
2. Clean Striker Assembly with gun degreaser/cleaner.
3. Spray degreaser/cleaner on trigger and sear components on bottom of Receiver (#27).
4. Clean inside of Receiver (#27) in from of Barrel Catch Lever (#25).

5. Lightly oil striker assembly.
6. Lightly oil inside of Receiver (#27).
7. Lightly oil Trigger (#17), Sear (#15) and Striker Stop (#13) and Mechanism Pins (#22). This is best accomplished by applying one drop of quality gun oil to each side of the referenced parts pivot points. **(Caution-Do not over lubricate)**
8. Apply Traditions EZ Clean™ to barrel brush and cleaning patches to clean both interior and exterior of barrel.
9. Dry barrel interior with several dry bore patches.
10. Lubricate with Wonderlube™ to help protect all interior and exterior surfaces of both Barrel (#50) and Receiver (#27) from rust and to ease loading.
11. Lightly grease frame pivot pin (#26) and barrel catch surface on barrel (#50)

#### **Step: #4**

#### **Reassembly:**

1. Press barrel catch lever (#25) and reinstall lubricated striker assembly into striker channel in Receiver (#27).
2. Reinstall Striker Retention Pin (#32) from left to right.
3. Reconnect Striker Retention Spring (#11) to Striker Retention Pin (#32)**(Caution- place spring fully in grove of pin)**
4. Carefully slide on butt stock (#1) into position on receiver (#27).
5. Reinstall Butt Stock Bolt (#1) and Washer (#4). Tighten bolt with 6mm Allen t-handle wrench.
6. Reinstall Butt Pad (#2)
7. Reinstall Safety Button (#10) from right to left.



**Only install safety button from this side!**

**CAUTION: Only install the Safety Button from right to left side. Installing the Safety Button from the other direction can damage your Safety Button, Spring and/ or Butt Stock.**

8. Reinstall barrel (#50) on to receiver (#27) and install forearm (#41).
9. Install forearm screw (#40) and tighten with 4mm Allen wrench.
10. Reinstall Ram Rod (#55)

**IMPORTANT:** Perform a function test as described earlier in this manual to confirm your rifle is fully operational and reassembly was correctly completed.

**NOTE:** Store your rifle in a cool, dry, secured area. Storage in a gun case should be avoided as it may hasten condensation and corrosion. During long periods of storage, periodically check for signs of pitting or rusting on the surface and in the barrel bore.

## **ADDITIONAL INFORMATION ON BREECH PLUGS**

The standard breech plug on the Vortek Strikerfire™ is the Accelerator Breech Plug™ which is equipped to use a standard 209 shotgun primer for the ignition. The 209 primer area is built directly into the Accelerator Breech Plug™. The Vortek Strikerfire™ Northwest Magnum comes equipped with a two-piece breech plug that is designed to use a musket cap. Regardless of which breech plug your rifle has you should remove the breech plug and clean the threads of both the breech plug and inside of the barrel. You must lubricate the thread of the breech plug with Traditions™ breech plug grease before you install it back into the barrel. This will help prevent the breech plug from getting stuck inside the barrel after shooting.

**Note:** Breech plugs and nipples will wear out over time and should be replaced periodically. We recommend that you purchase at least one extra breech plug or nipple for emergencies in the field or at the range. We recommend that you replace your breech plug after every year and nipples after every hunting season.

### **Removal of the Breech Plug:**

#### **For standard models with the Accelerator Breech Plug™:**

1. Using your fingers rotate the breech plug counter clockwise to remove from the barrel. The Accelerator Breech Plug™ removes in just 3 full rotations from the barrel.
2. Inspect the o-ring to be sure it is not worn or damaged. If so remove and replace with a new one.

#### **For Northwest Magnum model rifle with two-piece breech plug:**

#### **Removal of the Nipple:**

1. Make sure that the musket nipple is not capped or primed.
2. Push the barrel catch lever to open the action and expose the nipple and breech plug.
3. Insert the smaller end of the breech plug wrench over the musket nipple and make sure it is seated fully.
4. Insert the handle into the hole at the rear of the breech plug wrench and unscrew the musket nipple counter clockwise.

### **Removal of the Breech Plug:**

1. Insert the larger end of the breech plug wrench over the breech plug and make sure it is fully seated.
2. Insert the handle into the hole at the rear of the breech plug wrench and unscrew the breech plug counter clockwise. It may require some extra force to remove the breech plug after shooting.
3. If for some reason you are unable to remove the breech plug or nipple, please refer to the page 45 for tips.

### **Cleaning of the Breech Plug and Nipple:**

1. Spray the breech plug inside and out with Traditions™ EZ Clean™ solvent or use the EZ Clean™ bath system to loosen the residue and fouling on the plug. Use a stiff brush to clean the outside threads and inner area of the breech plug including the fire channel. A pipe cleaner can be used to get the smaller areas clean and dry.
2. Wipe with a clean cotton cloth. Repeat until all residues are off.
3. Dry the breech plug and lube the threads and o-ring with Traditions™ breech plug grease or the appropriate anti-seize grease. Not using the recommended lubricant will cause o-ring damage and breech plug seizure.

**Note:** If the plug is difficult to remove, try these hints to help remove your plug. Spray penetrating oil down the muzzle of the barrel and let it sit for an hour. Remove the barrel from the frame and place in a padded vice to give better leverage while using the spanner wrench to remove the plug. To use the wrench, insert the post of the wrench into the notch on the plug and turn the handle counterclockwise.

### **Tips for Stuck Breech Plugs:**

**Important: Always make sure to lubricate the breech plug threads liberally with Traditions™ breech plug grease before using your muzzleloader to help avoid having a stuck breech plug.**

1. With the breech plug wrench fitted over the breech plug, actually try to tighten the plug and then rock it back and forth to loosen up the fouling.
2. Remove the barrel from the receiver. Pour some hot water into the barrel and let it soak for about 1/2 hour. Secure the barrel in a padded vise. Position the wrench onto the breech plug and remove. Be careful not to scald yourself with the hot water.
3. If you still cannot remove plug contact the Traditions™ Customer Service Department.

## **Installation of the Accelerator Breech Plug™:**

**Note:** Before attempting to install the Accelerator Breech Plug™ be sure to inspect the fire channel of the breech plug to make sure it is clean and free of any obstructions.

Place the breech plug in the barrel and thread the breech plug into the barrel using your fingers and rotating the breech plug in a clockwise rotation. Continue to do so until the Accelerator Breech Plug™ makes contact with the barrel and seats firmly.

**Note:** If the breech plug does not thread smoothly or seat fully, remove it and visually inspect the o-ring for wear and the threads on the plug and inside the barrel for fouling or obstructions.

Traditions™ recommends removing, cleaning and re-lubing the breech plug every 10-15 shots. With proper maintenance and care the o-ring will last many years. The o-ring is in place as a gas check and helps to block fouling from reaching the threads. The plug can still be used without the o-ring but may become difficult to remove due to the fouling that will take place.

## **Installation of Breech Plug and Musket Nipple on Northwest Magnum model:**

1. Make sure that the threads of both the breech plug and the musket nipple are clean of all debris and fouling. Be sure to clean the threads inside the barrel of any debris as well.
2. Apply liberally to the threads Traditions™ Breech Plug and Nipple grease. This will help to prevent the breech plug becoming seized in the threads of the breech.
3. Re-install the breech plug into the barrel using the larger end of the wrench and turning it clockwise until tight.
4. Re-install the musket nipple into the breech plug using the smaller end of the wrench and turning it clockwise until tight. Do not over tighten or the nipple may break.

## **16. SIGHTING IN AND SCOPE MOUNTING**

### **SIGHTING IN:**

Start your sighting in at approximately 25 yards with a large target. You want to achieve a grouping of shots no matter where on the target first. After you are able to shoot at least 3 shots in the same 2" area, then adjust your sight to the center bull's-eye.

**To adjust:** Move the rear sight in the direction you want the bullet to go. To adjust the sight use a flat tip screwdriver to turn the windage (left or right) and elevation (up or down) adjustment screws on the sight.

**Note:** Traditions™ recommends while sighting in your muzzleloader that you clean the bore between each of your shots. By doing this you are starting out with a fresh, seasoned bore that will help prevent some shooting errors such as powder build up that could cause poor inaccuracy. Different projectiles and recommended powder charges can vary in accuracy, so make sure to sight in using the same projectiles and powder charges first and then change if needed.

### **SCOPE MOUNTING:**

Most Traditions™ muzzleloaders are drilled and tapped for mounting a scope. Traditions™ offers a wide variety of scopes and mounting options to suit many needs. Visit [www.traditionsfirearms.com](http://www.traditionsfirearms.com) to see our full line of optics and mounts. To sight in your scope; please follow the scope manufacturer's directions.

## **17. INFORMATION ON BLACK POWDER & BLACK POWDER SUBSTITUTES.**

As a muzzleloading firearm shooter you become a reloader in addition to being the shooter. This adds another aspect of responsibility to you and requires that you strictly adhere to the proper safe charging of you firearm regardless of what type of black powder or black powder substitute you use. Failure to properly follow these instructions and the powder manufacturer's recommendations may cause damage to the firearm and injury and/or death to the shooter or bystanders and damage to property.

**WARNING: NEVER USE MORE THAN 150 GRAINS OF BLACK POWDER OF ANY TYPE FROM ANY MANUFACTURER.**

### **BLACK POWDER**

Black powder gunpowder is the original propellant of firearms and is still quite useful to this day. Black powder is generally available in four different granule sizes which determines the appropriate use for the powder. The burn rate of black powder depends on its grain size. Larger granules burn at a slower rate and therefore work best in large diameter rifles or canons; while smaller granules burn at a faster rate and work best in small caliber rifles or pistols. Selecting the correct granulation is imperative for the best reliable performance of your muzzleloading firearm.

**Note: When purchasing black powder make sure that the granulation or type is clearly marked on the manufacturer's container so you can assure you are purchasing the correct powder for your application.**

### **FG (also referred to as 1Fg or Single "F")**

This is a very coarse black powder best suited to very large bore rifles and shotguns (10, 8, 4 gauge) that were produced in the past. This powder is one that you will not find very much use for and as such is not often seen for sale.

### **FFG (also referred to as 2Fg or Double "F")**

This is a popular granulation as it has a wide variety of applications. Suitable for rifles .50 caliber and over, black powder shotguns in 12, 16, and 20 gauge and sometimes in large caliber single shot pistols (larger than .50 caliber).

### **FFFG (also referred to as 3Fg or Triple "F")**

Since it can be used in a wide variety of applications this is the most popular and available granulation of black powder. Suitable for use in rifles and single shot pistols .50 caliber and under, as well as in all percussion (cap & ball) revolvers; this powder is the most versatile black powder available.

### **FFFFG (also referred to as 4Fg or Four "F")**

This is the finest of the commonly available black powders and with its fast burn rate has limited applications. The best and most common application of this powder is for the priming of the flash pan on a flintlock rifle. Since it has such limited applications it can sometimes be hard to find at retailers.

**WARNING:** Traditional black powder is extremely flammable therefore proper handling and storage procedures from the manufacturer should be strictly followed. If you have any concerns or questions on how exactly to handle or store black powder contact the manufacturer of the powder. Additional information on black powder storage is available from the National Fire Protection Association, 1 Batterymarch Park, Quincy, MA. 02269. ([www.nfpa.org](http://www.nfpa.org)). They can be contacted by calling 1-800-344-3555 or emailing [custserv@nfpa.org](mailto:custserv@nfpa.org). Ask for pamphlet #495 for information regarding black powder.

## **BLACK POWDER SUBSTITUTES**

In addition to traditional black powder there are now a multitude of suitable black powder substitutes that are appropriate for use in Traditions™ muzzleloading firearms. These powders can offer advantages over traditional black powder but sometimes require specific types of ignition and it is important to consult the powder manufacturer's instruction on appropriate ignition types.



**Note: If using the Northwest Magnum model make sure to choose a powder that is compatible with a musket cap as its ignition source.**

Some black powder substitutes are offered in differing granulations similar to black powder, while others are only offered in one granulation. It is important that you select the appropriate powder and granulation for your specific application and firearm.

In addition most black powder substitutes relate closely to black powder on a volume to volume basis but not by weight. For this reason black powder substitutes are measured by volume as opposed to by weight. When using you a black powder measure you must follow the powder manufacturer's instructions on adjusting the measuring of the powder charge compared to what charge you would normally use with black powder.

Some black powder substitutes are also available in a pellet form which provides for easier carrying and loading. Pellets are sometimes offered in different charge sizes so be sure to use the appropriate number of pellets to obtain your desired charge. Consult the pellet manufacturer's recommendations if you have any doubts about how many pellets to use.

**WARNING: DO NOT USE PYRODEX® CTG.** While Pyrodex CTG is a black powder substitute, it is designed to be used in cartridge firearms which use cartridges that originally used black powder as their charge. It is not safe or recommended for use in muzzleloading firearms.

## **TYPES OF BLACK POWDER & BLACK POWDER SUBSTITUTES**

Traditions™ does not sell or endorse any specific brand of black powder or black powder substitute. However listed below are some of the currently available black powder or black powder substitutes that are approved for use in Traditions™ products.

Please refer to the powder manufacturer for proper loading and measuring techniques as they can vary from manufacturer to manufacturer. If there is ever a question on the appropriate application of a certain powder or the safety of a specific powder charge you must contact the manufacturer of the powder as the source for this information.

Follow the safe handling and storage precautions printed on the manufacturer's container and never purchase or use any powder that has been removed from their manufacturer's original container.

**WARNING: NEVER UNDER ANY CIRCUMSTANCE USE SMOKELESS POWDER OF ANY TYPE OR IN ANY QUANTITY IN A MUZZLELOADING FIREARM, AND NEVER MIX POWDERS.** The use of any smokeless powder at all could result in a detonation or explosion which could cause injury and/or death to the shooter or bystanders and damage to property.

**WARNING: NEVER EXCEED THE RECOMMENDED MAXIMUM BLACK POWDER OR BLACK POWDER SUBSTITUTE CHARGE LISTED IN THIS BOOK OR BY THE POWDER MANUFACTURER.** If the recommended maximum charge is exceeded then injury or death to the shooter or bystanders can occur.

**WARNING: Follow the powder manufacturer's instructions when measuring any type of powder as not all powders are measured the same. Some are measured by weight and some by volume, and volumetric measuring can vary depending on the type and manufacturer of the powder.**

Use the below table to find out more about some of the available black powders and black powder substitutes from the following companies:

Brand	Product	Website
Alliant Powder®	Black MZ®	<a href="http://www.alliantpowder.com">www.alliantpowder.com</a>
American Pioneer Powder®	Shockey's Gold®	<a href="http://www.americanpioneerpowder.com">www.americanpioneerpowder.com</a>
Goex®	Goex®	<a href="http://www.goexpowder.com">www.goexpowder.com</a>
Hodgdon®	Pyrodex®	<a href="http://www.hodgdon.com">www.hodgdon.com</a>
Hodgdon®	Triple Seven®	<a href="http://www.hodgdon.com">www.hodgdon.com</a>
IMR®	White Hots®	<a href="http://www.imrpowder.com">www.imrpowder.com</a>
Western Powder®	Blackhorn 209®	<a href="http://www.blackhorn209.com">www.blackhorn209.com</a>

## 209 Primer suggestions

Traditions™ does not sell or endorse any specific brand of 209 primers but has found the primers from Remington, Federal, CCI, and Winchester perform well in our rifles.

For more information regarding primers contact the primer manufacturer and make sure you use an appropriate primer for the powder you are using.

## **18. SUGGESTED LOADS FOR** **VORTEK STRIKERFIRE™**

**WARNING: NEVER UNDER ANY CIRCUMSTANCE USE SMOKELESS POWDER OF ANY TYPE OR IN ANY QUANTITY IN A MUZZLELOADING FIREARM, AND NEVER MIX POWDERS.** The use of any smokeless powder at all could result in a detonation or explosion which could cause injury and/or death to the shooter or bystanders and damage to property.

**WARNING: NEVER EXCEED THE RECOMMENDED MAXIMUM BLACK POWDER OR BLACK POWDER SUBSTITUTE CHARGE LISTED IN THIS BOOK OR BY THE POWDER MANUFACTURER.** If the recommended maximum charge is exceeded then injury or death to the shooter or bystanders can occur.

**WARNING: Follow the powder manufacturer's instructions when measuring any type of powder as not all powders are measured the same. Some are measured by weight and some by volume, and volumetric measuring can vary depending on the type and manufacturer of the powder.**

**WARNING: Only use bullets that are designed or approved for use in a muzzleloading firearm.**

**Note: Velocities listed are approximate and for reference only.**

### **PYRODEX OR TRIPLE SEVEN BLACK POWDER SUBSTITUTE PELLETS**

<b>Bullet Weight</b>	<b>Sabot/Bullet Dia.</b>	<b>Powder</b>	<b>Powder Charge</b>	<b>Velocity FPS</b>
<b>250 gr. Smackdown</b>	<b>50/45</b>	<b>Pyrodex Pellets</b>	<b>2-50 Grain Pellets</b>	<b>1785</b>
<b>250 gr. Smackdown</b>	<b>50/45</b>	<b>777 Pellets</b>	<b>2-50 Grain Pellets</b>	<b>1785</b>
<b>350 gr. Full Bore</b>	<b>50</b>	<b>777 Pellets</b>	<b>2-50 Grain Pellets</b>	<b>1533</b>

## BLACKHORN 209, BLACK MZ, PYRODEX, TRIPLE SEVEN, BLACK POWDER SUBSTITUTES

**WARNING: Powder charges measured in volumetric units, not by weight.**

Bullet Weight	Sabot/Bullet Dia.	Powder	Powder Charge	Velocity FPS
250 gr. Smackdown	50/45	777 Powder 2F or 3F	80 gr. VU Min.	1681
250 gr. Smackdown	50/45	777 Powder 2F or 3F	100 gr. VU Max.	1835
350 gr. Full Bore	50	777 Powder 2F or 3F	80 gr. VU Min.	1487
350 gr. Full Bore	50	777 Powder 2F or 3F	100 gr. VU Max.	1624
250 gr. Smackdown	50/45	Black MZ	90 gr. VU Min	1759
250 gr. Smackdown	50/45	Black MZ	120 gr. VU Max.	1966
300 gr. Smackdown	50/45	Black MZ	90 gr. VU Min.	1699
300 gr. Smackdown	50/45	Black MZ	120 gr. VU Max.	1894
250 gr. Smackdown	50/45	Blackhorn 209	80 gr. VU Min.	1734
250 gr. Smackdown	50/45	Blackhorn 209	120 gr. VU Max.	2119
300 gr. Smackdown	50/45	Blackhorn 209	80 gr. VU Min.	1620
300 gr. Smackdown	50/45	Blackhorn 209	120 gr. VU Max.	2050
250 gr. Smackdown	50/45	Pyrodex RS Powder	80 gr. VU Min.	1567
250 gr. Smackdown	50/45	Pyrodex RS Powder	100 gr. VU Max.	1706

# **19. WARRANTY & SERVICE**

## **LIMITED LIFETIME MECHANICAL WARRANTY**

Traditions™ will warrant this muzzleloading firearm (or parts in a kit to be built) to be free of mechanical defects in materials or craftsmanship for the life of the firearm, while in the possession of the original owner except wooden plastic stocks and finishes. Traditions™ will repair or replace, at its own option, product or parts which are returned at owner's expense to the Traditions™ Customer Service Department. Call 860-388-4656 to obtain a factory issued Return Merchandise Authorization number. A full explanation of the specific problem must be given to the customer service representative.

## **PLEASE HELP US SERVE YOU BETTER**

In the event you should have questions pertaining to the function or performance of your new Traditions™ firearm please visit our website to get answers to the most commonly asked questions. Log on to [www.traditionsfirearms.com](http://www.traditionsfirearms.com) where you will find the FAQ page. This page will get you fast access to trouble shooting solutions. If you do not find an answer to your specific question on the FAQ page of our website please feel free to email through the website at [info@traditionsfirearms.com](mailto:info@traditionsfirearms.com) and a qualified member of our team will respond to your individual question as quickly as possible. In the event you still need assistance please do not hesitate to contact Traditions™, and a member of our Customer Service Department will be happy to assist.

In the unlikely event you need warranty service on your new firearm; we need your help to get the work done right and without delay. It's as easy as dropping us a note or picking up the telephone.

Traditions™ conveniently engraves the caliber, serial number and model name on each barrel. Take note of this information, record it on the warranty page in this manual and be prepared to state it when contacting the Traditions™ Customer Service Department with your questions.

Contact Traditions at 860-388-4656, tell us what problem you are experiencing and we'll get busy to remedy your situation. Help is just a phone call away should you experience a problem. Simply follow these four simple steps and we'll get your firearm back in perfect working order in the shortest possible time.

Do not return your firearm to the dealer. You can save time by following the steps outlined below.

Do call us and describe the problem. Chances are we can either guide you to a solution right over the phone or when possible send you the parts you need to correct the problem. Should your gun need factory service, we will give you instructions about where to ship it and issue you a Return Merchandise Authorization number.

All firearms must have a factory issued Return Merchandise Authorization number (RMA#) before returning to Traditions for warranty service. Firearms without an RMA number will be refused. Often we can help you by phone, so first call us before you return your Traditions™ firearm for service.

**NOTE: Firearms packaged and shipped improperly are not covered under warranty if damage occurs.**

This warranty shall remain in force unless any of the following are determined by the Traditions™ Customer Service Department:

1. Use of any propellant other than black powder or approved black powder substitutes.
2. Use of any powder charge in excess of those recommended in this booklet or by the powder manufacturer
3. Use of any plastic patching material with round balls.
4. Modification of internal parts as they were shipped from the factory.
5. A lack of proper maintenance and thorough cleaning is evident such as rust.
6. Peeling of camo finish after 1 year of service.
7. Customer abuse

Shipping Address:

Traditions™ Performance Firearms  
1375 Boston Post Rd. • P.O. Box 776  
Old Saybrook, CT 06475-0776  
Tel. 860-388-4656  
Fax. 860-388-4657  
Website: [www.traditionsfirearms.com](http://www.traditionsfirearms.com)

## FOR YOUR RECORDS

Important: Please record information here and keep for your record.

Model No. \_\_\_\_\_

Serial No. \_\_\_\_\_

Model Name \_\_\_\_\_

Caliber \_\_\_\_\_

Date Purchased \_\_\_\_\_

From \_\_\_\_\_

Registration Card mailed on \_\_\_\_\_

**Please call Traditions™ Customer Service Department at 860-388-4656 with any questions or concerns.**

To register your warranty online please go to [www.traditionsfirearms.com/support/warranty-registration](http://www.traditionsfirearms.com/support/warranty-registration), or you can mail in the warranty card on the opposing page.

To be added to our email list for announcements, specials, and other information please visit our website at: [www.traditionsfirearms.com](http://www.traditionsfirearms.com)

# PREFERRED CUSTOMER WARRANTY REGISTRATION CARD



Referencing the label on the end of the carton, please write in the last 5 digits located on the right half of the UPC code into the boxes below.

UPC #

4	0	5	8	9	-					
---	---	---	---	---	---	--	--	--	--	--

Model # \_\_\_\_\_

Serial # (from barrel) \_\_\_\_\_

Name \_\_\_\_\_ Age \_\_\_\_\_

Street \_\_\_\_\_

City \_\_\_\_\_ State \_\_\_\_\_ Zip \_\_\_\_\_

Day Time Phone # \_\_\_\_\_ Date of Purchase \_\_\_\_\_

Purchase Price \_\_\_\_\_ Store Name \_\_\_\_\_

- What is your age? <sup>1</sup> Under 18 <sup>2</sup> 18-24 <sup>3</sup> 25-34 <sup>4</sup> 35-44 <sup>5</sup> 45-54 <sup>6</sup> 55-64 <sup>7</sup> over 65
- Reason for your purchase <sup>1</sup> Hunting <sup>2</sup> Target Shooting <sup>3</sup> Personal use <sup>4</sup> Gift <sup>5</sup> Raffle Prize <sup>6</sup> Other
- Do you own? <sup>1</sup> Other muzzleloaders <sup>2</sup> Over/Under Shotgun <sup>3</sup> Side by Side Shotgun <sup>4</sup> Semi-Auto Shotgun <sup>5</sup> Pump Shotgun <sup>6</sup> Cartridge Rifle <sup>7</sup> Handgun <sup>8</sup> Bow
- Where purchased? <sup>1</sup> Gun Shop <sup>2</sup> General Sporting Goods Store <sup>3</sup> Hardware Store <sup>4</sup> Chain Store <sup>5</sup> Mail Order Catalog <sup>6</sup> Internet Store
- Is this your first muzzleloader? <sup>1</sup> Yes <sup>2</sup> No
- Which factors influenced your purchase? <sup>1</sup> Previously owned a **Traditions** product <sup>2</sup> Magazine Ad/Article <sup>3</sup> Internet/Website <sup>4</sup> **Traditions** Catalog <sup>5</sup> Recommendation of Salesperson <sup>6</sup> Recommendation of a Friend <sup>7</sup> Price <sup>8</sup> Features <sup>9</sup> Other
- What type of game do you hunt? <sup>1</sup> Whitetail Deer <sup>2</sup> Mule Deer <sup>3</sup> Elk <sup>4</sup> Bear <sup>5</sup> Antelope <sup>6</sup> Turkey <sup>7</sup> Small Game <sup>8</sup> Other
- What do you think is the best way to get information about Hunting & Hunting products? <sup>1</sup> Magazine Ads <sup>2</sup> Internet/Website <sup>3</sup> Television Programs <sup>4</sup> Radio
- 9a. Which magazine do you read? \_\_\_\_\_
- b. Which TV hunting show do you watch? \_\_\_\_\_

Check here to receive a free **Traditions** catalog showing muzzleloadings' largest and accessories or visit our website at [www.traditionsfirearms.com](http://www.traditionsfirearms.com)

To receive a **Traditions** Firearms Logo cap and catalog, send \$12.99 along with your warranty registration card.

selection of firearms



**NOTE: Return this card within 15 days of purchase in order to validate your limited lifetime warranty.**

Please complete all information above and mail to:



P.O. Box 776 • Old Saybrook, CT 06475-0776

[www.traditionsfirearms.com](http://www.traditionsfirearms.com)





P.O. Box 776  
Old Saybrook, CT 06475-0776

**Place  
Postage Here.**  
Or for additional  
security enclose  
in a envelope.