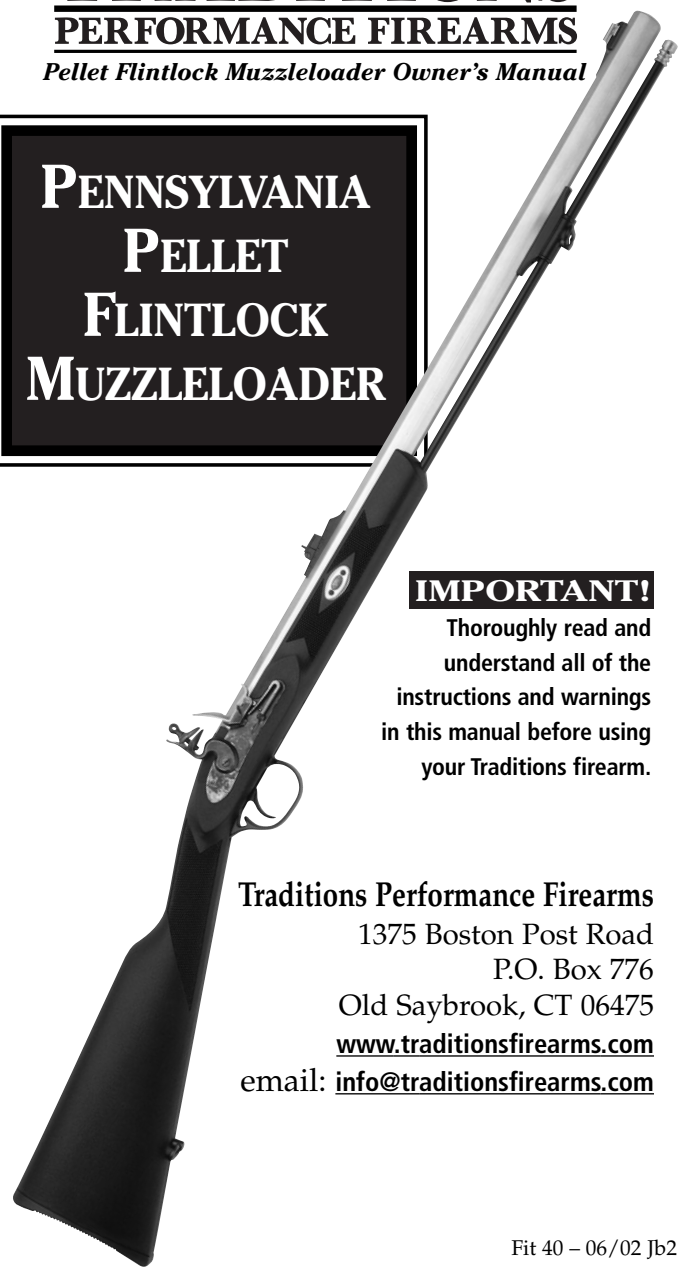


TRADITIONS™

PERFORMANCE FIREARMS

Pellet Flintlock Muzzleloader Owner's Manual

PENNSYLVANIA PELLET FLINTLOCK MUZZLELOADER



IMPORTANT!

Thoroughly read and understand all of the instructions and warnings in this manual before using your Traditions firearm.

Traditions Performance Firearms

1375 Boston Post Road

P.O. Box 776

Old Saybrook, CT 06475

www.traditionsfirearms.com

email: info@traditionsfirearms.com

**Place
Postage Here.**
Or for additional
security enclose
in a envelope.

TRADITIONS™
PERFORMANCE FIREARMS

P.O. Box 776

Old Saybrook, CT 06475-0776

TRADITIONS' WARRANTY PROTECTION INCLUDED WITH YOUR NEW GUN

Quality, pride and old world craftsmanship has gone into your new Traditions muzzleloader. We work hard to provide the best value and performance possible, we back it up with a limited lifetime mechanical warranty. Should you ever experience mechanical difficulty with your new Traditions firearm, be assured that we are staffed and equipped to correct it quickly. Your satisfaction with your firearm is very important to us.

PLEASE HELP US SERVE YOU BETTER

In the unlikely event you need warranty service on your new firearm, we need your help to get the work done right and without delay. It's as easy as dropping us a note or picking up the telephone.

Traditions conveniently embosses the caliber, twist configuration, and model name on each barrel. Take note of this information and be prepared to state it when contacting the Traditions Customer Service Department with your questions.

Contact Traditions at 1-800-526-9556, tell us what problem you are experiencing and we'll get busy to remedy your situation.

Help is just a phone call away should you ever experience a problem. Simply follow these four simple steps and we'll get your firearm back in perfect working order in the shortest possible time.

1. Do not return your firearm to the dealer. You can save time by following the steps outlined below.
2. Do call us and describe the problem. Chances are we can either guide you to a solution right over the phone or when possible send you the parts you need to correct the problem.
3. Should your gun need factory service, we will give you instructions as to where to ship it.
4. We will inspect your firearm and make necessary repairs that are covered under warranty.

Often we can help you by phone, Call before you return your Traditions firearm for service. Good Shooting!

1-800-526-9556

Important: All firearms must have a factory issued return authorization number (RA#) before returning to traditions for warranty service.

LIMITED LIFETIME MECHANICAL WARRANTY

Traditions will warrant this muzzleloading firearm (or parts in a kit to be built) to be free of mechanical defects in materials or craftsmanship for the life of the firearm, while in the possession of the original owner except wooden stocks. Traditions will repair or replace, at its own option, product or parts which are returned at owner's expense to the Traditions Customer Service Department. A full explanation of the specific problem must accompany the returned item. Call 1-800-526-9556 to obtain a factory issued return authorization number.

Firearms packaged and shipped improperly are not covered under warranty if damage occurs.

This warranty shall remain in force unless any of the following are determined by the Traditions Customer Service Department:

1. Use of any propellant other than black powder, Pyrodex or Triple 7.
2. Use of any powder charges in excess of those recommended in this booklet.
3. Use of any plastic patching material with round balls.
4. Modification of internal parts as they were shipped from the factory.
5. A lack of proper maintenance and thorough cleaning is evident such as rust.
6. Wooden stocks and ramrods are warranted to the extent that the defect is a result of the manufacturer and not as a consequence of normal wear and tear.

Shipping Address:

Traditions Performance Muzzleloading
1375 Boston Post Rd. • P.O. Box 776
Old Saybrook, CT 06475-0776

Telephone: 800-526-9556

Fax: 860-388-4657

Website: www.traditionsfirearms.com

E-mail: info@traditionsfirearms.com

Business hours: M-Th. 7:30-4:30 EST
Fri.-7:30-12:30 EST

If you are unsure how to package your firearm for return, ask your service representative when obtaining your RA#

TABLE OF CONTENTS

YOUR MUZZLELOADING RIFLE	1
THE SPORT OF MUZZLELOADING	2
PARTS DIAGRAM	3
DISASSEMBLY	5
ASSEMBLY	8
INSTALLING THE FLINT INTO THE JAWS	9
LOADING THE MUZZLELOADER	10
RECOMMENDED POWDER & PROJECTILES	15
SIGHTING IN	16
CLEANING YOUR MUZZLELOADER	16
SUPERIOR ACCURACY	18
HELPFUL MUZZLELOADING ACCESSORIES	19
SHOOTING AND GUN CARE AIDS	19
PREFERRED CUSTOMER WARRANTY	22

YOUR MUZZLELOADING RIFLE

Congratulations on your purchase of a Traditions muzzleloader. You have selected a muzzleloading firearm designed and engineered to give today's shooters the highest performance and optimum accuracy. When given the respect and care that any firearm demands, you can expect many years of reliable service and enjoyable hunting from your new Traditions muzzleloader.

A person using any firearm has elected to take on an enormous responsibility. This manual contains instructions, cautions and dangers for the safe enjoyable use of your Traditions muzzleloader. Shooting a firearm is a serious endeavor. These instructions and precautions should always be followed during each shooting session.

Safe firearm handling, loading and shooting are your responsibility and requires that you understand and respect the design and function of your firearm. All firearms can be very dangerous if misused, handled improperly or not properly maintained.

Like all firearms, muzzleloaders can be dangerous. Your purchase of this firearm implies that you accept all the responsibilities associated with its proper handling, use and care. Also, if in the hands of another, realize that you have the duty to insure that that person handles your firearm in the correct and proper manner.

Tradition's markets a "How to" Muzzleloading video called *The Basics of Muzzleloading*. This video is very helpful in understanding the basic steps and procedures involved in loading, shooting, cleaning and maintaining your muzzleloader. This video can be purchased from your local sporting goods dealer or direct from Traditions Firearms by calling 1-800-526-9556.

CAUTION: If you sell, trade or give this rifle to another person, be sure to give the new owner a copy of this manual. Copies of this manual are available free of charge from Traditions Performance Firearms.

THE SPORT OF MUZZLELOADING

More and more sportsmen have discovered the challenges and enjoyment of muzzleloading in recent years. For both hunting and target shooting, muzzleloading guns have helped a modern generation recapture and enjoy an important aspect of our nation's sporting past.

Traditions Muzzleloaders are firearms which represent the latest developments in this unique part of the shooting sports. They are manufactured to modern standards for safe and enjoyable shooting.

This booklet is intended as a basic guide for the proper maintenance, loading and shooting of Traditions muzzleloaders, and to offer important rules and precautions for safe handling and shooting of this type of firearm. In addition to this booklet, it is recommended that the novice obtain further information and instruction before firing a muzzleloader. Sources for this help include:

1. National Muzzle Loading Rifle Association
P.O. Box 67, Friendship, Indiana, 47021, 1-800-745-1493 or visit them on the web @ HYPERLINK <http://www.nmlra.org> or www.nmlra.org

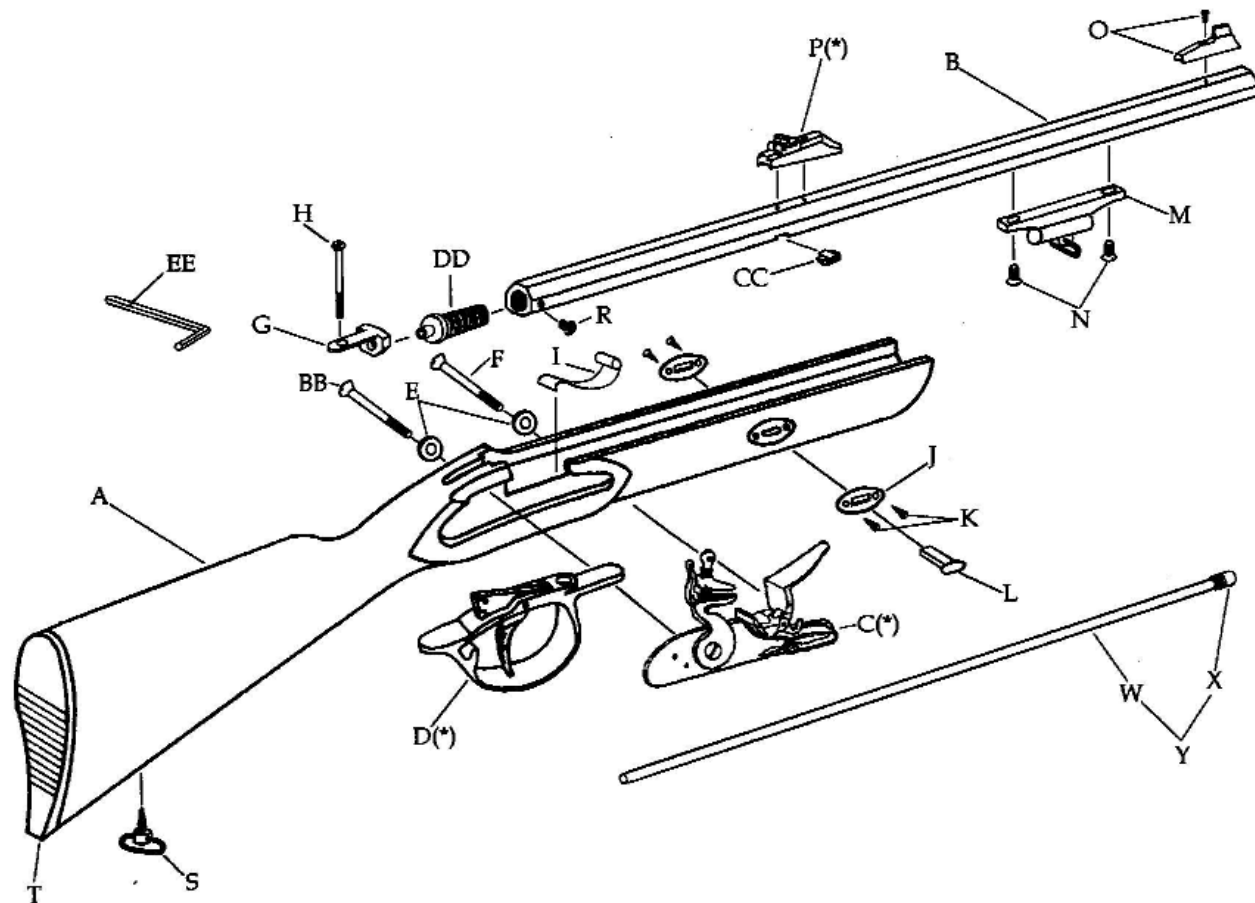
The following are available from the National Muzzle Loading Association:

"The Muzzleloading Rifle Handbook"

"The Muzzleloading Pistol Handbook"

2. Your town clerk, local sporting good dealer, state DEP or conservation department can provide information on hunter safety courses offered in your area. Many such courses include muzzleloader training and are excellent for the beginner shooter.
3. Contact your local muzzleloader or hunting club. Club members should be pleased to help introduce you to enjoyable shooting.

PA PELLET RIFLE



Description

A	Stock Breech (Flintlock) (Finished)	F	Lock Plate Screw (Front)	N	Thimble/Rib Screw (2)	BB	Lock Plate Screw (Rear)
B	Barrel Assembly Blued (Finished) (Length 26") .50 cal. flint Blued (twist 1-48")	G	Barrel Tang	O	Front Sight (New Luminous)	CC	Barrel Tenon
C	Flintlock	H	Tang Screw	P	Rear Sight (New Luminous)	DD	Breech Plug
D	Trigger/Trigger Guard Assembly (Blackened)	I	Buttpad	R	Nipple Flintlock	EE	Allen Wrench
E	Lock Plate Washer (2)	J	Stock Plate (2)	S	Stock Sling Swivel		
		K	Stock Plate Screw (4)	T	Rubber Buttpad		
		L	Barrel Wedge	W	Ramrod (Aluminum)		
		M	Ramrod Thimble/Rib/Swivel	X	Ramrod Tip .50 cal.		
				Y	Ramrod Assembly		

TRADITIONS™

PERFORMANCE FIREARMS

Congratulations on purchasing one of the most innovative Flintlock muzzleloaders on the market today. We have put in a lot of research and energy into designing the PA Pellet flintlock to make loading, shooting and cleaning easier for you! We have added some important information pertaining to all aspects of this muzzleloader so be sure to read and thoroughly understand these instructions before using your new muzzleloader.

IMPORTANT LOADING NOTE:

The PA Pellet flintlock has been designed to ignite loose powder and Pyrodex® Pellets. When using the pelletized powder, make sure to prime the touch hole as well as the pan so that the ignition fire will follow a path directly to the main powder charge. For exact loading information please refer to the Loading Section of this addendum.

NOTE: IF YOU DO NOT PRIME THE TOUCH HOLE, WHEN USING PELLETS, THE GUN MAY NOT FIRE.

The PA Pellet Flintlock includes a removable breech plug design that allows you to fully clean the inside of the barrel. Follow the Disassembly instructions below before loading or shooting your muzzleloader.

DISASSEMBLY

TO REMOVE THE BARREL FROM THE STOCK

- Remove ramrod.
- Open frizzen to the forward position.
- Carefully remove the barrel tenon wedge out from the lock side of the stock with a Tradition's wedge puller or a non-marring punch.
- Loosen BOTH lock plate screws from the side of the lock.
- Grasp the barrel and the stock with your hands and lift the barrel up part way out of the channel. Pull the barrel away from the tang while holding the stock. You may need to twist the barrel back and forth while you are pulling away. Take care not to pull up too much on the barrel or the tang may bend.

TO REMOVE THE BREECH PLUG FROM THE BARREL

AN IMPORTANT NOTE ABOUT BREECH PLUGS:

If you generously lubricate the breech plug threads with Traditions Breech plug grease the chances of getting it stuck after shooting will decrease dramatically.

IMPORTANT: REMOVE TOUCH HOLE LINER FROM SIDE OF BARREL BEFORE UNSCREWING BREECH PLUG.

- Use a flathead screwdriver to remove touch hole liner.
- Use the allen key (6 mm)supplied with rifle to unscrew breech plug from end of barrel.
- Turn breech plug counterclockwise until completely removed.

RECOMMENDATIONS FOR REMOVING A STUCK BREECH PLUG:

- Remove barrel from stock.
- Remove touch hole liner from side of barrel.
- Fill a bucket with very hot, soapy water as soak breech end of the barrel for 1/2 hour. This will help loosen up the fouling inside the breech area. The water must be very hot to penetrate the fouling and barrel material.
- Brace the barrel inside a padded vice and use the 6mm allen key supplied.

It may be necessary to actually tighten the plug a little and then rock the plug back and forth to loosen up the threads and fouling.

If you cannot get enough leverage with the allen key, you may want to slip a steel or metal bar over top of the key to give you the extra leverage needed.

All of this can be avoided if you lubricate your breech plug threads before shooting.

CLEAN & LUBRICATE PARTS:

Stock:

- Clean off debris inside stock channel with a clean cloth. Take care not to loose any parts inside stock. Check ramrod retaining spring for proper positioning. The ramrod retaining spring is held in place by the front lock plate screw.

Breech Plug:

NOTE: IF THE GUN IS BRAND NEW OUT OF THE BOX, YOU SHOULD STILL CLEAN THE BREECH PLUG AND THE BARREL TO REMOVE ANY MANUFACTURING OILS, GREASE OR DEBRIS.

Clean the breech plug with hot soapy water and a nylon brush. Take care to clean out the ignition and fire channel from fouling or debris. A pipe cleaner or small bottle brush can be used to clean and dry the smaller areas in the breech plug. Make sure breech plug is completely dry before lubing.

Lubricate the threads of the breech plug with Traditions Wonderlube 1000 Plus or Traditions breech plug and nipple grease. Make sure not to put lube in the ignition hole in the breech plug.

Barrel:

Clean the barrel with hot soapy water, Traditions Wonderlube 1000 Plus Cleaning solvent, Traditions Easy Clean Spray or Traditions Wonderlube Pre-Soaked Cleaning patches.

Align cleaning jag over top of a soaked patch and run down and up the bore several times to loosen and remove fouling. You may need to use several patches until bore becomes clean.

For tough to clean areas use a Tradition's nylon or brass bristle cleaning brush attached to the ramrod to loosen up the fouling and then repeat procedure until clean.

Use your ramrod supplied with the gun or a Traditions Range rod with a Tradition's Cleaning jag attached to the end and run clean patches through until inside of barrel is dry.

Completely dry exterior of barrel with clean cloth. Lightly oil the outside of the barrel.

ASSEMBLY

To install breech plug, touch hole liner, tang, trigger assembly and barrel.

Breech Plug:

If you haven't lubricated your breech plug threads yet do so now. Follow the directions above in the Breech plug section.

Screw the breech plug into the barrel and tighten with the supplied allen key.

Make sure that the plug is hand tightened and the alignment marks both line up with one another. These marks make sure that the flash hole is properly aligned.

You can visually inspect the hole to check and see that the holes are lined up.

Touch Hole Liner:

Screw the touch hole liner in the side of the barrel where removed with a flat-head screwdriver. Hand tighten.

Tang & Trigger Assembly:

If you haven't removed these parts, then skip to the Barrel section below.

- Place trigger in stock cut-out with trigger facing correct way.
- Place tang into stock cut-out and insert screw. Use a flat-head screwdriver to tighten. Hand tighten.

Barrel:

Double check to make sure all parts are tight before installing. Make sure ramrod retaining spring is in proper place before installing barrel into stock. The ramrod retaining spring should hang off behind the front lock plate screw with the open end of the "U" up, facing towards the rear of the stock.

- Insert barrel at the same angle as you disassembled it. Twist back and forth as you are inserting it into the tang.

NOTE: A RUBBER MALLET MAY BE USEFUL TO FULLY SEAT THE BARREL INTO THE TANG.

When fully inserted into the tang, squeeze the barrel down into the stock so that the tenon hole is lined up to tap the wedge through the stock and barrel. Make sure you insert the wedge into the lock side of the stock only.

Tighten both lock plate screws into the lock.

Insert the ramrod into the thimbles. Note: If ramrod is loose when replaced into the thimbles, the ramrod retaining spring maybe positioned incorrectly. You will have to remove the barrel to check.

Check proper functioning of the lock by pulling the hammer back into the half-cock position and pushing forward to make sure it doesn't fall forward. Then pull the hammer back into the full-cock position and push forward to make sure it doesn't fall forward. Pull trigger to make sure hammer falls forward towards the frizzen in the open position.

INSTALLING THE FLINT INTO THE JAWS

NOTE: BEFORE PRIMING ANY FLINTLOCK, MAKE SURE YOU CLEAN OUT THE FLASHHOLE WITH A CLEANING PICK OR BRASS WIRE. THIS WILL ENSURE THAT THERE WILL BE A CLEAR PASSAGE WAY FOR THE SPARK TO TRAVEL TO THE POWDER CHARGE.

- Place the hammer into the half-cock position.
- Unscrew the top hammer screw until jaws are wide enough to accept the flint.

The flint will need something to support it in the jaws. We recommend using a small piece of leather. The excess leather should be trimmed away up to the edge of the jaws so not to interfere with the ignition process.

The flint edge needs to be positioned with the leading edge in an upward position towards the frizzen. By placing the flint's leading edge upward in the jaws it will provide a more accurate and consistent spark.

When the hammer is in the half-cock position and the frizzen is closed, the flint should be tightened approximately 1/16" away from the face of the frizzen.

With an UNLOADED MUZZLELOADER, place the hammer in the full cock position and test fire the flint to make sure you get a spark when hitting the frizzen. If you do not get an adequate spark, reposition the flint inside the jaws until you do or hand knap the end of the flint.

- You are now ready to load your muzzleloader.

NOTE: FLINTS, TOUCH HOLE LINERS, MAINSPRINGS AND FRIZZENS ARE RELATIVELY INEXPENSIVE AND SHOULD BE CHANGED FREQUENTLY TO KEEP MUZZLELOADER IN PROPER WORKING ORDER. APPROXIMATELY ONCE A YEAR SHOULD BE ADEQUATE. THE MORE SHOOTING YOU DO THE MORE YOU SHOULD CHANGE THESE PARTS.

LOADING YOUR MUZZLELOADER

Prepare your muzzleloader for loading and shooting:

Make sure that the excess manufacturing oils, grease and moisture was cleaned out from inside of the barrel and all other working parts of the muzzleloader before initial loading and shooting. These lubricants have been applied to keep rust or corrosion away during shipping. This is a very important step when loading and shooting your muzzleloader anytime.

If these steps haven't been done review the Disassembly section before performing any of the following steps.

1. Open the frizzen and clean the pan and the frizzen face with acetone and a clean cloth. Make sure no moisture or oil is in the pan and frizzen to help prevent misfires.
2. Use a Traditions Universal Cleaning pick to clean out the flash hole free from fouling or debris.
3. Your flintlock is now ready to be loaded.

Loading the Powder and the Projectile:

The PA Pellet Flintlock has been designed to be able to shoot the newest types of powders and projectiles. Tradition's recommends using a sabot projectile with loose or pelletized powder. Conical bullets will shoot accurately but should be used with loose powder only. Patched round balls can be used but will not give you the best accuracy because of the fast rifling twist in the barrel.

Place the hammer in the half-cock position and open the frizzen. This is an important step because with the frizzen in the open position it guards against any accidental drop of the hammer to initiate a spark ignition.

Stand the rifle with the butt end down and pointed away from you and others. It helps to use a shooting table where you can rest the rifle while loading.

CAUTION: NEVER WORK WITH YOUR FACE OR ANY PART OF YOUR BODY OVER THE MUZZLE, EVEN WHEN THE GUN IS BELIEVED TO BE UNLOADED. ALWAYS KEEP THE MUZZLE OF THE GUN POINTED UPWARD AND DOWNRANGE.

CAUTION: ALWAYS USE HEARING AND EYE PROTECTION WHEN FIRING ANY FIREARM.

Tradition's recommends using Black Powder, Pyrodex or Triple 7 powder in your Traditions Flintlock muzzleloader.

NOTE: TRIPLE 7 HAS BEEN ADDED TO THE RECOMMENDED POWDER TYPE AS OF JANUARY 2002.

If you are using pellets, drop the recommended amount down the barrel. Make sure to drop the pellets down the bore with the priming side facing down towards the breech. Also, do not crush the pellets when seating the projectile on top of them. This may cause inconsistent shot groups.

If you are using loose powder, fill a powder flask or powder horn with the powder of choice. Never pour powder directly from a Manufacturer's container, flask or horn into a barrel. If a burning ember is left inside the barrel it could ignite the powder being poured into the barrel and follow it up into the can or flask resulting in an explosion.

Set a powder measure or calibrated device to the desired charge and fill from the flask or powder horn.

Pour the measured charge into the barrel. Slap the side of the barrel with the palm of your hand to settle the powder into the breech area of the barrel.

Loading Saboted Bullets:

The plastic material used in our Traditions sabots is self-lubricating, therefore you need not pre-lube your bullets. Insert the base of the bullet into the sabot, making certain the bullet is firmly & fully seated against the bottom of the sabot. Place the assembled projectile into the muzzle. Start the projectile with your thumb.

Using a Traditions Ball Starter, place the short shaft on top of the bullet and drive it downward until the starter hits the top of the muzzle. Next, push the projectile deeper into the bore using the longer shaft of the ball starter until it hits the muzzle. Use a Traditions Sabot Loading jag on your ramrod and position it on top of the bullet inside the bore. Holding the ramrod no further up than 6" over the bore apply firm pressure downward until the bullet is on top of the powder. (Holding the ramrod any higher will increase your chances of breaking your ramrod.)

CAUTION: MAKE SURE THAT PROJECTILE IS DEFINITELY SEATED ON TOP OF THE POWDER CHARGE. IF FOR ANY REASON YOU FEEL THAT IT IS NOT, THE RIFLE MUST BE DISASSEMBLED AND THE CHARGE REMOVED. IF A PROJECTILE GETS STUCK HALFWAY INSIDE THE BARREL A BURST BARREL MAY OCCUR AND CAUSE MAJOR INJURY TO YOU AND BYSTANDERS.

NOTE: IF YOU ARE USING PELLETS DO NOT CRUSH THEM WHEN LOADING THE BULLET. TESTING HAS SHOWN THAT CRUSHED OR BROKEN PELLETS CAN CAUSE BULLET-GROUPING PROBLEMS.

NOTE: WHEN USING CONICAL BULLETS OR PATCHED ROUND BALLS, IT IS RECOMMENDED TO USE LOOSE POWDER ONLY. DO NOT USE PELLETIZED POWDER AS PER THE POWDER MANUFACTURER.

MORE IMPORTANT LOADING TIPS:

IMPORTANT: AFTER THE PROJECTILE IS FULLY SEATED, MAKE SURE YOU MARK YOUR RAMROD AT THE MUZZLE TO GIVE YOU A REFERENCE MARK FOR FUTURE LOADING. USE A KNIFE TO MARK THE SPOT TO SHOW WHEN THE PROJECTILE IS SEATED TO THE SAME DEPTH EACH TIME.

NOTE: AFTER SEVERAL SHOTS LOADING MAY BECOME MORE DIFFICULT BECAUSE OF THE FOULING BUILDING UP INSIDE THE

BORE. SWAB THE BORE WITH A PATCH LUBRICATED WITH WONDERLUBE 1000 PLUS' TO CLEAN OUT ANY FOULING. WE RECOMMEND SWABBING THE BORE AFTER EVERY SHOT TO MAKE CLEANING AND LOADING AN EASIER TASK.

PRIMING THE MUZZLELOADER:

As long as you have followed the proper safety and loading procedures your muzzleloader will now be ready to prime and fire.

CAUTION: DO NOT PRIME THE MUZZLELOADER UNTIL YOU ARE ACTUALLY READY TO FIRE.

Carrying a loaded and primed muzzleloader in the field or on the range can cause death or serious injury to you or others. The best way to carry the firearm is to place the hammer into the half-cock position, unprimed with the muzzle pointed in a safe direction at all times.

Priming:

- Fill your Traditions pan primer with ffffg (4f) black powder.
- Position the muzzle down range or in a safe direction.
- Place the hammer in the full cock position. (All the way back.)

IMPORTANT INSTRUCTIONS WHEN USING PYRODEX PELLETS!

If you are using Pyrodex Pellets or any pelletized type powder, you must:

- Tilt the muzzleloader with its' lock side up, keeping the barrel pointed in a safe direction.
- Prime the touch hole (flash hole) with one or two presses of the pan primer.
- Tap the lock side of the muzzleloader so that the priming powder will fall into the breech area.
- Now, fill approximately 1/2 of the pan with the priming powder.
- Close the frizzen.

Why do I have to prime the touch hole when using pellets?

The reason you need to prime the touch hole or flash hole is because the pellets are made from loose powder into a solid. The solid pellet rests against the front of the internal breech plug. With loose powder some of the loading powder falls into inner area of the breech plug which then shortens the path for the spark from the flint to travel to ignite the powder. With the solid pellet, since there is no loose powder to fall into the inner area of the breech area, we have found that by priming the touch hole it acts as carrier of the spark directly to the loading powder. This procedure has been proven to give you a good, solid ignition.

If you are using loose powder follow these directions:

- Follow steps 1-3 as above.
- Fill the pan with approximately 1/2 of the pan with the priming powder.
- Close the frizzen.

If you decide that you are not going to fire the muzzleloader, you must open the frizzen and dump the priming powder out of the pan and return the hammer into the half-cock position.

CAUTION: IF THERE IS STILL A CHARGE INSIDE THE BARREL, THE MUZZLELOADER IS CONSIDERED LOADED.

RECOMMENDED POWDER AND PROJECTILES

Every muzzleloader shoots a little different than the next one. Finding the exact load for your muzzleloader will be found by some experimenting with different powder and projectile combinations. Use the guide below to start out, if you find that some other load works best in your gun, then use it as long as it is within the recommended limits.

POWDER	PROJECTILE
Pyrodex Pellets (50 grain/ .50 caliber) Amount: up to 100 grains	Traditions Supreme Mag Hunter #A1497, A1498 – .44 caliber, 240 grain bullet
Pyrodex Pellets (50 grain/ .50 caliber) Amount: 100-150 grains	Traditions Expander MZ #A1471 .45 caliber, 250 grain bullet
Pyrodex RS or Select loose powder Amount: 80-100 grains	Traditions Supreme Mag Hunter #A1497, A1498 .44 caliber, 240 grain bullet
Pyrodex RS or Select loose powder Amount: 100-150 grains	Traditions Expander MZ #A1473 .45 caliber, 300 grain bullet or Traditions Supreme Mag Hunter #A1494 .45 caliber, 300 grain bullet
Triple 7 powder Amount: 65-100 grains	Traditions Supreme Mag Hunter #A1497, A1498 .44 caliber, 240 grain bullet
Triple 7 powder Amount: 100-150 grains	Traditions Expander MZ #A1473 .45 caliber, 300 grain bullet

NOTE: TRIPLE 7 POWDER HAS BEEN DESIGNED TO GIVE YOU HIGHER VELOCITIES WITH LESS POWDER.

Maximum Powder Charge: 150 grains of Pyrodex RS, Select, Pellets or Triple 7.

SIGHTING IN:

Start your sighting in at approximately 25 yards with a large target. You want to achieve a grouping of shots no matter where on the target first. After you are able to shoot at least 3 shots in the same 2" area, then adjust your sight to the center bullseye.

To adjust: Move the rear sight in the direction you want the bullet to go.

NOTE: TRADITIONS RECOMMENDS WHILE SIGHTING IN YOUR MUZZLELOADER THAT YOU CLEAN THE BORE BETWEEN EACH OF YOUR SHOTS. BY DOING THIS YOU ARE STARTING OUT WITH A FRESH, SEASONED BORE THAT WILL HELP PREVENT SOME SHOOTING ERRORS SUCH AS POWDER BUILD UP THAT COULD CAUSE INACCURACIES.

CLEANING YOUR MUZZLELOADER

Cleaning your muzzleloader is one of the most important details of muzzleloading. This step is crucial to maintaining proper function and a lasting life of your muzzleloader. Black powder is highly corrosive material and can rust or ruin a muzzleloader as quick as overnight so you must clean it after each use. Pyrodex powder has been designed to be less corrosive than Black powder and has been proven to need less cleaning between shots than black powder. You must swab the bore between each shot when using Black powder. We recommend that you simulate the barrel the same way you would go out into the field, which means a clean barrel. Cleaning between each shot or every other shot will give you a more accurate shot grouping of that when you fire the muzzleloader in a hunting or target situation.

We segment cleaning into two sections for different reasons. The first cleaning is a field cleaning and the second is a complete cleaning. A field cleaning entails swabbing out the barrel or bore and breech area from fouling between shots. A complete cleaning of your muzzleloader is to be performed as soon as possible after your shooting session is completed. A complete cleaning is when you will disassemble the muzzleloader to clean and lubricate all parts for the next shooting session, or storage until next season.

Field Cleaning:

- After every shot or two, or as soon as you notice any resistance in starting or seating a projectile down the barrel you will want to run a cleaning patch or two down the bore.
- Place a Tradition's cleaning patch treated with Tradition's Easy Clean solvent or Wonderlube 1000 Plus solvent on a Traditions cleaning jag.
- Run the soaked patch down and up the bore a few times to remove the fouling build up.
- For very fouled barrels, it may be necessary to use more than one patch or a nylon or brass bristle cleaning brush.
- Repeat with a clean treated patch down and up the bore once or twice to coat the inside for easier loading.
- Use a Tradition's Cleaning pick or a pipe cleaner to clean the touch hole from fouling or debris that may interfere with your next ignition. The pipe cleaner will help dry out the hole.
- Reload your muzzleloader if you are still shooting.

Complete Cleaning:

- To perform a complete cleaning you will need to follow the Disassembly instructions mentioned in the beginning of this manual.
- After disassembling your muzzleloader follow these easy instructions.
- Fill a bucket with about 4 to 5 inches of very hot, soapy water. Place the muzzle end of the barrel into the cleaning solution.
- Using your ramrod, place a cleaning patch to the end of the cleaning jag and pump the water up into the barrel repeatedly. Do this until the inside of the bore is clean.
- For heavily fouled barrels it may be necessary to use a Traditions nylon or brass bristle cleaning brush to remove the fouling build up.
- When the inside of the barrel is clean, run a dry patch up and down inside the bore until dry.

To remove the tang and trigger assembly:

- Unscrew the flathead screw from the tang.
- The tang screw also holds the trigger assembly in place. Take care to not drop the trigger assembly when tang is unscrewed.

To remove lock and lock plate:

- Unscrew the two lock plate screws from the side of the stock.
- Lock should come out of the opposite side of the stock.
- Take care not to loose any parts.
- Clean the lock plate and parts with a Tradition's double-ended cleaning brush to remove any debris. Take care not to get any water or fouling inside the trigger assembly.
- Clean all residue or debris inside and outside the stock.
- When all metal parts are clean and dry, apply a light coating of Tradition's Wonderlube 1000 Plus lubricant to keep from rusting and working properly.
- Lightly coat the inside and outside of the bore with Tradition's Wonderlube 1000 Plus.
- Reassemble the muzzleloader.
- Store your muzzleloader in a cool, dry secured area. Storage in a gun case is not recommended, as it could produce condensation and corrosion. During long periods of storage a heavier application of oil is recommended.

SUPERIOR ACCURACY

Your new Traditions firearm has been engineered and manufactured to precise tolerances on modern computerized machinery. With proper care and cleaning, your new Traditions firearm will retain its superior appearance and accuracy for many years to come.

There are many environmental factors that influence accuracy such as humidity, temperature etc. Also, variations in measurements of the loads, the manufacture of the propellant charge and projectiles from lot to lot and between different manufacturers have an influence.

Shooting the same load, propellant and projectile, in the same volume and bullet weight is critical to achieve consistency.

Black powder and Pyrodex are hygroscopic and the amount of moisture content from one shooting session to another can contribute to variation in performance.

Accuracy can be affected by the simple take-down and reassembly of the rifle components. Although the sights or scope may not have moved, various forces such as tightness of the underside hex bolt, pressure from the way the stock touches the barrel (more common

with wood stocks that can be effected by moisture in the environment), the torque applied to the breech plug from installation to installation, etc. can all change the point of impact.

A clean barrel bore is definitely more accurate than one with accumulated fouling. Cleaning the bore of the barrel with one or two lubricated cleaning patches, attached to the cleaning jag end of a ramrod, between shots is the single most effective thing you can do to optimize accuracy between shots. This not only cleans away the bulk of the fouling, but at the same time lubricates the rifling for ease of loading and reduces the friction of the sabot as it exits the barrel.

HELPFUL MUZZLELOADING ACCESSORIES

In order to participate fully in the sport, you will probably want to consider the purchase of the various Traditions accessories mentioned in this manual. Your firearms retailer should stock a complete line of accessories from Traditions. If not, ask him to order them for you. Visit him soon to discover all the ways to make your muzzleloading experience even more enjoyable and convenient.

Write to Traditions for a current catalog showing a complete line of firearms, ammunition, and accessories or view it on our web site www.traditionsfirearms.com. Your local retailer can special order any Traditions products you want.

SHOOTING AND GUN CARE AIDS

To help insure trouble free performance, protect your firearm with good gun care products and habits. The following items are mentioned in this booklet and will facilitate the shooting and cleaning of your new Traditions firearm. Your local firearms retailer should have these and other Traditions accessories in stock. If necessary, he can order them from his supplier.

1. Wonder Lube 1000 Plus™ (Traditions A1254, A1294) - All natural ingredients for seasoning the bore and reducing fouling and corrosion. Ideal for lubing bullets.
2. Wonder Lube 1000 Plus™ Cleaning Patches (Traditions A1362) - 100 Pretreated cleaning patches used to remove fouling and make loading easier.
3. Wonder Lube 1000 Plus™ Bore Cleaning Solvent (Traditions A1295) An all natural solvent for removing fowling and lubricating the bore.

4. Wonder Lube 100 Plus™ Shooting Patches (Traditions A1240) - 100 all cotton pre-lubricated patches for use with lead round balls. Reduces fouling and makes loading easier.
5. Cleaning Patches (Traditions A1236) - 50 large all cotton patches for cleaning and lubricating the interior of the barrel.
6. Gun Oil (Traditions A1232) - Outstanding gun oil. Neutralizes fingerprints and prevents rust. Convenient spray bottle.
7. Bore Brush (Traditions A1278) - A sturdy bronze brush for thorough cleaning of the bore. Fits all brands of threaded ramrods with 10/32 threads.
8. Ramrod Accessories Pack (Traditions A1205, .50 Cal.; A1342, .54 Cal.) Includes most frequently used screw-on ramrod tips. Fits all 10/32 threaded ramrods.
9. Double-End Cleaning Brush (Traditions A1364) - A versatile brush for cleaning the breech plug, receiver interior.
10. Muzzleloading Cleaning Kit (Traditions A3875, A3874) - Contains essential cleaning tools.

For your convenience, Traditions offers complete shooting kits with all the essential tools needed to load, shoot and clean your muzzleloader. Your local retail gun store should stock these and other Traditions shooting aids and can order any Traditions firearm or accessory at your request.

Call or write for a free Traditions catalog, showing the largest selection of muzzleloading guns and accessories available, 1-800-526-9556. www.traditionsfirearms.com

PREFERRED CUSTOMER WARRANTY REGISTRATION CARD



Referencing the label on the end of the carton, please write in the last 5 digits located on the right half of the UPC code into the boxes below.

UPC #

4	0	5	8	9	-					
---	---	---	---	---	---	--	--	--	--	--

Model # _____
 Serial # (from barrel) _____
 Name _____ Age _____
 Street _____
 City _____ State _____ Zip _____
 Day Time Phone # _____ Date of Purchase _____
 Purchase Price _____ Store Name _____

Cut Along Dotted Line

1. **What is your age?** Under 18 18-24 25-34 35-44 45-54 55-64 over 65
2. **Reason for your purchase** Hunting Target Shooting Personal use Gift
 Raffle Prize Other
3. **Do you own?** Other muzzleloaders Over/Under Shotgun Side by Side Shotgun
 Semi-Auto Shotgun Pump Shotgun Cartridge Rifle Handgun Bow
4. **Where purchased?** Gun Shop General Sporting Goods Store Hardware Store
 Chain Store Mail Order Catalog Internet Store
5. **Is this your first muzzleloader?** Yes No
6. **Which factors influenced your purchase?** Previously owned a Traditions product
 Magazine Ad/Article Internet/Website Traditions Catalog Recommendation of Salesperson
 Recommendation of a Friend Price Features Other
7. **What type of game do you hunt?** Whitetail Deer Mule Deer Elk Bear
 Antelope Turkey Small Game Other
8. **What do you think is the best way to get information about Hunting & Hunting products?**
 Magazine Ads Internet/Website Television Programs Radio
- 9a. **Which magazine do you read?** _____
- b. **Which TV hunting show do you watch?** _____

- Check here to receive a free Traditions catalog showing muzzleloadings' largest selection of firearms and accessories or visit our website at www.traditionsfirearms.com
- To receive a Traditions Firearms Logo cap and catalog, send \$11.95 along with your warranty registration card.



NOTE: Return this card within 15 days of purchase in order to validate your limited lifetime warranty.

Please complete all information above and mail to:

TRADITIONS™
PERFORMANCE FIREARMS

P.O. Box 776 • Old Saybrook, CT 06475-0776
www.traditionsfirearms.com

