

AMERICAN TACTICAL™



Patent pending steel-reinforced polymer lower receiver

- Reinforced at critical point of buffer tube housing for years of shooting
- Lightness of polymer with stability of a billet receiver

Patent pending inter-lock hammer and trigger pin retention system

- Prevents movement from the hammer and trigger pin during firing

INSTRUCTION MANUAL

.22LR

.223/5.56

.300 Blackout

.410 Gauge

ATTENTION: Before removing the firearm from its package read & understand warnings and full instructions and precautions in this owner's manual

INDEX

Safety Rules	4-5
Instructions for Use	6-8
Ammunition	6
Assembly	9
Loading	10
Firing	11
Unloading	11
Cleaning Misfires	12
Disassembly	12
Cleaning	13
Maintenance	13
.410 Upper Instructions	14-15
Troubleshooting	16-17
Service Instructions	18-20
Warranty	21-22

WARNINGS

PLEASE BE AWARE THAT A CONVERSION KIT IS NOT A WEAPON WHEN NOT ATTACHED TO AN UPPER. HOWEVER, WE WISH TO POINT OUT ALL THE SAFETY RULES THAT APPLY FOR THE USE OF ALL WEAPONS IN GENERAL.

The complete and full knowledge of your firearm may help you to avoid serious injuries due to lack of safety devices. Read the entire manual and learn the proper use of the gun without live ammunition. It is important that you understand the proper use of this product. The life of the people close to you may depend on your safety. If the manual is not clear, please contact the dealer where you bought the gun or call the distributor or the manufacturer by using the contact information provided within this manual.

American Tactical is not responsible for damage to objects caused by misuse of the gun or for injuries to persons or animals, or in case of death, caused voluntarily or involuntarily by the gun user. American Tactical is not responsible for injuries caused by poor maintenance, misuse of the gun, unauthorized or improper modifications. American Tactical declines responsibility for the indirect consequences of any injuries and /or death of persons or animals, damage to objects caused by use of the gun or by primer explosion, by bullet's ricochet, or unsafe loading practices and / or procedure.

THE OMNI HYBRID LOWER IS NOT DESIGNED TO BE USED WITH 50 BMG. DO NOT attempt to use this caliber. This will void any and all warranties and we specifically disclaim for any damage or injury whatsoever occurring in connection with the aforementioned.

American Tactical Recommends the use of all Lucas Oil Outdoor Line Cleaning and Lubricants to maintain your firearms optimal performance.



**AMERICAN TACTICAL
PROUDLY USES
LUCAS OIL OUTDOOR
PRODUCTS
FOR ALL OF OUR FIREARM
MAINTENANCE NEEDS**



A Lucas Oil Lubrication sample is included with all firearm purchases!

SAFETY RULES

1. Read the instructions carefully before use. Reading the manual and a careful examination of the firearm are fundamental to avoiding any kind of problem.
2. Be aware that you are handling a firearm; therefore your knowledge and behavior may affect your life and people close to you.
3. Firearms and ammunitions must be kept in different places.
4. ALWAYS keep firearms and ammunition out of reach of children.
5. Store the firearm in a clean, dry and airy place after use to avoid rust in mechanical parts that may cause serious problems in functioning after a period of inactivity.
6. The firearm must ALWAYS be stored unloaded, ALWAYS check that the chamber is empty.
7. Keep away from open flame or heat sources.
8. NEVER leave a loaded firearm unattended.
9. NEVER leave the firearm loaded and with a closed bolt carrier.
10. ALWAYS point the firearm in a safe direction, and handle as if it was loaded, especially when handing to another person. NEVER take someone's word that it is unloaded. Check that the firearm is unloaded before laying it down or handing it to someone else.
11. After use, clean and lubricate the inside of the barrel with appropriate oil. Avoid grease or oil buildup that can cause excessive pressure and result in serious personal injury. Inspect the barrel and chamber to make sure there are no obstructions in the bore. Remove any oil residue with rod and dry patch before shooting.
12. Accumulation of rust in the barrel can cause excessive pressure resulting in serious injury and may cause the barrel to explode. A rusted, pitted, or eroded barrel should be replaced.
13. Wash hands thoroughly after shooting and handling firearms to remove any unwanted residues.
14. ALWAYS keep the firearm unloaded when transporting it from home to shooting areas and check that the chamber is empty.
15. NEVER run with a loaded firearm, don't cross any obstacle (fences, water courses, etc.) or walk where there is any possibility of slipping or falling without having your firearm unloaded and in safe condition.
16. DO NOT smoke while handling, loading, or shooting any ammunition, especially black powder. Keep black powder in a closed container at all times, reclosing the container after every use.
17. NEVER drink alcoholic beverages or take any drugs before or during shooting, as this not only constitutes criminal disregard for your safety and that of others, but will seriously impair your judgment and vision. NEVER use a firearm while you are taking medication unless you have checked with your doctor to ensure your ability to handle the firearm safely.

SAFETY RULES - Continued

18. **DO NOT** rest your finger on the trigger until you are ready to shoot. Keep the safety on until you are ready to safely shoot at an intended target (see safety features). Note: safety devices on firearms are extras, and are not a substitute for safe handling procedures.
19. **ALWAYS** wear and encourage those around you to wear ear protection when shooting, especially on a range, as repeated exposure to the noise can cause permanent hearing loss.
20. **ALWAYS** wear protective shooting glasses to protect your eyes from injury by firearm powder, gas, lubricant, dirt, metallic particles, carbon residue, sparks or other debris.
21. Use exclusively factory loaded ammunition of the caliber specified on the firearm barrel. Use of incorrect ammunition may cause serious injury.
22. Before shooting **ALWAYS** check to ensure that the barrel is free of obstructions.
23. When selecting a place to shoot, **ALWAYS** be absolutely sure of your target and the area behind it before you touch the trigger, making sure there is an adequate backstop which will stop and contain bullets. A bullet can travel through or past your target for several miles. If you have any doubt, **DO NOT** shoot.
24. Keep all bystanders behind you. Standing beside a shooter is not a safe position. Make sure all other shooters and bystanders are well away from the ejection port.
25. **NEVER** shoot against a solid surface or into a pool of water. The projectiles could ricochet in any direction. Don't shoot up into the sky.
26. **NEVER** force a jammed action. It could cause an explosion or uncontrolled discharge of the round and consequent injury.
27. In case of misfire, manually extract the cartridge from the chamber. If firearm fails to fire when trigger is pulled, as a result of slow primer ignition (hang fire), keep muzzle pointed downrange for a minimum of 30 seconds. If the round does not fire, remove the magazine, clear the firearm and examine the ejected, unfired cartridge. If the indent from the firing pin is off center, light or absent, take the firearm to a competent gunsmith. If the indent appears normal compared to the other rounds, assume it is a faulty round. Separate from other cartridges, reload and continue shooting.
28. **DO NOT** attempt to re-use damaged or faulty cartridges.
29. **NEVER** modify any parts of your firearm. Any alteration may cause serious personal injury and voids the warranty.
30. Only a qualified gunsmith may service the firearm for repair or serious maintenance.

American Tactical declines any responsibility for misuse of the firearm.
In case of alteration of the firearm, American Tactical declines any civil and penal responsibility
and will not refund any damage.

The user is responsible for injuries or damages caused to him or to other persons.
COMPLETE KNOWLEDGE OF YOUR FIREARM CAN MAKE THE DIFFERENCE.

QUALITY INSPECTION: Every firearm is thoroughly inspected for
function and cosmetic blemish prior to shipment

INSTRUCTIONS FOR USE

ATTENTION: American Tactical uses only Mil-Spec parts in the production of the Omni Hybrid Lower Receiver. Receiver buffer tube threads are manufactured to military specifications. Use of other than mil-spec parts may not perform up to American Tactical's standards and may void warranty.

AMMUNITION

For best performance of the OMNI we recommend the use of quality ammunition high
velocity and no reloads

Please allow 100-150 rounds for initial "Break-In" period *OMNI 410 Break-In is 500

NOTICE

WE SPECIFICALLY DISCLAIM RESPONSIBILITY FOR ANY DAMAGE OR INJURY WHATSOEVER
OCCURRING IN CONNECTION WITH, OR AS THE RESULT OF, THE USE OF FAULTY, OR
NONSTANDARD, OR "REMANUFACTURED" OR HANDLOADED (RELOADED) AMMUNITION, OR
OF CARTRIDGES OTHER THAN THOSE FOR WHICH THE FIREARM WAS ORIGINALLY
CHAMBERED.

INSTRUCTIONS FOR USE- Continued

- Death, serious injury, and damage can result from the use of wrong ammunition, bore obstructions, powder overloads, or incorrect cartridge components.
- Use only ammunition specifically recommended for your firearm. This is specified on the barrel.
- Use only high quality original factory manufactured ammunition.
- DO NOT use ammunition loaded with non-jacketed lead projectiles.
- Your firearm has been designed for ammunition of a specific caliber-DO NOT alter the barrel, chamber or caliber for which your firearm was designed.
- Be sure you NEVER mix ammunition.
- Firearms may be damaged, and serious injury to the shooter or others may result from any condition causing excessive pressure inside the chamber of a barrel during firing. Excessive pressure can be caused by an obstruction in the barrel, propellant powder overloads, or by the use of incorrect or defectively assembled cartridges. In addition, the use of a dirty, corroded or damaged cartridge can lead to a burst cartridge case and consequent damage to the firearm and personal injury from the sudden escape of high pressure propellant gas within the firearm's mechanism.
- Oil bore solvents and other lubricants shall be removed from the bore and chamber prior to loading and firing your firearm.
- IMMEDIATELY stop shooting and check the barrel for possible obstruction when ever:
 - You have difficulty in, or feel unusual resistance in chambering a cartridge.
 - A cartridge misfires (does not go off).
 - The mechanism fails to extract a fired cartridge case.
 - Unburned grains of propellant are discovered in the mechanism.
 - A shot sounds weak or abnormal.
 - In such cases it is possible that the bullet is lodged part way down the barrel. Firing a subsequent bullet into the obstructed barrel can damage the firearm and cause serious injury to the shooter or bystanders.

INSTRUCTIONS FOR USE- Continued

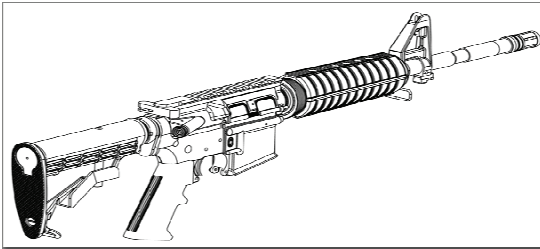
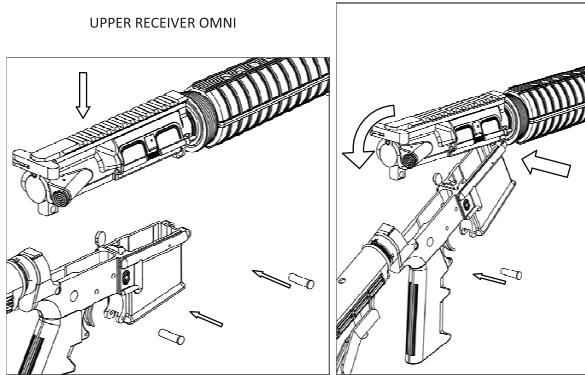
- Bullets can become lodged in the barrel if:
 - The cartridge has been improperly loaded without propellant powder, or if the powder fails to ignite. (Ignition of the cartridge primer alone will push the bullet out of the cartridge case, but usually does not generate sufficient energy to expel the bullet completely from the barrel).
 - The bullet is not properly seated tightly in the cartridge case. When such a cartridge is extracted from the chamber without being fired, the bullet may be left behind in the bore at the point where the rifling begins. Subsequent chambering of another cartridge may push the first bullet farther into the bore.
- If there is any reason to suspect that a bullet is obstructing the barrel, immediately unload the firearm and look through the bore. It is not sufficient to merely look in the chamber. A bullet may be lodged some distance down the barrel where it cannot easily be seen. If a bullet is in the bore, DO NOT attempt to shoot it out by using another cartridge, or by blowing it out with a blank or one from which the bullet has been removed. Such techniques can generate excessive pressure, damage the firearm and cause serious personal injury. Remove the bullet with a cleaning rod, a wood or brass dowel (use hand pressure only, NEVER "hammer" a bullet lodged in the bore). Clean any unburned powder grains from the bore, chamber and mechanism before resuming shooting. If the bullet cannot be dislodged by tapping it as referenced above, then take the firearm to a gunsmith.
- Dirt, corrosion, or other foreign matter on a cartridge can impede complete chambering and may cause the cartridge case to burst upon firing. The same is true of cartridges which are damaged or deformed.
- DO NOT oil cartridges, and be sure to wipe the chamber clean of any oil preservative before commencing shooting. Oil interferes with the friction between the cartridge case and chamber wall that is necessary for safe functioning, and subjects the firearms to stress similar to that imposed by excessive pressure.
- Use lubricants liberally on the moving parts of your firearm. Avoid excessive spraying of any aerosols. Spray can lubricants in particular can penetrate cartridge primers and cause misfires. Some highly penetrative lubricants can also migrate inside cartridge cases and cause deterioration of the propellant powder; on firing, the powder may not ignite. If only the primer ignites, there is a danger that the bullet may become lodged in the barrel.

USE OF RELOADED OR IMPROPER AMMUNITION VOIDS THE WARRANTY

Assembly

Disassemble the upper part of your weapon pushing the two pins (manually or with the special key) as indicated in picture no. 1. Remove the original charger.

Mount the upper of choice leaning it on the front thrust bridge first, fix the front blocking pin, then lean the upper onto the lower part. Please make sure the hammer is cocked, or the upper cannot be pushed down onto the lower part. Insert the back locking pin.



NOTE : there are several "M16" models on sale, which have a different front and rear pin. You can use the special adaptors supplied by all major parts suppliers.

Make sure that the breech bolt is completely inside its housing and does not protrude. The bolt must also be pushed down completely, with the openings into the corresponding notches.

DO NOT BLANK SHOOT

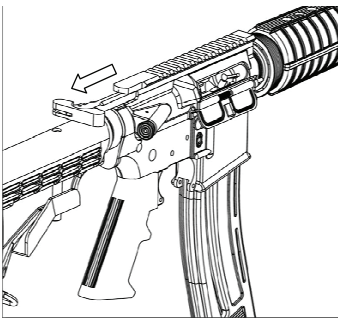
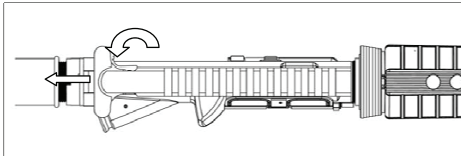
Loading

Warning: Make sure that the firearm is unloaded (chamber cleared, barrel clear of any obstructions, magazine empty) for inspection and that the safety is in the safe position. Keep muzzle pointed in safe direction and follow all safety procedures at all times. Practice these steps with an unloaded gun or dummy ammo until you are completely familiar and comfortable with the procedures. Use live ammo only when you are prepared to shoot. Always use clean, dry, high quality ammunition (of the proper caliber) that meets industry performance standards.

1. Press magazine release and remove empty magazine (fig. 5).
2. Insert the loaded magazine until the magazine catch locks it in position (fig. 7).



3. To load the chamber with the first cartridge, pick up the firearm with your shooting hand and point the muzzle in a safe direction.
4. Use your other hand to retract and release the bolt with the help of the charging handle. As the bolt travels forward it inserts the first round into the chamber. The hammer is now cocked. Leave the safety in the safe position until you are ready to fire.



WARNING: Never put your hand in front of the muzzle.
Always load a round into the chamber by feeding it from the magazine.

American Tactical AR15/M4/M16 are designed so that they are able to fire when the magazine is removed. Therefore, if the magazine is removed from the firearm and there is a loaded round in the chamber, it will fire if the trigger is pulled. After inserting a magazine, ALWAYS test to make sure it is locked in place by applying some removal pressure to the magazine.

Your firearm is now ready to fire. Keep your finger out of the trigger guard until you are ready to fire.

Firing

Grasp firearm with one hand on forearm and other hand on grip with index finger resting along outside of trigger guard. Raise firearm and pull buttstock firmly into shoulder.

Aim at a safe target. Push the manual safety to the fire position. Squeeze the trigger slowly and maintain the pressure until the round is fired.

Your firearm loads immediately after firing.

- You may continue to fire by pulling and fully releasing the trigger until the magazine is empty
- If you wish to stop, release trigger, remove finger from triggerguard, and set safety selector to "SAFE"

position. Remove cartridges as explained under section "Unloading"

- If you decide not to fire after the hammer has been cocked or if you decide to suspend firing, keep the firearm pointed in a safe direction.

- Remove your finger from within the trigger guard.

- Place the manual safety in the "SAFE" position and remove the magazine.

- Pull charging handle rearward to eject any remaining cartridge(s).

Make sure that the firearm is unloaded (magazine removed, chamber and barrel cleared)

- You must be certain there is no cartridge in the chamber or obstructions in the barrel.

Remember that any time you release the bolt while a magazine containing cartridges is in the firearm, you will have reloaded the firearm and it will be capable of firing.

Release the upper from the back removing the back locking pin, then pull the trigger while gently accompanying the hammer (in order not to blank fire)

Keep the firearm pointed in a safe direction when decocking. Failure to do this can

result in serious injury or death.

Decocking

- Decock the hammer by first ensuring the magazine is removed and the chamber cleared. Use the charging handle to draw the bolt carrier assembly 1" to the rear. With the bolt carrier in this position, squeeze trigger and gently release the charging handle and let the bolt carrier close. The hammer is now decocked.

Note: DO NOT apply the manual safety after decocking. When the hammer is released the safety should not engage. If it does rotate into the "SAFE" position, the mechanism is damaged and should be taken to a gunsmith. DO NOT ATTEMPT TO LOAD OR FIRE.

Unloading

1. Point the muzzle in a safe direction.

2. Remove the magazine.

3. Ensure that the chamber is empty by pulling back the charging handle to visually inspect the chamber. Keep firearm pointed in a safe direction.

4. Retract the charging handle so that the bolt moves into battery.

5. Push the manual safety to the "fire" position.

6. Squeeze trigger to decock the firearm. The firearm may now be carried safely.

Keep the firearm pointed in a safe direction when unloading. failure to do this can result in serious injury or death.

Clearing misfires

Warning: If your firearm gives any indication that it is not performing properly or the operation of your firearm has changed “the way it feels or sounds”, stop firing. Make sure the firearm is pointed in a safe direction, unload the firearm and have it inspected and test fired by a qualified gunsmith.

1. If a cartridge fails to fire, wait 30 seconds while keeping the muzzle pointed in a safe direction. Keep your finger off the trigger and out of the trigger guard.
2. Place the manual safety in the “SAFE” position
3. Remove the magazine.
4. Grasp the bolt with the charging handle and briskly pull it fully rearward to eject the misfired round.
5. Check the barrel chamber and bore visually for any obstructions. Never look down the barrel from the muzzle end. You must be certain there are no cartridges in the chamber or obstructions in the barrel.

Remember that any time you release the bolt while a magazine containing cartridges is in the firearm, you will have reloaded the firearm and it will be capable of firing.

Note: the forward assist plunger is not in function. In case of feeding failures, retract the charging handle to extract the damaged round.

Warning: Never try to use a misfired cartridge again.

WARNING: Make sure that the firearm is unloaded (magazine removed, chamber cleared, barrel clear of any obstructions, magazine empty) for inspection and that the safety is in the safe position. Keep muzzle pointed in a safe direction and follow all safety procedures at all times. Practice these steps with an unloaded firearm and dummy ammo until you are completely familiar and comfortable with the procedures. Use live ammo only when you are prepared to shoot. ALWAYS use clean, dry, high quality ammunition (of the proper caliber) that meets industry performance standards.

Disassembly (field stripping)

Always follow the disassembly instructions exactly. Never do anything beyond what you are specifically instructed to do in this manual. Never alter or modify the parts in your firearm.

Prior to disassembly, place the manual safety in the safe position, take out the magazine and check that the firearm is not loaded.

Push the rear receiver pin out of the gun to the right. Do not use excessive force.
Push the front receiver pin and disassemble the upper part pushing it upwards

Cleaning

This product should be cleaned after every use and when exposed to dirt, sand, etc. When not in use, clean at least twice per year. A careful and scrupulous ordinary clearing of the firearms is essential to guarantee its safety and long life. We recommend to clean the weapon at least after shooting 200 to 300 rounds. Every time you use your gun it is advised to clean it in order to remove all corroding agents (humidity, powder or lead residues etc.) which can in time alter a few parts. In order to perform a standard clearing, it is sufficient to utilize a good solvent, cleaning oil, a little brush. For a deeper cleaning, please turn to your local gunsmith

Warning: always run the cleaning rods from the chamber end

- Verify gun is ON SAFE.
- Remove charger and clean the retaining lips
- Visually inspect to verify that no ammo remains anywhere in the rifle.
- Remove receiver pins and disassemble the lower and upper parts.
- Thoroughly clean the bolt assembly area with a brush and cloth.
- Remove the sliding block and clean the ejector, breech block, bolt, battery (inside) and barrel breech.
- Clean the barrel with bore solvent utilizing a flexible cleaning rod inserted through breech end of barrel (where bullet seats). Dry the barrel with cleaning patches; always begin at the chamber. Repeat until barrel is clean.
 - Apply a thin coat of oil to all metal parts.
 - Reassemble firearm and check for proper function.

Ordinary and extraordinary maintenance

- Before any sort of maintenance, make sure the firearm is unloaded.
- By "ordinary maintenance" we refer to measures the user should take to keep the gun in good working conditions.
- An "Extraordinary maintenance" implies the replacement of broken parts and therefore disassembling the gun. In this case only authorized personnel or a qualified gunsmith should operate.
- Also a long period of heavy use or inactivity requires an extraordinary maintenance; your gun should be taken to a qualified gunsmith to have the action disassembled for professional cleaning and lubrication.
- Your gunsmith will advise the best lubricant for the good maintenance of your firearm.
- Do not leave oil residues when cleaning and lubricating your firearm.
- Make sure that the mechanism of the weapon is easy; if it starts to stiffen, or if corrosion is starting on some essential parts, you should bring your gun to competent, professional personnel.
 - Do not use pure silicon or lanolin.
 - When ordering parts, it's important to specify date of purchase, serial number, model, caliber and item reference of the part/s needed.
 - If the gun has a problem that you cannot fix, DO NOT FIRE it but send it to an authorized center for a check-up. If you try to fix it personally, you may put in serious danger yourself and the people near you.
 - Always pay great attention and handle the gun very carefully, in order to avoid terrible accidents which may change your life and that of others.

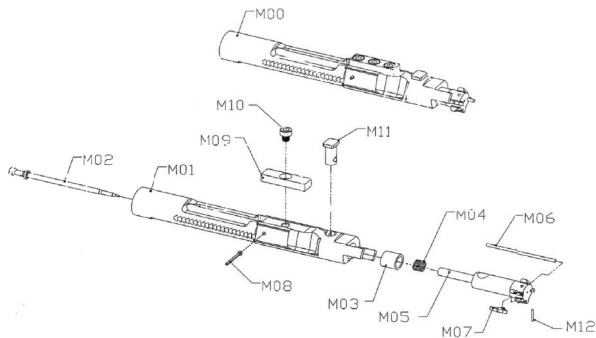
Omni Hybrid .410 Instructions



Disassembly

- To remove the .410 Upper, simply remove the rear and front take down pin on the lower receiver.
- Pull the upper off of the lower receiver. You may now remove the charging handle and bolt from the upper receiver.
- Inspect for any wear or damage to all parts.

NO	PART NAME
M00	BOLT AND BOLT CARRIER GROUP
M01	BOLT CARRIER
M02	FIRING PIN
M03	BUSHING
M04	SPRING
M05	BOLT
M06	PIN
M07	EXTRACTOR
M08	RETAINING
M09	KEY
M10	SCREW
M11	PIN, CAM
M12	PIN



Cleaning

- American Tactical recommends a maximum of 500 rounds shot before a thorough cleaning of the gas system.
- American Tactical also recommends the use of all Lucas Oil Outdoor Line of products in cleaning the .410 upper and all products.



CAUTION!

The American Tactical .410 Upper is designed to fire 2.5" .410 Gauge Shells ONLY!

DO NOT ATTEMPT TO FIRE .45 LONG COLT OUT OF THIS UPPER!

15 Round Patent Pending Magazines

MSRP: \$24.95

Available at

www.americantactical.us



15 Round

5 Round Patent Pending Magazines

MSRP: \$18.95

Available at

www.americantactical.us



5 Round

American Tactical Ammunition

25 Rounds Per Box

.410 Gauge Slugs, Buck, and Birdshot

MSRP: \$10.99

Available at

www.americantactical.us



TROUBLESHOOTING TIPS

PROBLEM	CAUSE	SOLUTION
Last Round Bolt Stop Failure	<p>Bolt travel not sufficient</p> <p>Too high velocity in recoil</p> <p>Dirt / Debris in Action</p>	<p>Use ammunition slightly faster, remember the gun is tuned to shoot ammo 325 m/sec</p> <p>Use ammunition slightly less powerful, too much velocity may compromise the correct functioning of the bolt stop</p> <p>If you have been shooting for a while or using ammunition with excessive fouling, it may be necessary to clean the firearm.</p>
The bolt doesn't cycle correctly or is stuck	<p>Not enough pressure to cycle</p> <p>Dirt / Debris in Action – in breech cycle</p> <p>Ammunition too short or too long for chamber.</p>	<p>Use Higher Velocity Ammo, remember the gun is tuned to shoot ammo 1050 fps (325 m/sec) or greater.</p> <p>Disassemble, clean carefully and oil the upper</p> <p>Check the ammunition / Consider different types of ammunition</p>
Fail to Fire (DNF)	<p>Bolt not completely closed</p> <p>Ammunition with rim out of tolerance</p> <p>Weak hammer spring</p> <p>Firing pin damaged or broken</p>	<p>Carefully clean the breech bolt and barrel & chamber area</p> <p>Change type or brand of ammunition</p> <p>Contact our service center</p> <p>Contact our service center to obtain a new firing pin</p>
Failure to Extract Empty Shell	<p>Dirty chamber</p> <p>Damaged Chamber</p> <p>Damaged Extractor</p> <p>Weak Extractor Spring</p>	<p>Clean cartridge chamber with cleaning brush</p> <p>Contact a professional gunsmith to polish the chamber</p> <p>Contact our service center to obtain a new extractor</p> <p>Contact our service center to obtain a new extractor spring</p>
The empty shell does not eject (stove pipe)	<p>Ammunition with rim out of tolerance</p> <p>Not enough pressure to cycle</p>	<p>Change type or brand of ammunition</p> <p>Use Higher Velocity Ammo, remember the gun is tuned to shoot ammo 1050 fps (325 m/sec) or greater.</p>

<p>The bolt stays completely open</p>	<p>Damaged ejector Dirty chamber Damaged chamber Damaged extractor Weak extractor spring Dirt / Debris in Action Weak recoil spring</p>	<p>Replace magazine Clean cartridge chamber with cleaning brush Contact a professional gunsmith to polish the chamber Contact our service center to obtain a new extractor Contact our service center to obtain a new extractor spring Disassemble and carefully clean the gun Contact our service center to obtain a new spring.</p>
<p>Ammunition does not chamber</p>	<p>Incorrect Ammunition</p>	<p>Check the ammunition and change type if necessary</p>
<p>Magazine is stuck</p>	<p>Dirt / Debris in action or chamber Magazine not properly seated Bullet crimp / design Dirt / Debris buildup Ammunition is too long</p>	<p>Disassemble and carefully clean the gun Check the magazine for correct fit and operation. Check the ammunition and change type if necessary Clean the magazine thoroughly Change type of ammunition</p>
<p>The gun fires with safety "On"</p>	<p>Mechanical Issue</p>	<p>Do not attempt to use the gun, contact our service center immediately to arrange shipment of the gun</p>
<p>The gun shoots low</p>	<p>Rear sight needs adjustment</p>	<p>Lift the rear sight to raise the point of impact or vice versa to lower it.</p>
<p>Shooting left or right (Windage)</p>	<p>Rear sight needs adjustment</p>	<p>Move the rear sight the opposite direction of error (If POI "Point of Impact" is left of center, move the rear sight to the right)</p>

Service Instructions

Should your firearm, or any component of your firearm require service, kindly ship your entire firearm (please do not send components only), via your chosen carrier, postage paid (we do not accept C.O.D. shipments), following these instructions:

SERVICE

You MUST email customer service FIRST at techservice@americantactical.us and provide a detailed description of the problem. Be sure to provide make, model, and serial number of the firearm, as well as the owner's name, address (no P.O. boxes please), and phone number. A customer service agent will contact you normally within one business day. You will then receive a service repair tag that must be attached to each firearm by matching the serial number on the tag to your firearm. There will be a claim check number on the tag that must be detached from the tag and taped firmly to the outside of the return package near the shipping label. Returns will be refused without this tag visibly showing on the outside of the package. Also, be sure to carefully follow all instructions listed below:

- Make absolutely certain your firearm is unloaded.
- Do not send ammunition with your firearm.
- Remove all accessories from your firearm such as scopes, slings, mounts, etc.
- Ship your firearm in a suitable container, packaging it securely to prevent parts from shifting and/or harm during shipping.
- It is advisable to place your correspondence inside your shipping container when shipping.
- Tape the control number stub on the outside of the package as described above.

SHIPPING ADDRESS

Call or view online for
service address

If you have any questions, please contact the Product Service Center by email at techservice@americantactical.us.

Service Instructions

TO ORDER PARTS FROM THE FACTORY SERVICE CENTER

To order parts, you can fax, phone, mail, or e-mail your order to us at one of the below numbers/addresses.

Fax Number: (830) 773-5893

Phone Number: (800) 290-0065

E-mail Address: customerservice@americantactical.us

Mailing Address: [Call or view online for service address](#)

Please provide your name, address, city, state, zip, your daytime phone number and e-mail address. We will need the Model #, Serial #, Gauge/Caliber, Finish, Part # and Part Name.

We accept most major credit cards, money orders, and bank drafts.

SERVICE OUTSIDE OF THE U.S.A.

For American Tactical International firearm parts and service requirements outside of the United States, customers are requested to contact the closest American Tactical International stocking dealer/distributor.

WARRANTY SERVICE RETURNS PROCEDURE:

American Tactical provides warranty services, repairs and parts for our imported and domestic brand products. If you believe your American Tactical product needs service, please contact our Customer Service Department at 1-800-290-0065 to obtain a Return Authorization (RA).

All firearms (pistols, rifles, shotguns, and lower receivers) being sent in for service must be registered through the American Tactical website or by mailing in the firearm's warranty card to receive warranty services.

Firearms that are not registered can be serviced, but will be subject to charge. Once a RA for a firearm is issued by an American Tactical Customer Service Representative, you will be sent a Return Authorization packet via USPS. The RA packet will include a RFID tag for the firearm, a prepaid FedEx shipping label, and instructions on how to send the firearm in for service. To avoid any refusals or delays carefully follow the instructions provided in the RA packet to ensure your firearm is properly received by our Service Department. NOTE: Firearms returning for service must have an RFID tag attached directly to the firearm. Firearms without a RFID tag will be returned to sender.

Warranty Statement

PLEASE REGISTER YOUR FIREARM'S WARRANTY ONLINE AT:

<http://www.americantactical.us/warranty.html>

What is not covered under warranty?

We will not cover damage of your OMNI caused by:

- Failure to provide proper care and maintenance
- Accidents, abuse or misuse
- Barrel obstruction
- Hand loaded, reloaded or improper ammunition
- Unauthorized adjustments, repairs or modifications
- Normal wear and tear

What is excluded from this warranty?

American Tactical Imports excludes and will not pay incidental or consequential damages under this warranty. By this we mean any loss, expense or damages other than to repair defects in the OMNI or replace the OMNI. No implied warranties extend beyond the term of this written warranty.

SERVICES OUTSIDE OF WARRANTY COVERAGE:

Any firearms requiring service outside of the scope of manufacturer warranty require a minimum \$25 shipping and handling fee for return shipping expenses. This fee must be paid prior to issuance of a RA from Customer Service. It is the responsibility of the owner of the firearm to pay shipping expenses incurred for the firearm to return to American Tactical's facility.

Once inspected, you will receive a service quote for the cost of parts and labor for any fees required to service the firearm. No service work will be performed without authorization following issuance of the quote. Should the service quote be accepted, all fees must be paid prior to return of the firearm to the customer. Should the service quote be refused, no work will be performed and firearm will be returned to the customer in the condition in which it was received. If no response to an issued quote is received by American Tactical within 30 days of issuance, the firearm will be returned to the customer in the condition in which it was received.

All payments can be made through American Tactical Customer Service via Credit/Debit Card or by mailing a money order addressed to American Tactical.



AMERICAN TACTICAL

Registration and Warranty Information

Thank you for choosing an American Tactical firearm.

Please Register Online!

Please Visit www.AmericanTactical.us/warranty.html to register your firearm and fill out a brief questionnaire.

If you do not have on-line access, use the back of this card

Registration will be used for product registry in the event your firearm needs service or repair.

American Tactical Lifetime Limited Warranty

American Tactical's LIMITED LIFETIME WARRANTY is in effect for any firearms registered for warranty beginning January 1, 2015. This warranty extends to any and all parts of the firearm as originally sold by American Tactical, but does not extend to firearms altered after their original purchase, firearms damaged through abuse, misuse or lack of proper care and maintenance or firearms used other than for their legal intended purposes. If a firearm cannot be repaired, American Tactical will replace it with a brand new identical firearm. If a replacement firearm identical to the returned firearm is not available, American Tactical will replace it with a firearm of equal value to be determined at our discretion. The American Tactical LIMITED LIFETIME WARRANTY does not allow for monetary compensation for firearms purchased by the end user at the retail level. Any and all claims for monetary return must be addressed with the retail location from which the end user purchased the American Tactical brand domestic or imported firearm and will be subject to the terms and conditions of the retail locations returns policies.

American Tactical is not liable for any returns or claims policies of independent retailers selling American Tactical brand domestic or imported products.

All firearms registered prior to January 1, 2015 are still subject to the previous 2 Year American Tactical Warranty policy. Once expired, firearms registered prior to January 1, 2015 will be subject to the policy detailed below in the section labeled SERVICES OUTSIDE OF WARRANTY.

NOTE: All American Tactical Omni and

American Tactical Omni Hybrid AR receivers have a lifetime warranty regardless of registration date.



American Tactical Product Registration Card

Contact Information

First Name: _____

Last Name: _____

Address: _____

City: _____

State: _____ Zip: _____

Phone: _____

Email: _____

Purchase Information

Date Purchased: _____

Place of Purchase: _____

Make: _____

Model: _____

Serial Number: _____

Purchase Price: _____

Color / Finish: _____

Caliber / Gauge: _____

Magazine Capacity: _____

Additional Information

Gender: Male Female

Marital Status: Single Married

Date of Birth: ____/____/____

Occupation: _____

Including yourself, what is the total number of people living in your household? _____

Your Level of Education:

- Some High School
- Completed High School (or equivalent)
- Some College
- Associate's College Degree
- Bachelor's College Degree
- Master's College Degree or Higher

Number of Firearms you Own: _____

What are your Household Shooting Interests?

- Waterfowl
- Upland Birds
- Turkey
- Big Game
- Small Game
- Trap / Skeet
- Sporting Clays
- Target
- Plinking
- Home Defense

This ATI Firearm will be used for (Fill all that Apply):

- Waterfowl
- Big Game
- Small Game
- Trap
- Skeet
- Other
- Gun Collection
- Sporting Clays
- Target
- Plinking
- Home Defense

Number of ATI Firearms you own: _____

NOTICE: All information on this form is confidential and will not be sold or given to any third parties.



Go to [Facebook.com/AmericanTactical](https://www.facebook.com/AmericanTactical) for constant updates and promotions

Additional Notes:



AMERICAN TACTICAL

Please Visit www.AmericanTactical.us/warranty.html to register your firearm and fill out a brief questionnaire. To register by mail, detach and mail this page. Find the address at www.AmericanTactical.us or give us a call at 800.290.0065