



SPIKES TACTICAL



You must read and understand this manual before using this firearm. You must follow all safety precautions and instructions. If you do not understand any part of this manual or you are unsure about the operation of your firearm, contact Spikes Tactical before proceeding.

WWW.SPIKESTACTICAL.COM

OFFICE: 407.928.2666

2036 Apex CT

Apopka, FL 32703

USA



INDEX

Safety Guidelines	2
Model And Serial Number.....	9
Part Identification.....	10
Inspect For Ammunition.....	11
Ammunition.....	14
Loading	16
Firing.....	20
Malfunctions.....	23
Disassembly For Cleaning.....	26
Remove Bolt Carrier	26
Disassemble Bolt.....	30
Assemble Bolt.....	33
Remove Buffer And Action Spring	34
Install Buffer And Action Spring	36
Install Bolt Carrier	36
Remove Handguards.....	40
Cleaning.....	38
Cleaning The Barrel.....	38
Cleaning The Chamber	38
Cleaning The Exterior.....	39
Collapsible Buttstock	41
Carrying Handle.....	41
Adjust Sights.....	42
Definition of Terms.....	43
Parts Listings	45
Warranty.....	52


SAFETY GUIDELINES

WARNING

You must follow all of the safety guidelines to ensure the safe use of your firearm. Failure to follow these basic firearm safety guidelines may result in an unintended discharge which could cause serious injury or death.

 **Treat every firearm as if it's loaded.**

 **A dropped firearm may discharge. Do not drop your firearm.**

 **Always keep your firearm pointed in a safe direction. Never point a firearm at anyone whether the firearm is loaded or not. Be careful when you're loading or unloading your firearm.**

Firearms must be unloaded when not in use. Load your firearm only when you are in the field or target range and ready to fire. Never let a loaded firearm out of your sight.

Completely unload your firearm as soon as you are finished shooting, before storing, traveling, standing it against anything, laying it down, entering a vehicle, entering a building or bringing it into your home. Do not take anyone's word that a firearm is unloaded, always verify for yourself. Never pass your firearm to another person until you visually check that it is unloaded. Keep your firearm unloaded and safely stored when not in use.

Never rely on your firearm mechanical features alone. Only your safe handling of your firearm, will ensure the safe use of your firearm. A mechanical safety is not a substitute for common sense. It is merely a supplement to your safe handling of a firearm. Never touch the trigger or trigger guard until you are ready to fire. Be sure that no other object touch the trigger. Never climb a tree or cross obstacles such as streams, creeks, or fences with a loaded firearm.





Verify the barrel is clear of obstructions before loading and firing. Completely unload the firearm and check the barrel for any obstructions or debris. Never let water, snow, mud or other materials enter the barrel. Excess lubricants or grease can dangerously increase pressure and may cause barrel to burst when firing. If barrel is obstructed, remove ammunition and clean barrel immediately.



Every firearm is designed to use a certain gauge or caliber of ammunition. Never use the wrong ammunition, or non-standard, or “handloaded” ammunition which has not been subjected to internal ballistic pressure testing. Always read and follow the instructions on the ammunition box.



Be sure of your target and the surrounding area. Never fire unless you know exactly where your shot is going, and what it will strike. Make sure the shot has a safe back stop, such as a hillside or sand. Bullets can ricochet on surfaces such as water. Do not fire into the sky.



Safely store and secure your firearm and ammunition separately. Store your firearm and ammunition so that they are not accessible to children or unauthorized persons. Evaluate your personal situation to be sure children and unauthorized persons cannot access your firearm.



You are responsible for your firearm at all times. You must protect yourself and others against injury or death from misuse of a firearm.




Never lock a loaded firearm and never load a locked firearm.





Always wear appropriate eye and ear protection while shooting and cleaning a firearm. Be sure others in the vicinity have protection as well.



Never use drugs or alcohol before or during use of firearm. Never use your firearm if you are taking any medication which impairs, even slightly, your mental or physical ability.

 Obey all laws regarding the storage, security, transportation and carrying of firearms. You must be familiar with all local, state, and federal laws regarding the safe use, storage and/or transportation of your firearm. Your local police department can answer any questions you may have regarding the legal use, storing and/or transporting of your firearm.

 Discharging firearms in poorly ventilated areas, cleaning the firearm, and the handling of ammunition may result in exposure to lead and other substances known to cause birth defects, reproductive harm, cancer, and other physical injury. Wash hands thoroughly after exposure. Read the warnings and labels on all ammunition and cleaning products carefully.

 Understand all operational aspects of the firearm before handling. Every firearm is different. Familiarize yourself with all mechanical features of your firearm.



If your firearm fails to fire when the trigger is pulled, handle with care. Keep the firearm pointed in a safe direction. Keeping your face away from the breach, put the safety on. Unload your firearm and dispose of the ammunition safely.



Never alter or modify your firearm. Never disassemble your firearm beyond what is outlined in this manual. Improper manipulation of any internal components and/or improper disassembly or reassembly may be dangerous, and may lead to serious injury or death. Do not try to change your firearm's trigger pull, alterations might cause accidental firing. Only a qualified gunsmith should service, repair, or modify your firearm in any way.



Be sure all accessories are compatible with your firearm. Accessories must not interfere with the safe operation of your firearm.



Never allow your firearm to be used by an individual who does not understand its safe operation or has not read these firearm safety guidelines.



The safe use of your firearm is your personal responsibility. Failure to follow all of these basic safety guidelines may result in severe injury or death to you or others. You, the owner, are the most important safety device when it comes to the use of your Spikes Tactical Firearm.

Under no circumstances will Spikes Tactical be responsible for any injury, death or property damage

that results from:

- A disregard of the safety guidelines and warnings;**
- The criminal or negligent use of the firearm;**
- Improper or careless handling of the firearm;**
- Improper or negligent modifications or repairs to the firearm;**
- The use of non-standard, defective, improper or reloaded ammunition.**

IDENTIFICATION

Model and Serial number



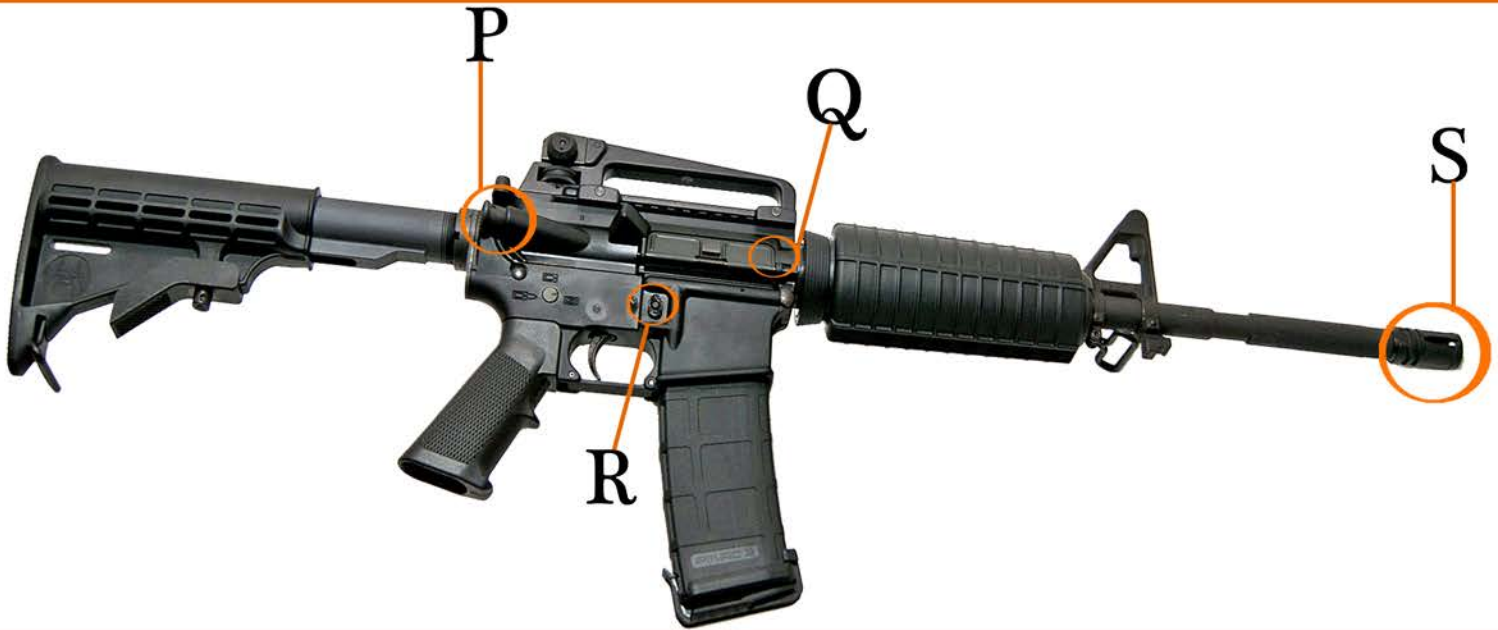
Figure 1

The Model number (↑) and Serial number (↑) are located on the left side of the firearm in figure 1.

MAP KEY

- Selector
- Selector
- ! Warning

LEFT SIDE IDENTIFICATION



RIGHT SIDE IDENTIFICATION



A - Front Sight

B - Hand Guard

C - Upper Receiver

D - Carry Handle

E - Rear Sight

F - Charging Handle

G - Stock

H - Safety Selector

I - Grip

J - Trigger

K - Trigger Guard

L - Magazine

M - Lower Receiver

N - Bolt Catch

P - Forward Assist

Q - Ejection Port Cover

R - Magazine Release Button

S - Flash Suppressor

INSPECT AMMUNITION

⚠️ WARNING

A loaded firearm may discharge unintentionally. Point firearm to a safe area when checking for ammunition.



Figure 2

1. Place safety selector (↑) on SAFE see Figure 2.



Figure 3

2. See figure 3 grasp the firearm while keeping your finger of the trigger. Press the Magazine release button (↑) and pull the the magazine (↑) down to remove.



Figure 4



Figure 5

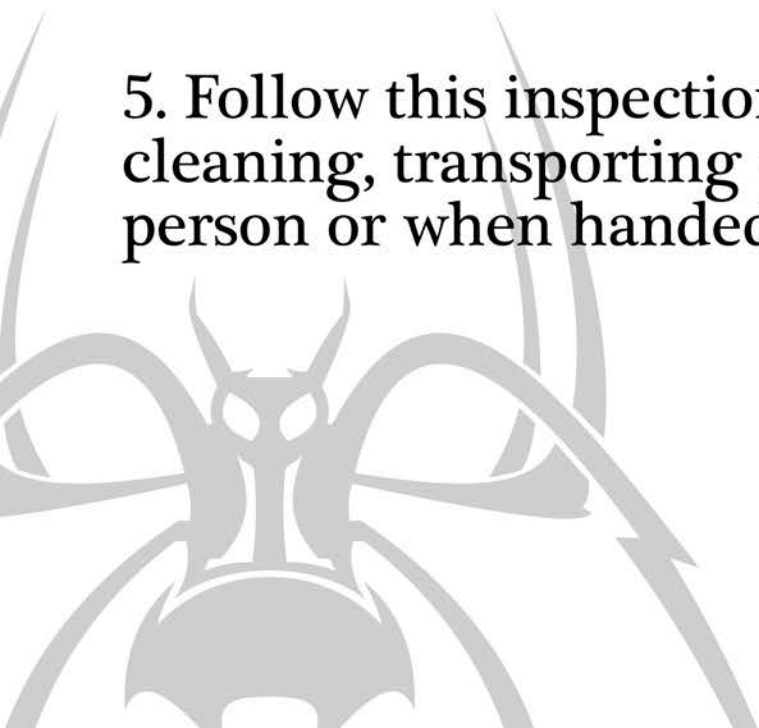
3. Unlock and pull charging handle (↑) all the way out. Press in on the lower portion of the bolt catch (↑). Release charging handle to lock bolt into open position , as shown in figure 4 and 5.



Figure 6

4. Look into the receiver through the ejection port and verify that there are no cartridges in the chamber (↑).





5. Follow this inspection procedures before storage, cleaning, transporting or before handing to another person or when handed to you.



AMMUNITION

WARNING

Failure to use the proper gauge or caliber of ammunition will cause your firearm to fail when firing. Always use ammunition specifically designed for use in your firearm.

-  You are responsible for using ammunition specifically designed for and that meets industry standards for use in your firearm.
-  Using ammunition not specifically designed for your firearm can cause the pressure to exceed the capability of your firearm, and could damage and/or rupture your firearm.
-  Never mix ammunition.
-  Always inspect your ammunition before using it. Never use damaged or corroded ammunition which could lead to a burst cartridge causing damage to the firearm and possible personal injury or death.

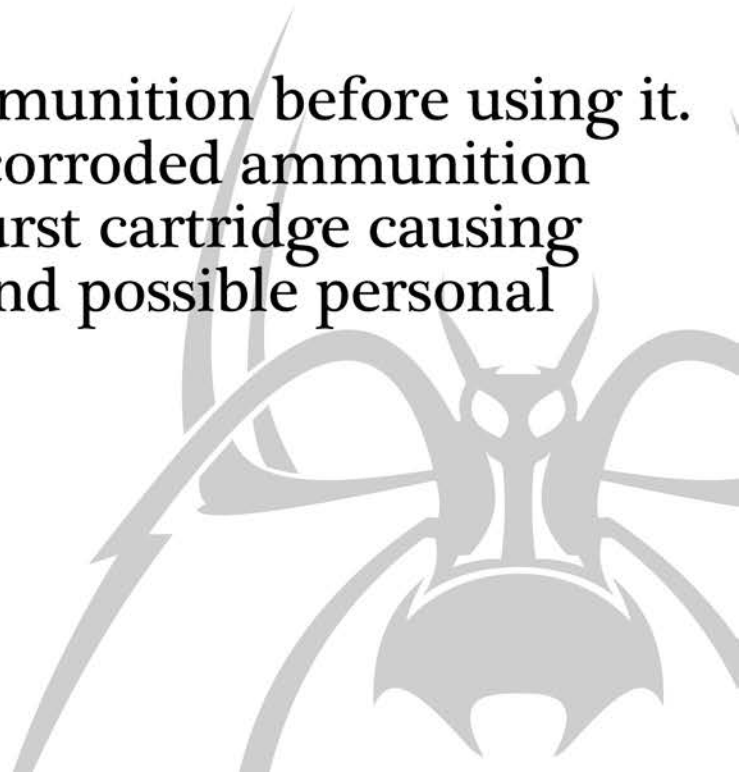




Figure 7

6. Locate the caliber mark (↑) on the firearm. See figure 7. This designates the ammunition caliber that must be used in your firearm.


⚠ Always use ammunition that is commercially manufactured with internal ballistic pressures which are in strict accordance with the specifications Institute (SAAMI). For verification, contact your ammunition supplier.

⚠ Your firearm has been designed for ammunition of a specific caliber and type. The firearm and ammunition work together as a system. You must use the correct ammunition for your firearm.


LOADING

WARNING

A loaded firearm may discharge unintentionally if dropped. Handle the loaded firearm with care. Clean your firearm before the first use. Your firearm has been treated at the factory to prevent corrosion. The chamber, bore, and exterior surfaces must be cleaned to remove excess oil.

 You must read and understand this manual before loading.

Load your firearm only when you are in the field or target range, when you are sure of the target and ready to fire.

 1. Inspect the firearm for ammunition if you have not done so. See *Inspect For Ammunition* in this manual.

 2. Verify that the safety lever is in the **SAFE** position.





3. Press the upper portion of the bolt catch (↑) and the bolt (↑) should spring forward. Be sure the bolt is fully forward and locked. See figure 8.



4. Inspect each cartridge for signs of damage. Do not load damaged ammunition. Load the magazine with the proper caliber of undamaged ammunition.





Figure 9

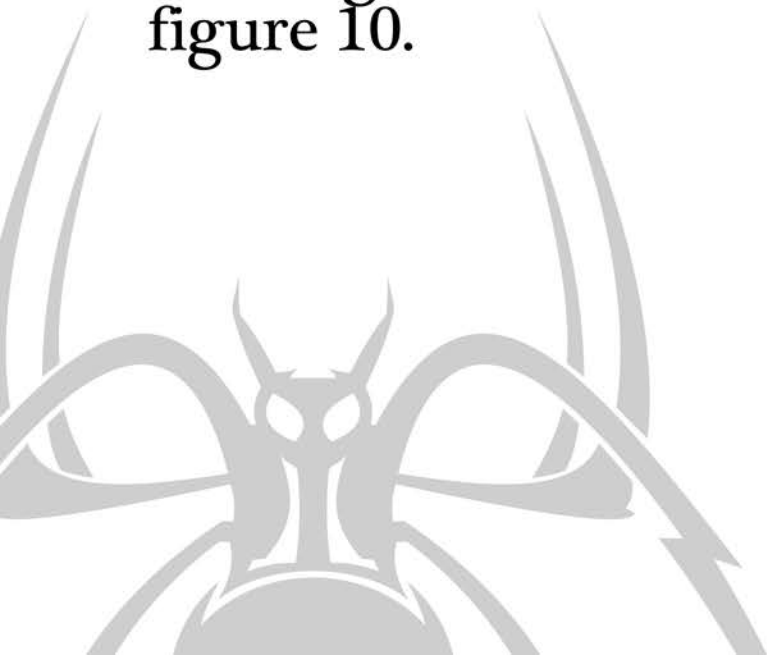
5. Push the magazine (↑) up into the magazine well until the magazine release button (↑) engages and holds the magazine. Use your hand and tap on the bottom of the magazine to be sure it is seated. See figure 9.

⚠ After performing step 6, the firearm is loaded and will fire if the safety selector is set to FIRE and the trigger is pulled. Keep the firearm pointed in a safe direction at all times.

⚠ Never insert a round into the chamber through the ejection port. Load the chamber by feeding a round from the magazine only.







6. To load a round into the chamber, pull the charging handle (↑) fully rearward and release. Tap the forward assist (↑) with your hand to be sure the bolt is fully forward and locked. A round from the magazine is now loaded into the chamber. See figure 10.



FIRING

WARNING

You must follow all of the safety guidelines to ensure the safe use of your firearm. Failure to follow these basic firearm safety guidelines may result in an unintended discharge which could cause serious injury or death.

-  Always point the barrel in a safe direction.
-  Be alert and follow safety instructions.
-  Be aware of others. People in the vicinity of your shooting may unintentionally walk into your line of fire.
-  The proper eye and ear protection must be worn by the shooter and bystanders in the area.





©Spike'sTactical.com

Figure 11

1. Grasp the firearm with one hand on the hand guard and the other on the grip. Keep fingers away from the trigger and trigger guard. See figure 11.
2. Place the buttstock firmly against your shoulder.



©Spike'sTactical.com

Figure 12

3. Mover the safety lever (↑) to FIRE. See figure 12.

4. Aim at the target and gently pull the trigger with your index finger to fire. Release the trigger and the chamber will reload immediately. You may continue to fire by pulling the trigger and fully releasing until the magazine is empty.



Figure 13

5. When you stop firing, remove your finger from the trigger and place the safety lever (↑) in the SAFE position. See figure 13.

6. Remove and reload magazine if you plan to continue shooting.

7. Unload the firearm using the Inspect For Ammunition procedure in the manual.

MALFUNCTIONS

⚠️ WARNING

If your firearm is not operating properly, stop firing immediately. Point the firearm in a safe direction and unload the firearm. Safely store the firearm and take it to a qualified gunsmith for inspection.

- ⚠️ If a cartridge jams or hangs up while moving from the magazine into the chamber, do not attempt to force the cartridge into the chamber.

IF YOUR FIREARM MISFIRES OR JAMS

- ⚠️ 1. Remove your finger from the trigger area, point the firearm in a safe direction and wait 10-15 seconds.



Figure 14

- ⚠️ 2. Place the safety selector lever (↑) on SAFE. See figure 14.



Figure 15

3. Press the magazine release button (↑) and pull the magazine (↓) down to remove. See figure 15.



Figure 16



4. Unlock and pull the charging handle (↑) all the way out and press in on the lower portion of the bolt catch (↓). Release charging handle. This locks the bolt in the open position, see figure 16 .



Figure 17

5. Look into the receiver and verify that there are no cartridges in the chamber (↑). See figure 17.


6. If a cartridge cannot be removed, safely store the firearm and take it to a qualified gunsmith for inspection.



DISSASSEMBLY FOR CLEANING

WARNING

Always point the firearm in a safe direction. Verify that the firearm is not loaded before any disassembly or cleaning is begun. Do not disassemble the firearm any further than instructed in this manual. Do not modify or alter any part of the firearm. Wear the appropriate protective clothing while disassembling and assembling the firearm.

 Disassembling the firearm and the handling of ammunition and cleaning products may result in exposure to lead and other substances known to cause birth defects, reproductive harm, cancer, and other physical injury. Wash hands thoroughly after exposure. Read the warnings and labels on all ammunition and cleaning products carefully.

REMOVE BOLT CARRIER



-  1. Verify that the firearm is not loaded. See **INSPECT AMMUNITION** in this manual.
-  2. Verify that bolt is in the forward position.



Figure 18

3. Push in on the takedown pin (↑) from the left side of the firearm. See figure 18.



Figure 19

4. Pull the takedown pin (↑) out as far as it will go. The pin will not be removed from the firearm. See figure 19.



Figure 20

5. Pivot the lower receiver away from the upper receiver.

Note: The upper and lower receivers may be separated by removing pivot pin (↑). See figure 20.

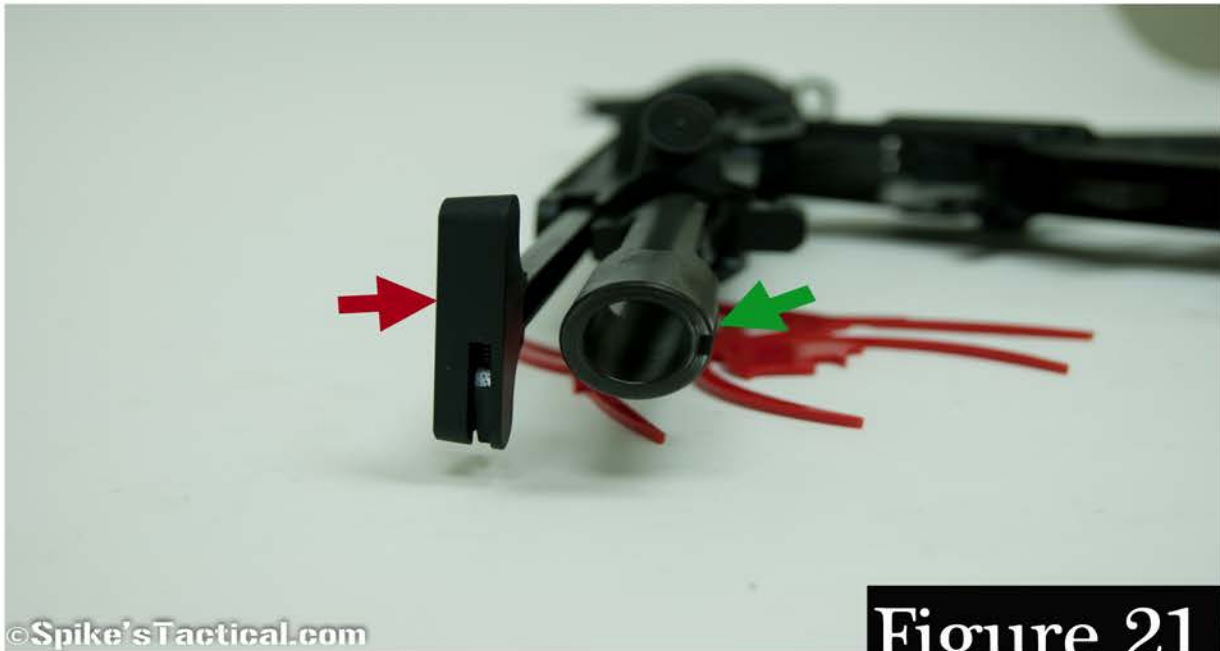


Figure 21

6. Pull back on the charging handle (↑) to remove charging handle and bolt carrier group (↑). See figure 21.



Figure 22

7. Clean charging handle (↑) and bolt carrier (↗) components with a quality gun cleaning solution. Lubricate components with a quality gun lubricant. See figure 22.

⚠ WARNING

- ⚠ Do not disassemble the firearm any further than instructed in this manual.
- ⚠ Do not disassemble the firearm any further than instructed in this manual.
- ⚠ Replacement parts must be installed by a qualified gunsmith.

DISASSEMBLE BOLT



Figure 23

1. Remove bolt carrier assembly from firearm. See Remove Bolt section previously in this manual.
2. Remove the firing pin retaining pin (↑) you may need a sharp object. Do not distort the ends of the retaining pin. See figure 23.



Figure 24

3. Push the bolt assembly (↑) into the bolt carrier to the locked position as illustrated in figure 24.



Figure 25

4. Remove the firing pin (↑) through the rear of the bolt carrier assembly. See figure 25.



Figure 26

5. Turn bolt cam pin (↑) 90° and remove from bolt carrier assembly. See figure 26.



6. Remove bolt assembly (↑) from bolt carrier assembly. See figure 27.

7. Clean bolt and bolt carrier components with a quality gun cleaning solution. Lubricate components with a quality gun lubricant.

- ⚠ Do not disassemble the firearm any further than instructed in this manual.
- ⚠ Do not modify or alter any part of the firearm.
- ⚠ Replacement parts must be installed by a qualified gunsmith.

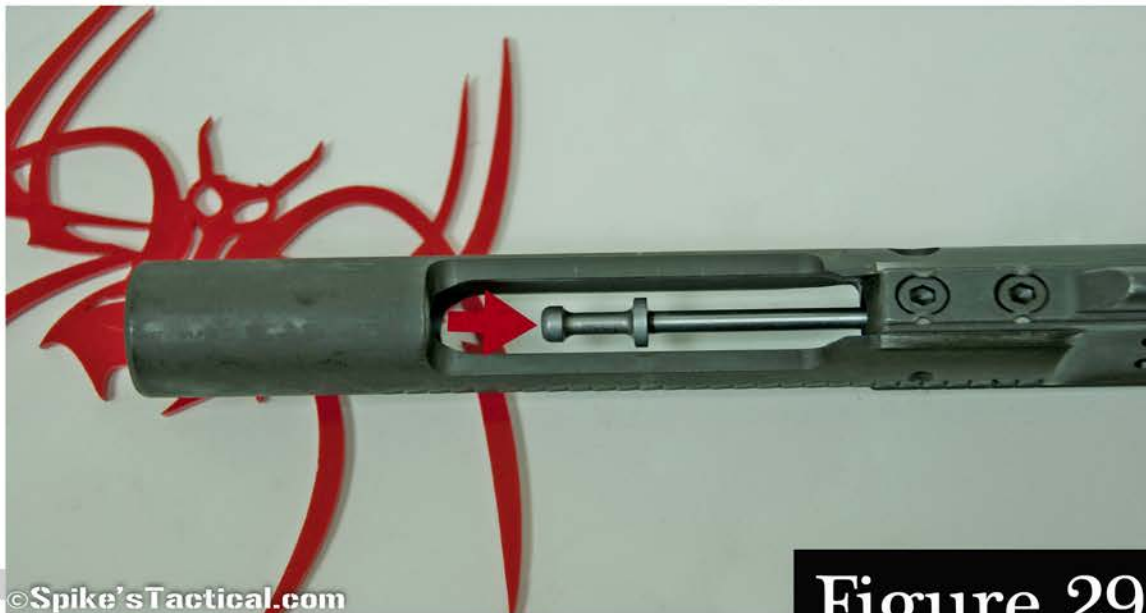
ASSEMBLE BOLT



©Spike'sTactical.com

Figure 28

1. Install bolt assembly into bolt carrier. Insert cam pin (↑) and turn 90°. The hole in pin will align with the hole through the bolt. See figure 28.



©Spike'sTactical.com

Figure 29

2. Insert the firing pin (↑) through the rear of the bolt carrier assembly. See figure 29.



©Spike'sTactical.com

Figure 30

3. Pull the bolt out and install the firing pin retaining pin (↑). See figure 27.

REMOVE BUFFER AND ACTION SPRING



©Spike'sTactical.com

Figure 31

- ⚠ 1. Verify that the firearm is not loaded. See Unloading in this manual.
- 2. Hold the buffer (↑) in and press down on retainer (↑) to release buffer. See figure 31.

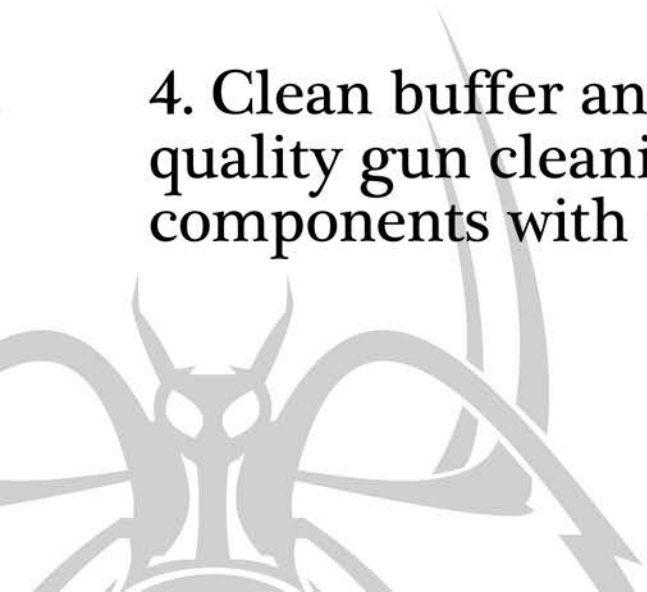


Figure 32

3. Remove the buffer (↑) and spring (↑). See figure 32.

- ⚠ Do not disassemble the firearm any further than instructed in this manual.
- ⚠ Do not modify or alter any part of the firearm.
- ⚠ Replacement parts must be installed by a qualified gunsmith.

4. Clean buffer and spring components with a quality gun cleaning solution. Lubricate components with a quality gun lubricant.



INSTALL BUFFER AND ACTION SPRING



Figure 33

1. Insert the action spring onto the buffer and into receiver. Press down on retainer (↑) and push buffer (↑) past retainer, then release retainer. See figure 33.

INSTALL BOLT CARRIER



Figure 34

1. Engage and partially insert charging handle (↑). Install bolt carrier (↑) so that slot in carrier engages tab on charging handle. Push carrier and charging handle into receiver. See figure 34.



Figure 35

- ⚠ 2. Verify the safety selector (↑) is on SAFE. See figure 35.



Figure 36

3. Pivot the lower receiver to the upper receiver and push the takedown pin (↑) in. See figure 36.

CLEANING

CLEANING THE BARREL

 Remove the magazine and verify that the firearm is not loaded and safety is on SAFE.

Clean the barrel with a cotton patch attached to a cleaning rod. Moisten the patch with cleaning solution. Repeat with clean patches until patch stays clean. Apply cleaning solvent to a bronze bore brush to help loosen particles inside the barrel. After cleaning, run a dry patch through the barrel and then follow with a lightly oiled patch.

CLEANING THE CHAMBER

 Remove the magazine and verify that the firearm is not loaded and safety is on SAFE.

Clean the chamber with solvent and a chamber cleaning brush. Move the brush through the chamber several times to scrub the inside of the chamber. Use a clean patch to wipe the chamber after cleaning. Repeat with clean patches until patch stays clean. After cleaning, run a dry patch through the chamber. Do not oil the chamber.

CLEANING THE EXTERIOR

⚠ Remove the magazine and verify that the firearm is not loaded and safety is on SAFE.

Wipe all metal surfaces with a clean cloth and then follow up with a lightly oiled cloth.



REMOVE HANDGUARD

WARNING

Two people are required to remove and install the handguards.


-  1. Verify that the firearm is not loaded. See **INSPECT AMMUNITION** in this manual.
2. Stand the firearm on the stock.



Figure 37

3. While one person pulls down on the delta ring () , the second person can remove the handguards. See figure 37.

COLLAPSIBLE BUTTSTOCK



Figure 38

To extend or retract the buttstock, push lever (↑) and move buttstock to the desired position. See figure 38.

CARRYING HANDLE



Figure 39

To remove the carrying handle (↑), loosen two screws (↑) and remove handle. See figure 39.

ADJUST SIGHTS



Use the side adjustment knob (↑) and the elevation knob (↑) to zero the sights. See figure 40.



DEFINING TERMS

Barrel – The tube through which the bullet travels when the firearm is fired.

Bolt – A sliding bar that pushes the cartridge into place and extracts the empty cartridge after firing.

Buttstock – The part of the stock located behind the breech mechanism in a firearm.

Bolt Catch – The lever that, when depressed, releases the bolt carrier assembly to the forward position.

Caliber – The diameter of the bolt, designated in hundredths or thousandths of an inch (.357) or in millimeters (9mm).

Charging Handle – This cocks the firearm when preparing to fire or clean.

Handguard – This is a protective shield that covers the gas tube and the barrel keeping your hand away from the hot barrel.

Firing Pin – A part of the firing mechanism used in a firearm.

Flash Suppressor – This reduces the amount of flash from the muzzle when the weapon is fired.

Magazine – A metal receptacle for a number of cartridges, inserted into certain types of automatic weapons and when empty removed and replaced full receptacle in order to continue firing.

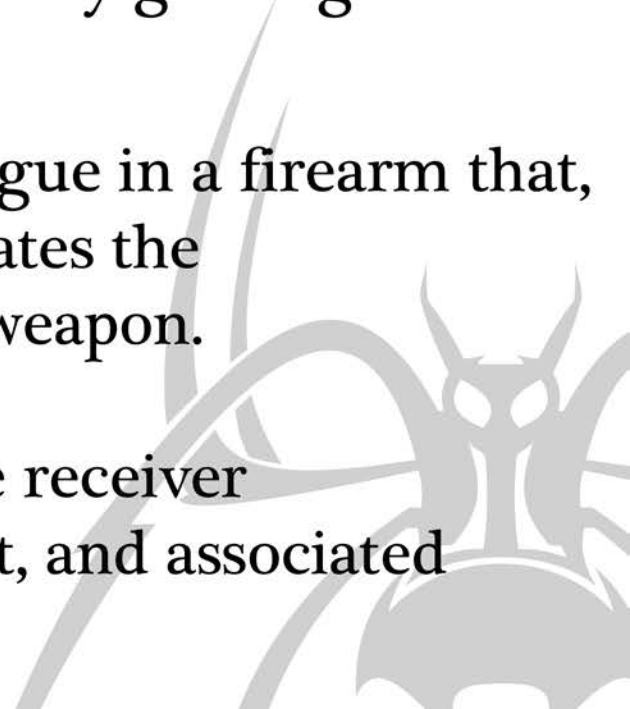
Rifle – A weapon that can be fired from the shoulder.

Safety Selector Lever – This feature changes the trigger between the safe mode and the firing modes.

Sight – A device used to assist aim by guiding the eye.

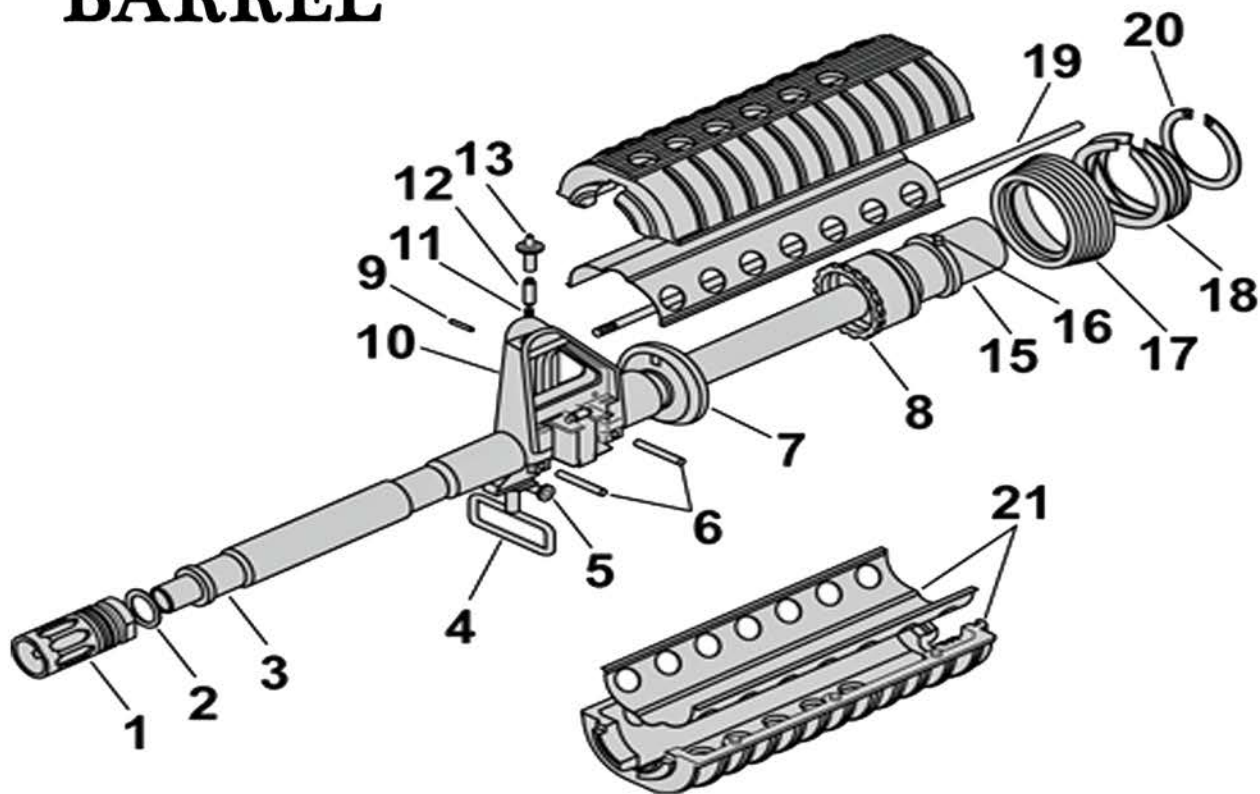
Trigger – A small projecting tongue in a firearm that, when pressed by the finger, actuates the mechanism that discharges the weapon.

Upper Receiver – The part of the receiver containing the barrel, sights, bolt, and associated parts.



PART LISTINGS

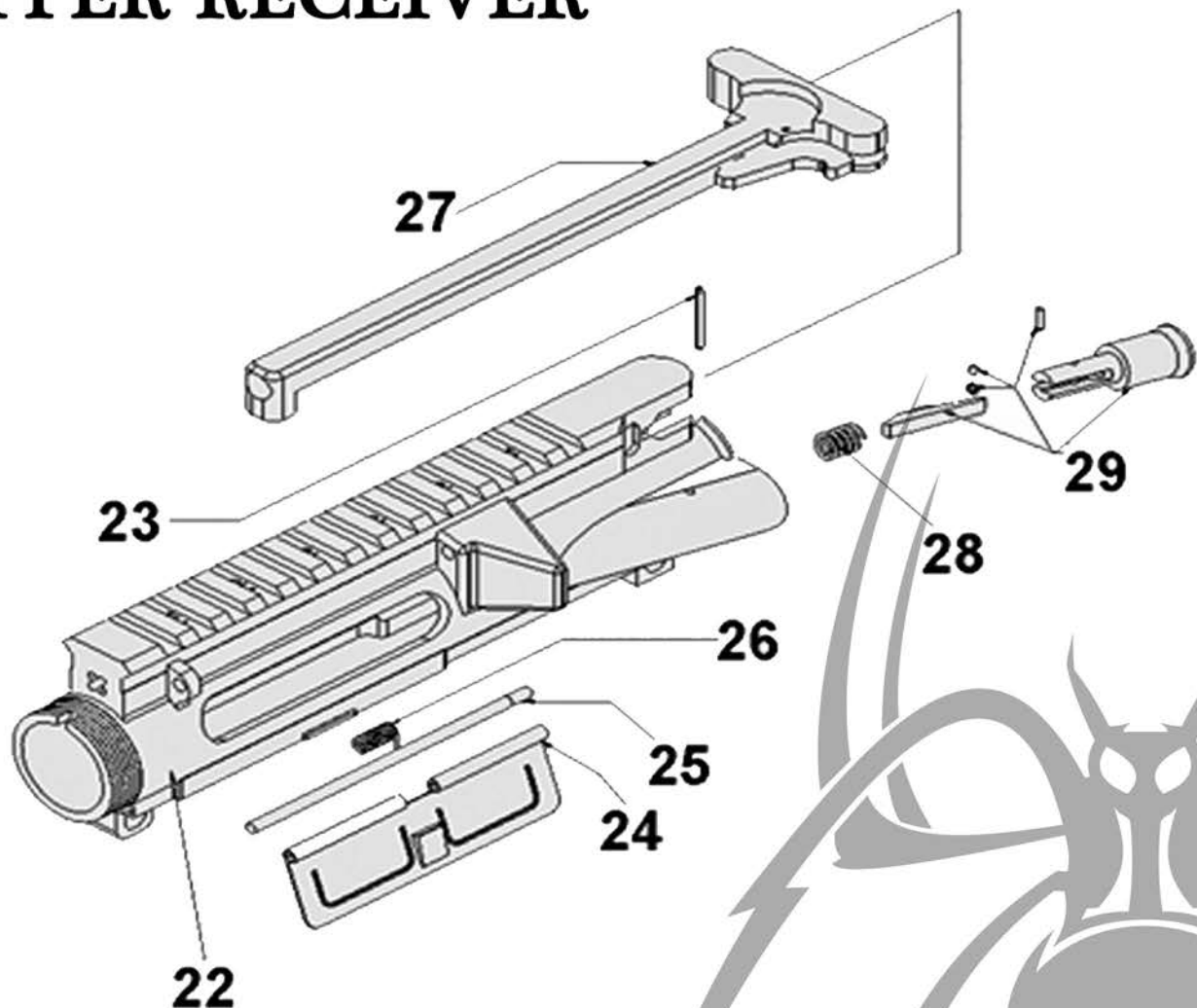
BARREL



- 1 – Flash Suppressor
- 2 – Crush Washer
- 3 – Barrel (Standard Models)
- 4 – Front Sling Swivel
- 5 – Front Sling Swivel Rivet
- 6 – Front Sight Taper Pin (2)
- 7 – Side Sling Swivel Assembly (optional)
- 8 – Handguard Cap
- 9 – Gas Tube Roll Pin
- 10 – Front Sight

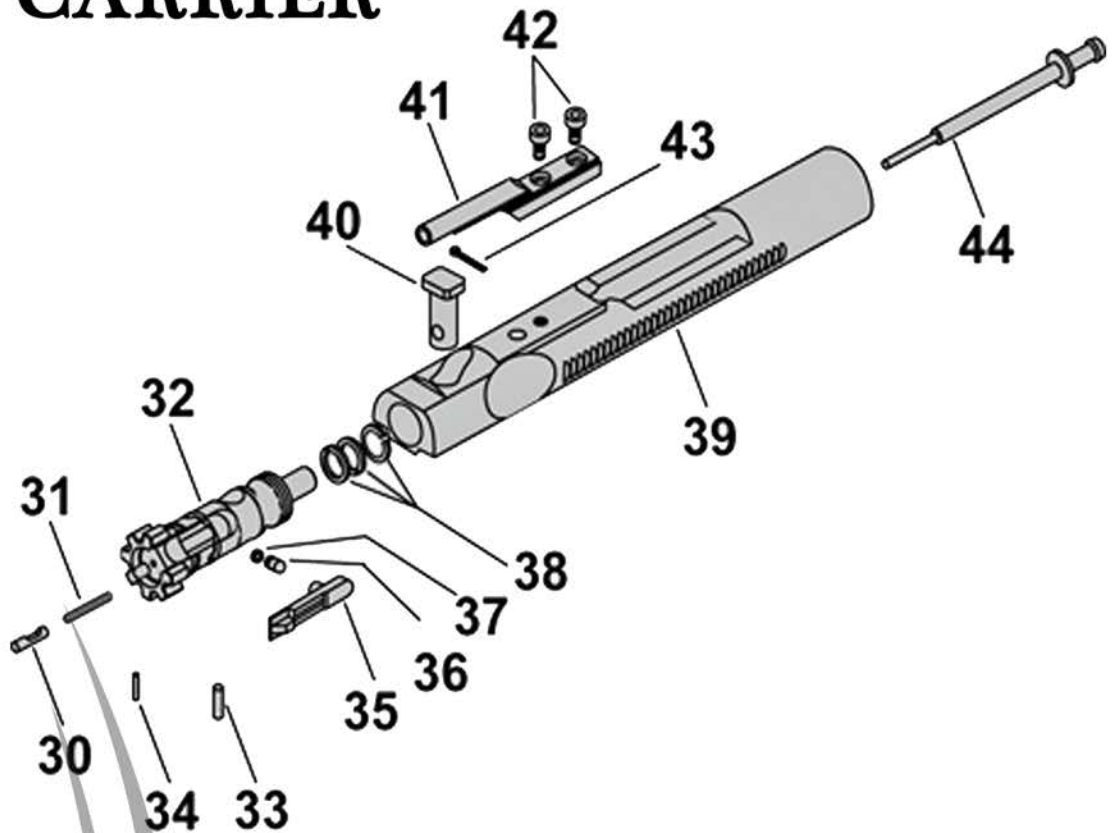
- 11 – Front Sight Detent Spring
- 12 – Front Sight Detent
- 13 – Front Sight Post
- 14 – Barrel Nut
- 15 – M4 Barrel Extension
- 16 – Barrel Indexing Pin
- 17 – Delta Ring
- 18 – Weld Spring
- 19 – Gas Tube
- 20 – Handguard Snap Ring
- 21 – Thermoset Hand Guard With Heat Shield (2)

UPPER RECEIVER



- 22 – Left-Handed A3 Upper Receiver
- 23 – Forward Assist Spring Pin
- 24 – Left-Handed Ejection Port Cover
- 25 – Ejection Port Cover Pin
- 26 – Ejection Port Cover Spring
- 27 – Charging Handle Assembly
- 28 – Forward Assist Spring
- 29 – Forward Assist Assembly

BOLT CARRIER

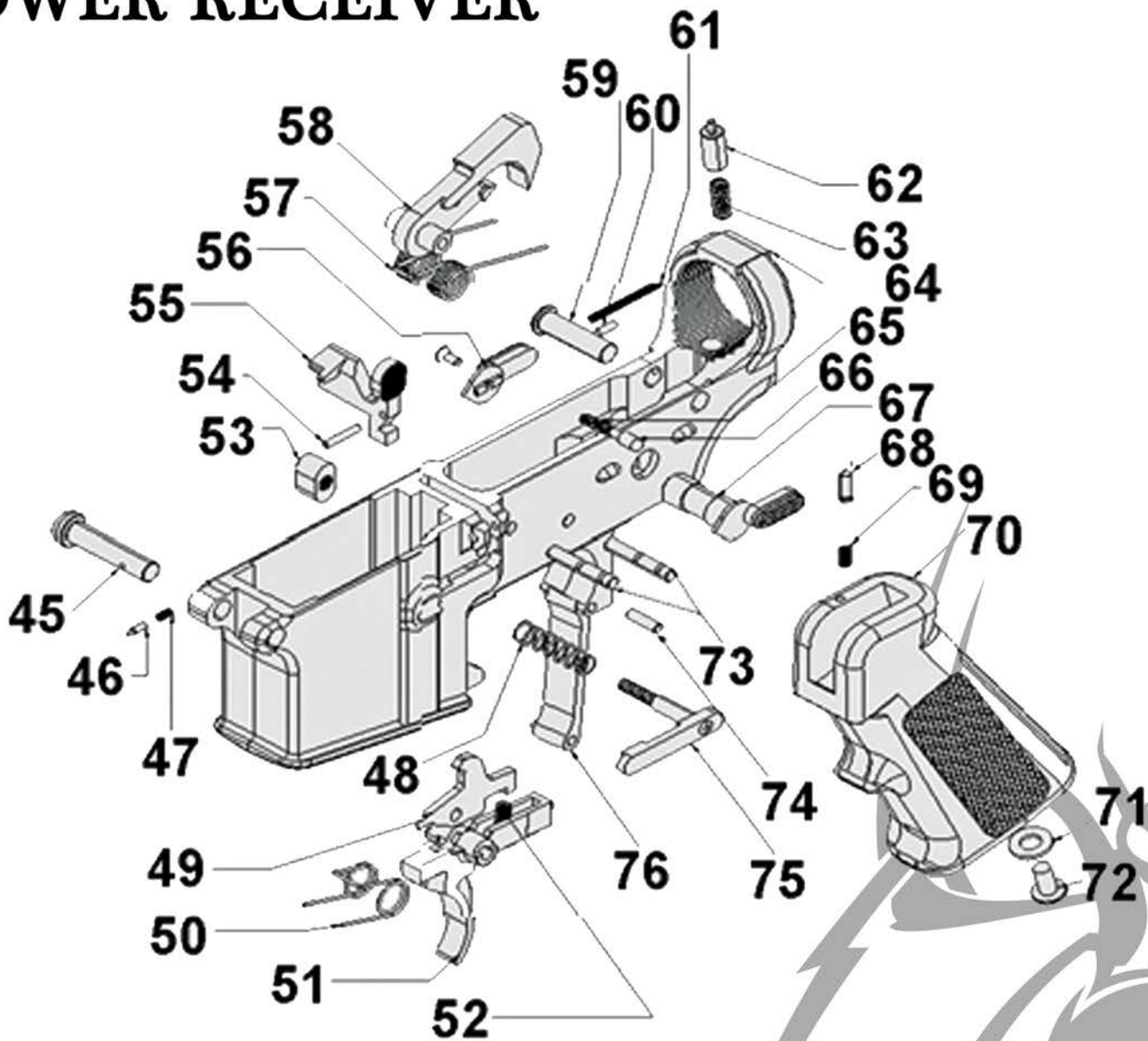


- 30 – Ejector
- 31 – Ejector Spring
- 32 – Left-Handed Bolt
- 33 – Extractor Pin
- 34 – Ejector Roll Pin
- 35 – Extractor

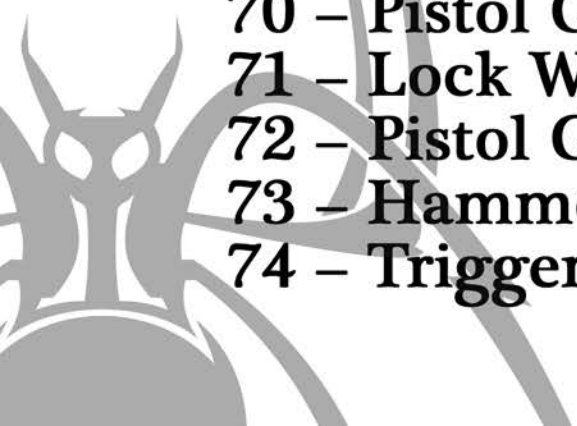


- 36 – Extractor Spring
- 37 – Extractor Insert
- 38 – Gas Rings (3)
- 39 – Left-Handed Bolt Carrier
- 40 – Cam Pin
- 41 – Bolt Carrier Key
- 42 – Bolt Carrier Key Screws
- 43 – Firing Pin Retaining Pin
- 44 – Firing Pin

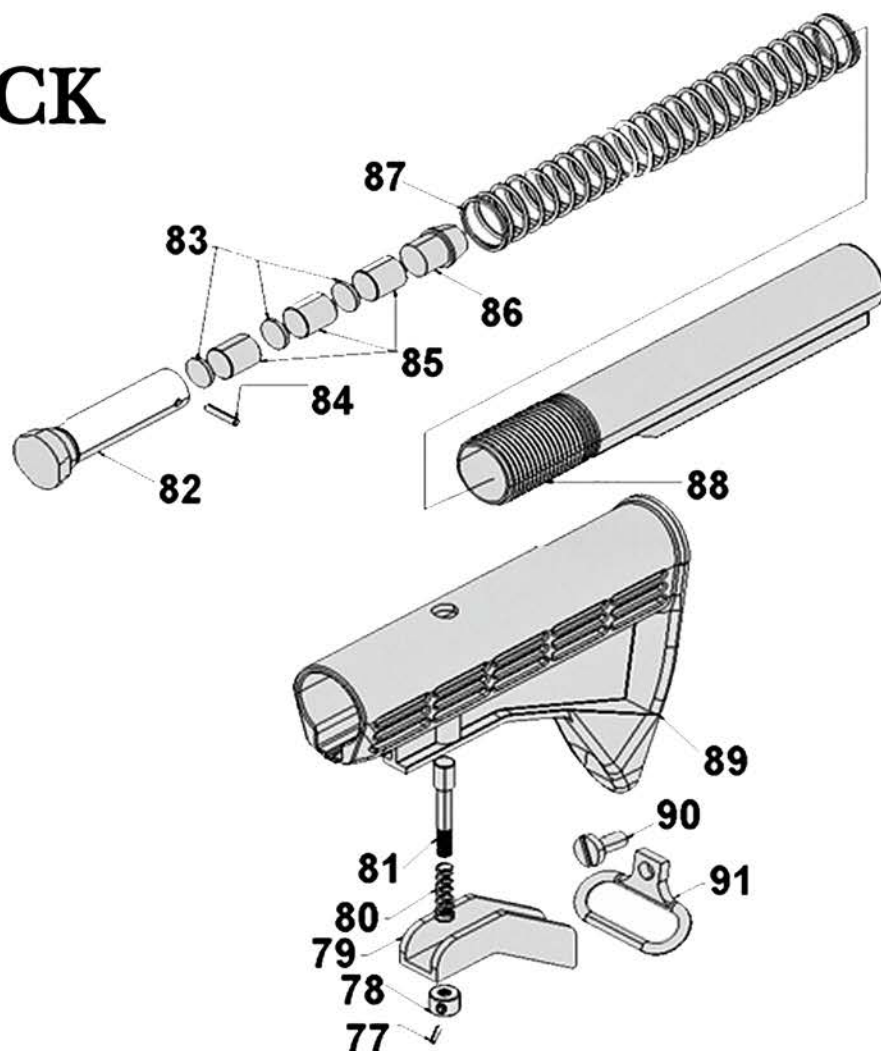
LOWER RECEIVER



- 45 – Pivot Pin 75 – Magazine Catch
- 46 – Pivot Pin Detent 76 – Trigger Guard
- 47 – Pivot Pin Spring Assembly
- 48 – Magazine Catch Spring
- 49 – Disconnecter
- 50 – Trigger Spring
- 51 – Trigger
- 52 – Disconnecter Spring
- 53 – Magazine Release Button
- 54 – Bolt Catch Roll Pin
- 55 – Bolt Catch
- 56 – AMBI Selector Assy (2)
- 57 – Hammer Spring
- 58 – Hammer With J Pin
- 59 – Takedown Pin
- 60 – Takedown Pin Detent
- 61 – Takedown Pin Spring
- 62 – Buffer Retainer
- 63 – Buffer Retainer Spring
- 64 – Lower Receiver
- 65 – Bolt Catch Spring
- 66 – Bolt Catch Plunger
- 67 – AMBI Selector Assembly (1)
- 68 – Safety Detent
- 69 – Safety Detent Spring
- 70 – Pistol Grip
- 71 – Lock Washer
- 72 – Pistol Grip Screw
- 73 – Hammer And Trigger Pins
- 74 – Trigger Guard Roll Pin



STOCK



- 77 – Receiver Nut Roll Pin
- 78 – Receiver End Nut
- 79 – Lock Lever
- 80 – Pin Stock Spring
- 81 – Shoulder Headle Pin
- 82 – Buffer Body
- 83 – Buffer Rubber Spacer
- 84 – Buffer Roll Pin
- 85 – Spacer Weight
- 86 – Buffer Plug
- 87 – Action Spring
- 88 – Receiver Extension

- 89 – Buttstock**
- 90 – Rear Sling Loop Bolt**
- 91 – Rear Sling Loop**
- 92 – Receiver Nut (Not Shown)**
- 93 – Receiver End Plate (Not Shown)**



WARRANTY

Spike's Tactical products have always been designed and built to the higher standards demanded by the discriminating consumer. To clearly demonstrate that Spike's Tactical products offer world-class quality, Spike's Tactical offers a full lifetime warranty on all Spike's Tactical built products. The lifetime warranty will remain in full force and effect as long as Spike's Tactical is still in operation.

The lifetime warranty covers any manufacturing defects that may render the product unsafe, inoperable, out of spec, to include cosmetic defects from the factory. Cosmetic defects are only covered for the first 10 days from the original shipping date from Spike's Tactical. It is your responsibility to thoroughly inspect your order from Spike's Tactical and let us know immediately if there is an issue. Cosmetic issues occurring outside the 10-day window will be address on a case-by-case basis.

Should you find any of the above issues with your Spike's Tactical products we will repair or replace the

the product to meet Spike's Tactical Industry Standards. There is no need to cut any Spike's Tactical products into pieces should you find them to be out of spec. Although, we have been known to offer to replace products cut up by a specific customer, we find that a simple phone call is a more efficient way of resolving an issue.

Sales Tax, Shipping charges, and FFL fees are non refundable. If it is a Spike's Tactical mistake we will cover shipping and FFL fees. On Non-Spike's Tactical built products all warranties are through the original manufacturer only; no warranties are expressed or implied by Spike's Tactical. Prices do not include shipping and handling. Florida residents add 6% sales tax

