

DOUBLESTAR CORP.

1911-A1 PISTOL
CAL.45 ACP



USER'S MANUAL

WARNING: READ THE INSTRUCTIONS AND SAFETY PRECAUTIONS IN THIS MANUAL CAREFULLY BEFORE USING THIS FIREARM.

TABLE OF CONTENTS

Introduction.....	2
General Information.....	2
Basic Model Description.....	3
Specification.....	3
Safety Features.....	4
Special Features.....	5
Ammunition to Use.....	5
Operating Instructions	
- Loading.....	6
- Firing.....	6
- Unloading.....	7
Basic Disassembly	
- Disassembly.....	7
- Reassembly.....	9
Care and Maintenance.....	9
The Basic Rules of Safe Firearms Handling.....	10
Parts List.....	11
Warranty Information.....	11
Exploded Drawing.....	13

INTRODUCTION

As a responsible firearms owner, you must read this **USER'S MANUAL** thoroughly and become familiar with it before you can handle the new **DOUBLE STAR CORP. PISTOL**.

This **USER'S MANUAL** is designed to assist you in learning the proper use and care of your handgun. After reading this manual, examine your handgun carefully and make sure you understand all of the basic features associated with it. This includes knowing it's basic parts, how the safety features operate, how to open and close the action and how to safely load and unload ammunition. Remember that improper use and handling of this handgun is dangerous, may void the warranty and could cause severe injury or death to you personally or those around you.

The **DOUBLE STAR CORP. PISTOL** is as well made as modern technology allows and will give you a lifetime of reliable service, security and pride of ownership. You, the owner, must use it properly and take good care of it, as per the instructions given in this **USER'S MANUAL** and must not hesitate to ask pertinent questions from the manufacturer or from competent gunsmiths.

This **USER'S MANUAL** should always be kept available for reference and should accompany the firearm if transferred to another party.

GENERAL INFORMATION

The Colt Government Model 1911-A1 semi-automatic pistol, designed by John M. Browning, has been one of the world's most popular side arms. It is a tried and proven design which outlasted it's contemporaries and is still the top firearm choice for military, police and competition shooters throughout the world. Because of it's practical design, safety features and rugged construction, it has been considered by many military experts as the best close range defense weapon ever designed.

BASIC MODEL DESCRIPTION

The **DOUBLE STAR CORP. PISTOL** in Cal. 45 ACP, is designed for both combat and competition, combines the best accepted principles of strength, safety, accuracy, mechanical reliability and ease of handling. These are all to meet the most exacting standards of law enforcement, military, self defense and competition shooting.

All parts are made of high grade ordnance steel and heat treated for strength and durability. The low contact areas being the locking elements of the frame, slide and barrel, are precisely machined and heat treated. This is to provide accuracy, toughness and rigidity in the locked firing position.

The frame, slide and other action parts are forged or made by precision investment casting and CNC-machined to equally consistent dimensions to ensure mechanical efficiency, long life and complete parts interchangeability.

SPECIFICATIONS

Model:	1911-A1
Caliber:	.45 ACP
Action:	Semi-Auto, Recoil Operated
Magazine Capacity:	8 Rounds
Effective Range:	100 Yds.
Overall Width:	1-3/10 in.
Overall Length:	8-2/5 in.
Overall Height:	5-2/5 in.
Weight, Empty:	2.5 lbs.
Weight, Loaded:	2.85 lbs.
Barrel Length:	5 in.
Sights, Front & Rear:	Mounted on Dovetail Cut
Rifling Twist:	Right Hand, One Turn in 16 in.
No. of Grooves	6
Finish:	Parkerized

Note: Specifications subject to change without notice

SAFETY FEATURES

WARNING: THE USER SHOULD NEVER DEPEND ON SAFETY OF MECHANISM OR ANY OTHER MECHANICAL DEVICE TO JUSTIFY CARELESS AND IMPROPER HANDLING.

1. **Safety Lock:** The pistol is fitted with a safety lock, which when applied at the cocked position, blocks the sear and hammer to prevent the gun from being fired.
2. **Grip Safety:** The pistol cannot be fired until the grip safety is pressed in, when the gun is gripped for firing.
3. **Disconnecter Safety:** The pistol is designed with an automatic disconnecter which enables it to fire only when it is fully locked and the trigger is released after each shot.
4. **Half-cocked Position:** The hammer is provided with a half cock notch which allows it to be locked in the half-cocked position in cases of unintentional hammer release or follow through caused by sear bounce. Half-cock is not a safety feature, it is there to stop unintended Hammer Fall.
5. **Inertia Firing Pin:** The firing pin is designed to operate on the principle of inertia, with it's length shorter than the overall length of the breech block. It requires a blow from the fully cocked hammer to strike and percuss the cartridge primer.

SPECIAL FEATURES

- Double sided serrations cut for optimal grip and cocking ease.
- Lowered side ejection port for a more efficient and reliable ejection of Spent shells.
- Skeletonized combat hammer with serrated non-slip thumb surface and matching large oval opening for light weight and reduced lock time.
- Beavertail grip safety which protects the hand from non-slip thumb surface and matching large oval opening for light weight and reduced lock time.
- Extended ejector that flips fired cases clear of the slide to help prevent "smoke stacking" and jams.
- Specially designed checkered high-impact stryder grip.
- Plastic carrying guncase with eggcrate-type poly-foam for ultimate gun protection.
- One (1) magazine per gun.

NOTE: Specifications and features subject to change without prior notice.

AMMUNITION TO USE

The **DOUBLE STAR CORP. PISTOL** is chambered for cal. 45 ACP cartridges in the round nose configuration (Note: Use of wadcutter of other cartridges in the flat nose configuration may require extra adjustments of the barrel feed ramp by a competent gunsmith), manufactured in the accordance with industry standard. Non-standard or improperly loaded cartridges affect accuracy and cause mechanical feeding problems. Always check for the following possible defects before loading the ammunition into your pistol.

- a. poorly seated primers
- b. incorrect seating length
- c. lead deformation on the front and shoulder
- d. over expanded case mouth
- e. improper crimping
- f. damaged case rims

CAUTION: ALWAYS USE AMMUNITION THAT COMPLIES WITH PERFORMANCE STANDARDS ESTABLISHED BY THE SPORTING ARMS AND AMMUNITION MANUFACTURER'S INSTITUTE (SAAMI). USING HANDLOADED, RELOADED OR OTHER NON-STANDARD AMMUNITION WILL VOID ALL WARRANTIES.

OPERATING INSTRUCTION

WARNING: ALWAYS KEEP THE PISTOL POINTED IN A SAFE DIRECTION WHEN LOADING AND UNLOADING. INSPECT THE CHAMBER AND BORE OF THE BARREL FOR ANY OBSTRUCTION, EXCESSIVE OIL OR GREASE. FAILURE TO DO SO MAY RESULT IN GUN DAMAGE AND/OR INJURY TO THE SHOOTER OR THOSE NEARBY.

LOADING

To load the magazine, place the first cartridge in the front end of the magazine follower and punch it down until it can be slid in under the feed lips of the magazine. Place the second cartridge on the top of the first and force it down in the same way as the first one. Repeat this procedure until the magazine contains the number of cartridges you intend to load. The magazine can take as many as eight rounds.

To load the pistol, insert the loaded magazine into the grip (handle) and push it up until the magazine release engages in it's slot locking in place. Hold the pistol firmly with your firing hand. Grasp the slide at it's serrated section with your other hand and pull it to the ear as far as it will go. (Note: the hammer can be cocked first to make the slide easier to pull). Then, release the slide smartly. A cartridge is now loaded in the chamber and the pistol is ready to fire. Push the safety lock upwards into the "SAFE" position and leave it there until ready to shoot.

FIRING

To fire the pistol, press the safety lock down to the "FIRE" position. Obtain the correct sight alignment and sight picture and squeeze the trigger. To fire successive shots, the trigger must be released and squeezed repeatedly. When the last cartridge from the magazine has been fired, the slide remains to the rear. If you intend not to shoot or cease firing, remember you have a loaded gun in your hand. First, keep the gun pointed in a safe direction and keep your finger off the trigger. Then, unload the gun by following the unloading procedure below.

UNLOADING

To unload, press the magazine release and remove the magazine. If the slide is in the forward position, pull it to the rear and retain by pushing the slide stop up. Inspect the chamber to make sure that the pistol is clear and unloaded. If the chamber is empty, press the slide stop down while squeezing the trigger, allowing the slide to go forward. If there is a shell or unfired cartridge in the chamber, manually remove it before pressing the slide stop down. Your gun is now unloaded.

BASIC DISASSEMBLY AND REASSEMBLY

DISASSEMBLY

A. BARREL AND SLIDE ASSEMBLY

1. Press the magazine release and withdraw the magazine. Pull the slide backwards and check the chamber to ensure that the pistol is unloaded and safe.
2. Press the recoil spring with your thumb and rotate the barrel bushing clockwise
3. Gently allow the plug and recoil spring set to move forward. Do not remove the set as this will keep the recoil spring guide in place.
4. Pull the slide backwards until the smallest slot on it's left aligns with the top rear of the slide stop. Remove the slide stop by pressing it's pivot stud on the right side of the frame.
5. Pull the slide directly forward of it's guide rails in the frame. The barrel, barrel bushing, recoil spring, recoil spring guide and recoil spring plug will come out with it.
6. Remove the recoil spring, guide and plug from the slide.
7. Rotate the barrel bushing to the left as far as it will go and withdraw it to the front.
8. Tilt the barrel link forward to withdraw the barrel through the front of the slide.

B. CS 1911-A1 DISASSEMBLY

Disassembly of the CS pistol is done by first removing the slide stop and separating the slide-barrel-recoil spring assembly from the frame. The recoil spring guide assembly is removed by lifting the recoil by lifting the recoil spring guide flange out of the slide. The reverse plug is then pulled out of the recoil spring tunnel. The barrel can now be withdrawn through the front of the slide. No further disassembly is recommended for routine cleaning and maintenance purposes.

REASSEMBLY

While reassembly of the dismantled pistol is done in the reverse order of disassembly, the following special instruction will be of assistance:

1. When the barrel and slide assembly is to be mounted on the frame, hold both the slide and the frame bottom side up. Make sure that the barrel link is tilted to the front as far as it will go and that the barrel link pin is flush in its seat. Then slide the frame forward into the slide rails.

CARE AND MAINTENANCE

With proper care, your DOUBLE STAR CORP. PISTOL will provide you with years of dependable service. It should be inspected, cleaned and oiled periodically to ensure that it remains in good condition and functions with safety and reliability. Doing the job does not require total disassembly of the mechanical parts in the frame assembly. Under normal cleaning purposes, field stripping or dismounting of the slide and barrel assembly is sufficient.

To clean the pistol after firing, first dismount the slide and barrel assembly. Scrub the barrel bore and chamber with a bore brush dipped in a gun cleaning solvent to remove lead residues and foreign matters left inside. Using an old toothbrush dipped in solvent, clean the areas around the slide's breech face to remove powder and primer residues. Other parts and areas to be cleaned are the slide and barrel locking lugs, the frame and slide rails, firing pin, extractor claw and other adjacent areas. After cleaning, wipe all surfaces with a clean, dry cloth to remove all traces of the solvent and apply a light film of oil immediately thereafter.

To clean the pistol thoroughly, disassemble all parts to the extent described above, taking care not to ruin or lose any part. Clean and inspect all parts then dry and lubricate very lightly. Reassemble the pistol, dry the barrel chamber and bore and check the gun for proper functioning before loading live ammunition.

When storing the gun for a prolonged period of time, it is necessary to oil it heavily with an acid-free lubricant. The external must be coated with an acid-free lubricant. The external must be coated with an anti-rust oil or grease to prevent moisture from settling on the metals and seeping into the internal mechanism causing the parts to rust and malfunction. Before usage, the pistol must be cleaned and wiped dry again as discussed above.

CAUTION: THE GUN SHOULD BE STORED IN ROOMS WITH A DRY ATMOSPHERE AND WITH THE LEAST HUMIDITY. IT SHOULD NOT BE STORED ENCASED IN LEATHER OR ANYTHING THAT WILL ATTRACT AND HOLD MOISTURE, CAUSING THE METAL PARTS TO RUST.

BASIC RULES OF SAFE FIREARMS HANDLING

Safety must be the first and constant consideration of every person who handles firearms and ammunition. A person with a gun in his possession has an important responsibility. He must know how to use his firearm in a way which will ensure his own safety and that of others.

Firearms do not cause accidents! Firearms accidents are almost always found to have been the result of carelessness, or ignorance on the basic rules of safe gun handling on the part of the users.

The following rules must be strictly observed by gun users at all times.

1. Always keep the gun holstered except when drawn for a defensive purpose.
2. Always check the gun for live ammunition when picked up, drawn from the holster, handed to or received from another person.
3. Never point the gun at anything you don't intend to shoot.
4. Never load and lock the gun unless you are ready to shoot. Do not even insert your finger in the trigger guard until you are ready to shoot.
5. Avoid dry-firing even with dummy cartridges, unless same is performed on a regular target range or at a known inanimate target.
6. When holding the gun that is ready to fire, be absolutely certain that it is not pointed at any part of your body nor at any person within your immediate vicinity.
7. Beware of obstruction in the barrel. If, when firing, a weak or peculiar report is heard, cease firing, unload the pistol and inspect the barrel for an obstruction. A struck bullet or any other object in the barrel should be removed immediately. Not doing so may result in a bulged or burst barrel which may cause injury to the shooter or bystanders.
8. When a misfire is experienced, keep the gun pointed at the target for at least ten seconds before inspecting it: a delayed firing may occur.
9. Wear shooting glasses and hearing protectors when firing.
10. Do not shoot at a hard surface or water for the bullet can glance off and travel in unpredictable directions with considerable velocity.

11. **Avoid drinking alcoholic beverages and/or taking prohibited drugs when handling the firearm.**
12. **Keep guns and triggers locked, and in locked storage when not in use. Keep ammunition and guns in separate locked storage. Take responsibility for keeping firearms and ammunition out of the hands of unauthorized users of your firearm.**

STATEMENT OF LIABILITY

The DOUBLE STAR CORP. PISTOL is classified as a firearm of dangerous weapon. It is expressly understood that the manufacturer DOUBLE STAR CORP. assumes no liability for it's resale or unsafe handling under local laws and regulations; and for physical injury or property damage resulting from either intentional or accidental discharge, or for the function of the gun subjected to influence beyond the manufacturer's control. DOUBLE STAR CORP. will honor no claims which may result from careless handling, unauthorized adjustment, defective or improper ammunition, corrosion or neglect.

WARRANTY

DOUBLE STAR CORP. will adjust or repair, to it's commercial standards, any part thereof found to be defective in material or workmanship. Such services shall be made free of charge within one (1) year from date of registered purchase.

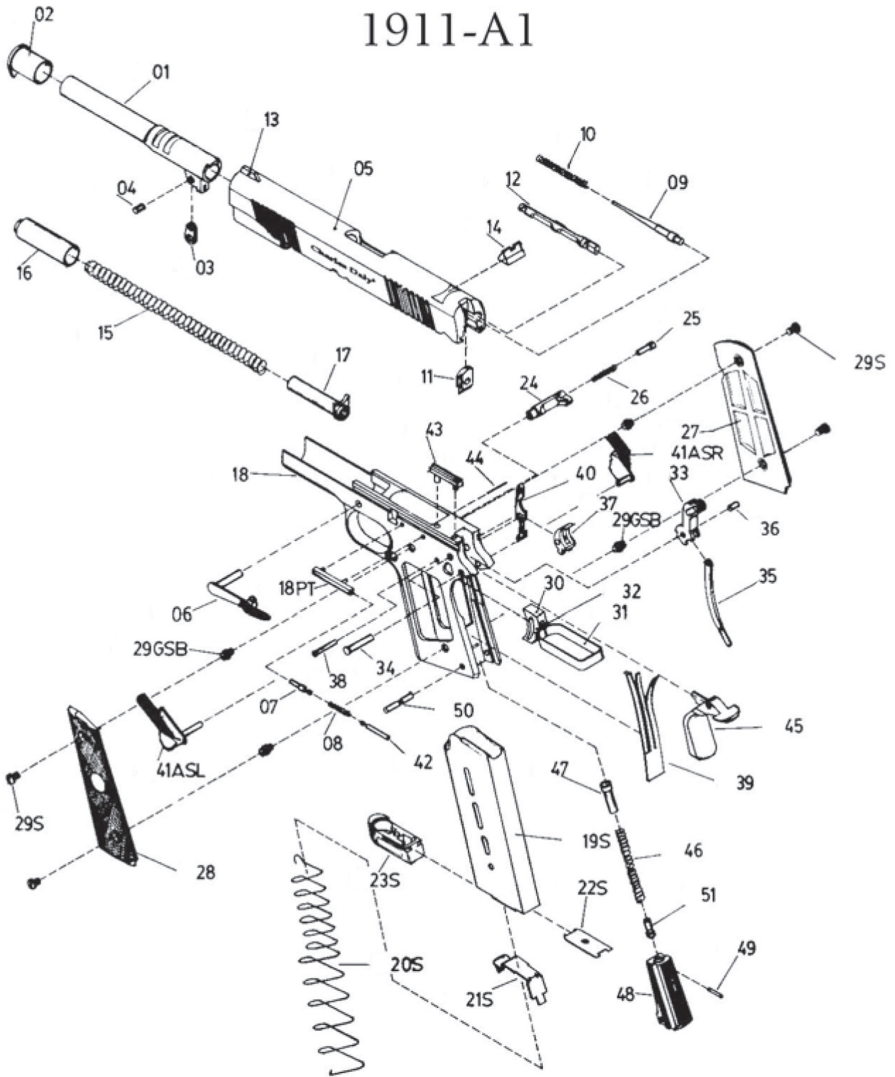
PARTS LIST

(Note: With reference to the exploded drawings on pages 12, 13, and 14)

PART No.	DESCRIPTION
01 CS MS	Barrel
02 MS	Barrel Bushing
03	Barrel Link
04	Barrel Link Pin
05 CS MS	Slide
06	Slide Stop
07	Slide Stop Plunger
08	Plunger Spring
09	Firing Pin
10	Firing Pin Spring
11	Firing Pin Stop
12	Extractor
13 A	Front Sight
14	Rear Sight

15 CS	Recoil Outer Spring
16 CS	Recoil Spring Reverse Plug
17 A CS	Recoil Spring Guide, Rod
17 B CS	Recoil Spring Guide, Tube
17 C CS	Recoil Spring Guide, Flange
17 D CS	Recoil Inner Spring
18 CS	Frame
18 PT	Plunger Tube
19 S CS	Magazine Box
20 S CS	Magazine Spring
21 S	Magazine Follower
22 S	Magazine Follower Plate
23 S	Magazine Base Pad
24 S	Magazine Release
25	Magazine Release Lock
26	Magazine Release Spring
27 S CS	Grip Panel Right
28 S CS	Grip Panel Left
29 S	Grip Screw
29 GSB	Grip Screw Bushing
30	Trigger Shoe
31	Trigger Stirrup
32	Trigger Stirrup Pin
33	Hammer
34	Hammer Pin
35	Hammer Stru
36	Hammer Stru Pin
37	Sear
38	Sear Pin
39	Sear Spring
40	Disconnecter
41 CS	Safety Lock (std.)
42	Safety Lock Plunger
43	Ejector
44	Ejector Pin
45	Beavertail Grip Safety
46	Main Spring
47	Main Spring Cap
48	Main Spring Cap Pin
49	Main Spring Housing
50	Main Spring Housing Pin
51	Main Spring Housing Pin Retainer

1911-A1



NOTES

A large empty rectangular box with a black border, intended for writing notes. The box is positioned below the 'NOTES' header and occupies most of the page's vertical space.

WARNING

Discharging firearms in poorly ventilated areas, cleaning firearms, or handling ammunition may result in exposure to lead and other substances known to the State of California to cause birth defects, reproductive harm and other serious physical injury. Have adequate ventilation at all times. Wash hands thoroughly after exposure.