



# OWNER'S MANUAL

*Instruction Book for UTS-15 Shotgun*

[www.utas-usa.com](http://www.utas-usa.com)

UTS15



[www.utas-usa.com](http://www.utas-usa.com)

# OWNER'S MANUAL

## *Instruction Book for UTS-15 Shotgun*

Introduction.....	4-5
Ten commandments of safety .....	6-12
Important Parts & Mechanism .....	13-15
Loading and Firing .....	16-23
Unloading.....	24
Cleaning.....	25-28
Complete Disassembly.....	29-51
Exploded View & Part List .....	52-54
Parts and Service .....	57

## *Introduction*

Congratulations on your purchase of the UTS-15 Shotgun. This shotgun is on the cutting edge of modern shotgun design and materials utilization. Developed by UTAS MAKINE LTD and manufactured in the United States and Turkey, the UTS-15 is sure to change the way sportsmen as well as military and law enforcement personnel view a shotgun and its capabilities.

UTAS is a company that specializes in firearms design, engineering and OEM manufacturing. Arguably, UTAS is one of the top sporting firearms design companies with their products being voted “Gun of the Year” by the NRA’s American Rifleman Magazine in 2006 and again in 2007. Although UTAS continues to win awards for beautiful designs, the heart of the company is innovation as exemplified in the revolutionary new UTS-15.

The UTS-15 is a unique shotgun platform not previously seen by the American shooter. The UTS-15 platform is to the shotgun shooter as the AR platform is to the center fire rifle shooter. The UTS-15 is offered in several hunting configurations as well as a Military and Law Enforcement specification. While the sporting model has twin magazines of 5 round capacities requiring manual magazine selection, the M&P model offers a total magazine capacity of 15 rounds with consecutive automatic magazine selection. The M&P model has additional law enforcement enhancements

including a flash suppressor extended choke and an integral laser / spotlight night sight designed for close-quarters combat situations. You will find that the UTS-15 is equally at home in shooting 2 3/4" or 3 inch ammunition. Additionally, the UTS-15 will reliably feed specialty rounds loaded in 2 1/2 inch cases. A variety of sporting choke tubes is available from cylinder bore for big game such as wild boar, bear or deer with buckshot or slugs to an extra full turkey choke.

As with any firearm, you are asked to become familiar with the UTS-15 and this operator's manual even before you take it out of the box. It is impossible to be too careful when it comes to firearms safety. Most firearms accidents could be prevented with just a few simple rules such as controlling the direction of the muzzle, proper operation of the safety mechanism and utilization of the proper loads designed for your particular firearm. The UTS-15 is not your father's shotgun. Take your time, use your head, be safe with this new and exciting shotgun and it will provide you with a lifetime of shooting enjoyment.

## *Warning!*

Failure to follow any of these safety precautions and the Ten Commandments of Firearms Safety may cause personal injury including death to the shooter or to bystanders as well as substantial property damage. If you have any questions regarding your UTS-15 or its safe operation, please call **UTAS-USA at (+1) 847 768 1011**. We will be happy to talk to you.

## *The ten commandments of firearm safety*

The following Ten Commandments of Firearm Safety should be committed to memory and kept in mind anytime you are handling firearms whether on the range, in the field or at home for cleaning and storage. Please give these commandments your full attention and obtain a through understanding of these rules. Mistakes can be made by even the most experienced shooter. Make sure that is not you by memorizing and faithfully practicing these Ten Commandments of Firearms Safety.

**First commandment**

*Always keep the muzzle pointed in a safe direction.*

This commandment is listed first and is number one because it is the most important rule to remember and follow. If your muzzle is always pointed in a safe direction, you can never have an accidental discharge that will cause any injury or damage. Never allow your gun to point in any direction or at anything you do not want to shoot. This rule applies to your firearm whether it is loaded or not and particularly when either loading or unloading your firearm.

**Second commandment**

*Firearms should be unloaded when not actually in use.*

Your firearm should only be loaded when you are at the range or in the field and actually ready to shoot. When you have finished shooting, unload the firearm before putting it in your vehicle, tent or home. Always remember to unload the firearm completely. This means removing all ammunition not only from the chamber but the magazines as well. Anytime you are given a firearm, check to see if it is unloaded. Do this as well when passing a firearm to another person. The mark of a real firearm pro is to always know the loading condition of any firearm you are handling. Always use good common sense. If you are climbing into a tree stand, crossing a fence, stream or other obstruction, unload your firearm. Do not store firearms loaded. Be particularly careful around children who are often fascinated with firearms. Lock your firearms away and secure your ammunition in a separate storage facility

## **Third commandment**

### *Do not rely on your firearm's safety.*

Your UTS-15 has a safety designed to maximize performance and safety. It is, however, a mechanical device and is subject to failure. Always keep your safety engaged until you are ready to take your shot. Never put your finger on the trigger until you are ready to take your shot. Do not pull the trigger just to “test the safety”. Before using your new shotgun, read the owner’s manual carefully and be completely familiar with the exact location and operation of your firearm’s safety mechanism. Always know that you and your good judgment are the best safety mechanism for your firearm.

## **Fourth commandment**

### *Be sure of your target and what's beyond it.*

Once you have pulled a trigger and released a round, you can never get it back. Know what you are shooting. Never take a “sound shot” or fire at a movement or flash of color. It might well be your hunting buddy. Know what is behind your target in case you miss or experience a ricochet. Bullets and shot charges can carry great distances and with lethal effect.



### **Fifth commandment**

### *Use proper ammunition.*

Your UTS-15 shotgun is designed to be used only with 12 gauge ammunition of no greater case length than three inches. Using the wrong ammunition or using ammunition that has been improperly loaded can cause serious personal injury and even death. It certainly can destroy your firearm. The most common ammunition error in 12 gauge shotgun shooting is called a 12/20 burst. This is when a 20 gauge shell is loaded into a 12 gauge gun by mistake. The 20 gauge shell will slide through the 12 gauge chamber and lodge in the bore. When a 12 gauge shell is then loaded and fired, the burst results. These situations have the potential to be fatal to both the shooter and those around the shooter. Always carefully check the markings on your ammunition to insure that what you are using is intended for your particular firearm. If you are using reloaded ammunition, be particularly careful to know that you are using properly reloaded shells.

**Sixth commandment**

*If your firearm fails to fire when the trigger is pulled, handle with care.*

Should this happen to you, remember the first commandment and keep your muzzle pointed in a safe direction. It may be a simple misfire where the primer did not ignite the propellant charge. It could also be what is known as a “hang fire” where the powder does not discharge immediately but might do so a second or two after the trigger is pulled. Keep your muzzle pointed in a safe direction, keep your face away from the ejection port, put the safety on and carefully unload the action. Safely dispose of the defective round. Throughout this procedure, always remember that the gun might discharge at any time.

**Seventh commandment**

*Always wear eye and ear protection when shooting.*

Your sight and hearing are always at risk when shooting. This is particularly true in clay target shooting or in confined spaces such as a duck blind or enclosed deer stand. Always use proper eye and ear protection. Most of us only have two eyes and two ears. Take care of them through proper protection when shooting.

### **Eighth commandment**

*Be sure the barrel is clear of obstructions before shooting.*

This procedure starts before you load your gun. Open the action and make sure that both the chamber and the magazines are clear. Check the barrel for any obstruction or debris. A very small obstruction such as a cleaning patch, snow, mud or similar object could well be enough to destroy your gun and hazard your life and limb. Never try to clear an obstruction by shooting a round through the barrel. If you notice something not quite right with the recoil or report when you fire your shotgun, stop, unload the gun and check the bore for obstructions.

### **Ninth commandment**

*Don't alter or modify your gun and have it serviced regularly.*

Your UTS-15 shotgun has been designed to operate within certain factory specifications. If you make any attempt to alter the trigger pull, safety mechanism or any other feature in any way you might jeopardize your safety and the safety of others around you. All mechanical devices are subject to failure through wear, misuse or poor maintenance. Make sure that you periodically have your shotgun serviced and inspected by a competent service facility. The best way to insure continuing serviceability is proper cleaning and lubrication. Before cleaning, always make sure that your firearm is completely unloaded. If possible, clean the bore from the chamber end to the muzzle end.

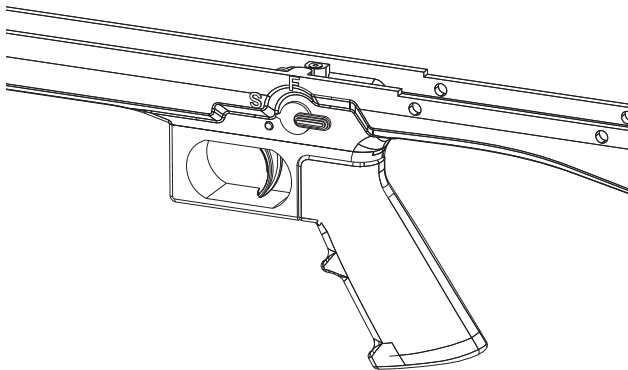
**Tenth commandment**

*Learn the mechanics and handling characteristics of your firearm.*

You might be a real firearm pro but not all guns are alike in features, operation and performance. This is particularly true of the UTS-15 which represents a new and totally different shotgun platform. Read your instruction manual from cover to cover. Become familiar with all the different component parts and operating features. As an additional note, alcohol and gun powder DO NOT MIX! Always shoot sober. Never consume anything that will impair your judgment when it comes to using firearms. A majority of the firearms accidents in the world every year involve the use of drugs and alcohol. Stay safe! Stay alive! SHOOT SOBER!

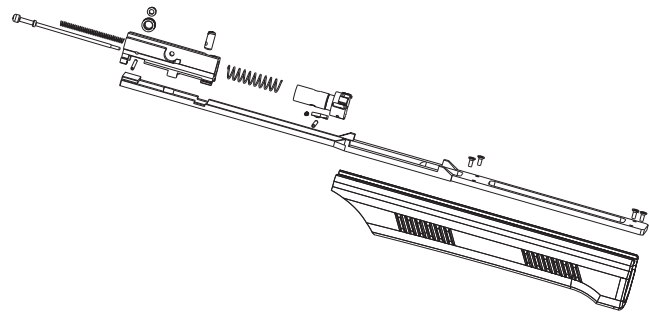
## *Safety Mechanism*

As indicated in illustration the tip of the safety selector is pointed at S for safety. To fire the switch is rotated clockwise until the tip is pointed at the F for fair.



## *Fore-end*

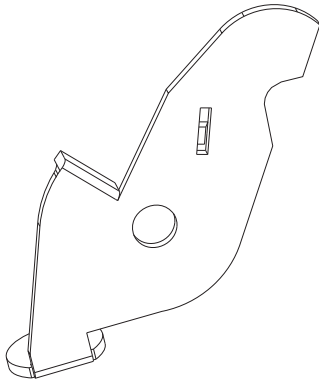
This is used to pull the bolt rearward to open the action and to load another round after firing.



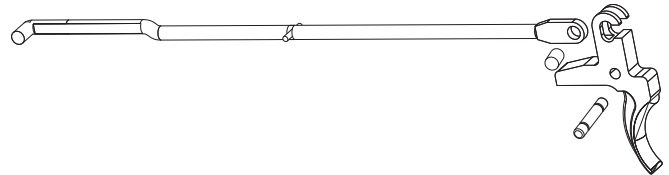
## *Action Bar Release (bolt release)*

### *Trigger*

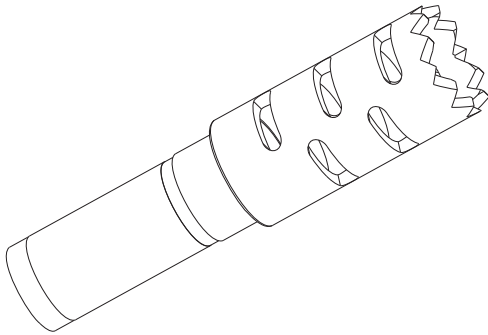
The action bar release is used to unlock and operate the action when the trigger has not been pulled.



Pulling the trigger will discharge the firearm if the chamber has a loaded round in it. The weight of the trigger is set at the factory. Do not attempt to adjust the trigger. To do so might result in an unsafe condition resulting in accidental discharge.



## *Choke Tubes*



## *Warning*

Unload the firearm completely before attempting to change a choke tube. Leave the action open and the chamber and magazine empty.

To change the choke tube:

- Point the firearm in a safe direction.
- Engage the safety.
- Place the choke tube wrench into the choke tube.
- Turn the wrench counter clockwise to remove the choke tube.
- Screw in the new choke tube with the wrench.
- Tighten the choke tube snugly but **DO NOT OVERTIGHTEN**. With the action open and the chamber empty, check the choke tube occasionally to make sure the tube has not become loose.
- **NOTE:** NEVER fire the firearm without a choke tube installed.

## *UTS-15 Owners Manual Additions*

### *Loading and Firing*

At the range after removing your UTS-15 from its protective carton or deployment case, check to make sure the safety is in the on safe position (picture 1)



depress the bolt release button (picture 2)





and slide the action into the full rear position to insure the chamber is empty, then raise the upper stock (picture 3)



to visually confirm that there are no live shells in either magazine tube (picture 4).





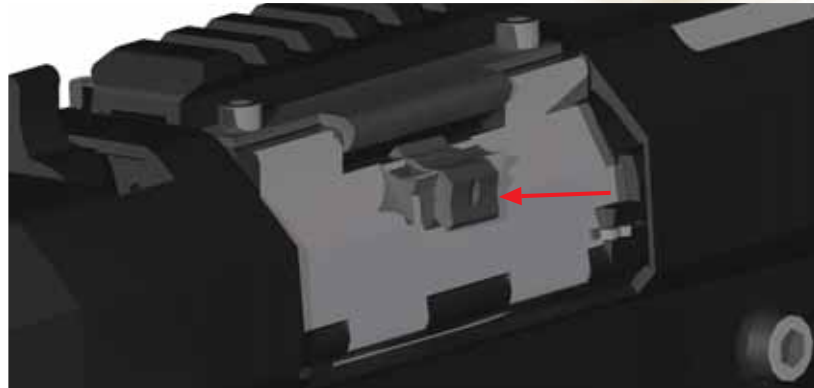
With the upper stock raised you will be able to see the serial number plate on the left side of the receiver (picture 5).



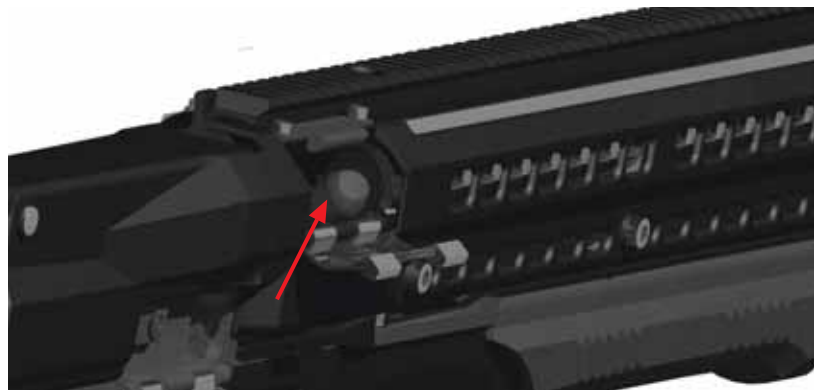
It is a good idea to record this serial number and place it in a safe place in case your UTS-15 is ever lost or stolen.

After confirming that your UTS-15 is in fact empty, check again to make sure the safety is in the safe position, then check that the extended choke tube, tactical choke or barrel extension are fully screwed in and snug (picture 6).

Open the loading port doors by pressing down on the loading door release latch (7).



The shell follower should then be pushed forward with the end of your thumb until it passes the magazine shell catch (8)





which will hold the magazine follower in the magazine tube, leaving the monobloc port open to receive shells (9).

Six 2 ¾" 12 gauge shells or five 3" shells can now be loaded into each magazine tube; the remaining shell can then be placed in the open monobloc loading port (10).



When the loading port door is closed the shells held in the magazine tube will be released, charging the full seven 2 ¾" or six 3" shells into the ready to load position, with an audible sound of the shells moving rearward to the rear of the monobloc.

Visual inspection to confirm that the magazine is full charged can be achieved by viewing the cartridge counter indicator the viewing ports in the side of the aluminum magazine tube (11)



Now with both magazines fully charged and the action in the full rear position the 15<sup>th</sup> shell can be placed directly in the chamber of the barrel (12).



# UTS15



With the UTS-15 pointed down range and the magazine selector in the center position if a full 15 rounds is to be fired (13)

(the magazine selector can be moved to either the full right or full left position to block the corresponding magazine if you choose to fire from only one magazine), check that there is no one in front of the firing line and that there is a sufficient down range back stop to contain the fired projectiles.



With the range safe, place the butt of the UTS-15 snugly to your shoulder (14)

slide the action to the full forward locked position, rotate the safety to the fire position and commence firing.



The action will automatically release when the shell is fired; the action should then be moved fully rearward in a positive manner to expend the spent cartridge and have a new live round loaded onto the shell loading ramp (15).

## UTS15

Sliding the action back into the full forward and locked position loads the new round and completes the loading cycle. Be sure the action is fully forward and locked before pulling the trigger. If the trigger is pulled before the action is fully forward and locked the hammer will fall, but the firing pin can not reach the shell's primer, this is a key safety feature of the UTS-15 to insure that a shell can not be fired until the action is fully closed and locked. Inexperienced shooters, in an attempt to load and fire rapidly will often pull the trigger before the gun is locked and then think that either the shell is a dud or something is wrong with the gun. To rapidly fire the UTS-15 takes practice, so go slowly at first making a conscious effort to positively pump the action fully rearward, then forward into the locked position before pulling the trigger. After repeated practice, pumping the UTS-15 can become a motor reflex, but only time and work on the range can develop this skill.

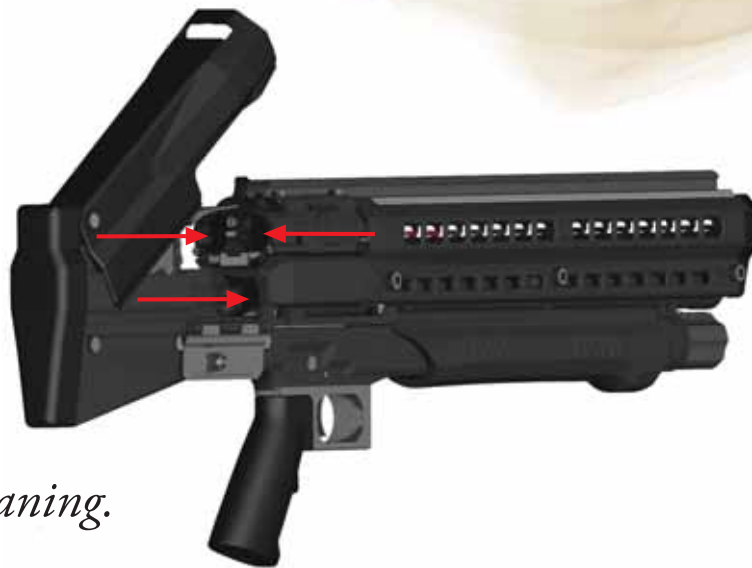


### *Unloading*

When you have finished firing the UTS-15 if a shell remains in either magazine, place the safety in the safe position, remove the gun from your shoulder and while keeping it pointed down range depress the bolt release button and cycle the remaining shells through the action.



Once the last live shell has been ejected leave the action open, raise the upper stock and visually confirm that no shells remain in the magazines tubes, then visually confirm that no shell remains in the chamber of the barrel (16).



*The UTS-15 is now ready for cleaning.*

### *Cleaning*

It is not necessary to fully disassemble the UTS-15 to clean it, but field stripping is advised so that proper lubrication can be applied to keep the action running smoothly.

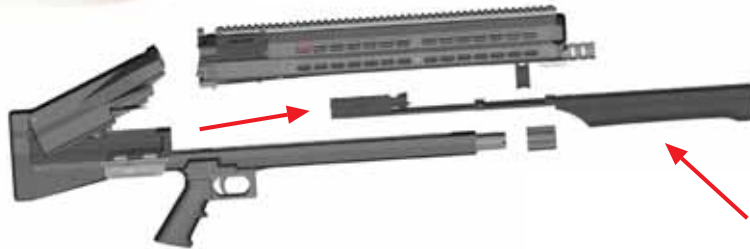
# UTS15



To field strip the UTS-15, leave the upper stock in the raised position, unscrew and remove the barrel retaining cap (17).

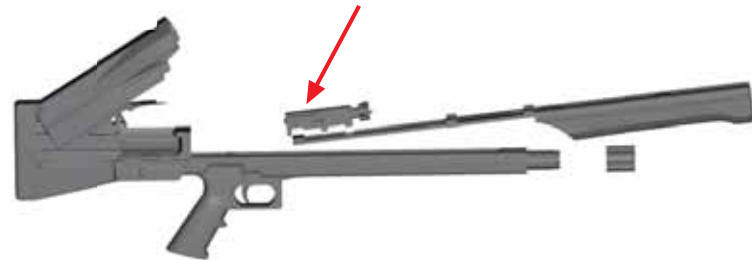
Then slide the barrel / magazine assembly forward and lift off (18).





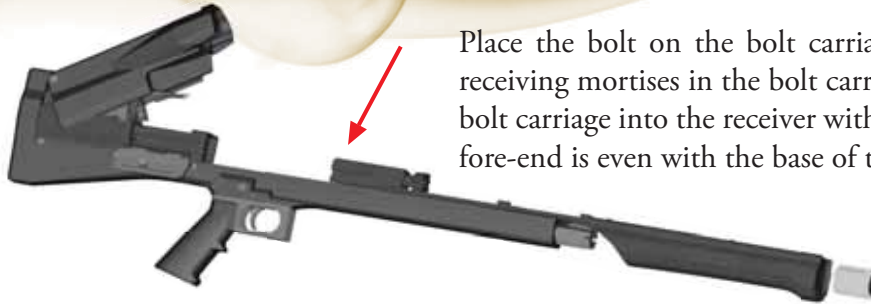
With the barrel / magazine assembly removed, slide the fore-end and bolt carriage assembly forward and off (19),

while being conscious that the bolt when free of the receiver can be lifted off the bolt carriage (20).



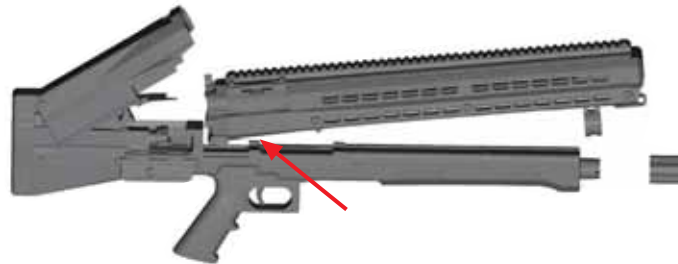
You will now have four parts: the barrel / magazine assembly, lower stock and receiver assembly, bolt carriage / fore-end assembly and bolt. Clean the barrel with gun solvent and finish with a lightly oiled patch. The inside of the receiver can be wiped clean, but oil should not be used. For best operation a small amount of dry graphite powder provides the best lubrication. Wiping the bolt head and shank with a cloth and a drop of gun oil on the bolt head shank is all that is necessary to keep the bolt working smoothly. Further disassembly will be discussed later in this manual, but in most cases this simple cleaning and lubricating procedure is all that is necessary.

## *Field Strip Reassembly*



Place the bolt on the bolt carriage making sure it is fully down into the receiving mortises in the bolt carriage. With the upper stock raised, slide the bolt carriage into the receiver with the bolt release button depressed until the fore-end is even with the base of the barrel retaining pipe (21).

Now slide the barrel / magazine assembly into the receiver while making sure that the foot of the shell release slide is between the two bolt carriage extensions (22).



Press down firmly to make sure the barrel is fully mounted into the receiver then replace the barrel retaining cap making sure it is screwed down snugly. Close the upper stock, slide the action into the forward and locked position, then close the ejection port door.

## *Complete disassembly*

Field strip the UTS-15 (see section on field stripping).

**Bolt** – With a drift punch remove the lateral pin (23) in the lower rear of the bolt while depressing the firing pin forward to keep the firing pin spring captured when the lateral pin is removed.



Remove the firing pin and firing pin spring (24).





Lift out the bolt head retaining pin. Slide out the bolt head and bolt head spring (25).

Place the bolt head in a vice or similar type holding fixture and drive out the extractor retaining pin with a drift punch, being conscious of the extractor spring underneath the extractor. The bolt is now completely disassembled into its component parts.



**Receiver** – remove C clips from the receiver retaining pins and upper stock hinge pin (26).

Remove receiver and upper stock retaining pins with a drift punch then lift and remove upper stock. Remove butt plate retaining pin (27) with a drift punch and slide butt plate out of the lower stock assembly.

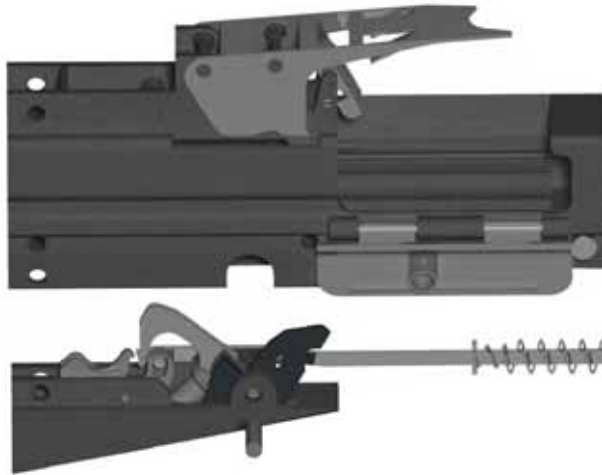


Rotate receiver out of lower stock (28) and unhinge trigger linkage from trigger.





With the receiver now free of the lower stock place the receiver on a surface in such a manner that the rear gearbox retaining pin (29) can be removed with a drift punch.



The front gearbox retaining pin can now be driven from left to right with a drift punch only  $\frac{1}{4}$ " (30) to allow the gear box assembly to be dropped out of the bottom of the receiver while still retaining the component parts in the gear-box assembly.



The trigger linkage will fall free as the gearbox is removed (31).



The gear box can be further disassembled by removing the remaining gear box retaining pin which will free the hammer, hammer spring & plunger and bolt release (32).





The sear / secondary sear assembly can be removed from the gearbox housing by pushing out the sear pivot pin (33)



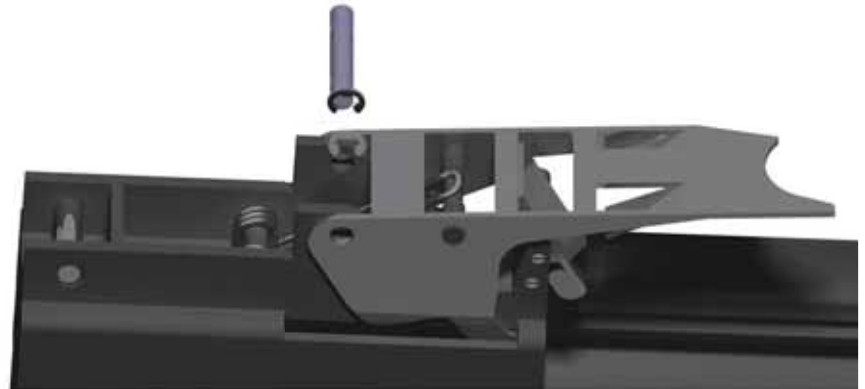
with a drift punch. The secondary sear can then be removed by driving out the secondary sear pivot pin (34)

while being conscious of the secondary sear spring retained underneath.

The loading mechanism of the receiver can now be addressed. First remove the C clips from the mousetrap spring retaining pin (35).

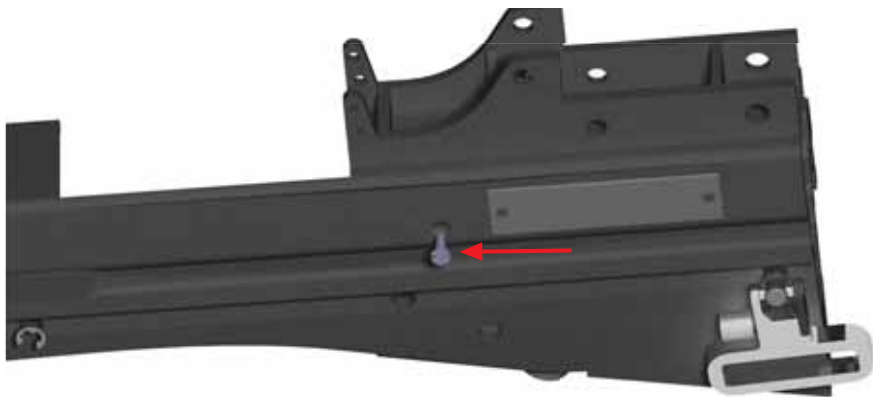


With the receiver held in a vice or similar holding fixture, hold the mousetrap spring down by placing a block of wood or similar material on the spring coils while the mousetrap spring retaining pin is removed with a drift punch. Remove the C clips from the mousetrap spoon pivot and forward pin (36) and remove pins from assembly.





The mousetrap trigger plate and spring is held in place with a headless screw, with a similar spring bearing screw directly below (37).

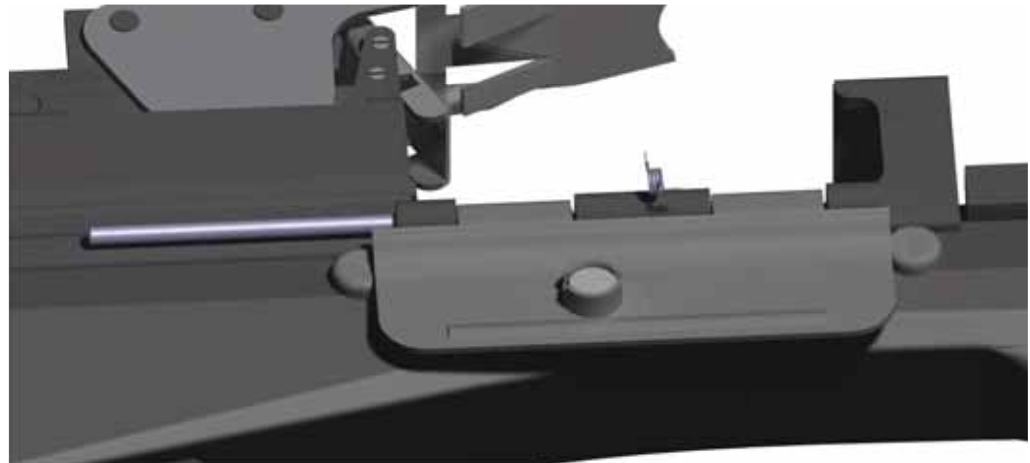


Carefully remove these two screws to complete the disassembly of the receiver loading mechanisms. Unscrew the ejector spring retaining screw on the left side of the receiver (38).

With the ejector spring retaining screw removed the ejector spring and pin (39)



may fall free or can be pushed out of the receiver with a thin screw driver or wire. Carefully drive the ejection port door retaining pin (40) out of the receiver being conscious of the ejection port door spring; this completes the disassembly of the receiver.





**Lower stock** – remove the safety spring retaining screw (41)



from the stock and drop out the safety spring and plunger (42).

Rotate the safety a little over 90° until the machined clearance flat on the safety is over the trigger bar and slide safety out of the stock(43)



Remove the C clips from the trigger retaining pin, push out the pin and lift the trigger out of the stock (43 A).



## UTS15

If your UTS-15 is equipped with a tactical laser / spotlight unit the unit can be completely removed by unplugging the wiring just forward of the switch (44).



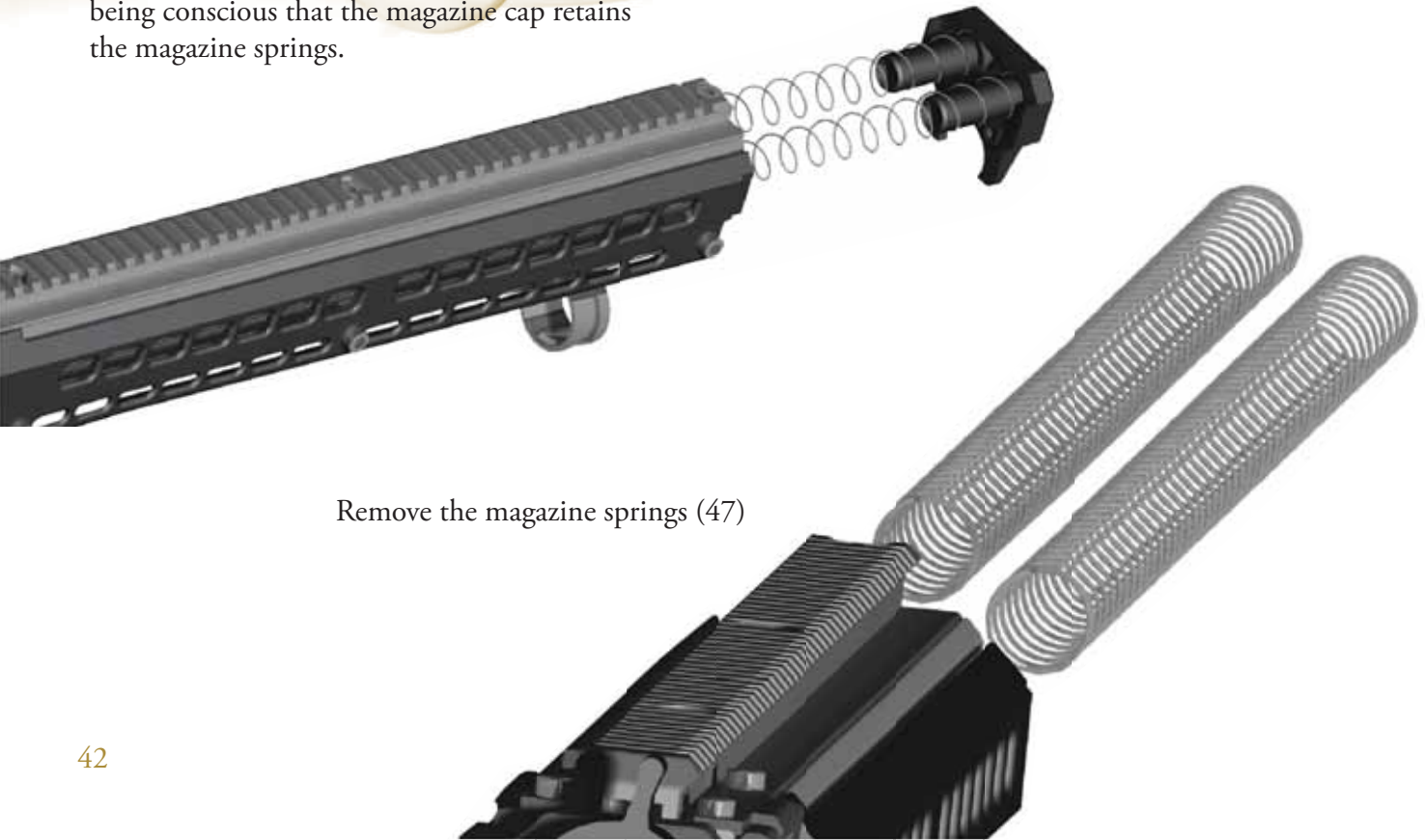
If the switch needs to be removed the rotary switch (45) can be unscrewed and the switch body pulled free.





**Barrel / magazine assembly** - Remove the magazine cap (46) by unscrewing the two forward caps screws

being conscious that the magazine cap retains the magazine springs.



Remove the magazine springs (47)

and magazine followers (48).



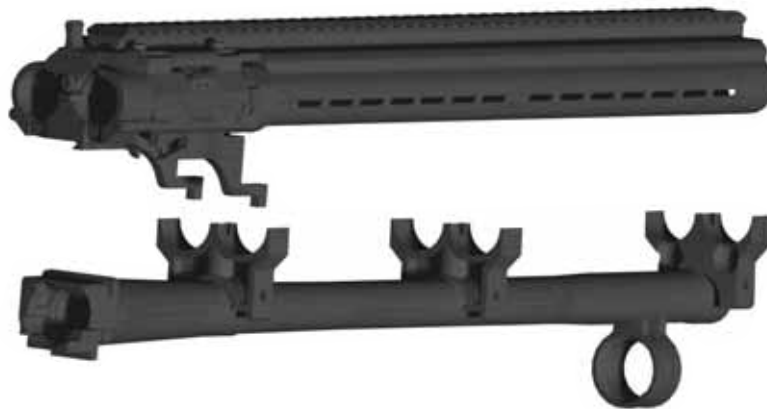
Remove the three side cover screws on the right side and the two side cover screws and sling swivel screw on the left side (49) and lift off side covers.

# UTS15

Unscrews the three top rail screws (50)



and lift off top rail /  
magazines, monobloc  
subassembly (51)





the three magazine supports (52) can now be lifted off the barrel.

Remove the two shell release slide screws (53)



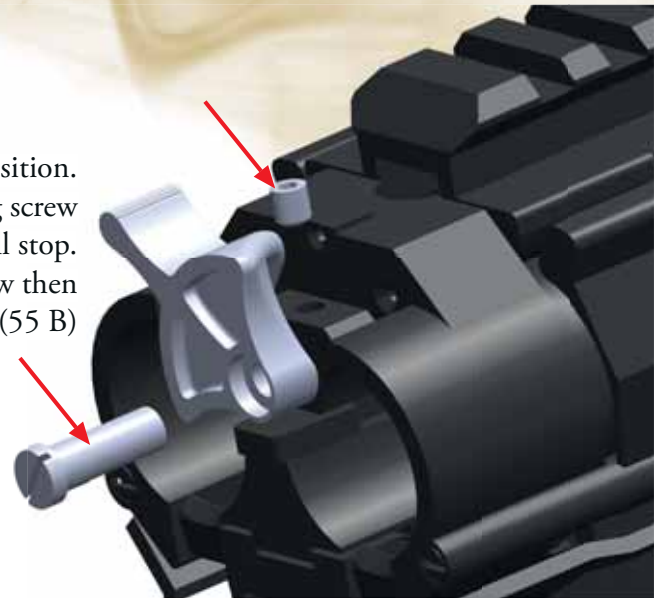
with their washers and tensions springs and lift off the shell release slide (54).



This will also free the top rail from the monobloc and allow the magazine tubes to be removed from the monobloc as well ( 55 A).

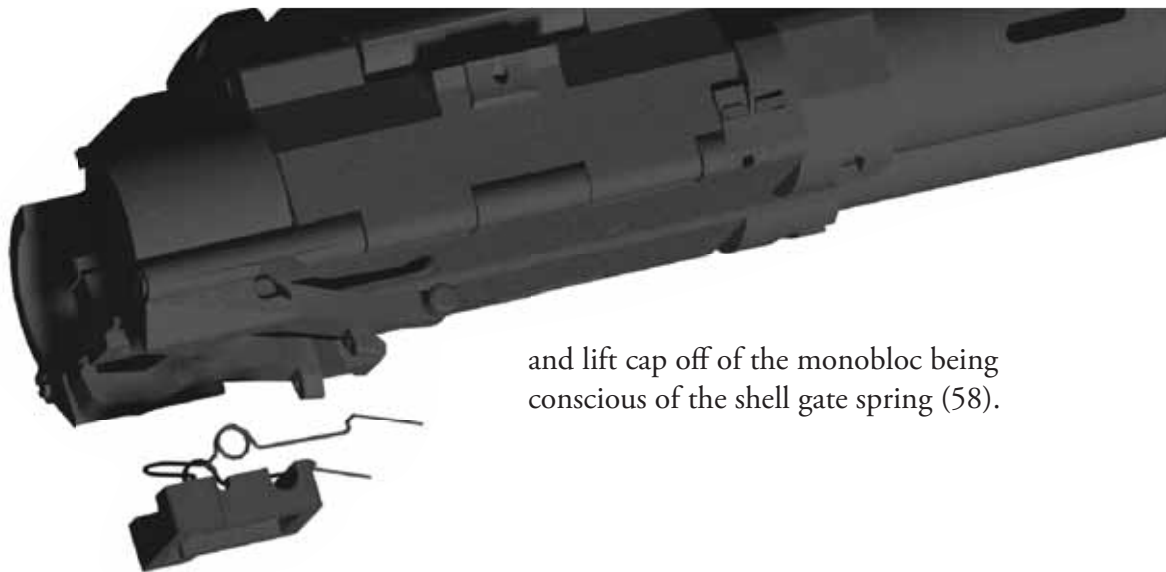


Remove the shell stop full right or full left position. Right behind the shell stop there is a retaining screw which connects the monoblock to the shell stop. First unscrew the shell stop retaining screw then unscrew the shell stop screw. (55 B)



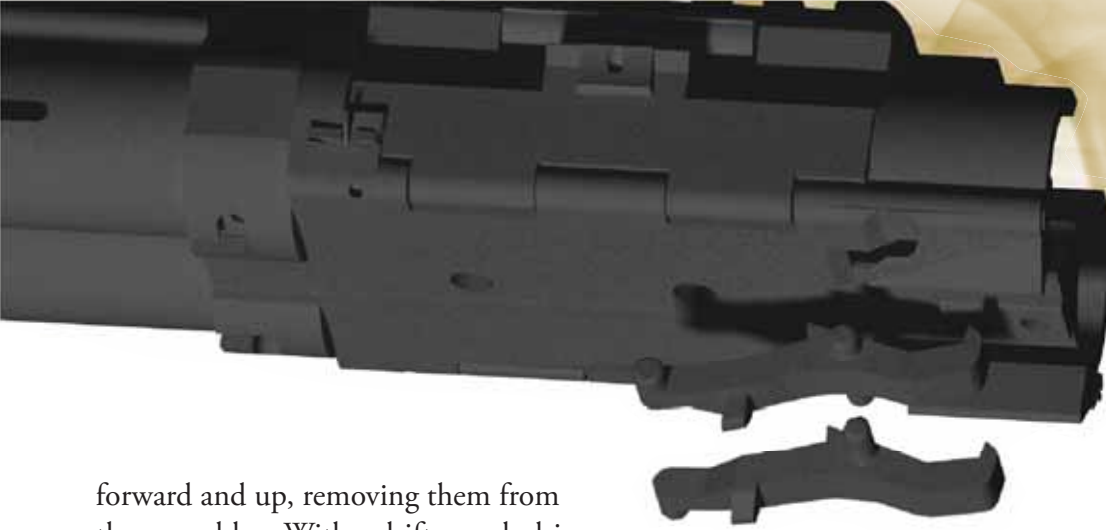
being conscious of the spring and detent bearing housed in the shell stop(56).

Remove the two screws holding the shell gate cap (57)



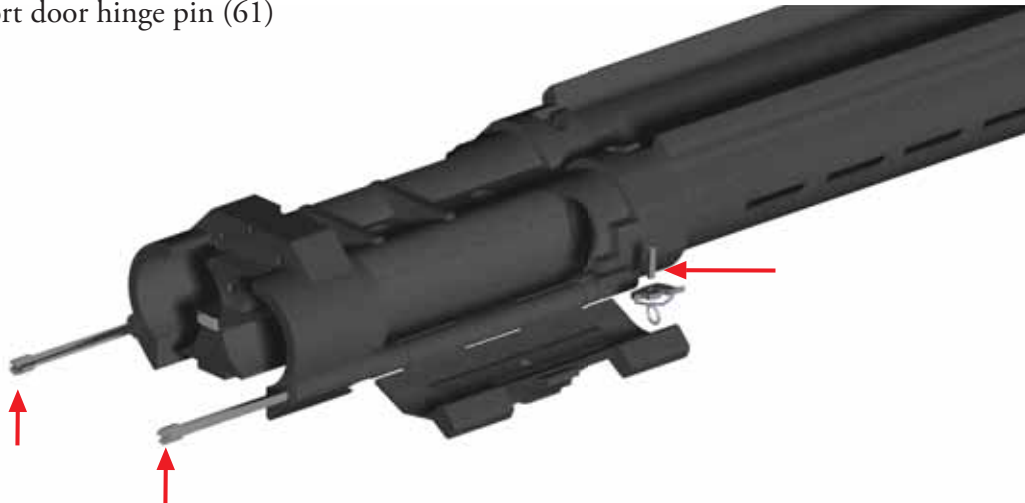
and lift cap off of the monobloc being conscious of the shell gate spring (58).





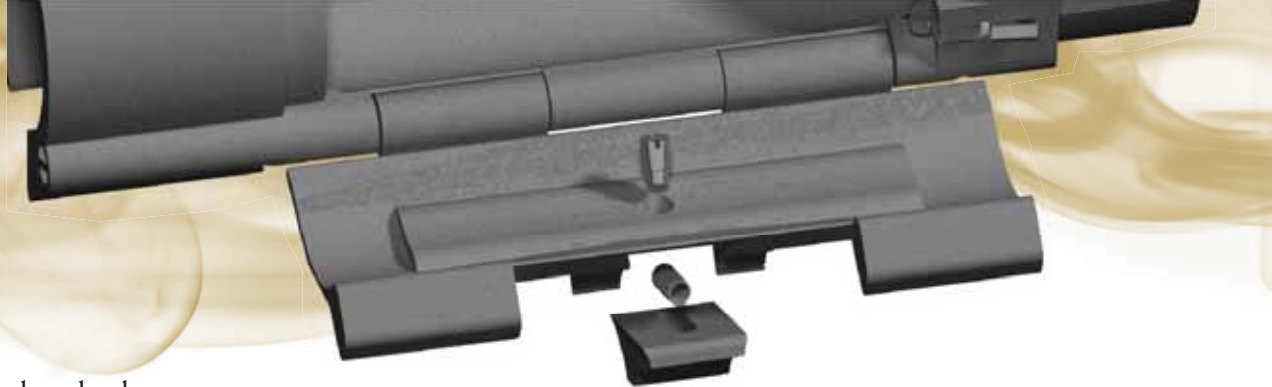
Slide the shell gates (59)

forward and up, removing them from the monobloc. With a drift punch drive out the shell catch pivot pin (60) and remove shell catch and shell catch spring from the monobloc. Drive the loading port door hinge pin (61)



out of the monobloc from front to rear with a drift punch and lift loading port doors free.

UTS15

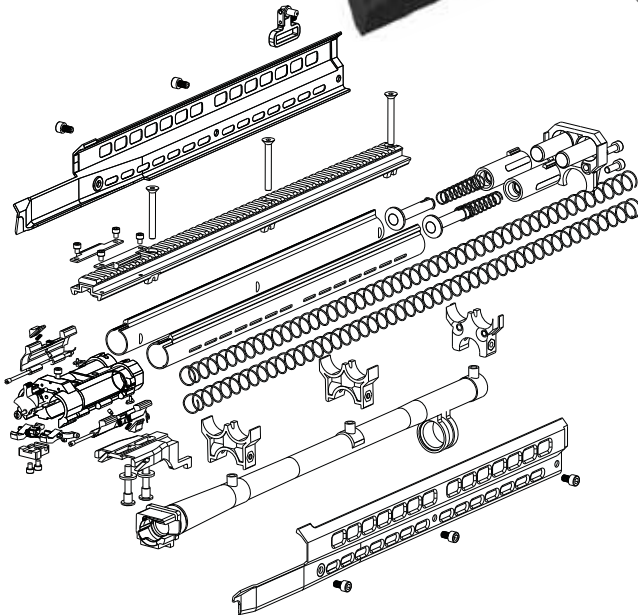


Remove loading port door latch retaining screw (62)

being conscious of the loading port door latch spring underneath. Unscrew the interrupter retaining screw (63) from the monoblock



and slide interrupter (64) out of monoblock.



This completes the entire disassembly of the UTS-15.

**Assembly** – The UTS-15 is simple and robust by design and does not require a skilled gunsmith for correct assembly. However, in some areas special tools and fixtures greatly contribute to the ease of assembly. Professional service personnel should contact UTAS Technical Services for the availability of special tools, fixtures and training videos.

UTS15

*UTS-15 Pump Action Shotgun*  
**Parts of the UTS-15**

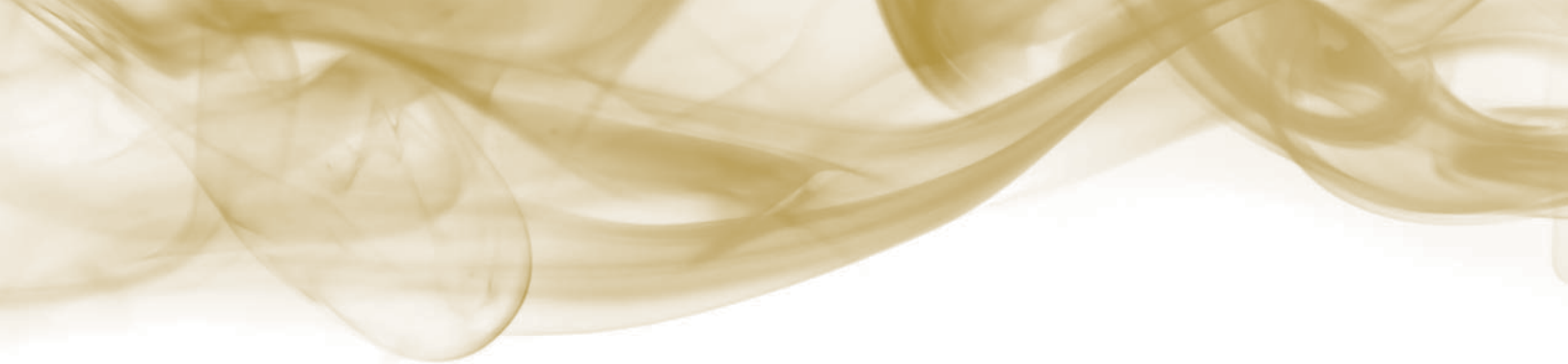
# Part Listing For Model: UTS15 Pump-action

# UTS15

VIEW	DESCRIPTION	QTY
1	FRONT MAGAZINE CAP	1
2	FRONT MAGAZINE CAP SCREWS	2
3	MAGAZINE FOLLOWER BODY LEFT & RIGHT	2
4	MAGAZINE FOLLOWER PLUNGER	2
5	MAGAZINE FOLLOWER SPRING	2
6	RIGHT MAGAZINE TUBE	1
7	LEFT MAGAZINE TUBE	1
8	MAGAZINE TUBE SPRING	2
9	MONOBLOCK BODY	1
10	SHELL RELEASE PLATE	1
11	SHELL RELEASE PLATE SCREW	2
12	RIGHT SHELL RELEASE GATE	1
13	LEFT SHELL RELEASE GATE	1
14	SHELL RELEASE GATE SPRING	1
15	SHELL FEED GATE CAP	1
16	SHELL FEED GATE SCREW	2
17	INTERRUPTER	1
18	INTERRUPTER SCREW	1
19	SHELL STOP	1
20	SHELL STOP SCREW	1
21	SHELL STOP SPRING	1
22	SHELL STOP BALL 4 MM	1
23	RIGHT LOADING PORT DOOR	1
24	LEFT LOADING PORT DOOR	1
25	LOADING PORT HINGE PIN	2
26	TOP RAIL	1
27	LOADING PORT DOOR SCREW	4
28	TOP RAIL SCREW	3
29	FRONT MAGAZINE SUPPORT	1
30	MIDDLE & REAR MAGAZINE SUPPORT	2
31	RIGHT SIDE COVER	1
32	LEFT SIDE COVER	1
33	SIDE COVER SCREW	5
34	SIDE COVER SCREW WITH HOLE	1
35	BARREL	1
36	BARREL EXTENSION	1
37	EXTENDED CHOKE TUBE	1
38	BARREL HANGER	1
39	BARREL STUDS	3
40	FORE-END	1
41	FORE-END SCREW	4
42	BOLT CARRIAGE	1
43	BOLT BODY	1
44	BOLT HEAD	1
45	FIRING PIN	1
46	FIRING PIN SPRING	1
47	BOLT HEAD SPRING	1
48	BOLT HEAD PIN	1
49	FIRING PIN RETAINING PIN	1
50	BOLT WHEEL	1
51	BOLT WHEEL SCREW	1
52	EXTRACTOR	1

VIEW	DESCRIPTION	QTY
53	EXTRACTOR PIN	1
54	EXTRACTOR SPRING	1
55	MAGAZINE CAP	1
56	MAGAZINE CAP SPRING	1
57	LOWER STOCK	1
58	TRIGGER GUARD	1
59	LOWER STOCK MAGAZINE TUBE	1
60	TRIGGER	1
61	TRIGGER PIN	1
62	SAFETY	1
63	SAFETY BALL 3 MM	1
64	SAFETY SPRING	1
65	PISTOL GRIP	1
66	PISTOL GRIP SCREW	1
67	TRIGGER GUARD SCREW	2
68	GEAR BOX BODY	1
69	HAMMER	1
70	BOLT RELEASE	1
71	HAMMER/BOLT RELEASE PIN	1
72	BOLT RELEASE SPRING	1
73	HAMMER SPRING	1
74	HAMMER SPRING PLUNGER	1
75	SEAR	1
76	SECONDARY SEAR	1
77	SEAR PIN	1
78	SECONDARY SEAR PIN	1
79	SECONDARY SEAR RETAINING PIN	1
80	SECONDARY SEAR SPRING	1
81	TRIGGER LINKAGE	1
82	HAMMER SPRING HOUSING	1
83	TRIGGER LINKAGE SPRING	1
84	RECEIVER	1
85	RECEIVER PLATE	1
86	EJECTION PORT DOOR	1
87	EJECTION PORT DOOR MAGNET	1
88	EJECTION PORT DOOR SPRING	1
89	EJECTION PORT HINGE PIN	1
90	MOUSE TRAP PIN	1
91	MOUSE TRAP SPOON	1
92	MOUSE TRAP FORWARD PIN	1
93	MOUSE TRAP SPRING	1
94	MOUSE TRAP SPRING RETAINING PIN	1
95	MOUSE TRAP TRIGGER PLATE	1
96	MOUSE TRAP TRIGGER PLATE PIN	1
97	MOUSE TRAP TRIGGER PLATE LOWER PIN	1
98	MOUSE TRAP TRIGGER PLATE SPRING	1
99	EJECTOR PIN	1
100	EJECTION PORT MAGNET HOUSING	1
101	EJECTOR SPRING RETAINING SCREW	1
102	EJECTOR SPRING	1
103	RECEIVER RETAINING PINS	1
104	MIDDLE RECEIVER RETAINING PIN	2

VIEW	DESCRIPTION	QTY
105	REAR GEAR BOX PIN	1
106	BUTT PLATE	1
107	RECOIL PAD	1
108	UPPER RETAINING PIN	1
109	UPPER STOCK	1
110	UPPER STOCK RETAINING PIN	1
111	SLING SWIVELS	2
112	FRONT SIGHT	1
113	SIGHT PIN	1
114	FRONT SIGHT CLAMP	1
115	FRONT SIGHT CLAMP SCREW	2
116	SET SCREW	1
117	REAR SIGHT	1
118	REAR SIGHT SPRING	1
119	REAR SIGHT APERTURE	1
120	WINDAGE SCREW	1
121	WINDAGE ADJUSTMENT KNOB	1
122	WINDAGE KNOB PIN	1
123	REAR SIGHT CLAMP SCREW	2
124	REAR SIGHT CLAMP	1
125	7.5" BARREL EXTENSION	1
126	TAKE DOWN TOOL	1
127	WINDAGE ADJUSTMENT KNOB SPRING	1
128	WINDAGE ADJUSTMENT KNOB BALL 3MM	1
129	LASER / FLASHLIGHT UNIT	1
130	FLASHLIGHT LENS	1
131	C CLIPS (3 MM)	2
132	C CLIPS (4 MM)	6
133	C CLIPS (5 MM)	4
134	O-RING	1
135	SAFETY SCREW	1
136	LEFT & RIGHT MAGAZINE TUBE RIVETS	4
137	SHELL RELEASE PLATE SPRING	2
138	SHELL RELEASE PLATE SCREW FLAT WASHER	2
139	PISTOL GRIP SCREW SERRATED WASHER	1
140	TRIGGER GUARD SCREW SERRATED WASHER	2
141	MONOBLOCK BODY EXTRACTOR	2
142	MONOBLOCK BODY EXTRACTOR SPRING	2
143	MONOBLOCK BODY EXTRACTOR PIN	2
144	LOADING PORT DOOR LOCK SLIDE	2
145	LOADING PORT DOOR LOCK SLIDE SPRING	2
146	LOADING PORT DOOR LOCK SLIDE SCREW	2
148	EXTENDED CHOKE TUBE CYLINDER SHORT	1
149	LASER / FLASHLIGHT SWITCH COVER	1
150	LOWER RECEIVER MAGAZINE TUBE LASER CAP	1
151	MAGAZINE CAP PIN	1
154	RED FLASHLIGHT UNIT	1
155	GREEN FLASHLIGHT UNIT	1
163	SHELL STOP RETAINING SCREW	1
164	LASER / FLASHLIGHT SWITCH HOLE PLUG	2
165	LASER / FLASHLIGHT TRIPLE SWITCH COVER	1





UTS15

