



Handling and Safety Instructions

Bedienungsanleitung- und Sicherheitsvorschriften

GB

D

Personal Datas:

1. Owner

First Name: _____

Name: _____

Street _____

P.O. Box: _____ Town: _____

Birthday: _____

Place of birth: _____

Passport/number.: _____

Date of gun owner ship: _____

Personal Datas:

2. Owner

First Name: _____

Name: _____

Street _____

P.O. Box: _____ Town: _____

Birthday: _____

Place of birth: _____

Passport/number.: _____

Date of gun owner ship: _____

Informationen of buying the GSG-AK47

Date of purchase: _____

Buying by: _____

Name: _____

Adress: _____

P.O. Box /Town: _____

Phone: _____

E-Mail: _____

Serial/number of the Weapon: _____

Type/number of the Weapon: _____

Kind of Weapon: _____

Contents	Section	Page
Michail Timofejewitsch Kalashnikov	D-01	05
Product description	D-02	06-07
General information /Safety regulations	D-03	08
Technical data	D-04	09
Main parts / Assembly groups	D-05	10
Safety mechanism	D-06	11
Transporting the gun	D-07	11
Handling the gun	D-08	12
General	D-09	12
Ammunition	D-10	12
Loading the magazine	D-11	13
Loading the gun (ready for firing)	D-12	14
Firing	D-13	15
Reloading during firing	D-14	16
Unloading the gun (magazine not empty)	D-15	17
Unloading the gun (magazine empty)	D-16	18
Decocking the gun	D-17	19
Sight correction for windage	D-18	20
Gun maintenance	D-19	21-23
Stripping the gun	D-20	21-23
Cleaning the gun	D-21	24
Adjusting front sight	D-22	25
Unscrewing the muzzle	D-23	26
Removing the handguard	D-24	27-28
Care of the gun	D-25	29
Trouble shooting / fault removal	D-26	29
Gun assembly	D-27	30
Safekeeping and storage of the gun	D-28	31
Shipping the gun	D-29	31
Accessories	D-30	32
Disposal	D-31	33
Spare Part List	D-32	33

D-01: Michail Timofejewitsch Kalashnikow

“Kalashnikov Assault Rifle AK 47” this description stands for the most produced Carbine worldwide with around 100 Million produced pieces. Michail Timofejewitsch Kalashnikow was injured during World War II in 1941. Then he became the leading head of engineering of the UDSSR and he presented the Assault Rifle AK in 1947.

GSG is proud to be the only licensee worldwide of Mr. Kalashnikov for Real Firearms.

During the winter 2007, Michail Timofejewitsch Kalashnikow visited GSG in Germany in order to find out that his licensed product will be used only for civilian purpose. GSG developed the Kalashnikov in Caliber .22 for sporting purpose for civilian use only. Gun enthusiasts can shoot on targets, use just for fun for plinking, use for small game hunting or for practical shooting like IPSC-Shooting.



Höinger bauen bald Kalaschnikows

Konstrukteur des weltberühmten Gewehrs genehmigt neue Sport- und Freizeitwaffe
Leistungsstarkes Unternehmen G.S.G. darf seinen Namen für ein Produkt verwenden

HÖINGER • Die Flagge Russlands weht zur Begrüßung auf dem Gelände der Firma „German Sport Guns“ (G.S.G.) am Osnabrücker Ring in Höinger. Industriepark, als Michail Timofejewitsch Kalaschnikow einst. Der legendäre russische Generalmajor ist Kameradscher der weltberühmtesten Waffe gleichen Namens.

Das Höinger Unternehmen bringt bald eine „Kalaschnikow“-Waffe. Die Sport- und Freizeitwaffe mit dem Kaliber „Punkt 22 LR“ befindet sich derzeit im fortgeschrittenen Entwicklungsstadium und wird in Kürze Marktreife erlangen.

Den Design und den technischen Funktionen der neuen Waffe gab der Konstrukteur aus Russland nach eingehender Inspektion seine Zustimmung. Kalaschnikow wurde in seiner Heimat mit dem Stalin- und Leninorden ausgezeichnet, er ist „Held der sozialistischen Arbeit“ und erhielt zum 75. Geburtstag 1994 vom damaligen Präsidenten Boris Jelzin den „Katerlandpreis“.

Beim Besuch des Konstrukteurs in Höinger ging es aber nicht allein um die „neue“ Kalaschnikow. Die GSG wollte auch sicher gehen, dass in einer einheimischen, technisch in der ersten Reihe stehenden Unternehmung neuen Namens für ein Produkt verwendet. Dabei galt das Interesse des Landes auch dem Vorstand- und Verwaltungsbüro in der Firma. • R. Risse

Obrazsa 47
Die bekannteste von Michail Timofejewitsch Kalaschnikow konstruierte Waffe ist die AK-47 (genannt Kalaschnikow, Sturmgewehr 47). Die 1947 entwickelte Sturmgewehr gilt als Vorbild für die später entwickelten sowjetischen automatischen Waffen. Sie konstruierte übernahm viele Eigenarten des deutschen Sturmgewehrs 44, von dem Entwurfsprinzipien erheblich beeinflusste. Allerdings ist das System der Verschleißorgane mit dem geprüften (bisher) völlig anders gelagert. Die AK-47 ist die am meisten produzierte Waffe weltweit (ca. 100 Millionen Exemplare) und wird in über 55 Staaten eingesetzt.



Michail Kalaschnikow inspizierte eine Waffe ähnlichen Typs, bevor er sein Entwurfsbüro zur Produktion der neuen Sport- und Freizeitwaffe gab. Dolmetscherin Martina Algenau übersetzt die Informationen zum Einzelwaffenhersteller und Geschäftsführer Dietmar Bräde (rechts). Mit dabei die Geschäftsführer der G.S.G., Michail Saboda und Manfred Niehaus. • R. Risse

Beim Besuch des Konstrukteurs in Höinger ging es aber nicht allein um die „neue“ Kalaschnikow. Die GSG wollte auch sicher gehen, dass in einer einheimischen, technisch in der ersten Reihe stehenden Unternehmung neuen Namens für ein Produkt verwendet. Dabei galt das Interesse des Landes auch dem Vorstand- und Verwaltungsbüro in der Firma. • R.

D-02: Product Description

Dear valued customer,

this gun has been designed for ammunition caliber “.22 Long Rifle HV”. Due to wide range of caliber .22 ammunition we decided to match the GSG-AK47 with high class standard as well as HV-ammunition.

Your retailer will be able to offer a large range of accessories with attachment parts as well as modification parts to meet the individual requirements.

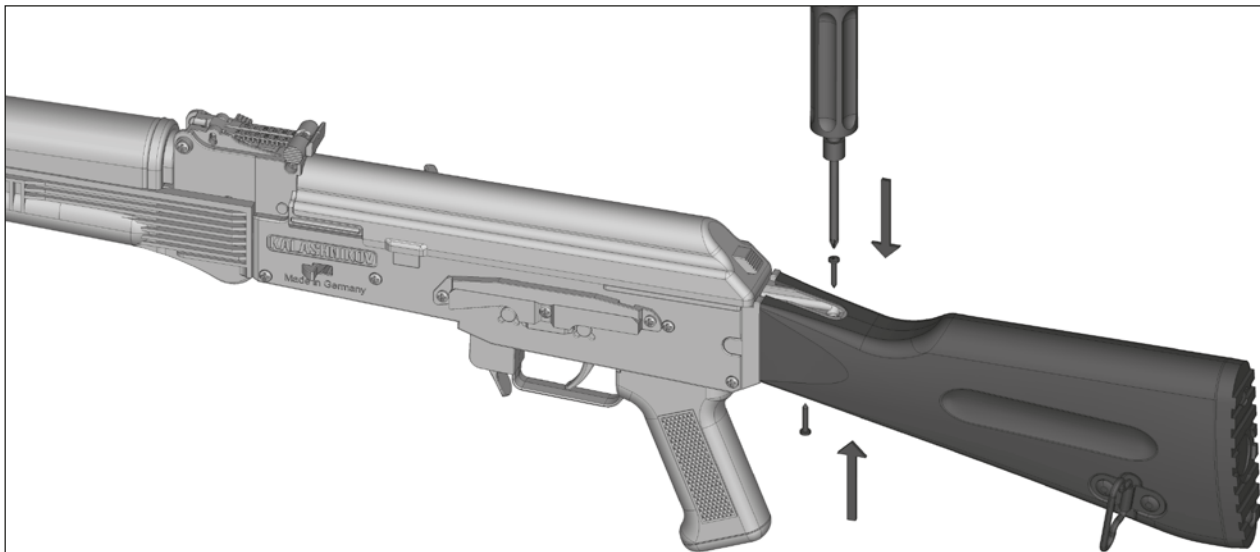
When unpacking a GSG-AK47 for the first time, the stock must be mounted with the attached screw. (see figure on page 7)

We wish you much pleasure with our product.

info@germansportguns.de

www.gsg-ak47.com





Fastening the stock with Multi Tool after unpacking

D-03: General Instruction / Safety regulation

Never use the gun under the influence of drugs or alcohol, while ill or suffering other such difficulties. These conditions can impair your powers of judgment and reflexes.

-Always think the gun as being loaded and with the safety off until you have established the opposite through the unloading procedure.

-Always keep the muzzle of the gun in a safe direction when handling. A safe direction is towards an area where there are no people, other life forms or property that is not a recognized target.

-Never point the gun at doors, panes of glass, walls, concrete, stone or flat surfaces (water included). A bullet can penetrate such surfaces or be ricocheted in an unsafe direction.

-Never aim at yourself or other life forms.

-Never rely on safety mechanism alone. Safety mechanism are not a substitute for careful, correct and secure handling of the gun

-Always treat your gun as if the safety mechanism is not functioning. The best safety precaution is a correct, well-trained and safe handling of the gun.

-Never shoot with a gun which has been penetrated by water, sand, dirt or other foreign bodies.

-Never decock the hammer by holding on to the hammer and pulling the trigger at the same time.

-Never let a loaded gun out of your hand

-Always unload the gun immediately after firing, before putting the gun away, putting into a holster or handing to another authorized person.

-Never give the gun to a person who has not thoroughly familiarized himself or herself with the safety instructions and handling of gun, by reading the corresponding instructions.

-Never leave the gun lying unattended and protect the gun from unauthorized access. Unauthorized person could do damage, or threaten or kill others and you will be vicariously liable for.

-Never store the gun loaded, but rather remove the magazine and ensure that no cartridge is left in the chamber of the barrel.

-Always keep the gun and the ammunition separate from another, and ensure that neither is obtained by unauthorized persons or children.

-Always wear eye and ear protection when shooting.

D-04: Technical Data:

GSG-AK47

Caliber .22 Long Rifle HV

Overall length 927 mm

Overall height 206,7 mm

Overall width 70,6 mm

Barrel length 450 mm

Rifling length 406 mm

Number of grooves 6

Sight length 407,5 mm

Weight without magazine 2940 g

Weight without magazine 3155 g (wood)

Magazine weight empty 185 g

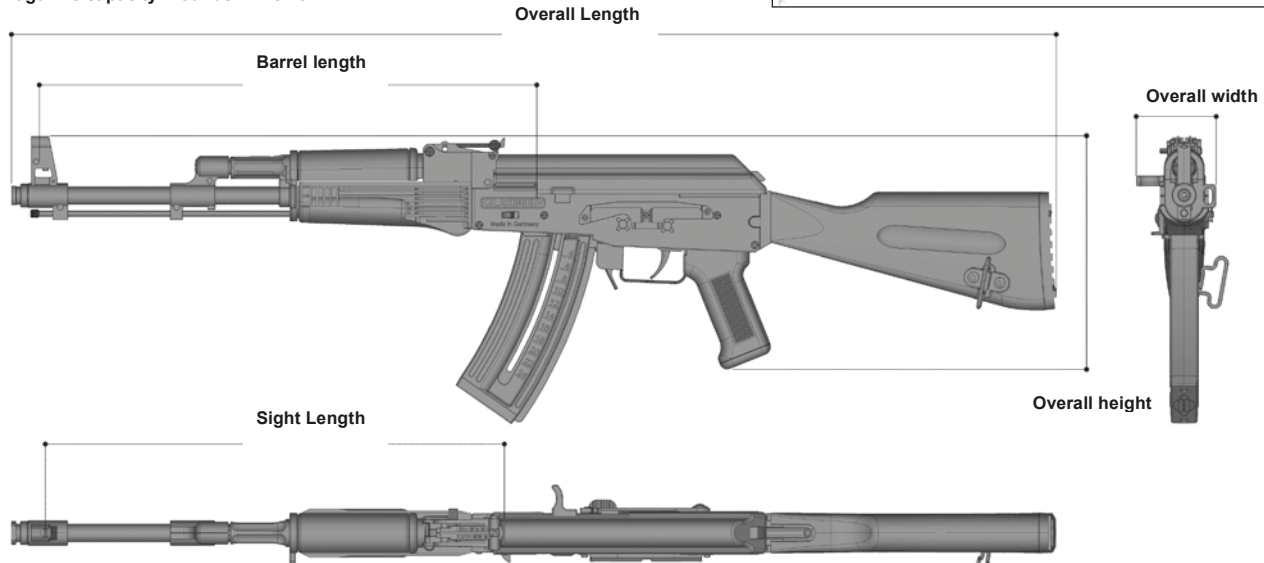
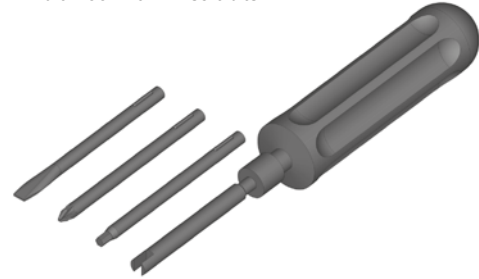
Trigger pull, approx. SA 2,5 kg 25 N

Magazine capacity / rounds 24/15/10/2

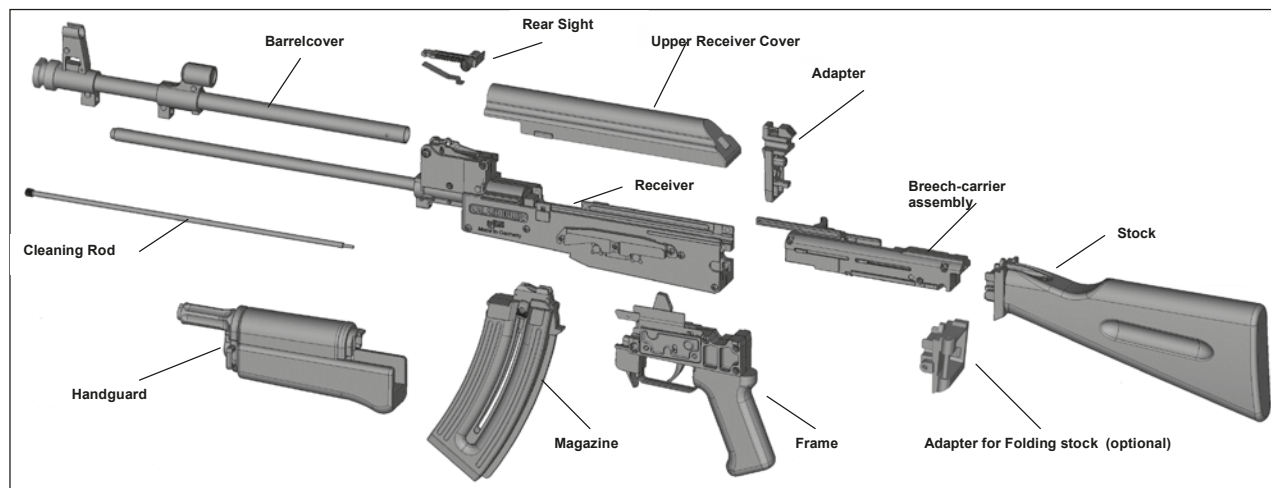
Included in the delivery are:

- 1 Rifle
- 1 Magazine
- 1 Handbook
- 1 Cleaning Rod
- 1 Multi Tool
- 1 Muzzle key
- 1 Stock
- 1 Hexagon Tool
- 2 Stock-Fixing-Screw

Multi Tool with 4 insert bits

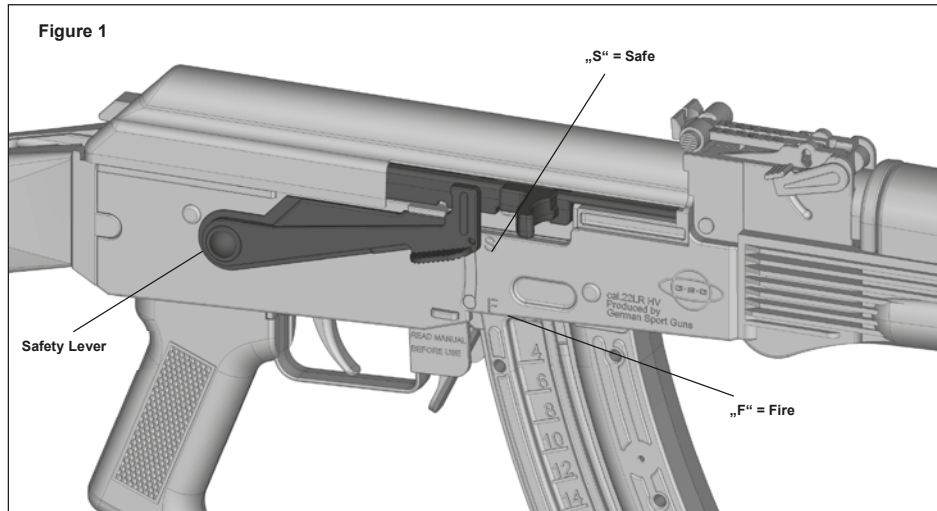


D-05: Main parts / Assembly groups of GSG-AK47:



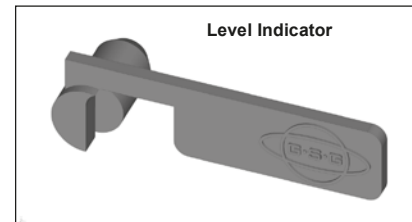
D-06: Safety mechanism:

Push the safety lever in the top position to block the trigger.
The red point on the safety lever must point at the letter „S“. (Figure 1 page 11)
„S“ = SAFE / „F“ = FIRE



D-07: Transporting the Rifle:

- For your own safety and the safety of others, always transport the gun with the “loading indicator”, unloaded, decocked and locked.
- Never carry a gun with you that has already been cocked and which has a round in the chamber.
- While carrying a gun always make sure that direction of muzzle will be under your control in case of downfall or any other slip.
- Transport the gun separately from the ammunition.
- Ensure that all applicable laws governing the transport of firearms are complied with.



D-08: Handling the gun:

D-09: General:

The gun is generally delivered with a thin, protective grease and oil coating.

D-10: Ammunition:

- For your gun, use only commercial grade ammunition in its original packaging, that corresponds with the caliber of the gun.
- The correct caliber is imprinted on the gun.
- Never use reloaded, refurbished, hand-loaded or non standard ammunition of a different caliber.
- Never use dirty, wet, corroded, bent, damaged or oiled ammunition.
- Never leave the ammunition lying unattended.

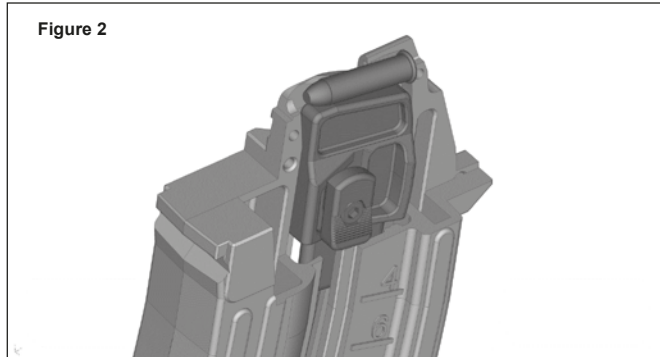
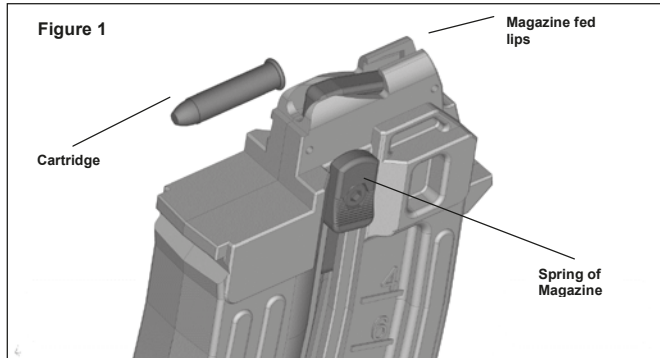
Information:

The .22 ammunition spectrum ranges from very light loads for single loader guns to sport load, utility load and on through to high speed rounds. Unfortunately, however, it is not possible to adjust a semi-automatic gun to all loads. We have therefore decided to make an adjustment to the load that have priority for use with the GSG-AK47 which are high quality utility and high-speed rounds.

D-11: Load the Magazine:

Procedure:

1. Put the cartridge on the feeder, near the magazine fed lips. (Figure 1 page 13)
2. Pull down the spring of the magazine. (Figure 2 page 13)
3. Push the bullet to the backside of the magazine (Figure 2 page 13)
4. Load only the quantity of bullets into the magazine, you want to fire. (max. 24/10/2 bullets)



D-12: Loading the gun (ready for firing):

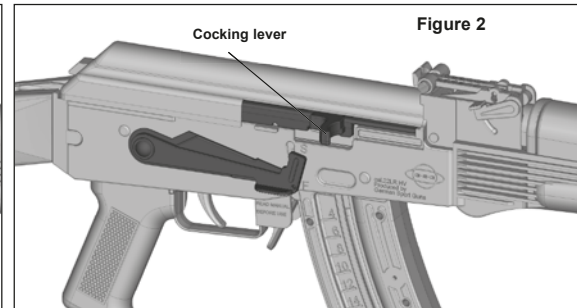
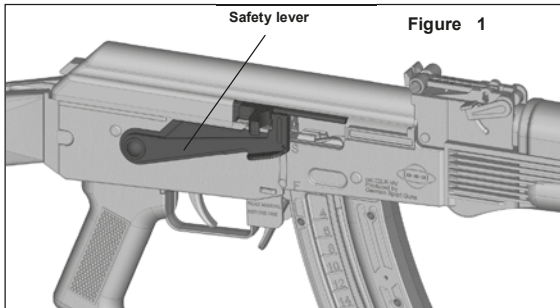
Notice:

- Never load or reload the gun in a vehicle, a room or another small area (Except a shooting range).
- Before loading always wipe off an excess grease and oil and check to see if there are any foreign objects/material in the barrel.
- Always keep the muzzle of the gun pointed in a safe direction.
- Don't put your finger on the trigger. Keep your finger outside the trigger guard.
- Load the gun by pushing in the magazine only directly before firing.
- Pull the cocking lever to load the first bullet.
- Never rely on the safety mechanism alone. Safety mechanisms are not a substitute for careful and correct handling of the gun.
- Never let a loaded gun out of your hand.

Procedure:

After the last shot the breech will be caught and the ejection port is open.

1. Point the gun in a safe direction.
2. Put the Safety Lever to the „S“ position. Now the safety lever moves in front of the cocking lever and the ejection port will be kept open. (Figure 1 page 14)
3. Remove empty magazine.
4. Insert loaded magazine.
5. Put the safety lever to the „F“ position.(Figure 2 page 14)
6. The breech will come forward and inserts first cartridge of the new loaded magazine. The ejection port is closed.(Figure 2 page 14).
The gun is now cocked and ready for firing.



D-13: Firing:

- Ensure that the target and surrounding allow shots to be fired without danger.
- Be certain when firing that your fingers, hands or other parts of the body are not in front of, above or beside the barrel or the ejection port.
- Never allow any person to stand next to you where they could be hit by ejected cartridge cases.
- When shooting, always wear ear protection and protective eye glasses. Inform other people close to you about the need to wear ear and eye protection.
- Interrupt shooting immediately and unload the gun if you suspect that a round is not inserted correctly, a case is jammed, a round may have blocked the barrel or a shot sounds or gives the sensation that it may be “weak” or unusual. Pull the cocking lever backwards and hold it in this position. At the same time put the safety lever on the „S“ position with the other hand. Now the ejection port will be kept open by the cocking lever.
- Never try to dislodge a blockage by firing another round.

Important: During firing hold the gun with the handguard and not with the magazine!
Holding the gun with the magazine can cause malfunctions!

D-14: Reloading during firing:

The breech is held in the open position after the last round.

Notice:

- Never let the gun out of your hand.
- Keep the gun in a safe direction.
- Remove the finger from the trigger.

Procedure:

1. Remove the empty magazine.
2. The ejection port must be open after the last round.
If not, please pull the cocking lever backwards again and hold it in this position. At the same time put the safety lever on „S“ position with the other hand and breech will be kept in back position.
3. Now insert full magazine.
4. Put the safety lever on „F“ position. The breech will come forward and insert new cartridge.
The gun is cocked, safety released and loaded again.

D-15: Unloading the gun
(Magazine not empty)

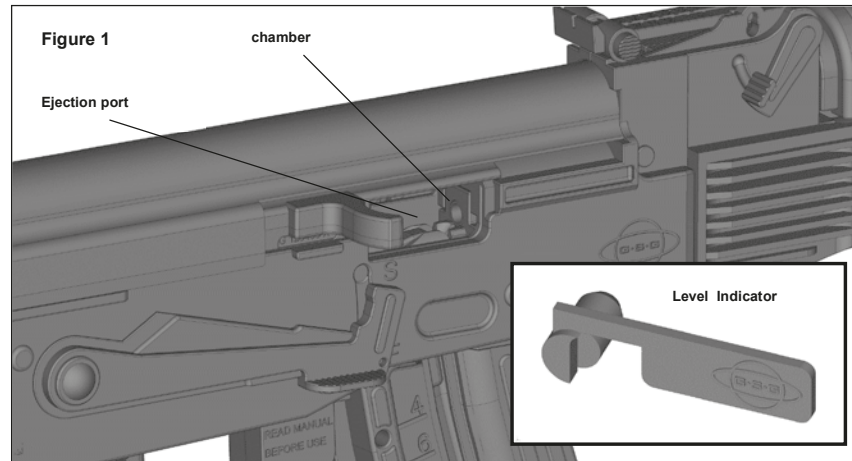
Notice:

- Never let the gun out of your hand before it is unloaded.
- When the gun is loaded; a round is in the chamber.
- Never place your hand over the ejection port.

Procedure:

1. Press the magazine release button, remove and safeguard the magazine.
2. Keep the muzzle of the gun in a safety direction.
3. Pull the cocking lever back as far as it will go although the cartridge will be ejected.
4. Hold the cocking lever in back position. At the same time put the safety lever on „S“ position with the other hand and breech will be open.
5. Ensure (visual and with the level indicator) if cartridge has been ejected and no round is in the chamber. (Figure 1 page 17)
6. Discharge the magazine.
7. Pick up the ejected round and clean the gun.

Important: The gun is unloaded but not decocked!!!



D-16: Unloading the gun
(magazine is empty)

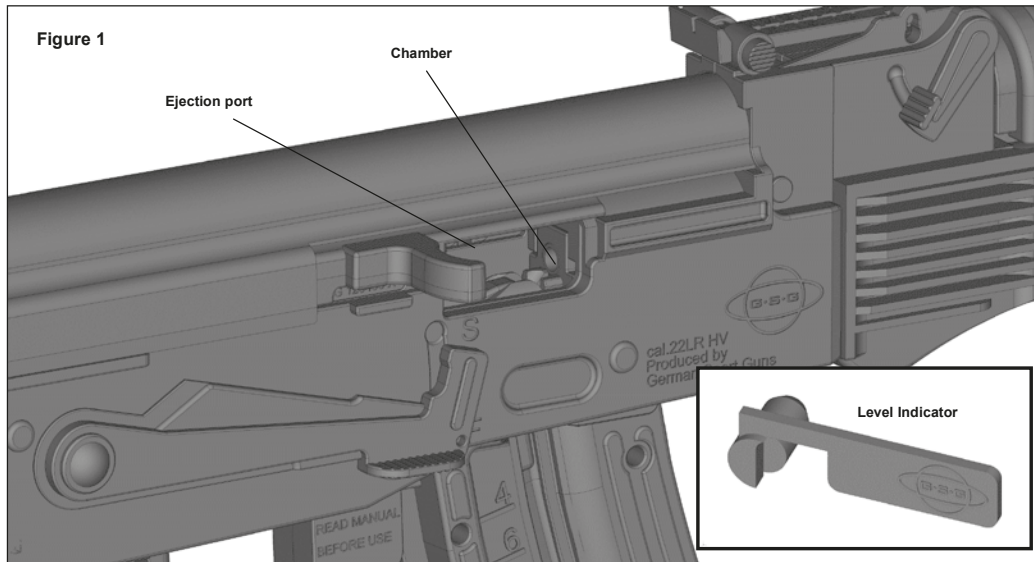
Notice:

- You must not let the gun out of your hand until the magazine has been removed and the gun is unloaded.

Procedure:

1. Keep the gun muzzle pointed in a safe direction.
2. Press the magazine release button and remove the magazine
3. The ejection port must be open after the last round.
4. Ensure (visual and with the level indicator) that no round is in the chamber. (Figure 1 page 18)

Important: The gun is unloaded but not decocked!!!



D-17: Decocking the rifle:

Notice:

- You can pull the trigger only when the empty magazine is engaged in the rifle. Check if the chamber is unloaded!

Procedure:

1. Ensure that there is no cartridge in the chamber or in the barrel.
Remove the empty magazine and put the level indicator in the chamber.
2. The safety lever must point at „F“ position.
3. Pull the cocking lever back until stop and allow to fly forward. The ejecting port is closed.
4. Insert an empty magazine.
5. Pull the trigger once. The hammer goes into its decocked position.
Turn the safety lever in position „S“ and remove the empty magazine.

Important: When you push back the cocking lever after this procedure,
the hammer goes back and the gun is ready for firing!!!

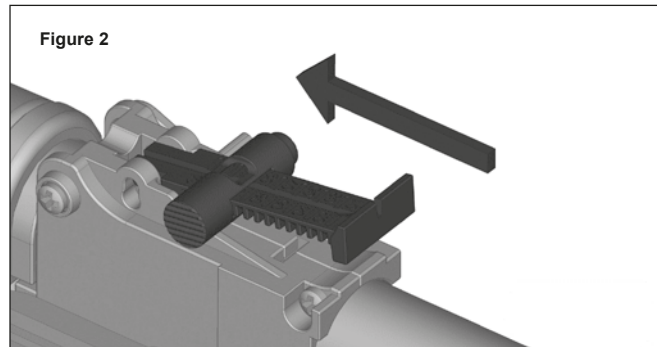
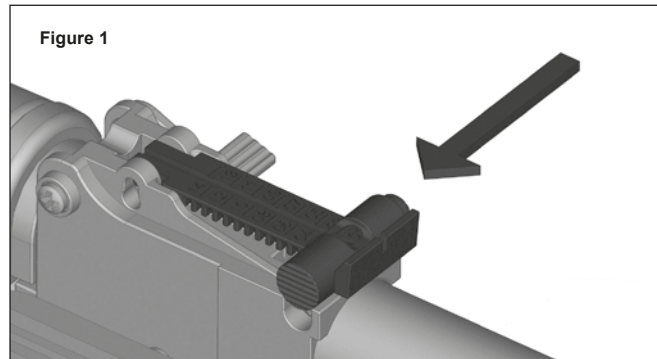
D-18: Setting the Rear Sight:

Procedure:

1. Push the button at the sight and hold it. (Figure 1 page 20)
2. Now the sight can be moved forward or backward by hand to the required position. (Figure 2 page 20)

Adjustment of sight is down, with result of low impact (Figure 1)

Adjustment of sight is high, with result of high impact (Figure 2)



D-19: Maintenance:

D-20: Disassemble:

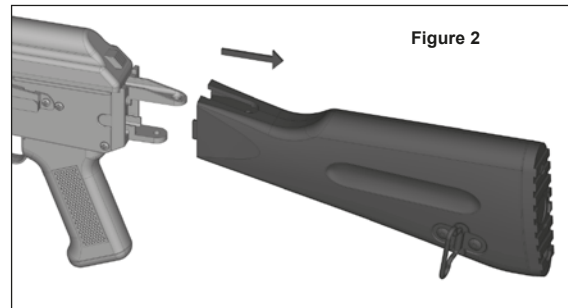
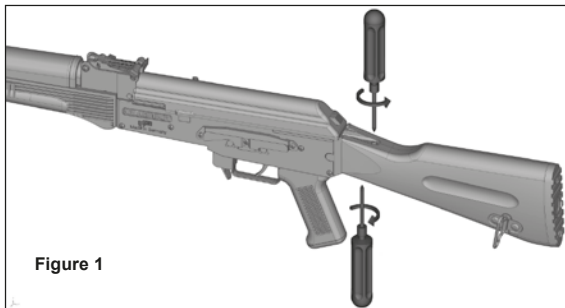
Notice:

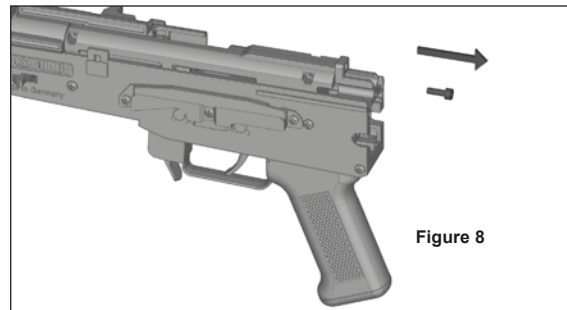
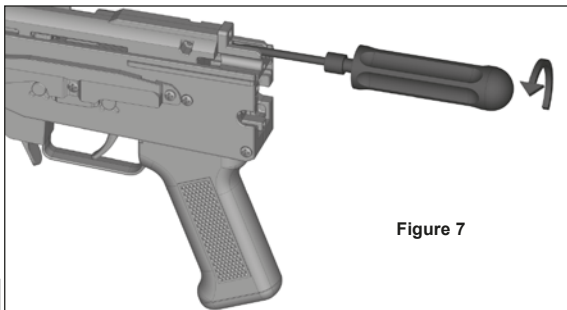
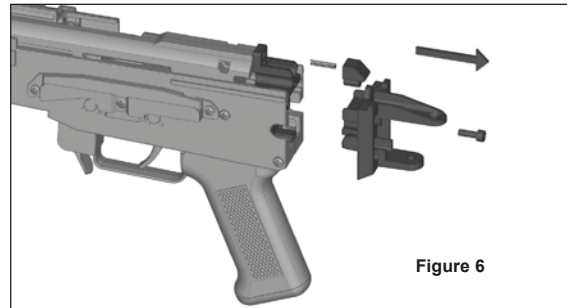
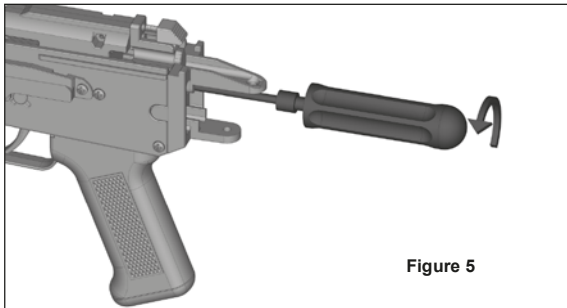
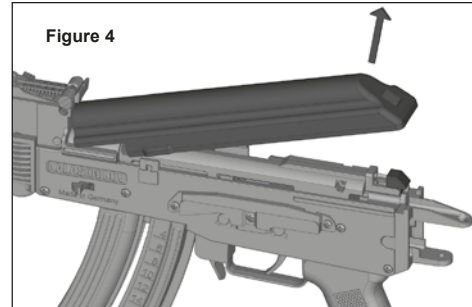
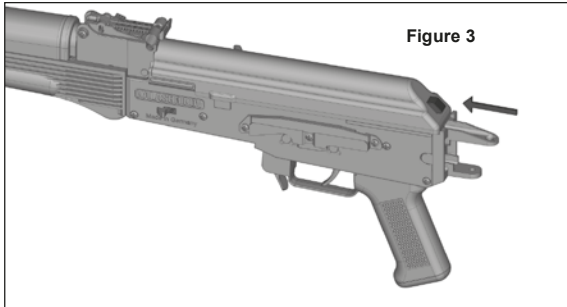
- Before disassembling, remove the magazine.
- Check, if the rifle is decocked and unloaded and that there is no round in the chamber, before you begin cleaning it.

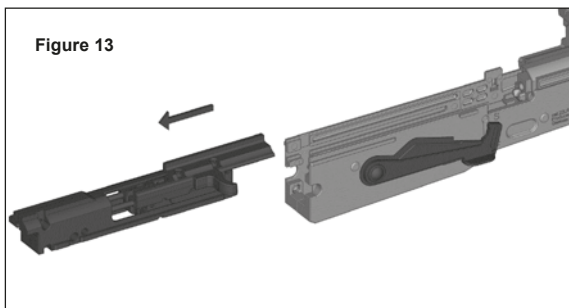
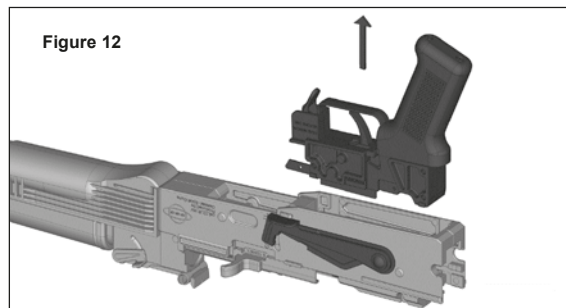
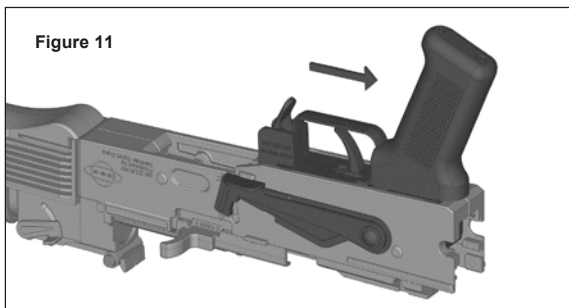
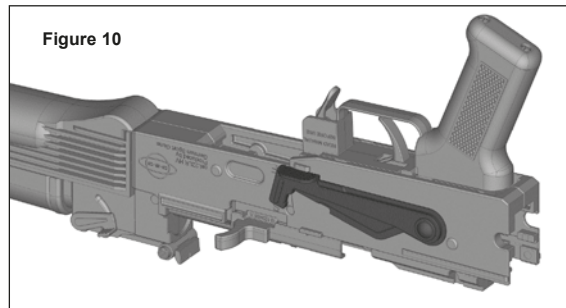
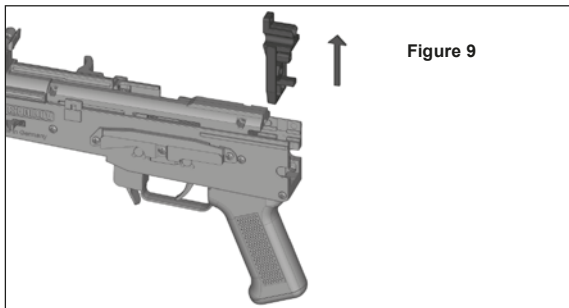
Procedure:

1. Unload and decock the gun.
2. Remove the screws of the stock with the Multi Tool. (Figure 1 and 2 page 21)
3. Push the button of the cover and remove it. (Figure 3 and 4 page 22).
4. Unscrew the inside hexagonal screw at backward adapter. Remove the adapter and button together with the spring. (Figure 5 and 6 page 22)
5. Remove the inside hexagonal screw with Multi Tool and take out the part. (Figure 7 and 8 page 22).
6. The adapter can be pulled out vertical up by hand. (Figure 9 page 23)
7. Lay down the gun upside down and ensure that the safety lever is pointing at „F“ position. (Figure 10 page 23).
8. Now the Body can be pulled to the back and removed vertical up. (Figure 11 and 12 page 23).
9. After removing the body the breech housing can be pulled out backwards out of the groove. (Figure 13 page 23).

Important: For this procedure, the gun must be uncocked (see chapter [D-17](#))







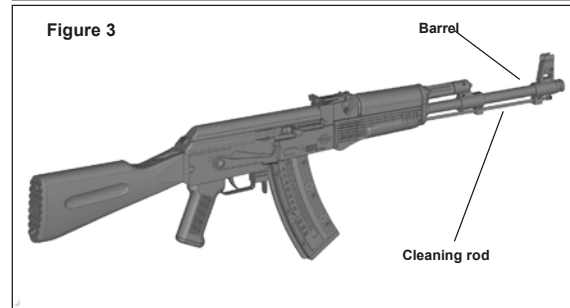
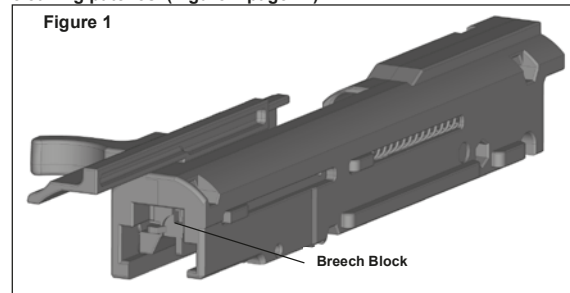
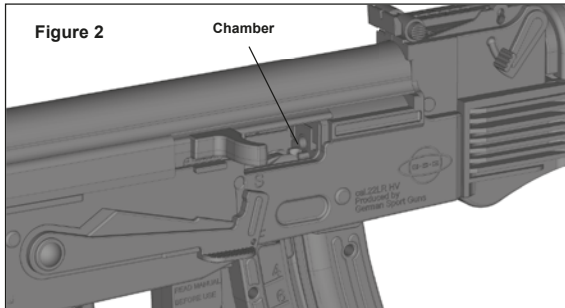
D-21: Cleaning:

Notice:

- The previously shown disassembling is sufficient for an overall cleaning.
- A further disassembling of the rifle should only be made by qualified personnel.
- Do not use a steel brush or any other hard material to clean the barrel. This could damage the flat surface of the barrel.
- Use only a suitable cleaning rod and brushes of the right caliber.
- Do not use thinner to clean the gun.

Procedure:

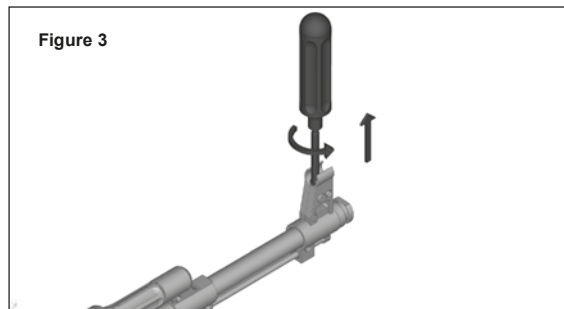
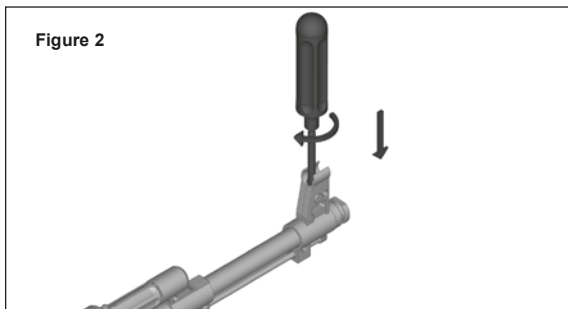
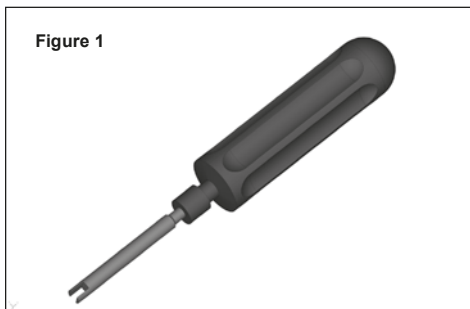
1. Use the cleaning brush to carefully remove all powder residues and dirt in the barrel and chamber. (Figure 2 page 24)
2. Wipe powder residues and oil from the barrel bore and chamber with cleaning patches. (Figure 2 page 24)
3. Remove dirt from guides of breech and from breech-block. (Figure 1 page 24).
4. Lightly oil bore of chamber.
5. Insert the cleaning rod into the barrel to remove dirt. (Figure 3 page 24).



D-22: Setting the Front Sight:

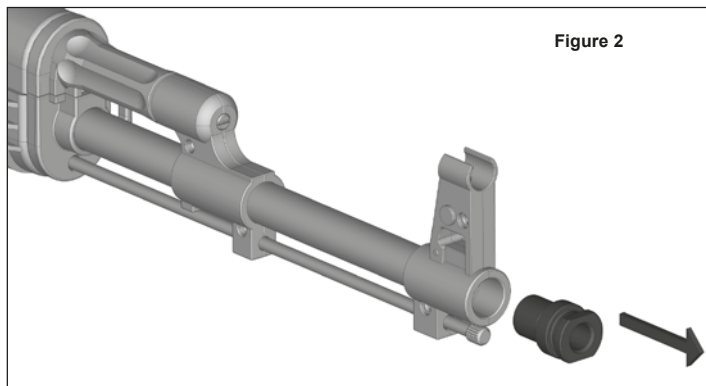
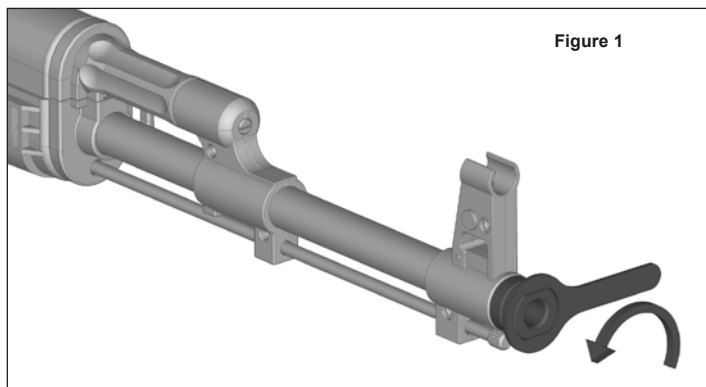
Procedure:

1. The front sight can be adjusted in height by using the special insert of Multi Tool. (Figure 1 page 25)
2. In clockwise direction: Height of front sight decreases. (with result of high impact) (Figure 2 page 25).
3. In counterclockwise direction: Height of front sight increases. (with result of low impact) (Figure 3 page 25).



D-23: Unscrewing the nozzle:

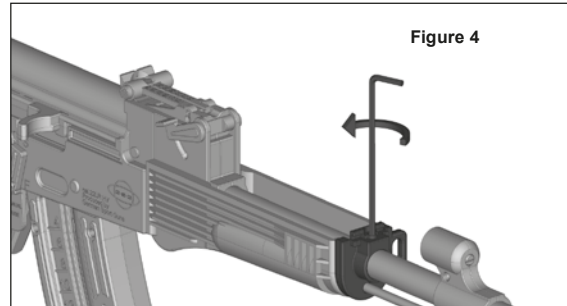
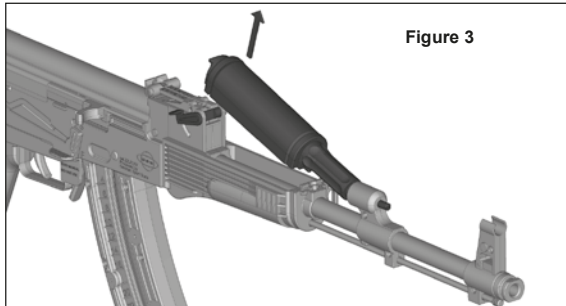
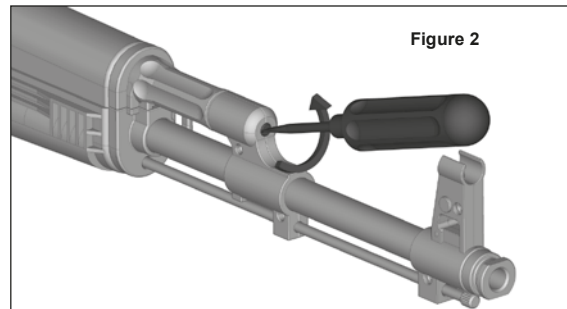
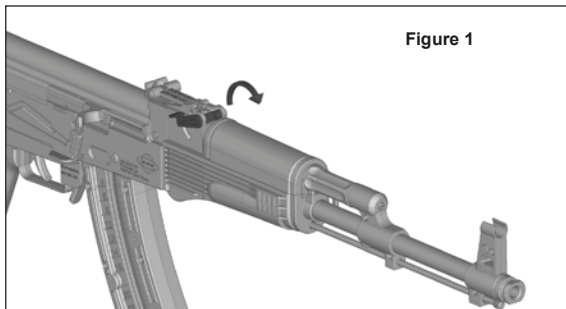
1. Unscrew the nozzle by using attached Special tool in counterclockwise direction. (Figure 1 page 26).
2. Now the nozzle can be removed and being replaced by a muzzle break for example. (Figure 2 page 26).

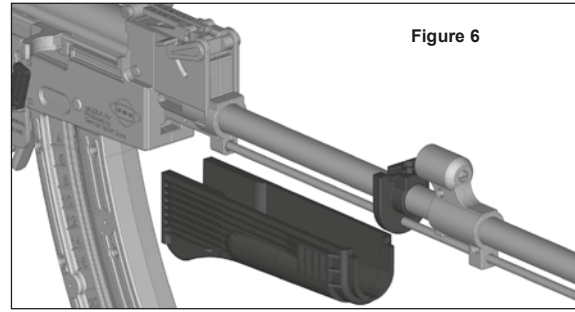
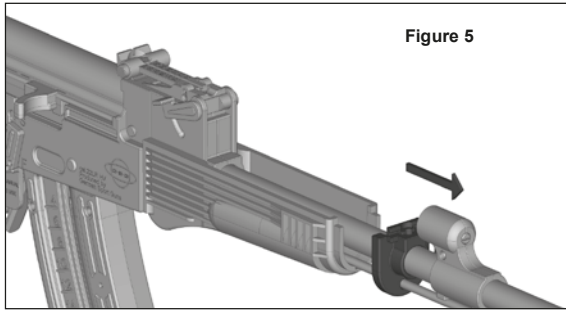


D-24: Disassembling of the Handguard:

Procedure:

- Push the lever up as shown on (Figure 1 page 27).
- Unscrew the slotted screw about 0,4 inch by using the multi tool. (Figure 2 page 27)
- Remove the handguard as shown on (Figure 3 page 27).
- Use hexagon key to unscrew stud screw at the belt holder. (Figure 4 page 27)
- Push forward the belt holder and remove the handguard. (Figure 5 and 6 page 28)





D-25: Care of the gun:

Notice:

- Always keep your gun in immaculate condition and in good working order.
- Always clean and oil your gun after use.
- Never modify or repair parts of your gun yourself.
- Have your gun checked once every 12 month by a qualified gunsmith or armourer because defects, wear, corrosion, etc. are not always visible from the outside.
- If you order spare parts without returning the gun, you are responsible for ordering the correct part and its correct fitting by a qualified gunmaker or armourer.

D-26: Trouble shooting, fault removal:

Gun maintenance (cleaning and inspection) according to the instructions can prevent malfunctions. Should, nevertheless, a malfunction occur during shooting, proceed as follows:

Notice:

Hold the gun pointed in the firing direction (safe direction) and keep your finger off the trigger while you carry out the operations described in the following.

Procedure:

1. Pull the cocking lever until it stops, turn the cocking lever into the notch to keep the breech open.
2. Remove and safeguard the magazine.
3. Verify visually through the ejection port that there is no bullet, round, case or foreign body in the barrel bore or chamber.
4. If a projectile is locked in the bore, strip the rifle and have the blockage removed with a suitable tool by qualified gunsmith.
5. Remove all rounds, cases or foreign bodies.
6. Clean, lubricate and assemble the rifle.
7. Have the gun inspected by a gunsmith or armourer.

D-27: Servicing:

Part / Fault	Possible cause of fault / defect	Possible fault / defect removal
Ammunition feed: No round chambered	Magazine not properly inserted or dirty.	Insert Magazine properly or replace it.
Breech: Breech does not close properly.	Gun or round dirty or too heavily greased	Strip, clean and lubricate rifle. Clean or replace ammunition.
	When Rifle still defective	Repair by manufacturer / gunmaker.
Case ejection: Spent case sticks in chamber or jams in ejection port.	Recoil insufficient because of fouling.	Strip, clean and lubricate rifle.
	Underloaded ammunition	Replace ammunition
	When Rifle still defective	Repair by manufacturer / gunmaker.
Misfire: Hammer strikes, but no discharge	Firing pin sticking in its guide	Strip, clean and lubricate rifle. Have gun checked by armourer.
	Defective ammunition	Manually cycle slide to chamber new round.
	When Rifle still defective	Repair by manufacturer / gunmaker.

D-28: Safekeeping and storage of the gun:

Warning:

- Always store your gun unloaded and in cleaned condition.
- Store your gun separately from its ammunition and under lock and key in a gun safe corresponding to individual laws of your country.
- The gun and ammunition must not be accessible to children and other inexperienced or unauthorized persons.

D-29: Shipping the gun:

Warning:

Familiarize yourself fully with local legislation governing the shipping and transportation of firearms.

Procedure:

1. Check the gun to ensure that it is unloaded and decocked.
2. Pack the gun well (if possible in its original packaging) to prevent damage in transit.
3. To prevent the gun being recognized as such during shipping, rap the original packaging in a second outer layer
4. Do not include accessories.
Enclose a letter stating the following:
 - your full name
 - your full address (mention street, not P.O. Box)
 - your daytime telephone number
 - detailed description of the problem encountered or the service work to be performed.
5. Send the gun properly insured and carriage-paid (Packages without correct postage will not be accepted) to:
6. the sales outlet from which you purchased the gun.
 - the GSG agent (importer) for your country.

D-30: Accessories:

01. Magazine 24 Rounds	(Art.Nr.: 407.00.03)
02. Magazine 15 Rounds	(Art.Nr.: 407.00.04)
03. Magazine 10 Rounds	(Art.Nr.: 407.00.05)
04. Folding Stock	(Art.Nr.: 202716)
05. Retractable Stock	(Art.Nr.: 202717)
06. Tactical RIS Handguard Set	(Art.Nr.: 202713)
07. Tactical RAS Handguard	(Art.Nr.: 202714)
08. Metal Scope Mount Basis	(Art.Nr.: 202710)
09. Tactical Mount AK	(Art.Nr.: 202711)
10. Folding ForeGrip for Weaver Rail	(Art.Nr.: 202715)
11. Laser Adapter GSG-AK47	(Art.Nr.: 202265)
12. Flashlight Adapter GSG-AK47	(Art.Nr.: 202266)
13. Flashhider	(Art.Nr.: 407.00.07)
14. Magazinecoupler	(Art.Nr.: 407.00.08)
15. Upgrade Kit Wood	(Art.Nr.: 202712)
16. LED Weaponlight with integrated Laser	(Art.Nr.: 202782)

D-31: Disposal:

- Strictly observe any current national legislation governing the disposal of handguns.
- When shipping the gun due to above mentioned national legislation is allowed, we suggest to send gun for disposal to address mentioned under “Shipping the gun”.
- Follow instructions of chapter „shipping the gun“.

D-32: Spare Part List (find under www.gsg-ak47.com)

Necessary information for ordering spare parts:

- Type of gun (caliber, Model)
- Weapon number
- Description

