



**1911 PISTOL
OWNER'S
MANUAL**

IMPORTANT!

This manual contains operating, care, and maintenance instructions. To assure safe operation, any user of this firearm must read and understand this manual before using the firearm. Failure to follow these instructions and heed the warnings in this manual can cause property damage, personal injury, and/or death.

This manual should always accompany this firearm, and be transferred with it upon change of ownership.

WARNING! Keep this firearm out of the reach of children, unauthorized individuals, and others unfamiliar with the safe handling of firearms.

TABLE OF CONTENTS

LIABILITY DISCLAIMER	3
KNOW YOUR DDA 1911 PISTOL	5
SAFE HANDLING PROCEDURES	6
INSPECTING YOUR PISTOL	11
SAFETY FEATURES	12
AMMUNITION	18
OPERATING YOUR PISTOL	19
DISASSEMBLY AND CLEANING (DD425 & DD500)	25
REASSEMBLY (DD425 & DD500)	32
DISASSEMBLY AND CLEANING (DD350)	34
REASSEMBLY (DD350)	36
DEVIL DOG ARMS WARRANTY	39
DDA 1911 EXPLODED VIEW & PARTS LIST	41
FIREARM OWNERSHIP RECORD	43

MODEL 1911 PISTOL

Thank You for selecting Devil Dog Arms

Congratulations on the purchase of your
Devil Dog Arms 1911 Style Pistol.

We are shooters and firearm enthusiasts and understand what it takes to manufacture high quality, 100% American- made firearms. We also understand what that means to you, our customer. Our pistols are designed, manufactured and tested with your complete satisfaction in mind. With proper use, care and regular maintenance, you can expect your Devil Dog Arms pistol to provide you with a lifetime of enjoyable, dependable use.

This manual is designed to be a resource to assist with general knowledge of your pistol as well as explain the safe operation, care, and maintenance needed to ensure years of proper use and reliable function. Please ensure that you read this manual before using the firearm, additionally it is imperative that all users read this manual before attempting to use the pistol for the first time. Failure to follow these instructions and the warnings found throughout this manual can cause property damage, personal injury, and/or death. Keep this manual with your firearm, and transfer it upon any change of ownership.

WARNING! Read and make sure you fully understand these instructions and warnings before using the firearm

Failure to follow these instructions and warnings may result in serious injury or death to you and others.

LIABILITY DISCLAIMER

DEVIL DOG ARMS, LLC WILL NOT BE RESPONSIBLE FOR INJURY, DEATH, OR PROPERTY DAMAGE RESULTING FROM EITHER INTENTIONAL OR UNINTENTIONAL DISCHARGE OF THIS FIREARM.

DEVIL DOG ARMS, LLC WILL NOT BE RESPONSIBLE FOR THIS FIREARM'S FUNCTION WHEN USED FOR PURPOSES OR SUBJECTED TO TREATMENT FOR WHICH IT WAS NOT DESIGNED.

DEVIL DOG ARMS, LLC WILL NOT HONOR CLAIMS INVOLVING THIS FIREARM WHICH RESULTS FROM CARELESS OR IMPROPER HANDLING, UNAPPROVED ALTERATION OR PARTS REPLACEMENT, CORROSION, NEGLIGENCE, THE USE OF INCORRECT CALIBER AMMUNITION, THE USE OF AMMUNITION OTHER THAN AN ORIGINAL HIGH GRADE COMMERCIALY MANUFACTURED AMMUNITION IN GOOD CONDITION, OR ANY COMBINATION THEREOF.

DEVIL DOG ARMS, LLC WILL NOT ACKNOWLEDGE CLAIMS INVOLVING THIS FIREARM FOR ANY REASON OR CAUSE WHEN SUCH CLAIMS ARE MADE BY THE SECOND OR SUBSEQUENT OWNER, OR ANY OTHER PERSON OR ORGANIZATION.

BEFORE THIS FIREARM LEFT DEVIL DOG ARMS, LLC; IT WAS CAREFULLY INSPECTED, TESTED AND PACKAGED.

DEVIL DOG ARMS, LLC CANNOT BE RESPONSIBLE FOR PRODUCT HANDLING AFTER IT LEAVES THE FACTORY, THEREFORE, PLEASE EXAMINE THE FIREARM CAREFULLY AT THE TIME OF PURCHASE TO ENSURE THAT IT IS UNLOADED AND UNDAMAGED. THIS IS YOUR RESPONSIBILITY. THE DEALER CAN ASSIST YOU IN MAKING THIS EXAMINATION AND ANSWER ANY FURTHER QUESTIONS YOU MAY HAVE. IF YOU HAVE SPECIFIC QUESTIONS CONCERNING THE STATE OF THE FIREARM WHEN IT LEFT THE FACTORY, CALL DEVIL DOG ARMS, LLC IMMEDIATELY.

KEEP THIS INSTRUCTION MANUAL WITH YOUR FIREARM AT ALL TIMES. IT SHOULD BE TRANSFERRED WITH THE FIREARM UPON CHANGE OF OWNERSHIP. WE HOPE YOU ENJOY YOUR DEVIL DOG ARMS FIREARM SAFELY. READ THIS MANUAL AND FOLLOW THE INSTRUCTIONS FOR YOUR SAFETY AND THE SAFETY OF OTHERS.

KNOW YOUR DDA 1911 PISTOL

Please take the time to familiarize yourself with various items and features found on your new pistol. Figure 1 illustrates the main parts of the Devil Dog Arms 1911 Pistol and will help you to understand the various instructions found in this owner's manual. **See Figure 1.**

Always keep this firearm out of the reach of children, unauthorized individuals, and anyone who is unfamiliar with the safe, responsible handling of firearms.

This SAFETY & INSTRUCTION MANUAL must always be kept with your firearm and must be transferred with your firearm upon any change of ownership or when presented to another individual.

Your Devil Dog Arms 1911 is a precision manufactured, recoil-operated, auto-loading pistol which is capable of firing successive rounds with each pull of the trigger.



FIGURE 1

SAFE HANDLING PROCEDURES

- 1.** Always keep the muzzle of the firearm pointed in a safe direction, and away from all humans, including yourself.
- 2.** Handle every firearm as if it were loaded.
- 3.** Always, visually and physically, inspect the firearm to ensure it is unloaded.
- 4.** Always keep and carry your firearm empty, with the hammer forward, except when you are ready to shoot.
- 5.** Do not place the hammer or allow the hammer to remain in the half-cock notch. This is not a safe carrying position and any effort to engage the hammer in the half-cock notch may result in the hammer perching on the lip of the half-cock notch. This is extremely dangerous. If the hammer is in this position it could fall forward and discharge the pistol, thereby risking injury, death or property damage.
- 6.** Do not drink alcoholic beverages or take drugs before, or during, any shooting activity. Your vision and judgment may be seriously impaired, making your firearm handling unsafe. If you are taking medication, seek a doctor's advice to assure that you are fit to shoot and handle firearms safely.
- 7.** Before beginning target practice, make sure your backstop is acceptable to stop and contain bullets. This is to ensure that you do not hit anything outside the shooting area.
- 8.** To reduce the chances of an accident, place a knowledgeable and responsible person in charge to maintain safety control when a group is firing on a range. Always obey his or her commands.

- 9.** Always wear and encourage others to wear ear protection when shooting, particularly on a range. Long-term, permanent hearing loss could be the result without hearing protection.
- 10.** Always wear and encourage others to wear protective shooting glasses to protect the eyes.
- 11.** Always make sure your firearm is clean. The barrel bore, chamber and action should be clean and free of obstructions. Clean a fouled pistol immediately so that it will function correctly and safely.
- 12.** Use only clean, dry, original, high grade commercially manufactured ammunition in good condition, appropriate to the caliber of your firearm.
- 13.** Always carry your firearm open and empty while on a range until preparing to fire. Keep it pointed toward the backstop when loading, firing and unloading to eliminate the risk of injury, death or property damage.
- 14.** Always keep yourself and others clear of the ejection port. Injuries can occur because spent cartridges are ejected with significant force, and they are hot. The ejection port must be unobstructed to ensure the safe ejection of live rounds. Never place your fingers in the ejection port, they could be burned by hot metal and/or powder, or injured by the slide moving forward.
- 15.** Never put your finger inside the trigger guard or squeeze the trigger until you are aiming at a target and ready to shoot. This will prevent you from firing the pistol accidentally.

16. Always be sure of your target and the area behind it before you pull the trigger. A bullet can travel through or past your target up to 1 1/2 miles before it stops!

17. If your firearm fails to fire, keep it pointed towards the target or a safe open area and wait at least 30 seconds. If it is a hang fire (slow ignition) the round will fire within 30 seconds. Although it is very rare, you need to be aware of and prepared for this possibility. If the round does not fire, remove the magazine, eject the round and examine the primer. If the firing pin indent is light, off center, or nonexistent, have the firearm examined by a professional gunsmith. If the firing pin indent on the primer appears normal, assume faulty ammunition, separate the misfired round from other live ammunition and empty cases, reload and continue firing. Dispose of misfired rounds in accordance with the ammunition manufacturer's instructions.

18. Never use your firearm if it fails to function properly. Never force a jammed action because a round may discharge causing serious injury or death, and severe damage to your firearm. Before each shooting session, and before loading, give the firearm a quick safety check and visual inspection. If you find something that seems incorrect, do not load or fire. Ask a professional gunsmith for help, or call Devil Dog Arms, LLC for specific questions.

19. Never leave your firearm cocked. This position is extremely dangerous and the firearm could be easily accidentally discharged, causing injury, death or property damage.

20. Never shoot at a hard surface such as a rock or liquid surface such as water. The bullet could ricochet, hitting you, another person or unidentified object, causing injury, death or property damage.

- 21.** Never fire your firearm near an animal that is not trained to accept the noise. It could startle the animal, causing injury or an accident.
- 22.** Horseplay should be forbidden while holding a pistol. It could accidentally discharge, causing injury, death or property damage.
- 23.** Never follow a companion with your firearm cocked ready to fire, out of its holster, or with the hammer in any position other than forward on an empty chamber. When hunting, hold your pistol so that you can always control the direction of the muzzle, in case of an accidental discharge.
- 24.** Never leave a loaded firearm unattended. Someone may accidentally fire it, causing injury, death or property damage.
- 25.** Always make sure the firearm is unloaded before cleaning, storing, or traveling. The magazine should be removed with the slide locked open before laying it down or handing it to another person, so that it cannot be fired accidentally.
- 26.** Always store your firearm and ammunition in separate, locked containers, out of the reach and sight of children, or anyone else who should not handle the firearm.
- 27.** Always instruct children to respect firearms. When teaching children to shoot, teach them to treat and use the pistol properly and responsibly first. Always supervise children closely and stress safety to prevent injury, death and property damage.

Many of the most important parts of this firearm are discussed as follows:

Serial Number

The serial number and model number are located on the right side of the receiver below the slide. See Figure 2.



FIGURE 2

Specifications & Caliber

Specifications for the correct caliber and type of ammunition to use in your pistol are located on the top right of the pistol, through the ejection port, on the barrel when the slide is in the fully forward position. See Figure 3.



FIGURE 3

WARNING! Only use the cartridge type and caliber of the ammunition specified for your firearm, as designated on the barrel. Refer to the “AMMUNITIONS” section on page 18 of this manual for specific information on the type of ammunition you can use with this firearm.

WARNING! DO NOT ALLOW THE SLIDE TO SLAM FORWARD. Repeatedly allowing the slide to slam closed on an empty chamber may cause premature wear and could damage the sear surface which may cause an unsafe condition.

INSPECTING YOUR PISTOL

WARNING! Keep the muzzle pointed in a safe direction and ensure that the pistol is unloaded and clear of any ammunition before inspecting, cleaning, disassembling or assembling any part of your firearm,

1. Press the magazine release in to eject the magazine as in **Figure 4**. If the magazine does not eject from the magazine well, press and hold the magazine release while gently pulling on the magazine bottom plate.



FIGURE 4

2. Pull the slide fully rearward and hold it in that position, then press the slide stop upward and lock the slide in the rearward position as detailed in **Figure 5**.



FIGURE 5

3. Look through the ejection port into the chamber of the pistol in order to ensure that there is no cartridge or obstruction in the chamber.

See Figure 6



FIGURE 6

4. Allow the slide to gently return forward on an empty chamber by pulling rearward on the slide, to disengage the slide stop, and then let the slide move forward under control. You may need to apply downward pressure to the slide stop if it does not disengage when pulling the slide to the rear.

WARNING! DO NOT ALLOW THE SLIDE TO SLAM FORWARD. Repeatedly allowing the slide to slam closed on an empty chamber may cause premature wear and could damage the seal surface which may cause an unsafe condition.

SAFETY FEATURES

WARNING! A safety mechanism is not a substitute for following the rules of safe firearm handling.

The safety features of the Devil Dog Arms 1911 provide protection against accidental or unintentional discharge under normal usage when properly engaged and in good working order.

THUMB SAFETY

The thumb safety prevents the slide, trigger, and hammer from any movement when engaged in the “SAFETY ON” or “SAFE” position. The thumb safety cannot be engaged unless the hammer is in the fully cocked position. To properly activate the thumb safety follow these two steps:

1. Cock the hammer by moving it to the full rearward position.
2. Push the thumb safety located at the rear of the receiver up until it stops and is fully engaged in the safety engagement notch of the slide. See **Figure 7**.



FIGURE 7

WARNING! Never touch the trigger while operating the thumb safety. Your fingers and all other objects should be kept outside of the trigger guard.

Before handling or inspecting the firearm, always fully engage the thumb safety when the slide is in the forward position and the hammer is cocked.

When the thumb safety is disengaged the firearm is ready to fire. Disengage the thumb safety by pushing downward on the thumb safety until it stops. **See Figure 8.**



FIGURE 8

WARNING! Never pull the trigger when the thumb safety mechanism is “ON” or in the “SAFE” position.

Do not touch the trigger while operating the thumb safety. Keep your fingers and all other objects outside the trigger guard and away from the trigger until you are actually ready to fire.

REMINDER! Even when the safety is engaged in the “ON” or in the “SAFE” position, careless handling could cause the firearm to discharge.

GRIP SAFETY

Your Devil Dog Arms Model 1911 is equipped with a Grip Safety located in the rear of the grip just below the hammer. This safety feature prevents the rearward movement of the trigger unless the Grip Safety is depressed by the user with a firm and positive grip. **See Figure 9.**



FIGURE 9

In addition to the thumb safety and Grip Safety features, your Devil Dog Arms Model 1911 pistol is also equipped with other internal features that all work without direct input from the user, and provide additional protection against accidental or unintentional discharge under normal use.

It is imperative that your firearm is kept clean and in good working order to ensure these additional safety features function correctly.

WARNING! The firearm will FIRE when the trigger is pulled, the thumb safety is in the “OFF” or “FIRE” position, and the grip safety is fully depressed. NEVER alter, bypass, or make ANY of these features inoperable.

THREE POSITION HAMMER

The hammer of your Devil Dog Arms Model 1911 has three (3) positions as illustrated below:

1. Fully forward or “At Rest” position, the face of the hammer is resting up against the firing pin stop. **See Figure 10.**



FIGURE 10

2. Half cocked position is the first “click” point and prevents the hammer from falling fully forward unintentionally, such as in the event your thumb should slip off the hammer during manual cocking, or in the event of damage to an internal component. **See Figure 11.**



FIGURE 11

3. Fully rearward or “Cocked” position is when the hammer is pulled to the second “click” point. This is the fire position. **See Figure 12.**



FIGURE 12

WARNING! NEVER use the HALF COCKED hammer position as a manual safety device. NEVER carry the firearm with the hammer in this position.



FIGURE 13

THE LOCKING DEVICE

Your Devil Dog Arms Model 1911 was originally sold with a key-operated locking device. This device is intended to assist the owner in protecting the firearm from unauthorized use.

See Figure 13.

The device is intended to be used when storing your firearm. The firearm should always be stored completely unloaded.

REMINDER! Always treat every firearm as if it were loaded and will fire if the trigger is pulled.

WARNING! The locking device does not eliminate the need for the safe handling or storage of your firearm.

The instructions on the proper installation of the locking device are located with the lock packaging. Please study and follow them carefully. Never leave your keys or any ammunition with your firearm.

THE MAGAZINE CATCH

Your Devil Dog Arms Model 1911 is equipped with a magazine catch that retains the magazine and is used to release the magazine from the firearm. The magazine catch is located on the left side of the pistol near the trigger. **See Figure 14.**



FIGURE 14

Release the magazine by pressing in on the magazine catch from the left side. Hold one hand under the pistol to catch the magazine as it is ejected.

Your Devil Dog Arms 1911 has been designed to be used with ammunition of a specific caliber and specific type.

WARNING! Never place your finger on the trigger unless you are ready to discharge the firearm. Pulling the trigger may discharge the firearm. Treat every firearm as if it were loaded and will fire if the trigger is pulled.

WARNING! Never attempt to adjust, change or modify any internal component of your firearm unless specifically instructed to do so in this manual.

Improper manipulation of any of the internal components can adversely affect the safety and reliability of your firearm, resulting in serious injury or death.

AMMUNITION

In order for this firearm to operate at peak performance and safety, use only ammunition that meets industry standards and is appropriate in type and caliber for this firearm:

45 ACP

- 45 AUTO (Automatic)
- 230 GR (Grains)
- FMJ (Full Metal Jacket)
- 835 FPS (feet per second)

9mm

- 9mm Luger
- 115 GR (Grains)
- FMJ (Full Metal Jacket)
- 1,135 FPS (feet per second)

Refer to the “SPECIFICATIONS & CALIBER” section on Page10 Figure 3 of this manual for detailed information regarding ammunition type for your firearm.

Your firearm has been optimized for the ammunition type listed above. Devil Dog Arms will NOT be responsible for non specified ammunition types of the correct caliber being used in this firearm. The user must thoroughly test, verify, and ensure that the correct ammunition functions properly with their 1911 firearm.

Use ONLY commercially manufactured ammunition which has been verified as being in strict compliance with the specifications established by the Sporting Arms and Ammunition Manufacturers' Institute (SAAMI.) Contact your ammunition supplier with any questions regarding such compliance.

Devil Dog Arms will NOT be responsible for malfunctions encountered while using any ammunition other than what is

OPERATING YOUR PISTOL

WARNING! Never use non-standard, reloaded or “handloaded” ammunition with this firearm. Firing any ammunition not specified may result in your firearm to fail and cause serious injury or death.

Do not apply any type of lubricant, oil or grease to the ammunition cartridge as doing so will affect the safe functioning of the firearm.

LOADING THE MAGAZINE

The magazine of your Devil Dog Arms Model 1911 will accept up to eight (8) cartridges of 45 ACP, ten (10) cartridges for 9mm. DO NOT attempt to exceed the capacity of the magazine. Follow these steps to load your firearm’s magazine:

1. Check the cartridge to make sure it is the correct caliber before loading it into the magazine.

2. Insert each cartridge into the magazine one at a time by sliding the cartridge under the magazine’s feed lip until the base or rear of the cartridge is against the rear wall of the magazine. **See Figure 15.**

3. After the final cartridge has been inserted into the magazine, you are ready to load the full magazine into the magazine well of your firearm. **See Figure 16.**



FIGURE 15



FIGURE 16

WARNING! Always make sure the muzzle is pointing in a safe direction before inserting the loaded magazine into the magazine well of the firearm.

4. Hold the pistol in one hand, with your finger off the trigger and outside of the trigger guard, push the magazine into the magazine well of your firearm. Make sure that it is fully inserted into the magazine well and secured in position by the magazine catch.

WARNING! Never use excessive force to insert a loaded magazine into the firearm's magazine well with the slide locked open. Doing so can cause the slide to move forward and chamber a cartridge making the pistol ready to fire.

LOADING THE CHAMBER

The chamber of your Devil Dog Arms Model 1911 is loaded using the following steps:

1. Disengage the thumb safety by pressing downward until it stops.

See Figure 17.

2. Holding the firearm with a positive grip and the muzzle pointed in a safe direction, and with your finger off of the trigger and outside of the trigger guard, pull the slide rearward with your support hand.

See Figure 18.



FIGURE 17



FIGURE 18

3. Once the slide is in the full rearward position, release the slide and allow it to move rapidly under the recoil spring force to the forward position. Do not manually push the slide forward.

4. Engage the thumb safety by moving the thumb safety fully upward into the slide's safety engagement notch.

See Figure 19.

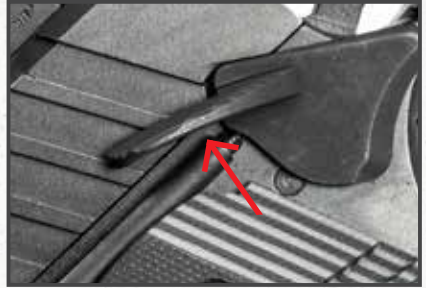


FIGURE 19

WARNING! The firearm is now loaded, cocked and ready to fire. Always keep the thumb safety in the “on” position until you are ready to discharge the firearm. Always keep the firearm pointed in a safe direction.

DISCHARGING THE FIREARM

1. Hold your firearm securely with both hands, one hand around the grip and the other hand completing the grip as pictured.

See Figure 20.

2. Point the muzzle of the firearm only where you want to shoot. Never point at an unintended target.



FIGURE 20

WARNING! Always wear approved eye and hearing protection when using any firearm.

3. Disengage the thumb safety with your thumb by moving the thumb safety to the “OFF” or “FIRE” position.
4. When you are sure it is safe to shoot and you have your sights aligned on the target, press the trigger by applying constant even pressure to the rear.
5. Your firearm will fire each time the trigger is pressed and load a new cartridge into the chamber until all ammunition in your magazine has been expended.
6. When all ammunition has been expended, the slide stop will hold the slide in the open position.
7. ALWAYS verify your firearm is empty. Look in the chamber, the ejection port, and magazine to make sure the firearm is completely unloaded. **See Figure 6.**

WARNING! Bullets can ricochet off many surfaces. Example: rocks, water, etc. Ricocheting bullets travel in unpredictable directions with considerable velocity capable of causing injury or death.

CLEARING MISFIRES

Occasionally a cartridge may fail to fire. If this happens it is necessary to manually clear the cartridge from the chamber. To safely do this, use the procedure below.

1. KEEP the firearm pointed in a safe direction the entire time you are clearing a misfire.
2. Sometimes there may be a delay in the cartridge firing when a misfire occurs. To ensure the bullet doesn't fire when you are clearing a misfire, wait 30 seconds before you start to clear the cartridge.

3. Press the magazine release button allowing the magazine to drop from the firearm, then grab the slide and quickly pull it to the rear. This will extract and eject the unfired cartridge from the chamber of the firearm.

4. Make sure your hand does not cover the ejection port while you are pulling the slide back.

See Figure 21.

5. ALWAYS verify your firearm is empty. Look in the chamber, the ejection port, and magazine to make sure the handgun is completely unloaded.



FIGURE 21

WARNING! Do not obstruct the ejection port with your hand. Doing so can interfere with the ejection of a cartridge creating the risk of exploding an unfired cartridge and causing personal injury.

SIGHT ADJUSTMENT

WARNING! Make sure the firearm is completely unloaded and the thumb safety is engaged before attempting to adjust sights.

Your Devil Dog Arms Model 1911 pistol is equipped with a fixed front sight, only the rear sight is adjustable for windage (left or right adjustments). **To adjust, move the rear sight in the direction you wish the group to move on the target.** Loosen the set screw, then lightly tap the rear sight in the desired direction.

Caution, use only a brass or plastic drift to reduce marring. When you are finished tighten the set screw.

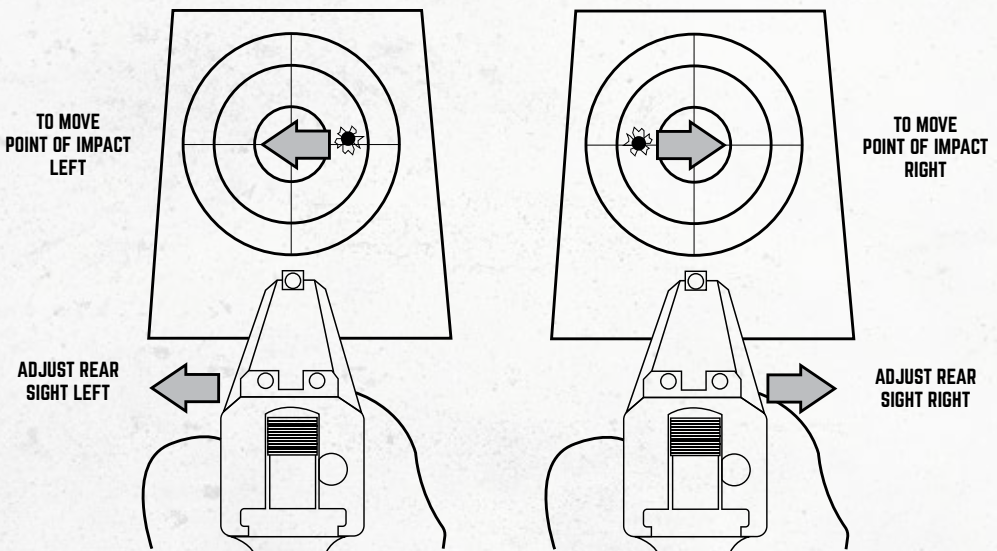
If your Devil Dog Arms Model 1911 pistol is equipped with an adjustable rear sight for both elevation (up and down) and windage (left and right), moving the rear sight in the direction you wish the group to move on the target is performed as follows:

Adjusting the elevation screw:

- Clockwise will lower the point-of-impact.
- Counterclockwise will raise the point-of-impact.

Adjusting the windage screw:

- Clockwise will move the impact point to the right.
- Counterclockwise will move the impact point to the left.



DISASSEMBLY AND CLEANING

DD425 AND DD500

CAUTION! Your firearm should not be disassembled further than what is described in this manual. Only allow further disassembly by Devil Dog Arms or a Devil Dog Arm's Authorized Repair Center.

WARNING! MAKE SURE the firearm is unloaded before cleaning. Remove the magazine, look into the ejection port and visually check the chamber and ejection port to make sure there are no cartridges in the pistol. Eye protection must be worn when cleaning or disassembling any firearm.

REMOVE THE SLIDE:

1. As always keep the muzzle of your firearm pointed in a safe direction when disassembling or cleaning your firearm.
2. Cock the hammer by pulling the hammer fully rearward.
3. Place the safety on by pushing the thumb safety up until the thumb safety locks into the safety engagement notch on the slide. See Figure 22.

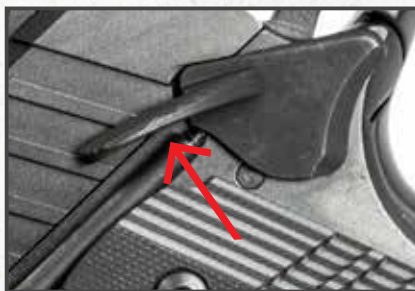


FIGURE 22

WARNING! Use extreme care when disassembling the recoil spring and plug, as the recoil spring is under tension. Wear eye protection to avoid serious personal injury.

4. Push in on the recoil spring plug just below the muzzle. Hold the plug in and rotate the barrel bushing clockwise about 1/4 turn. If needed use a barrel bushing wrench (not supplied). **See Figure 23.**



FIGURE 23

5. Release the recoil plug and recoil spring by slowly removing pressure from the recoil spring plug. The recoil spring is under tension. Use caution when removing, slowly release the tension of the recoil spring by removing the recoil spring plug. **See Figure 24.**



FIGURE 24

6. Disengage the thumb safety with your thumb by moving the thumb safety in the “OFF” or “FIRE” position.

7. Pull the slide back until the slide stop is in line with the disassembly notch. **See Figure 25.**



FIGURE 25

8. From the shooter's right side of the firearm, push in on the slide stop pin.

See Figure 26.

9. Pull the slide stop out from the shooter's left side.

10. The slide can now be removed from the frame by sliding it forward.

11. The recoil spring guide and recoil spring are removed together from the rear of the slide up over the barrel link then outward.

See Figure 27.

12. Next turn the barrel bushing counterclockwise. You can now remove the barrel bushing by pulling them out the front of the slide.

See Figure 28.

13. Move the barrel link to its forward position.

See Figure 29.

14. Remove the barrel out through the front of the slide.



FIGURE 26



FIGURE 27



FIGURE 28



FIGURE 29

CLEANING & MAINTENANCE

Your Devil Dog Arms Model 1911 pistol should not be disassembled further than what is described in this manual. Disassembly past the point in this manual must only be done at the factory or by a certified Devil Dog Arms Repair center.

WARNING! MAKE SURE the firearm is unloaded before cleaning. Remove the magazine, look into the ejection port and visually check the chamber and ejection port to make sure there are no cartridges in the pistol. Eye protection must be worn when cleaning or disassembling any firearm.

Your Devil Dog Arms Model 1911 should be cleaned using an approved, commercially available firearm cleaning kit (not included). Always follow the instructions provided with your gun cleaning kit.

WARNING! For any maintenance or service not specified in this manual you must use a Gunsmith qualified to perform service on your Devil Dog Arms firearm.

BARREL CLEANING:

1. Use the correct cleaning jag and patch to match the caliber of your firearm. Attach the patch to a cleaning rod.
2. Soak a cleaning patch with bore cleaner or a cleaning solution.
3. Push the patch through the bore from the chamber to the muzzle end. Do this multiple times and change the patch as necessary.

4. Use the correct caliber cleaning brush attached to the cleaning rod. Apply bore cleaner to brush.
5. Push the cleaning brush through the barrel multiple times.
6. Reattach the cleaning jag and patch to your cleaning rod.
7. Push the patch through the bore from the chamber to the muzzle end. Do this multiple times and change the patch as necessary. This process is complete once a new patch comes out clean.
8. Using a general firearm cleaner clean all surfaces of the barrel including its locking lugs.
9. Soak a cleaning patch with a good firearms lubricant/oil. Attach the patch to your cleaning rod and push through the barrel.
10. Attach a clean dry patch to your cleaning rod and push it through the barrel to remove excess oil.
11. Brush and wipe down the outside of the barrel to remove any residue or debris.
12. Allow to dry completely.
13. With a clean cloth apply a light coat of firearms oil to the outside of barrel and barrel link.

WARNING! After cleaning, make sure the barrel is free of obstructions.

SLIDE ASSEMBLY CLEANING:

1. Clean the outside of the slide completely with a general firearm cleaner.
2. Clean the bolt face and the extractor with a general firearm cleaner.
3. Allow to dry.
4. Clean the entire slide with firearm lubricant and wipe of excess lubrication.
5. On the outside of the slide, wipe down all surfaces with a light coat of lubricant using a clean rag.

RECEIVER ASSEMBLY CLEANING:

WARNING! Do not remove or disassemble any components on the Receiver Assembly. Cleaning and lubrication must be done with the assembly complete.

1. Begin by spraying the frame assembly with firearm safe action cleaner.
2. Wipe and brush any residue from the frame assembly.
3. Allow to air dry.
4. Lubricate the frame assembly with a quality firearms lubricant. **See Figure 30** on next page.

- Place lubrication in the specified areas in Figure 30.

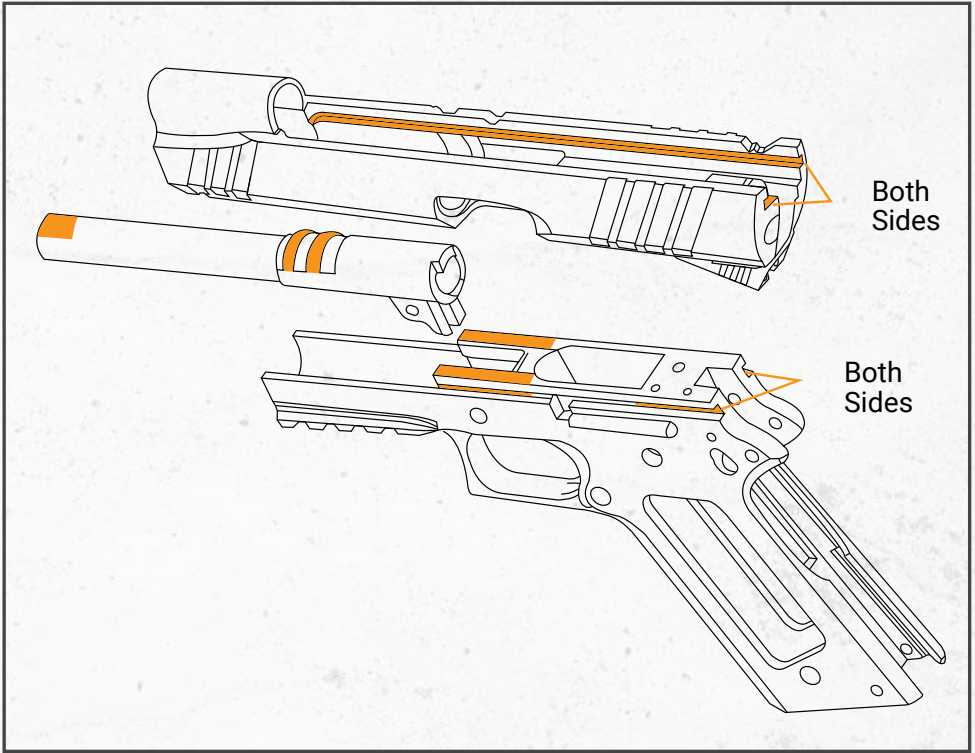


FIGURE 30

5. Lightly coat the outside of the frame with a quality firearm oil using a clean cloth.

WARNING! Only use Devil Dog Arms recommended and authorized components in Devil Dog Arms 1911 firearms. The use of any components other than Devil Dog Arms authorized components will void the warranty and may cause a serious malfunction resulting in personal injury or death.

REASSEMBLY

DD425 AND DD500

1. Hold the slide upside down in your hand as shown, push the barrel link forward and insert the barrel through the front of the slide as in **Figure 31**.



FIGURE 31

2. Place the Barrel Bushing onto the barrel and push it into the slide and lock it into place by turning clockwise.



FIGURE 32

3. Push the recoil spring and guide back through the bottom of the slide with the open end of the spring towards the front. Bend the recoil spring guide over the barrel directly in front of the barrel link. Ensure the recoil spring guide is positioned with the concave side against the barrel.

See Figure 32.

4. Place the slide onto the frame and push rearward until the barrel link hole is aligned with the slide stop hole. You will need to move the hammer to the fully cocked position.



FIGURE 33

See Figure 33.

5. Line up the disassembly notch on the slide with the rectangular cutout on the frame.

See Figure 34.



FIGURE 34

6. Push the slide stop pin into the slide stop hole. Make sure the pin passes through the barrel link. Push the slide stop past its detent. This will lock it into place. **See Figure 34.**

7. With the slide stop in place, you can now move the slide forward.

CAUTION! Do not swivel the take down pin from the bottom up, you will scratch your frame.

8. Put the recoil spring plug over the open end of the recoil spring. **See Figure 35.**



FIGURE 35

WARNING! Be careful when assembling the recoil spring. The recoil spring needs to be compressed. Always wear eye protection to avoid serious personal injury.

9. Push the recoil spring plug into the slide by compressing the recoil spring. Once the spring has compressed enough that the plug is below the barrel bushing, rotate the barrel bushing counter clockwise until the arched part of the bushing lines up with the recoil lug. With the arch on the bushing aligned with the plug, let the recoil plug slide out. This will lock the bushing into place. **See Figure 36.**



FIGURE 36

DISASSEMBLY AND CLEANING

DD350

CAUTION! Your firearm should not be disassembled further than what is described in this manual. Only allow further disassembly by Devil Dog Arms or an Devil Dog Arm's Authorized Repair Center.

WARNING! MAKE SURE the firearm is unloaded before cleaning. Remove the magazine, look into the ejection port and visually check the chamber and ejection port to make sure there are no cartridges in the pistol. Eye protection must be worn when cleaning or disassembling any firearm.

REMOVE THE SLIDE:

WARNING! As always keep the muzzle of your firearm pointed in a safe direction when disassembling or cleaning your firearm.

1. Cock the hammer by pulling the hammer fully rearward.
2. Place the safety on by pushing the thumb safety up until the thumb safety locks into the safety engagement notch on the slide.

See Figure 37



FIGURE 37

3. Use the included hex wrench to relieve tension on the recoil guide rod. One half turn in the counter clockwise position should be sufficient. **See Figure 38.**



FIGURE 38

4. Once tension has been removed, disengage the thumb safety with your thumb by moving the thumb safety to the “OFF” or “FIRE” position and pull the slide back until the slide stop is in line with the disassembly notch.

5. From the shooters right side of the firearm, push in on the slide stop pin. **See Figure 39.**



FIGURE 39

6. Pull the slide stop out from the left side.

7. While removing the slide, keep tension held with your finger against the barrel and recoil spring on the bottom. This will prevent parts from falling. **See Figure 40.**



FIGURE 40

8. Once the slide is removed, Use hex key to completely remove the front half of the two-piece guide rod.

9. Remove the recoil guide and spring from the rear, then remove the recoil spring bushing from the rear.

10. Next turn the barrel bushing counterclockwise. You can now remove the barrel bushing by sliding it out the front of the slide. If needed use a barrel bushing wrench (not supplied).

11. Move the barrel link to its forward position.

See Figure 41.



FIGURE 41

12. Remove the barrel through the front of the slide.

REASSEMBLY DD350

1. Insert the barrel into the front of the slide through the barrel slot. **See Figure 42.**

2. Replace the barrel bushing by lining up the lug and sliding into the slide and over the barrel. Once all the way in, turn the bushing back into place.

See Figure 43.

**See Page 31 for
Lubrication Procedures.**



FIGURE 42



FIGURE 43

3. Place the recoil spring bushing back into the slide from the rear. The recoil spring bushing will only seat completely when aligned properly with the barrel bushing.

See Figure 44.

4. Push the recoil spring and guide rod back through the bottom of the slide with the open end of the spring towards the front. Bend the recoil spring guide over the barrel directly in front of the barrel link. Ensure the recoil guide is positioned with the concave side against the barrel.

See Figure 45.

5. Screw in the recoil guide rod through the front of the recoil spring bushing. Only hand tighten.

6. With your thumb, hold the guide rod assembly tight against the bottom of the barrel. Then place the slide assembly back onto the frame by sliding the complete assembly on the rails from the front to the rear.

See Figure 46.



FIGURE 44



FIGURE 45



FIGURE 46

7. Place the slide onto the frame and push rearward until the barrel link hole is aligned with the slide stop hole. You will need to move the hammer to the fully cocked position.

See Figure 47.



FIGURE 47

CAUTION! Do not swivel the takedown pin from the bottom up, you will scratch your frame.

8. Line up the disassembly notch on the slide with the rectangular cutout on the frame.

9. Push the slide stop pin into the slide stop hole. Make sure the pin passes through the barrel link. Push the slide stop in completely and past its detent. This will lock it into place.

See Figure 48.



FIGURE 48

11. Finish by tightening the Recoil Spring Plug with the hex key. Turn until snug.

See Figure 49.



FIGURE 49

WARNING! Do not over tighten the recoil spring guide rod.

DEVIL DOG ARMS WARRANTY

This Warranty is extended only to the original end-use purchaser of this new Devil Dog Arms Model 1911 firearm, and shall not be extended to any other person or transferee.

LIMITED LIFETIME WARRANTY:

This Warranty covers your new Devil Dog Arms Model 1911 firearm against defects in materials and workmanship.

This Warranty does NOT cover defects resulting from improper or unreasonable use or maintenance. This Warranty does NOT cover damage to the firearm caused by:

- Accidents, abuse, or misuse
- Barrel obstructions
- Failure to follow operating instructions
- Use of improper, reloaded or hand loaded ammunition
- Unauthorized repairs or adjustments
- Modifications or alterations
- Normal wear and tear of any of the parts

DEVIL DOG ARMS WILL NOT BE LIABLE FOR ANY INCIDENTAL OR CONSEQUENTIAL DAMAGES (INCLUDING BUT NOT LIMITED TO ANY LOSS, EXPENSE, OR DAMAGES OTHER THAN TO REPAIR DEFECTS IN THE FIREARM OR REPLACE THE FIREARM) UNDER THIS WARRANTY.

DEVIL DOG ARMS ASSUMES NO RESPONSIBILITY FOR PRODUCT MALFUNCTION OR FOR PHYSICAL INJURY OR PROPERTY DAMAGE RESULTING IN WHOLE OR IN PART FROM CRIMINAL OR NEGLIGENT USE OF THE PRODUCT.

THIS WARRANTY IS VOID IF THE FIREARM SERIAL NUMBER HAS BEEN REMOVED OR DEFACED.

The terms of this Warranty cannot be altered except in writing by an authorized officer of Devil Dog Arms.

IF A DEFECT IS DISCOVERED:

Devil Dog Arms, at its sole discretion, will repair the defect(s) or replace your firearm at no cost to you should you make a claim within the Limited Lifetime Warranty Period. Devil Dog Arms will keep the defective firearm should they opt to provide a replacement.

MAKING A WARRANTY CLAIM:

When you purchase your Devil Dog Arms firearm, you **MUST** complete and return the Warranty Registration Card to us at:

Devil Dog Arms, LLC

Product Service Center

2000 Gary Lane, Geneva, IL 60134

Phone: 855-433-2767

Please keep your sales receipt for proof of the purchase date. Should Devil Dog Arms decide that it is necessary for you to return your firearm to our factory or to one of our authorized warranty repair centers, the owner must prepay all shipping, insurance, and/or transportation charges. We will NOT accept COD shipments.

Legal Rights:

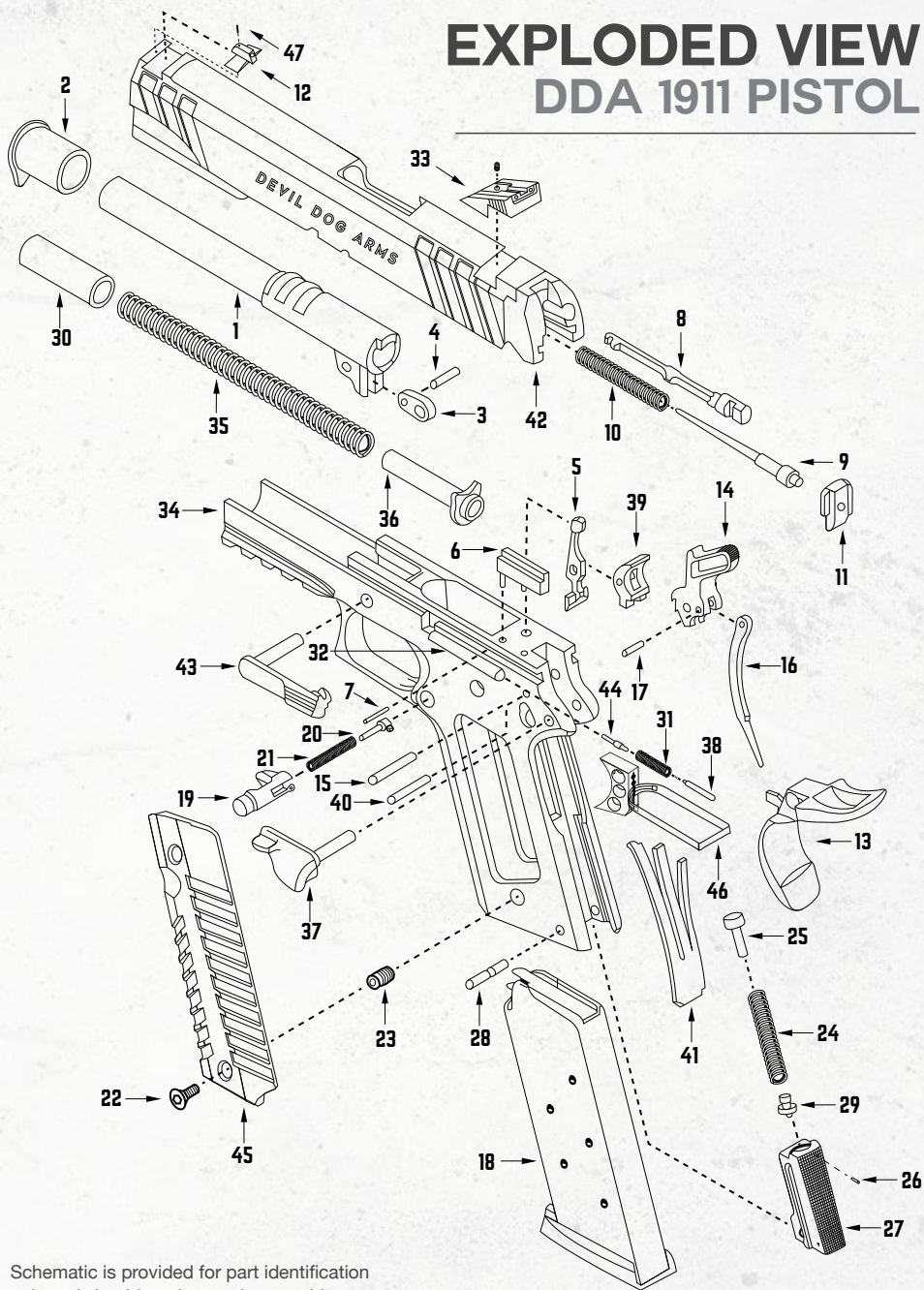
This Limited Lifetime Warranty gives you specific legal rights. These legal rights vary from state to state. Check with your state's jurisdiction to see if the limitations apply to you.

PARTS LIST

DDA 1911 STYLE PISTOL

ITEM NO	PART NAME	ITEM NO	PART NAME
1	Barrel	28	Mainspring Housing Pin
2	Barrel Bushing	29	Mainspring Housing Pin Retainer
3	Barrel Link		
4	Barrel Link Pin	30	Recoil Spring Plug
5	Disconnecter	31	Plunger Spring
6	Ejector	32	Plunger Tube
7	Ejector Pin	33	Rear Sight Assembly
8	Extractor	34	Frame/Receiver
9	Firing Pin	35	Recoil Spring
10	Firing Pin Spring	36	Recoil Spring Guide
11	Firing Pin Stop	37	Thumb Safety
12	Front Sight	38	Thumb Safety Plunger
13	Grip Safety	39	Sear
14	Hammer	40	Sear Pin
15	Hammer Pin	41	Sear Spring
16	Hammer Strut	42	Slide
17	Hammer Strut Pin	43	Slide Stop
18	Magazine Assembly	44	Slide Stop Plunger
19	Magazine Catch	45	Grip
20	Magazine Catch Lock	46	Trigger Assembly
21	Magazine Catch Spring	47	Front Sight Pin
22	Grip Screw		
23	Grip Screw Bushing		
24	Mainspring		
25	Mainspring Cap		
26	Mainspring Cap Pin		
27	Mainspring Housing		

EXPLODED VIEW DDA 1911 PISTOL



Schematic is provided for part identification only and should not be used as a guide to assemble the firearm.

FIREARMS OWNER RECORD

MODEL _____

SERIAL NUMBER _____

DATE PURCHASED _____

PURCHASED FROM _____

PRICE PAID _____

Remember to complete and return the Firearm Warranty Registration Card in order to obtain the full benefit of your Lifetime Limited Firearm Warranty.

This instruction manual should always accompany this firearm and be transferred with it upon change of ownership.

DO NOT alter or modify your firearm and have it serviced regularly.

Your firearm has been designed to operate according to certain factory specifications. You will jeopardize your safety and that of others around you by attempting to alter its trigger, mechanical safety or other mechanisms. **NEVER ALTER OR MODIFY YOUR FIREARM IN ANY WAY.**

Like any mechanical device, a firearm is subject to wear. It must be maintained and periodically serviced to assure optimum safety and performance. Only a qualified service facility should service, repair or modify your firearm. Consult your instruction book for a location of the nearest Authorized Devil Dog Arms Repair Center.

Devil Dog Arms recommends that you have your firearm professionally serviced annually. You should also have your firearm professionally serviced after prolonged storage, or if there is ever any question pertaining to the proper functioning characteristics of your firearm.

Proper cleaning and lubrication are also important to firearm maintenance and are necessary to assure accuracy, safety and reliability. **Before cleaning, always make sure that your firearm is completely unloaded, and always clean the barrel from the chamber end to the muzzle when possible.**



www.DEVILDOGARMS.COM