

AMERICAN TACTICAL



**Nomad**  
**SINGLE BARREL SHOTGUN**  
**OWNER'S MANUAL**

**READ THE INSTRUCTIONS AND  
WARNINGS IN THIS MANUAL CAREFULLY  
BEFORE USING THIS FIREARM**

## VERY IMPORTANT

*This owner's manual contains operating, care and maintenance instructions to assure safe operation of this **Nomad** single barrel shotgun. Any user of this firearm must read this manual carefully. Failure to follow the instructions and warnings in this manual can cause accidents resulting in injury or death. This manual should always accompany this firearm, and be transferred with it upon change of ownership.*

**WARNING: KEEP THIS FIREARM OUT OF THE REACH OF CHILDREN AND ANYONE UNFAMILIAR WITH THE SAFE HANDLING OF FIREARMS.**

This firearm has been tested using proof and service ammunition that meets Sporting Arms & Ammunition Manufacturers Institute (SAAMI) performance standards.

**Nomad** assumes no liability or responsibility for injury or damages resulting from misuse, neglect, alterations, the alteration or use of parts not of our manufacture or the use of ammunition that is faulty, handloaded, reloaded or not made by a recognized company that manufactures ammunition to SAAMI specifications and standards.

### Before You Use Your **Nomad** Single Barrel Shotgun

It is very important that you read and understand this manual. Warnings should be read and heeded very carefully. Also study "The Rules for Firearm Safety" in this manual.

•**WARNING:** Your gun is shipped completely assembled and should not be used or disassembled without fully reading and understanding the instructions in this Owner's Manual.

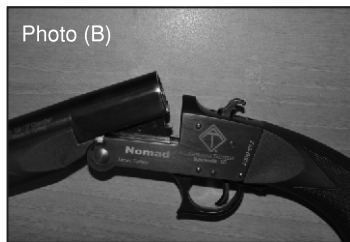
•**WARNING:** It is a violation of federal law to alter or deface the serial number of any firearm.

## HOW TO LOAD AND FIRE THE **NOMAD** SINGLE BARREL SHOTGUN



To open your **Nomad** single barrel shotgun, first make sure the hammer is in the full forward uncocked position

Photo (A)



While pointing the gun in a safe direction, pull back on the front of the trigger guard while exerting downward pressure on the barrel just forward of the fore-end Photo (B)



The gun barrel will rotate down exposing the barrel chamber

Photo (C)

Make sure you have the proper ammunition before sliding a live shell into the gun barrel's chamber. With a live shell in the chamber simply close the action, (it is not necessary to hold the trigger guard rearward when closing the action).



Now with a live round in the gun's chamber while keeping your finger outside the trigger guard, draw the hammer rearward with your thumb into the full rearward "cocked position"

Photo (D)

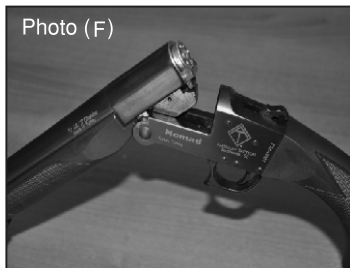


Your **Nomad** single barrel shotgun is now ready to fire. Keep the gun pointed in a safe direction. Be sure of your target and make sure the area beyond your target is safe as well. With the gun properly seated in your shoulder while aiming at your target, push the safety button to the full left "off safe position"

Photo (E)

and then and only then when you are sure of your target and the area beyond you should put your finger inside the trigger guard and pull the trigger.

### UNLOADING YOUR **NOMAD** SINGLE BARREL SHOTGUN



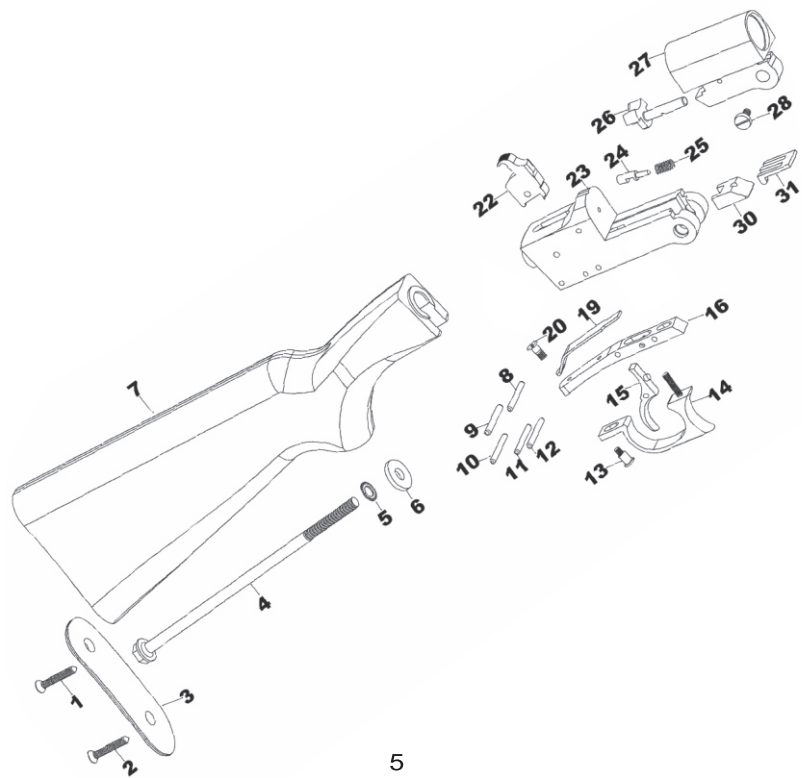
To unload your **Nomad** single barrel shotgun make sure the hammer is in the full forward uncocked position then simply pull back on the trigger guard rotate the barrel downward to expose the cartridge the guns automatic extractor will push the shell out of the barrel's firing chamber so that it can be easily

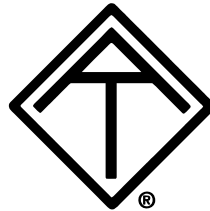
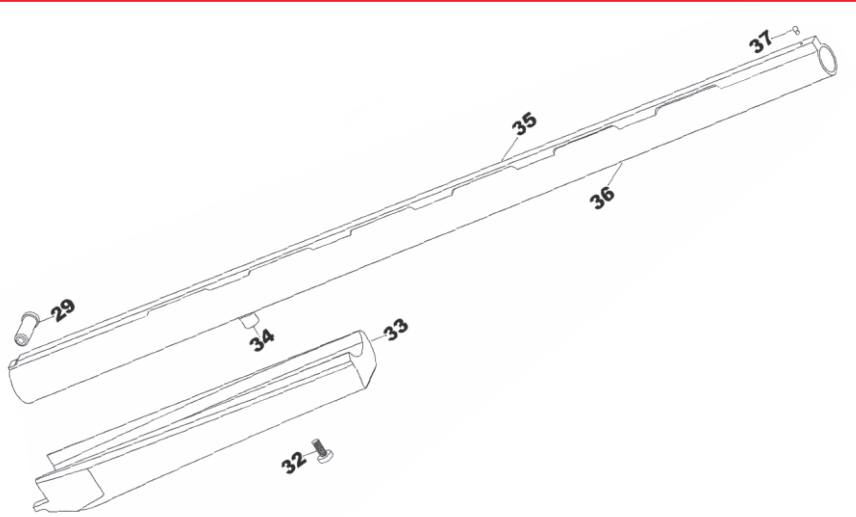
**WARNING:** In case of a misfire, keep the firearm pointed in a safe direction and wait one minute before opening firearm.

## **Firearm Safety**

1. Read and understand the owner's manual before using the firearm.
2. If you are unfamiliar with firearms, attend a firearms safety class taught by a certified instructor.
3. Handle every firearm as if it were loaded and ready to fire.
4. Control the muzzle, and never point a firearm at anything you don't want to shoot.
5. Keep the hammer in the full forward uncock position until you are ready to shoot
6. Unless you are hunting, carry your firearm empty, with the action open.
7. Before shooting, be sure you have an adequate backstop. All ammunition is dangerous beyond your line of sight.
8. Avoid ricochets by never shooting at water or any hard, flat surface.
9. Do not run, climb, or jump over an obstacle with a loaded firearm.
10. Do not climb into or out of a tree or tree stand with a loaded firearm. Do not allow others to pass loaded firearms to you while in a tree stand.
11. Do not enter or ride in a motor vehicle with loaded firearms.
12. Do not lean a loaded firearm against anything.
13. Do not bump, drop or jar a loaded firearm.
14. Do not pull a firearm toward you by the muzzle.
15. Wear hearing protectors when shooting.
16. Wear impact-protective glasses when shooting, disassembling or cleaning firearms.
17. Avoid alcoholic beverages and drugs before and during shooting.
18. Use only ammunition of the correct gauge, caliber, size and bullet shape for your firearm.
19. Do not use damaged, dirty, modified, or improperly handloaded ammunition.
20. Keep the barrel and mechanism of the firearm free of obstructions.
21. Do not use a firearm that fails to function properly. Do not try to force a jammed action.
22. Be sure no one is in the path of ejecting shells or cartridges.
23. Do not interchange parts between firearms, and be sure disassembly and reassembly are correct and complete.
24. Before cleaning, be sure the chamber, action and magazine are completely unloaded.
25. Unload firearms before storing, transporting, or leaving unattended.
26. Store firearms and ammunition separately, locked and out of the reach of children.

## GENERAL PART ASSEMBLY





AMERICAN TACTICAL  
**Nomad**

### PART LIST

1	Butt Plate Screw	19	Main Spring
2	Butt Plate Screw	20	Hammer Spring Screw
3	Butt Plate	22	Hammer
4	Stock Bolt	23	Receiver
5	Stock Bolt Lock Washer	24	Firing Pin
6	Stock Bolt Washer	25	Firing Pin Spring
7	Stock	26	Extractor
8	Firing Pin Retaining Pin	27	Monoblock
9	Hammer Pin	28	Hinge Pin Screw
10	Bottom Plate Retaining Pin	29	Hinge Pin
11	Trigger Pin	30	Locking Block
12	Bottom Plate Retaining Pin	31	Action Release
13	Trigger Guard Screw	32	Forend Screw
14	Trigger Guard	33	Forend
15	Trigger	34	Forend Lug
16	Bottom Plate	35	Vent Rib
		36	Barrel
		37	Front Bead



**Failure to follow these rules or other instructions in this manual can result in personal injury or death.**

Health Warning: Discharging of firearms in poorly ventilated areas and handling ammunition may cause exposure to lead and/or lead compounds. Exposure may cause cancer, birth defects or damage to the kidney, nervous, blood forming and reproductive systems. Have adequate ventilation at all times, especially in confined areas. Wash hands thoroughly after shooting, handling ammunition, or cleaning a firearm. Do not eat or smoke during these activities.

Safety Warning: We strongly recommend that you take a hunter safety course, taught by a certified instructor, before you use this firearm. Your State Fish & Game Department or a local gun shop can suggest courses in your area.

Safety Warning: Store this firearm in a locked safe out of the reach of children and others unfamiliar with the safe handling of firearms. Store ammunition in a locked safe separate from the firearm.

*SERVICE INSTRUCTIONS CONTINUED*

## **Service Instructions**

### **TO ORDER PARTS FROM THE FACTORY SERVICE CENTER**

To order parts, you can fax, phone, mail, or e-mail your order to us at one of the below numbers/addresses.

Fax Number: (830) 773-5893

Phone Number: (800) 290-0065

E-mail Address: [customerservice@americantactical.us](mailto:customerservice@americantactical.us)

Mailing Address: **Call or view online for service address**

Please provide your name, address, city, state, zip, your daytime phone number and e-mail address. We will need the Model #, Serial #, Gauge/Caliber, Finish, Part # and Part Name.

We accept most major credit cards, money orders, and bank drafts.

### **SERVICE OUTSIDE OF THE U.S.A.**

For American Tactical International firearm parts and service requirements outside of the United States, customers are requested to contact the closest American Tactical International stocking dealer/distributor.

### **WARRANTY SERVICE RETURNS PROCEDURE:**

American Tactical provides warranty services, repairs and parts for our imported and domestic brand products. If you believe your American Tactical product needs service, please contact our Customer Service Department at 1-800-290-0065 to obtain a Return Authorization (RA) or email our customer service at [customerservice@americantactical.us](mailto:customerservice@americantactical.us)

All firearms (pistols, rifles, shotguns, and lower receivers) being sent in for service must be registered through the American Tactical website or by mailing in the firearm's warranty card to receive warranty services.

*Firearms that are not registered can be serviced, but will be subject to charge.*

**Warranty** Defects in workmanship or material & failure to function as designed and specified in this manual

**PLEASE REGISTER YOUR FIREARM'S WARRANTY ONLINE AT:**

<http://www.americantactical.us/warranty.html>

**What is not covered under warranty?**

We will not cover damage of your firearm caused by:

- Failure to provide proper care and maintenance
- Accidents, abuse or misuse
- Barrel obstruction
- Hand loaded, reloaded or improper ammunition
- Unauthorized adjustments, repairs or modifications
- Normal wear and tear

**What is excluded from this warranty?**

American Tactical excludes and will not pay incidental or consequential damages under this warranty. By this we mean any loss, expense or damages other than to repair defects in the firearm or replace the firearm. No implied warranties extend beyond the term of this written warranty.

**SERVICES OUTSIDE OF WARRANTY COVERAGE:**

Any firearms requiring service outside of the scope of manufacturer warranty require a minimum \$25 shipping and handling fee for return shipping expenses. This fee must be paid prior to issuance of a RA from Customer Service. It is the responsibility of the owner of the firearm to pay shipping expenses incurred for the firearm to return to American Tactical's facility.

Once inspected, you will receive a service quote for the cost of parts and labor for any fees required to service the firearm. No service work will be performed without authorization following issuance of the quote. Should the service quote be accepted, all fees must be paid prior to return of the firearm to the customer. Should the service quote be refused, no work will be performed and firearm will be returned to the customer in the condition in which it was received. If no response to an issued quote is received by American Tactical within 30 days of issuance, the firearm will be returned to the customer in the condition in which it was received.

All payments can be made through American Tactical Customer Service via Credit/Debit Card or by mailing a money order addressed to American Tactical.

## American Tactical Product Registration Card

### Contact Information

First Name: \_\_\_\_\_  
Last Name: \_\_\_\_\_  
Address: \_\_\_\_\_  
City: \_\_\_\_\_  
State: \_\_\_\_\_ Zip: \_\_\_\_\_  
Phone: \_\_\_\_\_  
Email: \_\_\_\_\_

### Purchase Information

Date Purchased: \_\_\_\_\_  
Place of Purchase: \_\_\_\_\_  
Make: \_\_\_\_\_  
Model: \_\_\_\_\_  
Serial Number: \_\_\_\_\_  
Purchase Price: \_\_\_\_\_  
Color / Finish: \_\_\_\_\_  
Caliber / Gauge: \_\_\_\_\_  
Magazine Capacity: \_\_\_\_\_

### Additional Information

Gender: Male  Female   
Marital Status: Single  Married   
Date of Birth: \_\_\_\_ / \_\_\_\_ / \_\_\_\_  
Occupation: \_\_\_\_\_  
Including yourself, what is the total number of people living in your household? \_\_\_\_\_

Your Level of Education:  
 Some High School  
 Completed High School (or equivalent)  
 Some College  
 Associate's College Degree  
 Bachelor's College Degree  
 Master's College Degree or Higher

Number of Firearms you Own: \_\_\_\_\_

#### What are your Household Shooting Interests?

- |                                    |                                      |
|------------------------------------|--------------------------------------|
| <input type="radio"/> Waterfowl    | <input type="radio"/> Trap / Skeet   |
| <input type="radio"/> Upland Birds | <input type="radio"/> Sporting Clays |
| <input type="radio"/> Turkey       | <input type="radio"/> Target         |
| <input type="radio"/> Big Game     | <input type="radio"/> Plinking       |
| <input type="radio"/> Small Game   | <input type="radio"/> Home Defense   |

#### This ATI Firearm will be used for (Fill all that Apply):

- |                                  |                                      |
|----------------------------------|--------------------------------------|
| <input type="radio"/> Waterfowl  | <input type="radio"/> Gun Collection |
| <input type="radio"/> Big Game   | <input type="radio"/> Sporting Clays |
| <input type="radio"/> Small Game | <input type="radio"/> Target         |
| <input type="radio"/> Trap       | <input type="radio"/> Plinking       |
| <input type="radio"/> Skeet      | <input type="radio"/> Home Defense   |
| <input type="radio"/> Other      |                                      |

Number of ATI Firearms you own: \_\_\_\_\_

**NOTICE: All information on this form is confidential and will not be sold or given to any third parties.**



Go to [Facebook.com/AmericanTactical](https://www.facebook.com/AmericanTactical) for constant updates and promotions

Additional Notes: \_\_\_\_\_



AMERICAN TACTICAL

Please Visit [www.AmericanTactical.us/warranty.html](http://www.AmericanTactical.us/warranty.html) to register your firearm and fill out a brief questionnaire. To register by mail, detach and mail this page. Find the address at [www.AmericanTactical.us](http://www.AmericanTactical.us) or give us a call at 800.290.0065



AMERICAN TACTICAL

## Registration and Warranty Information

Thank you for choosing an American Tactical firearm.

### Please Register Online!

Please Visit [www.AmericanTactical.us/warranty.html](http://www.AmericanTactical.us/warranty.html) to register your firearm and fill out a brief questionnaire.

#### If you do not have on-line access, use the back of this card

Registration will be used for product registry in the event your firearm needs service or repair.

### American Tactical Lifetime Limited Warranty

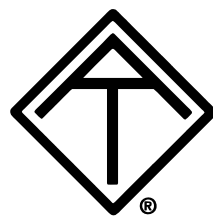
American Tactical's LIMITED LIFETIME WARRANTY is in effect for any firearms registered for warranty beginning January 1, 2015. This warranty extends to any and all parts of the firearm as originally sold by American Tactical, but does not extend to firearms altered after their original purchase, firearms damaged through abuse, misuse or lack of proper care and maintenance or firearms used other than for their legal intended purposes. If a firearm cannot be repaired, American Tactical will replace it with a brand new identical firearm. If a replacement firearm identical to the returned firearm is not available, American Tactical will replace it with a firearm of equal value to be determined at our discretion. The American Tactical LIMITED LIFETIME WARRANTY does not allow for monetary compensation for firearms purchased by the end user at the retail level. Any and all claims for monetary return must be addressed with the retail location from which the end user purchased the American Tactical brand domestic or imported firearm and will be subject to the terms and conditions of the retail locations returns policies.

American Tactical is not liable for any returns or claims policies of independent retailers selling American Tactical brand domestic or imported products.

All firearms registered prior to January 1, 2015 are still subject to the previous 2 Year American Tactical Warranty policy. Once expired, firearms registered prior to January 1, 2015 will be subject to the policy detailed below in the section labeled SERVICES OUTSIDE OF WARRANTY.

**NOTE: All American Tactical Omni Hybrid and Milsport AR receivers have a lifetime warranty regardless of registration date.**





[www.americantactical.us](http://www.americantactical.us)