



arms&defense

Owner's Manual for Semi-Auto  
Shotgun

READ THE INSTRUCTIONS AND WARNINGS IN THIS MANUAL  
BEFORE USING THIS FIREARM!!!

### **Toros Arms Hunting Industry**

Located in Beyşehir-Konya-Turkey, Toros arms started its production facility in 1996 as Koroğlu Hunting Industry and Trade Limited Company. Changing its commercial title as Toros hunting industry and trade limited company, it continued its production. In the following period, by increasing the capital, taken the name of Toros Construction Automotive Food Industry and Trade Limited Company and still continues its commercial activities under this name. Since its establishment, adopted customer satisfaction as its number one priority, our company continues its facility with the principle of meeting all kinds of shotgun needs at the most reasonable price policy without compromising on quality. We also work with the OEM manufacturers that are qualified and eligible to C.I.P, SAAMI and TSE Quality test standards .

Use your Toros Arms hunting and defense shotgun for long years with high pleasure and feel yourself special by having one of Toros arms products

**Toros Arms provides full customer service for all its brands. We are open to hear from you any kind of feedback. We know that any criticism will lead us to excellence.**

## **FIREARMS SAFETY**

At TOROS we believe that safe firearms handling is the most important consideration of anyone who uses firearms and ammunition. Please take a few minutes to thoroughly read and understand this instruction manual.

ALL GUNS ARE NOT ALIKE. Many makes and models of firearms may LOOK very similar. However, they differ widely in design and operation, and in the location and function of various controls.

You should completely understand this manual before you practice loading, unloading and firing with live ammunition.

Remember, firearms safety does depend on you!

## IMPORTANT SAFETY WARNINGS

Be certain this owner's manual is available for reference and is kept with this firearm if transferred to another party. If the manual is lost or misplaced, contact your "Product Service Center" for a free replacement copy, or download a copy from [www.torosarms.com](http://www.torosarms.com)

After performing any work on your firearm such as cleaning, adjustments, disassembly, or installation of any accessory, the firearm should be re-checked for proper functioning before firing live ammunition.

Firearms are complicated mechanisms. Any modification, alteration, or improper fitting of parts may result in a dangerous malfunction, damage to the firearm and injury to the shooter and others. The firearm's owner must accept full responsibility for the correct reassembly and functioning of the firearm after any disassembly or replacement of parts.

If you do not understand any of the material in this manual or have any questions, contact your dealer or a qualified gunsmith.

Do not attempt to load or use any firearm until you have read and understood the information mentioned in its owner's manual. Before handling your firearm, you should learn how it operates and how to maintain it. This includes knowing its basic parts, how the manual safety and other safety features operate, how to safely open and close the action, and how to safely load and unload ammunition from the firearm. Improper use and handling is dangerous and could cause serious injury or death to you or those around you. All users of the firearm must become thoroughly familiar with the instructions in this manual.

As the owner of a firearm, you must undertake the full-time responsibility of safe firearms handling for your own safety and the safety of those around you:

- Keep all firearms and ammunition out of the reach of children.
- Store your firearms and ammunition separately.
- Never store a loaded firearm.
- Never leave a loaded firearm unattended.
- Never transport a loaded firearm in a vehicle.
- Unload your firearm when you have stopped shooting and when you have to climb a tree, fence, cross a slippery surface or have to transport it in a vehicle.
- Do not load your firearm before you are in a place where it is safe to shoot, and keep your finger off the trigger until you are on target and have decided to fire.
- Never shoot at water, rocks or any hard surfaces. Shots may glance off such surfaces and cause injuries.
- Do not use alcohol or drugs before or while handling firearms.
- Do not touch the trigger while the safety button is being engaged or disengaged.



Always point the muzzle of your firearm to a safe direction, regardless of whether the firearm is loaded or unloaded. Always treat every firearm as if it were loaded. Give your firearm to someone with the action open (bolt fully rearward) and safety in the "ON" (SAFE) after you verify the firearm is unloaded. Insist on the same procedure when receiving a firearm from someone else. Learn the location of all the safety features of your firearm and how they operate. Wear eye and ear protection when shooting. Shooting without proper ear protection can cause hearing damage. The use of eye protection during any type of shooting is important to protect your eyesight. Due to the heavy recoil of a shotgun, maintain an adequate distance between the rear of the scope (if equipped) and your face at all times. Be certain the scope installation does not interfere with access to, or the proper functioning of the safety.

**!!!WE SPECIFICALLY DISCLAIM ANY RESPONSIBILITY FOR DAMAGE OR INJURY WHATSOEVER OCCURRING IN CONNECTION WITH, OR AS A RESULT OF, THE USE OF FAULTY, OR "REMANUFACTURED," OR HAND-LOADED (RELOADED) AMMUNITION. ADDITIONALLY, WE DISCLAIM ANY RESPONSIBILITY FOR DAMAGE OR INJURY WHICH RESULTS FROM ANY MODIFICATIONS OR CHANGES THAT ARE NOT A PART OF THE FIREARM AS DELIVERED FROM THE FACTORY.**

Learn to clean your firearm thoroughly and make certain no oil, grease, or other materials are blocking the barrel. Obstructions of any kind can cause damage to the firearm, and may result in serious personal injury to the shooter and/or others nearby. Practice proper firearm maintenance and safety. Make sure all exposed metal surfaces are coated with a thin film of oil, especially after exposure to damp weather. (See proper section of this manual for cleaning instructions). Do not plug barrel or store in a fabric-lined case which will absorb lubricants from the firearm. Before using after storage, follow complete instructions stated in this manual for familiarization with the firearm. A thorough inspection should be performed before going into the field. Have your firearm periodically checked by a qualified gunsmith. CONGRATULATIONS!!!

You are now the owner of the Toros Arms Defence product 12-gauge shotgun. Your shotgun has an innovative design and is manufactured from high quality materials. With regularly performed maintenance and the use of proper ammunition it will provide you with many years of service.

In order to achieve the best performance and reliability from your shotgun, please read and fully understand all of the instructions, safety guidelines, and warnings carefully in this manual. Your quality shotgun is enormously reliable and safe unless it is handled in a careless or irresponsible manner.

REMEMBER: It is imperative that the firearm handler be fully educated and conscious of the importance of executing proper gun safety rules when operating any firearm.

Before using or firing with any live ammunition you should know and fully understand your shotgun's parts, function, and operating mechanisms. So carefully read and fully understand all of the information about the parts and procedures of using the shotgun safely and effectively.



## ABOUT YOUR SEMI-AUTOMATIC SHOTGUN

Your Toros Arms Shotgun is gas operated. The gas created from firing a live shotshell operates the action. Once the first shell has been fired, the next shell in the magazine will automatically cycle into the chamber, and this cycle will continue (each time the trigger is pulled) until all shells loaded in the magazine have been fired. The bolt will remain locked in the open position after the last shell is fired.

The technologically advanced gas metering system allows you to shoot 2  $\frac{3}{4}$ " and 3" shells interchangeably with any ammunition of the proper gauge for your shotgun with flawless performance. This and other fine features ensure that your shotgun will be a source of pride and pleasure for years to come.

### SAFETY SWITCH

The safety is designed to stop the trigger mechanism. *DON'T RELY ON YOUR GUN'S SAFETY. TREAT EVERY GUN AS IF IT WERE LOADED AND READY TO FIRE.* The safety on any gun is a mechanical device, and it is not intended as a substitute for common sense of safe gun handling. Always keep the muzzle pointed in a safe direction.

1. The safety is located behind the trigger and provides protection against accidental or unintentional discharge under normal usage when properly engaged.

2. To engage the safety, push the button, thus it protrudes from the right side of the gun and the RED BAND MARKING CAN NOT BE SEEN. The safety should always be in the "on" of safe" position until you intend to fire the gun.

3. When you are ready to fire the gun, press the safety button to the "off" or "fire" position, so the safety protrudes from the left side of the gun and the RED BAND will be seen.



## ASSEMBLY



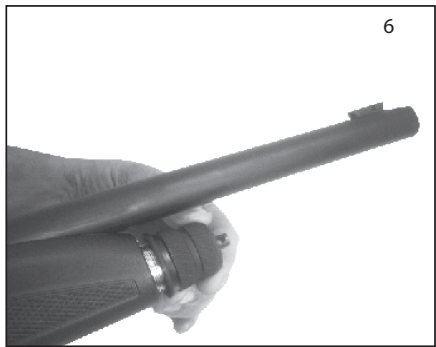
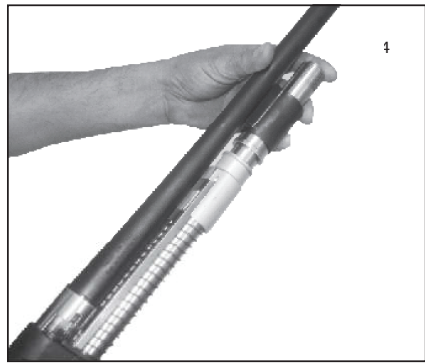
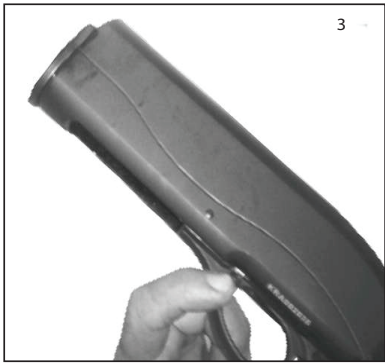
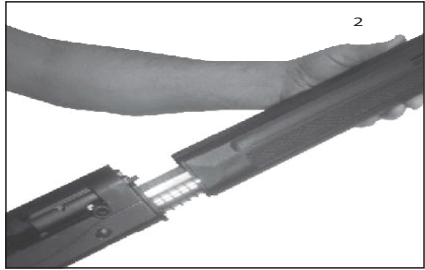
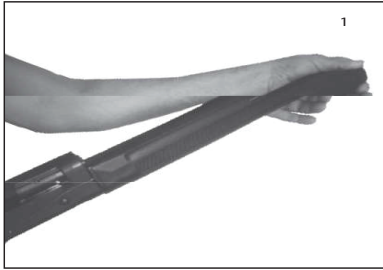
To assemble the gun, follow the steps below;

\*Unscrew the cap (photo1) and remove the forend (photo 2)

\*Pull the bolt hanging latch placed on the rear side of the carrier (photo 3)

\*Assemble the barrel while centering the magazine and the receiver (photo 4)

Reassemble the forend (photo 5) and screw the cap onto the threaded magazine tube (photo 5)



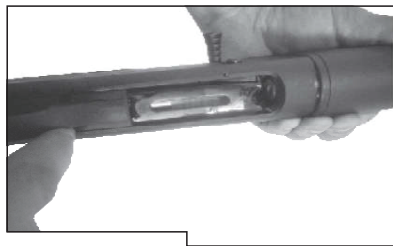
## LOADING YOUR SHOTGUN

1. Be sure that the safety is in the “on” or “safe” position.

Draw or pull the bolt rearward until it locks in the open position. Place a cartridge into the breach. Release the bolt by pressing the button located toward the front of the receiver. This chambers a round, and the gun will fire if the trigger is pulled with the safety in the “off” position. You can then load additional cartridges into the tubular magazine by inserting them through the loading port on the bottom of the receiver and pushing them into the magazine.

2. Be sure the safety is in the “on” or “safe” position.

Draw or pull the bolt rearward until it locks in the open position. Load the cartridges into the magazine by inserting them through the loading port on the bottom of the receiver and pushing them into the magazine. Push back the magazine shell latch on the rear side of the carrier. This allows the shell to exit the magazine and move onto the carrier. Release the bolt by pressing the bottom located toward the front of the receiver. This chambers a round and the gun will fire if the trigger is pulled with the safety in the “off” position.



## UNLOADING THE SHOTGUN

Be certain the safety is in the “on” position. Rapidly draw or pull the bolt reaward to eject any cartridge in the chamber. Lock the bolt open by pressing the button located toward the front of the receiver. Lift the carrier and push on the magazine shell latch. The shells in the magazine will be ejected.



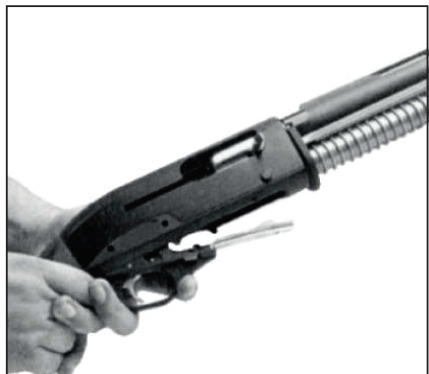
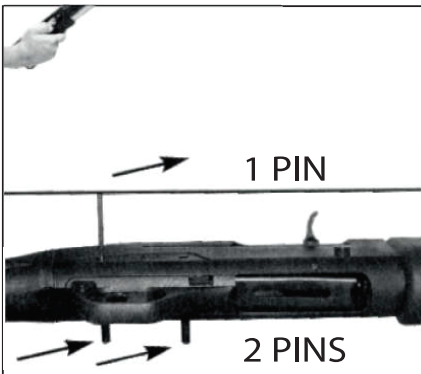
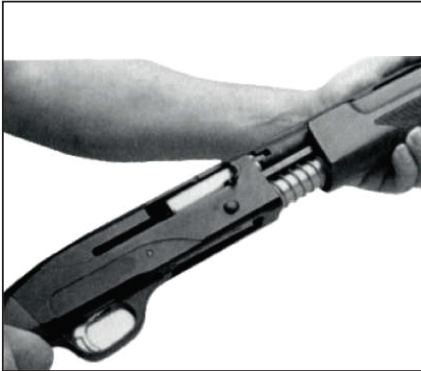
## DISASSEMBLY

Unscrew the forend cap.

Take the forend and the barrel off.

Take the handle off from the bolt and then all the bolt assembly.

With a tool, push the pins of the trigger group out and take the trigger group off.



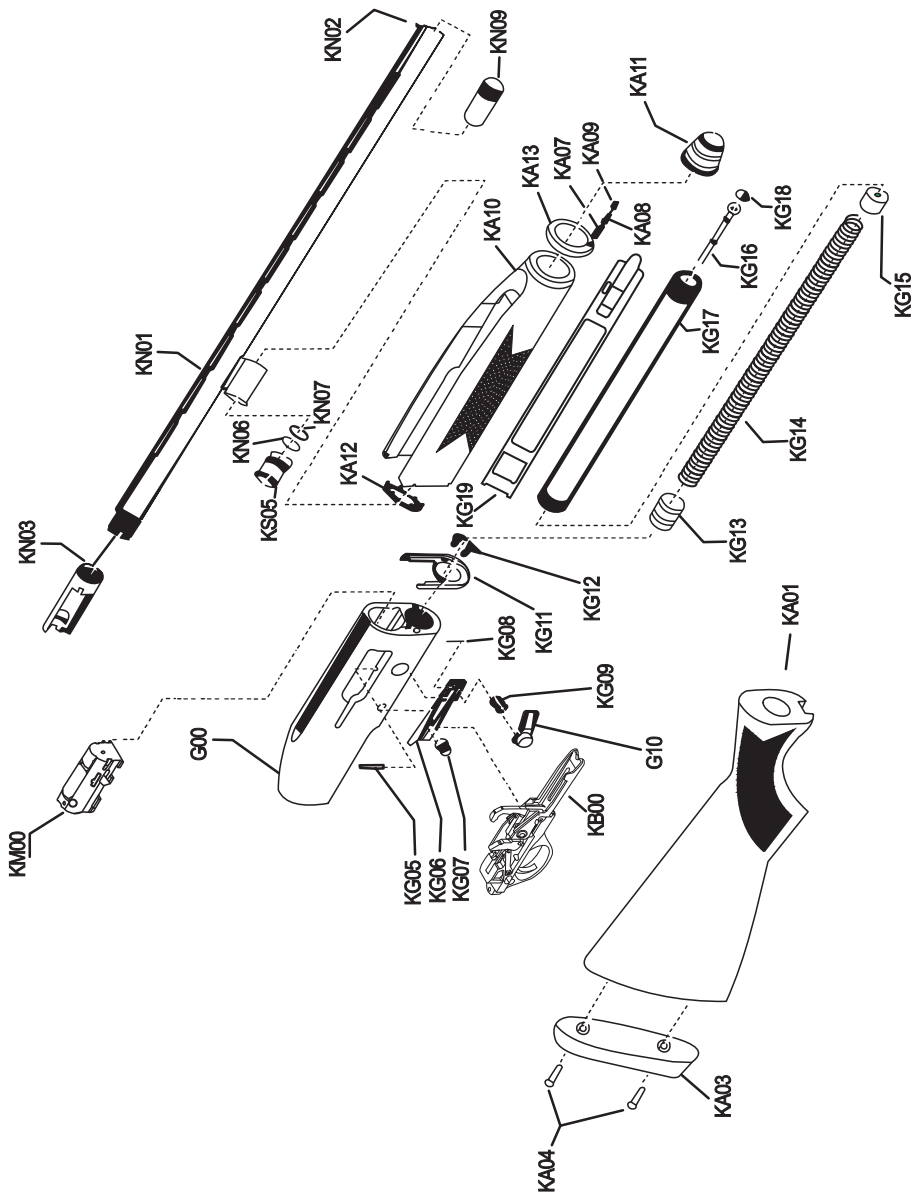
## REASSEMBLY

Assemble on the magazine tube, the action spring and insert the bolt group into the receiver.

Insert the handle into its hole.

Reassemble the trigger group fixing it with the pins.

# GENERAL ASSEMBLY

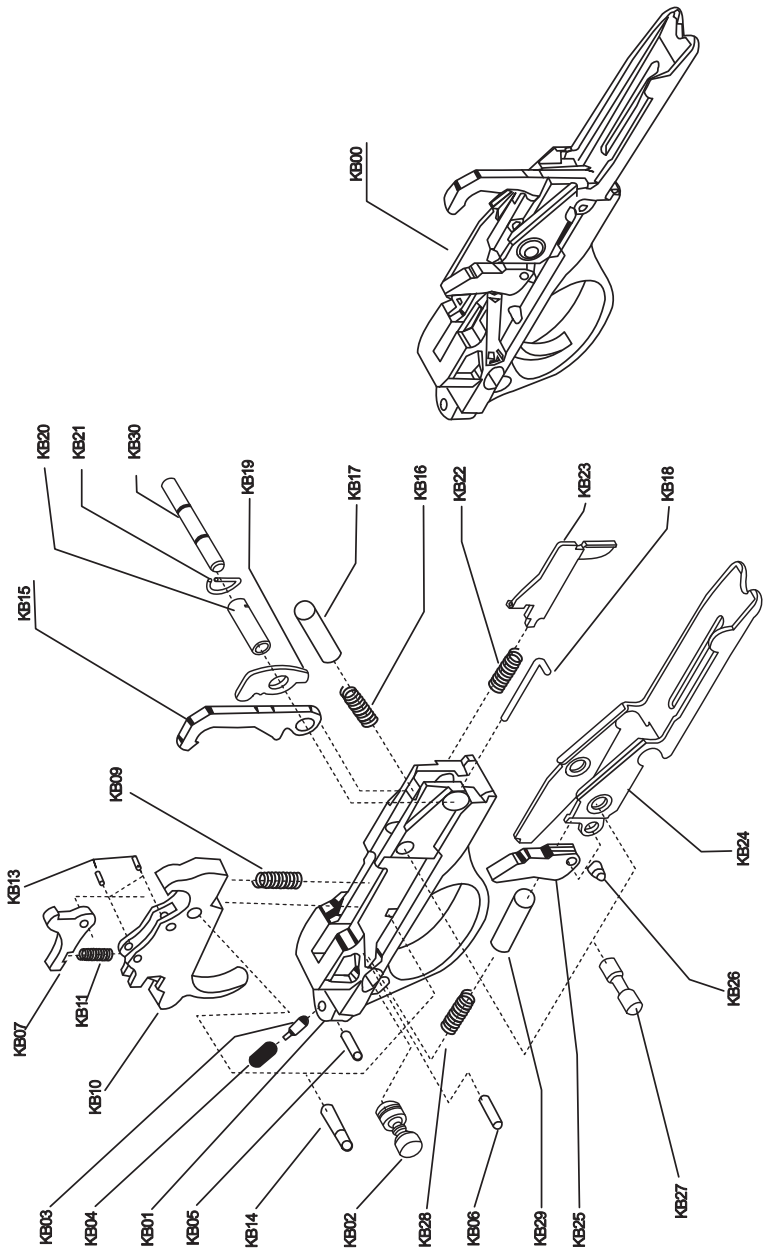


## 12 GA. GENERAL ASSEMBLY - PART LIST

Stock No	Description	Stock No	Description
KB00	TRIGGER GROUP ASSEMBLY	KA04	RUBBER RECOIL PAD SCREW
KG00	RECEIVER	KA07	FORE-END BLOCKER SPRING
KG01	RECOIL SPRING TUBE	KA08	FORE-END BLOCKER
KG03	RECOIL SPRING	KA09	FORE-END BLOCKER SCREW
KG04	RECOIL SPRING CAP	KA10	WALNUT FORE-END
KG05	CARRIER LATCH PIN	KSA10	SYNTHETIC FORE-END
KG06	CARRIER LATCH	KA11	FORE-END NUT
KG07	CARRIER LATCH SPRING	KA12	FORE-END PINNED PLATE
KG08	CARRIER LATCH BUTTUN PIN	KA13	FORE-END PLATE
KG09	CARRIER LATCH BUTTUN SPRING	KN01	BARREL
KG10	CARRIER LATCH BUTTUN	KN02	FRONT SIGHT
KG11	FORE-END LATCH	KN03	BREECH
KG12	FORE-END LATCH SCREW	KN07	GAS HOLE O-RING
KG13	MAGAZINE LOGN SPRING CUP	KN09	CHOKE TUBE
KG14	MAGAZINE SPRING	KN10	GAS HOLE JOINT
KG15	MAGAZINE SHORT SPRING CUP	KN11	GAS HOLE PLUG
KG16	MAGAZINE PLUG	KS05	PISTON
KG17	MAGAZINE TUBE	KS06	PISTON O-RING
KG18	MAGAZINE PLUG BLOCKER	KS07	PISTON RING
KG19	ACTION BAR		
KA01	WALNUT STOCK		
KSA01	SYNTHETIC STOCK		
KA03	RUBBER RECOIL PAD		



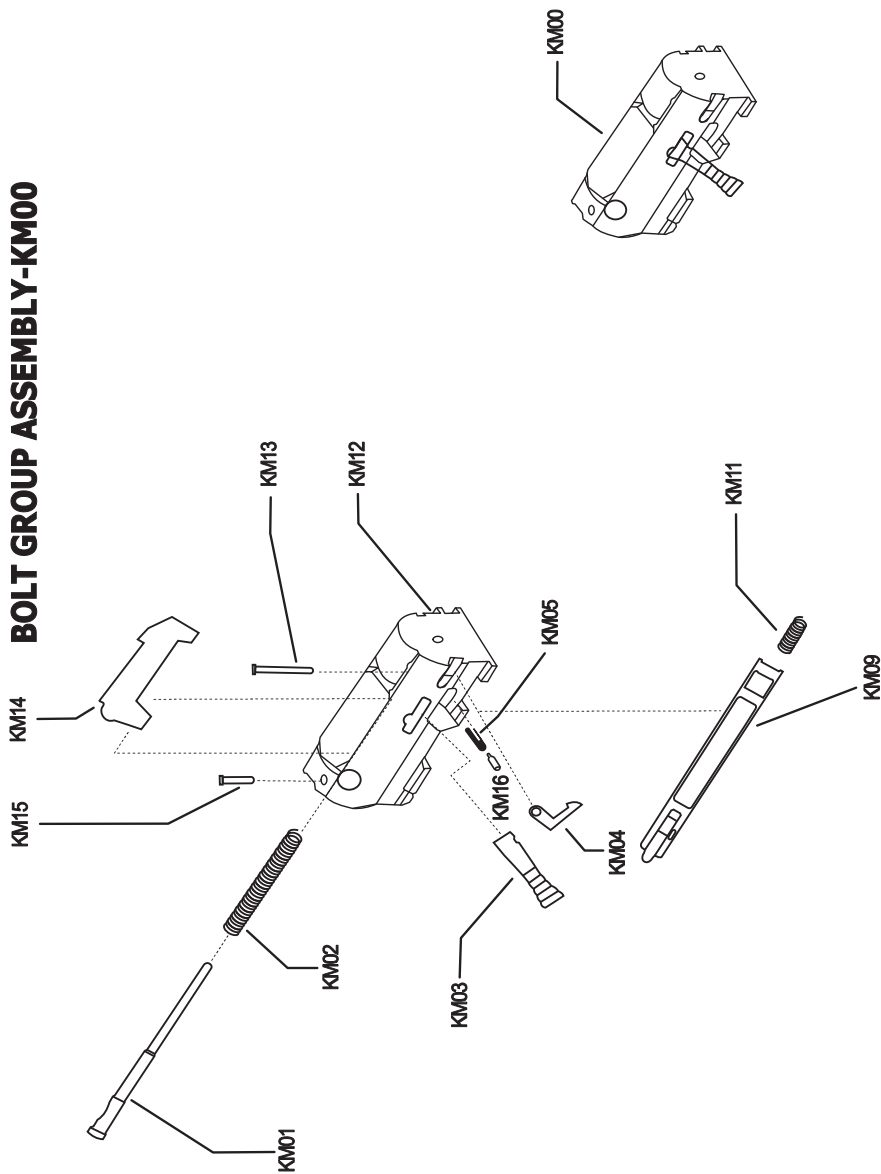
# TRIGGER GROUP ASSEMBLY-B00



## 12 GA. TRIGGER GROUP ASSEMBLY - PART LIST

Stock No	Description	Stock No	Description
KB01	TRIGGER GUARD	KB17	HAMMER SPRING CAP
KB02	HAND SAFETY	KB18	HAMMER LATCH SPINDLE
KB03	SAFERY PLUNGER SPRING PIN	KB19	HAMMER LATCH
KB04	SAFERY PLUNGER SPRING	KB20	HAMMER TUBE PIN
KB05	SAFERY SPRING RETAINING PIN	KB21	HAMMER TUBE PISTON RING
KB06	TRIGGER FIXING PIN	KB22	TRIGGER GUARD LATCH SPRING
KB07	DISCONNECTOR	KB23	TRIGGER GUARD LATCH SPRING
KB09	TRIGGER SPRING	KB24	CARRIER
KB10	TRIGGER	KB25	BREECH BOLT LATCH
KB11	HAMMER DROP SPRING	KB26	BREECH BOLT LATCH PIN
KB12	HAMMER DROP PART	KB27	CARRIER PIN
KB13	HAMMER DROP PIN	KB28	CARRIER SPRING
KB14	TRIGGER PIN	KB29	CARRIER SPRING PIN
KB15	HAMMER	KB30	RECEIVER PIN
KB16	HAMMER SPRING		

# BOLT GROUP ASSEMBLY-KM00


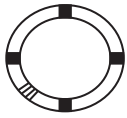
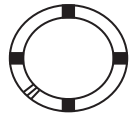
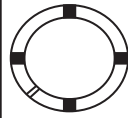
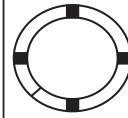
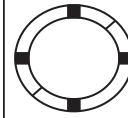


# 12 GA. BOLT GROUP ASSEMBLY - PART LIST

Stock No	Description
KM01	FIRING PIN
KM02	IRINING PIN SPRING
KM03	BOLT HANDLE
KM04	EXTRACTOR
KM05	EXTRACTOR SPRING
KM06	ACTION BAR
KM07	BOLT HANDLE PIN SPRING
KM08	BOLT
KM09	EXTRACTOR PIN
KM10	LOCKING BLOCK
KM11	FIRING RETAINING PIN
KM12	EXTRACTOR SPRING PIN

## USAGE OF CHOKE TUBES

The choke is what controls the openness or tightness of the pattern of your shotgun. The chart below lists the choke available (from open to tight), and the corresponding marks that indicate the choke of your specific shotgun.

	SKEET	IC	M	IM	F	XF
CHOKE TUBE						
BBLs	CL	****	***	**	*	XF

Never fire or run gun cleaning tools through a barrel that uses choke tubes without having a choke tube installed. The threads of the choke tube and the internal threads of the barrel should be cleaned after each use and before installation of the tube.

To install a tube, insert the tube into the barrel and tighten with your fingers. Once the tube is finger tightened, tighten with the appropriate choke-tube wrench until the tube is snug. **DO NOT** over tighten or forcefully tighten with wrench.

## MAINTENANCE AND CLEANING

Caution: Make sure the gun is unloaded.

1. Make sure that the broad, polished, finely fitted mating surfaces of the breech block and receiver are especially clean and lightly oiled with a high quality gun oil. Do not use pure silicone or lanolin.

2. Run an oil patch through the bore with a cleaning rod starting from the breech end. To prevent leading, use a cleaning solvent and brass brush to clean the bore periodically. Follow this cleaning with one or two clean oil patches. Important: If your gun is equipped with choke tubes, do not use a brass brush to clean the barrels unless a choke tube is installed in each barrel. Barrels that utilize choke tubes must also have the choke tubes removed to clean and oil the threads inside the barrel and the choke tubes themselves. This will protect the threads from being damaged by cleaning tools and also prevent a dirt build up that would cause the choke tube to become difficult to remove from the barrel. Damage can result to choke tubes and barrel when attempting to remove sticky choke tubes.

Never fire your gun without choke tubes snugly tightened in barrels. Do not over tighten choke tubes. Wipe all exposed metal surfaces with an oiled cloth before storing. Do not squirt or pour oil into the inside mechanism because it may

hamper proper functioning and will soak the wood. After extended periods of heavy use, your gun should be taken to a qualified gunsmith to have the action disassembled for professional cleaning and lubrication.

3. Care for your wood stock and forearm the same way you would a piece of furniture with the same finish.

## STORAGE

Clean thoroughly and oil your gun before storage. Store the gun in a case to prevent scratches and dents. Store in a dry place to prevent corrosion. Store the gun away from children and in place where it cannot be obtained by those unauthorized to use it. Always store gun unloaded and separately from any ammunition.

## IMPORTANT

### USAGE OF STEEL SHOT

The choke (bore constriction) in all modern shotguns has been established based on the pattern performance of shot shells loaded with lead shot. When using the steel shot shells, you will notice a different performance in pattern density versus the established lead shot pattern, because the steel shot is harder and lighter than lead shot.

You should be aware of the following differences and cautions: Never shoot steel shot loads in a full choked barrel or full choke tubed barrel. To do so may cause the barrel to swell or rupture. In general, steel shot fired with a modified choke will produce the equivalent of a lead full choke pattern. This will be true of all steel shot sizes up to and including no. 2. The established improved cylinder chokes will produce the equivalent of a (lead) modified choke pattern.

All steel shot sized larger than no. 2, and including special sized such as -F-, "T", etc., should be used only with improved cylinder chokes. These steel shot sized, when used in improved cylinder chokes, will produce patterns equivalent to (lead) full choke patterns. The established cylinder choke or bore will produce the equivalent of a modified (lead) pattern.

Additional information concerning the use of steel shot is available from the best ammunition companies.

## PARTS

To order parts, please furnish the following information: Your name, address, telephone number, firearm serial number, maker and model. When we receive your request we will send you an order form and a parts breakdown with prices.

## SERVICE AGREEMENT AND LIMITED WARRANTY

Toros Arms Defence agrees to service its products free of charge for defects in materials and workmanship in accordance with the service agreement listed below. The obligation of Toros Arms Defence Industries under this agreement is limited to the repair or replacement of unserviceable parts and does not cover any incidental or consequential damages. Other than the express warranty contained herein Toros Arms Defence Industries makes no warranties, express or implied.

Toros Arms Defence will repair or replace any unserviceable part(s) for one (1) year from date of purchase and further will supply free parts (Wood not included) for an additional two (2) years in accordance with the above warranty statement provided your firearm had not been altered, abused, willfully damaged, or damaged by overpressure ammunition. This agreement is not transferable; its benefits apply only to the original purchaser.

To obtain free service during the time this agreement is in effect, make sure your firearm is unloaded, and send it to Toros Arms Defence Industries.

This agreement and the warranties contained herein are void if your registration card is not received with a copy of your sales slip within 30 days from date of purchase



NAME OF PURCHASER: .....

ADDRESS OF PRUCHASER: .....

CITY: ..... STATE: ..... ZIPCODE: .....

MOBILE PHONE: .....

PURCHASE DATE: .....

PRODUCT MODEL/NUMBER: .....

GAUGE: ..... SERIAL NUMBER: .....

PURCHASE PRICE: .....

STORE NAME: .....

SIGNATURE: .....











### **BE COURTEOUS**

When shooting or hunting always acquire the permission of the landowner. Respect the land. Do not litter, use gates when possible, leave open and closed gates closed. Drive vehicles only where advance permission has been granted any always express gratitude for use of another persons land. Offer your labor or game as repayment for the privilege of use. Remember you are helping develop a reputation for all sportsmen/sportswomen.



Gsm : +90 542 512 2860 Tel. : +90 332 512 2860  
Üzümlü Mah. 44776 Sok. NO:4B Beyşehir Konya/TURKEY  
Web : [www.torosarms.com](http://www.torosarms.com) E mail: [info@torosarms.com](mailto:info@torosarms.com)  
Export manager:  
[torosarms@gmail.com](mailto:torosarms@gmail.com) Export manager:[torosarmsexport@gmail.com](mailto:torosarmsexport@gmail.com)