

**⚠ WARNING:**

**BEFORE USING THIS FIREARM, READ AND FOLLOW THESE INSTRUCTIONS**

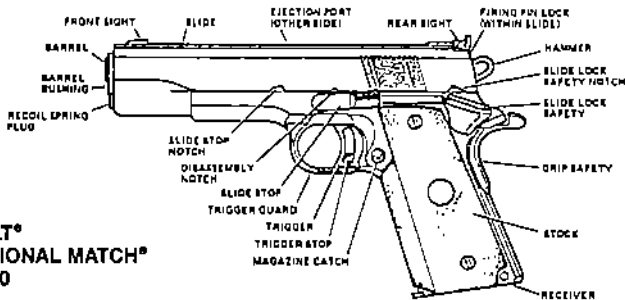
**If there is anything you do not understand, get help from someone qualified in the safe handling of firearms.**



**SAFETY  
AND  
INSTRUCTION  
MANUAL**

**MK IV/SERIES 80 PISTOLS:  
GOLD CUP NATIONAL MATCH®  
DELTA GOLD CUP™**

**Copyright © 1995 Colt's Manufacturing Company, Inc. All Rights Reserved.  
This instruction manual applies only to Colt Series 80 pistols, but does NOT apply  
to any other Colt pistol. It should always accompany this pistol.  
When you lend, give or sell this firearm, be sure this manual goes with it.**



**FIGURE 1—COLT®  
GOLD CUP NATIONAL MATCH®  
MK IV/SERIES 80**



**CAUTION: ALWAYS KEEP AND CARRY YOUR PISTOL EMPTY, WITH THE HAMMER FORWARD EXCEPT WHEN YOU INTEND TO SHOOT, so that your pistol cannot be fired when you do not mean to fire it.**



**CAUTION: USE ONLY CLEAN, DRY ORIGINAL HIGH QUALITY COMMERCIALLY MANUFACTURED AMMUNITION IN GOOD CONDITION which is appropriate to the caliber of your pistol—see following table and Section 3 Caution 14. And never carry the pistol with a round in the chamber until ready to shoot.**

**BARREL  
CHAMBERED FOR:**


**SUITABLE AMMUNITION**

	45 ACP	38 Super Auto	9mm Luger	10mm Auto	40 S&W
45 ACP	yes	no	no	no	no
38 Super Auto	no	yes	no	no	no
9mm Luger	no	no	yes	no	no
10mm Auto	no	no	no	yes	no
40 S&W	no	no	no	no	yes

READ AND UNDERSTAND ALL THE FOLLOWING PRECAUTIONS BEFORE REMOVING THIS FIREARM FROM ITS PACKAGE.

This Colt product is classified by the Alcohol, Tobacco and Firearms Division of the Internal Revenue Service, U.S. Treasury Department, as a firearm or dangerous weapon; it is, therefore, potentially lethal!

 **WARNING:** IF THIS FIREARM IS CARELESSLY OR IMPROPERLY HANDLED, UNINTENTIONAL DISCHARGE COULD RESULT AND COULD CAUSE INJURY, DEATH, OR DAMAGE TO PROPERTY.

 **CAUTION:** CAREFULLY READ THIS INSTRUCTION MANUAL WHICH GIVES BASIC ADVICE ON THE PROPER HANDLING AND FUNCTIONING OF THIS COLT FIREARM PRIOR TO LOADING AND FIRING. However, your safety and the safety of others (including your family) depends on your mature compliance with that advice, and your adoption, development and constant employment of safe practices.

If unfamiliar with firearms, seek further advice through safe handling courses run by your local gun clubs, NRA approved instructor, or similar qualified organizations.

## **NOTICE**

Colt shall not be responsible for injury, death, or damage to property resulting from either intentional or accidental discharge of this firearm, or from its function when used for purposes or subjected to treatment for which it was not designed. Colt will not honor claims involving this firearm which result from careless or improper handling, unauthorized adjustment or parts replacement, corrosion, neglect, or the use of wrong caliber ammunition, or the use of ammunition other than original high quality commercially manufactured ammunition in good condition, or any combination thereof. Colt will not honor claims involving this firearm for any reason or cause when such claims are made by the second or subsequent owner.

## **IMPORTANT**

Before it left the factory this firearm was tested, carefully inspected, and packaged. Colt cannot control product handling after it leaves the factory; therefore, please examine this firearm carefully at the time of purchase to insure that it is unloaded and undamaged. The dealer will be pleased to assist you in making this examination and endeavor to answer your further questions.

This instruction manual should always accompany this firearm. When you lend, give or sell this firearm, be sure this manual goes with it.

## LIST OF SECTIONS

SECTION	TITLE	PAGE	SECTION	TITLE	PAGE
1	<b>PRECAUTIONS</b>	1		Unloading	28
2	<b>Main Features</b>	4		To Unload	28
3	<b>Safety</b>			Sights	29
	<b>Instructions:</b>	6		Trigger Stop	31
	Cautions	6		Firing	32
	Safety Features:	14		To Fire	33
	Trigger Guard	15	5	<b>Maintenance:</b>	36
	Slide Lock Safety	15		Adjusting the Trigger Stop	36
	Grip Safety	16		Stripping for Cleaning	38
	Safety Stop on Hammer	17		Assembling after Cleaning	41
	Disconnecter	17		When to Clean	45
	Inertia Firing Pin	18		How to Clean	45
	Firing Pin Lock	18		Cleaning the Magazine	47
4	<b>Function:</b>	20		Storage	51
	Ammunition Selection	21		Servicing and Repair	51
	Loading	22	6	<b>Parts Illustration</b>	
	To Load a Magazine	22		<b>and List</b>	54
	To Load the Pistol	24	7	<b>The Customized Gun</b>	56
	Carrying Modes	26			

**SECTION 2****MAIN FEATURES**

The Colt Gold Cup National Match MK IV/Series 80 represents the ultimate in semi auto target pistols. Its development is the result of Colt's long and close association with serious target shooters who demand the satisfaction of extremely accurate range firing. Every effort has been made to incorporate those features which should make the difference at the firing line. Here are some of those features:

Pistol Type	Barrel Length	Finishes	Magazine Capacity	Sights
Gold Cup National Match 38 Super	5"	Colt Blue or Stainless Steel	9 rounds	} COLT Ellison™ adjustable rear. Fixed blade front. Sight radius 6 1/2".
9mm Luger	5"	Stainless Steel	9 rounds	
45 ACP*	5"	Colt Blue, Stainless Steel Nickel or Satin Nickel	7 rounds	
Delta Gold Cup 10mm	5"	Stainless Steel	8 rounds	COLT Accro® adjustable rear. Fixed blade front. Sight radius 6 1/2".

\*A lighter recoil spring, colored green, and a 7 round magazine is installed in 45 cal. National Match pistols to enhance semi-wadcutter feeding. An 8 round magazine and heavier recoil spring, not colored, are also provided with this pistol for use with higher pressure ammunition other than semi-wadcutter.

**NOTE:** These features may change, for example, with the introduction of a new caliber.

We want you to enjoy shooting with your Colt pistol, but we want you to enjoy it safely. You may be an experienced safe shooter already familiar with the procedures in this instruction manual, or you may never have handled a gun before. Either way we urge you to **READ THIS ENTIRE INSTRUCTION MANUAL CAREFULLY. YOU MUST FOLLOW THE SAFETY INSTRUCTIONS FOR YOUR SAFETY AND THE SAFETY OF OTHERS**



**WARNING:** When *you* squeeze the trigger, *you* must expect the gun to fire, and *you* must take full responsibility for firing it. *Your* care can avoid accidental discharge, and *you* will thereby avoid accidental injury and death.

### CAUTIONS:



#### GENERAL HANDLING CAUTIONS

1. ALWAYS HANDLE YOUR PISTOL AS IF IT WERE LOADED so that you never fire it accidentally when you think it is unloaded.
2. NEVER POINT YOUR PISTOL AT ANYTHING YOU DO NOT INTEND TO SHOOT so that if it fires accidentally, injury, death, or damage to property will be prevented.



3. **NEVER TAKE ANYONE'S WORD THAT A GUN IS UNLOADED;** check for yourself with fingers off the trigger and gun pointed in a safe direction, so that you never fire the gun accidentally when you think it is unloaded.
4. **ALWAYS MAKE SURE YOUR PISTOL IS NOT LOADED AND SLIDE IS LATCHED OPEN BEFORE LAYING IT DOWN, OR HANDING IT TO ANOTHER PERSON,** so that it cannot be fired when it is unsafe to do so.
5. **ALWAYS KEEP AND CARRY YOUR PISTOL EMPTY, WITH THE HAMMER FORWARD** except when you intend to shoot, so that your pistol cannot be fired when you do not mean to fire it.
6. **ALWAYS BE AWARE OF POSSIBLE RISK FROM DROPPING YOUR PISTOL.** Some parts of the mechanism could be damaged. You may not see the damage but if it is severe, the pistol may discharge and cause injury, death, or damage to property. If your pistol has been dropped, have it examined by a competent gunsmith before using it again.
7. **NEVER LEAVE PISTOL COCKED READY TO FIRE** as this condition is extremely dangerous, and pistol could easily be accidentally discharged, causing injury, death, or damage to property.

8. **NEVER LEAVE A LOADED PISTOL UNATTENDED.** Someone, especially a child, may fire it and cause injury, death, or damage to property.
9. **ALWAYS INSTRUCT CHILDREN TO RESPECT FIREARMS.** If you teach your children to shoot, teach them or get them trained by a qualified instructor to treat and use the pistol properly, and always supervise them closely. Always stress safety so that your children will not fire the pistol when it is unsafe to do so.



### **RANGE CAUTIONS**

10. **ALWAYS BE SURE YOUR BACKSTOP IS ADEQUATE** to stop and contain bullets before beginning target practice so that you do not hit anything outside the range shooting area.
11. **ALWAYS PUT A KNOWLEDGEABLE AND RESPONSIBLE PERSON IN CHARGE TO MAINTAIN SAFETY CONTROL WHEN A GROUP IS FIRING ON A RANGE.** Obey his commands so that discipline is maintained to reduce the likelihood of accidents.
12. **ALWAYS CARRY YOUR PISTOL EMPTY WITH SLIDE LATCHED OPEN WHILE ON A RANGE** until preparing to fire, keep it pointing towards the backstop when loading, firing and unloading, to eliminate the risk of injury, death, or damage to property.



### **LOADING CAUTIONS**

13. ALWAYS BE SURE BARREL BORE, CHAMBER AND ACTION ARE CLEAN AND CLEAR OF OBSTRUCTIONS. Clean a fouled pistol immediately so that it will function correctly and safely.

14. ALWAYS USE ONLY CLEAN, DRY, ORIGINAL HIGH QUALITY COMMERCIALY MANUFACTURED AMMUNITION IN GOOD CONDITION WHICH IS APPROPRIATE TO THE CALIBER OF YOUR PISTOL. (See inside front cover.) Gun and ammunition manufacturers design their products within exacting engineering safety limits. Handloads and remanufactured ammunition are sometimes outside those limits and can be so unsafe as to blow up the chamber, slide and receiver and cause injury, death, or damage to property.



### **SHOOTING CAUTIONS**

15. NEVER DRINK ALCOHOLIC BEVERAGES OR TAKE DRUGS BEFORE OR DURING SHOOTING, as your vision, coordination and judgment could be seriously impaired making your gun handling unsafe.

16. ALWAYS SEEK A DOCTOR'S ADVICE IF YOU ARE TAKING MEDICATION, to be sure you are fit to shoot and handle your pistol safely.

**17. ALWAYS WEAR AND ENCOURAGE OTHERS TO WEAR EAR PROTECTION WHEN SHOOTING,** especially on a range. Without ear protection, the noise of even one shot from your pistol, and other guns close to you, could leave a “ringing” in the ears for some time after firing, while the cumulative long term effect could be permanent hearing loss.

**18. ALWAYS WEAR AND ENCOURAGE OTHERS TO WEAR PROTECTIVE SHOOTING GLASSES.** Flying particles could damage eyes and cause blindness; but protective shooting glasses should prevent such injury.

**19. ALWAYS KEEP THE SAFETY ON WHEN PISTOL IS LOADED AND COCKED UNTIL YOU ARE READY TO FIRE.** This will minimize risk of an accidental discharge.

**20. ALWAYS KEEP CLEAR AND KEEP OTHERS CLEAR OF THE EJECTION PORT.** Spent cartridges are ejected with enough force to cause injury. The ejection port must also be unobstructed by your hand to insure safe ejection of live rounds. Never place fingers in ejection port; they could be burned by hot metal or injured by the slide moving forward.

**21. NEVER SQUEEZE THE TRIGGER OR PUT YOUR FINGER IN THE TRIGGER GUARD UNTIL YOU ARE AIMING AT A TARGET AND READY TO SHOOT.** This will prevent you firing the pistol when it is pointing in an unsafe direction.

**22. ALWAYS BE ABSOLUTELY SURE OF YOUR TARGET AND THE AREA BEHIND IT BEFORE YOU SQUEEZE THE TRIGGER.** A bullet could travel through or past your target up to 1½ miles . . . if in doubt, don't shoot. **THINK! What will you HIT if you MISS the target?**

**23. NEVER SHOOT AT A HARD SURFACE SUCH AS ROCK, OR A LIQUID SURFACE SUCH AS WATER.** A bullet may ricochet and travel in any direction to strike you, or an object you cannot see, causing injury, death, or damage to property.

**24. NEVER DISCHARGE A FIREARM NEAR FLAMMABLE MATERIAL.** Flame and sparks erupt from the firearm when discharged. They could start a fire or cause flammable liquids and gases to explode.

**25. NEVER FIRE YOUR PISTOL NEAR AN ANIMAL** unless it is trained to accept the noise; an animal's startled reaction could injure it or cause an accident

**26. NEVER INDULGE IN "HORSEPLAY" WHILE HOLDING YOUR PISTOL as it may be accidentally discharged.**

**27. NEVER WALK, CLIMB OR FOLLOW A COMPANION WITH YOUR PISTOL COCKED READY TO FIRE, out of its holster, or with the hammer in any position other than forward on an empty chamber, to eliminate risk of accidental discharge. When hunting, hold your pistol so that you can always control the direction of the muzzle.**



### **MALFUNCTION CAUTIONS**

**28. FAILURE TO FIRE: ALWAYS HOLD THE PISTOL, KEEPING IT POINTED TOWARD THE TARGET OR A SAFE OPEN AREA AND WAIT 30 SECONDS when the pistol fails to fire. If a hangfire (slow ignition) has occurred, round will fire within 30 seconds. If round does not fire, remove magazine, eject round and examine primer; if firing pin indent or primer is light, off center, or non-existent, have the pistol examined by a competent gunsmith before firing again. If firing pin indent on primer appears normal (in comparison with similar previously fired rounds) assume faulty ammunition; segregate misfired round from other live ammunition and empty cases, reload and carry on firing.**

**NOTE:** Dispose of misfired rounds in accordance with ammunition manufacturer's instructions.

**29. NEVER USE YOUR PISTOL IF IT FAILS TO FUNCTION PROPERLY, AND NEVER FORCE A JAMMED ACTION,** as a round may explode causing serious injury, possible death, or severe damage to your pistol.

**30. IF AT ANY TIME THE TRIGGER STOP PREVENTS PISTOL FIRING, THE SEAR COULD BE PARTIALLY ENGAGED AND PISTOL COULD FIRE IF JARRED WHILE TRIGGER IS PULLED OR IF TRIGGER IS FORCED.** Keep pistol pointing toward the target. Release trigger and unload immediately as previously described. Adjust the trigger stop as in Section 5.



### **CLEANING AND STORAGE CAUTIONS**

**31. ALWAYS MAKE SURE YOUR PISTOL IS NOT LOADED BEFORE CLEANING, STORING, TRAVELING, LAYING IT DOWN, OR HANDING IT TO ANOTHER PERSON,** so that it cannot be fired when it is unsafe to do so.

**32. ALWAYS KEEP AND STORE YOUR PISTOL AND AMMUNITION IN SEPARATE LOCKED RECEPTACLES OUT OF REACH AND SIGHT OF CHILDREN AND UNTRAINED PEOPLE,** to minimize the risk of pistol and ammunition being easily available for loading and firing.



## **GUN ABUSE CAUTIONS**

**33. NEVER ABUSE YOUR PISTOL** by using it for any purpose other than shooting.

**34. NEVER DRY FIRE THE PISTOL WHEN THE SLIDE IS REMOVED FROM THE RECEIVER,** and do not alter parts as the level of safety could be reduced.

**NOTE:** Please note that we have chosen to use the word "SQUEEZE" in this instruction manual instead of "PULL" or "PRESS" when trigger movement is described; this is simply to remind you of the need for a gentle squeezing action to achieve accuracy.

## **SAFETY FEATURES**

The Colt Gold Cup National Match MK IV/Series 80 and Delta Gold Cup pistols incorporate several positive safety devices which, if properly employed, can minimize the danger of accidental firing. These safety devices are described on the following pages.



## Trigger Guard

The Trigger Guard is a metal loop around the trigger to protect it from damage and to help prevent accidental discharge.

## Slide Lock Safety

The Slide Lock Safety is located on the left rear of the pistol just below the slide. With hammer fully cocked and Slide Lock Safety applied, upper part of Slide Lock Safety engages slide lock notch to prevent rearward movement of slide, while an internal cam surface engages the sear to prevent forward hammer movement when trigger is squeezed. This safety device can be applied only when the slide is fully forward and hammer is fully cocked.

To apply Slide Lock Safety, point pistol in safe direction, keep fingers outside trigger guard, pull slide fully to rear and allow it to return sharply forward, leaving hammer in fully cocked position. Press up on Slide Lock Safety until it fully engages slide lock notch (See Figure 2). When the Slide Lock Safety is down, the sear is free to release the hammer to fire the pistol when it is properly gripped and the trigger is squeezed.

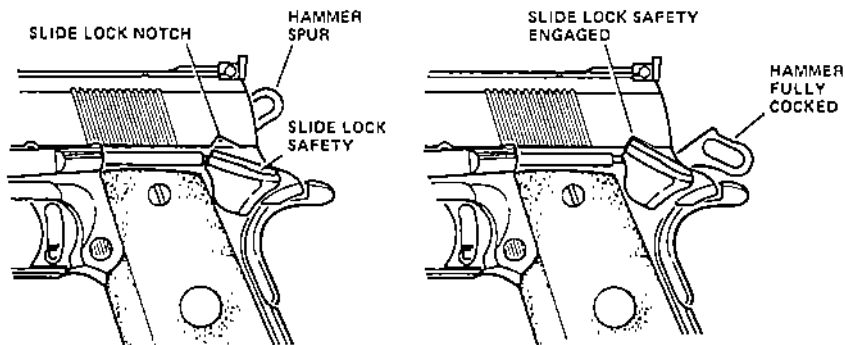


FIGURE 2—SLIDE LOCK SAFETY

## Grip Safety

The Grip Safety is located on the upper rear part of the receiver (See Figure 1). The Grip Safety is automatically applied by spring action to prevent rearward travel of trigger unless pistol grip is firmly and properly grasped. The front of the Grip Safety (inside the pistol frame) contacts rear of trigger to prevent its rearward movement. When the pistol grip is positively grasped, the Grip Safety is rotated out of contact with rear of trigger to allow trigger movement.

## Safety Stop on Hammer

The Safety Stop is a flat, shelf-like surface on the hammer which functions as an automatic safety device. It will engage the sear in the unlikely event of primary sear notch failure. This will prevent the hammer from falling fully forward unintentionally and will insure against uncontrolled automatic fire. It also prevents the hammer from striking the firing pin should your hand slip from the slide or hammer while cocking the pistol, provided the hammer is rotated past the Safety Stop. It is located such that when the sear engages the Safety Stop, the sear can be disengaged by squeezing the trigger to allow the hammer to fall forward. By design, the hammer will fall forward off the Safety Stop when the trigger is pulled. *The Safety Stop is not a manual safety and should not be engaged by hand.*



**CAUTION: CONTROL HAMMER WITH YOUR THUMB AND ALWAYS POINT PISTOL IN A SAFE DIRECTION WHEN SQUEEZING THE TRIGGER TO LOWER THE HAMMER. This will avoid accidental injury in the unlikely event of pistol discharge.**

## Disconnecter

This safety device prevents a round being fired before it is in the chamber with slide and barrel locked. When slide is not fully forward the Disconnecter

is depressed; its lower part disengages the sear, so that hammer cannot be released if the trigger is squeezed. However, when slide and barrel are locked, a spring pushes the Disconnector up into a recess in the slide; this links trigger and sear so that the pistol can be fired by squeezing the trigger.



**CAUTION: NEVER ATTEMPT TO CHECK OR DEMONSTRATE THE DISCONNECTOR FUNCTION WITH A LOADED PISTOL. Pushing on the muzzle with your hand or any other portion of the body is extremely dangerous and could result in accidental discharge causing injury, death, or damage to property.**

### Inertia Firing Pin

The Firing Pin, which is shorter than its housing, is held to the rear by a spring and cannot protrude through face of slide unless a hammer blow overcomes the spring force and the inertia of the pin.

### Firing Pin Lock

The Firing Pin Lock engages the firing pin to prevent its movement until the trigger is squeezed. Housed in the slide, the Firing Pin Lock is spring loaded into engagement with the firing pin to prevent it striking the cartridge primer. Squeezing the trigger moves two levers to disengage the Firing Pin Lock

before the sear releases the hammer to strike the firing pin and discharge the pistol. This safety device minimizes the risk of accidental discharge through mishandling such as when a loaded pistol is dropped or receives a blow to the muzzle.

**IMPORTANT:** These safety devices are designed and installed in this pistol to prevent accidental discharge. Of course, this Colt pistol is designed primarily to discharge bullets, and it will do this efficiently when it is loaded and you squeeze the trigger. *Always expect the gun to fire when you squeeze the trigger.*

A Colt MK IV/Series 80 semi-automatic pistol is ready to fire when a loaded magazine is inserted into the pistol, the slide pulled back to cock hammer, and released to travel forward and feed a round from the magazine into the chamber. Final forward slide movement locks barrel and slide together and deactivates the disconnecter.

When pistol stock is grasped, the grip safety is released so that trigger may now be squeezed. When the trigger is squeezed the trigger bar lever acts on the plunger lever to disengage the firing pin lock just before the sear disengages from the hammer. The hammer pivots forward under the force of the mainspring to strike the rear of the firing pin. The firing pin is driven forward to strike primer in base of cartridge.

The energy imparted to the primer ignites it; the primer in turn ignites the main powder charge which, in burning, rapidly generates extremely high gas pressure to drive the bullet down the barrel. Rifling grooves in the barrel impart stabilizing spin to the bullet so that it will follow a more accurate path to the target when it leaves the muzzle.

Force rearward on the slide breech face starts slide and barrel on their rearward travel; however, the slide unlocks from the barrel only after gas pressure is reduced to a safe level. Rearward slide travel depresses the disconnecter, carries spent cartridge rearward on extractor until base of cartridge is struck by ejector to propel it through ejection port.

Slide movement continues under momentum to fully cock the hammer. If last round has been fired, the magazine follower will activate the slide stop to hold slide to rear, but if a round remains in magazine, the slide will move forward to feed and lock the next round in the chamber. The trigger must be released and squeezed again to fire the next round.

## **AMMUNITION SELECTION**


Colt firearms are designed to function with a variety of brands and types of factory-manufactured ammunition in the appropriate caliber; but not all ammunition produces the same results. Colt recommends that after you read and understand the manual, you go to the range and fire different ammunition which is appropriate to the caliber of your firearm. Once you find the ammunition which functions best, keep using it. Do not load damaged ammunition, particularly if it has dents and scratches around the primer.

Semi-wadcutter ammunition will feed best in 45 cal. National Match pistols when the lighter recoil spring, colored green, and the 7 round magazine are used. When firing higher pressure ammunition, other than semi-wadcutter, the heavier recoil spring, not colored, will reduce felt recoil and minimize wear in the pistol.


**NOTE:** Extensive use of +P ammunition will accelerate wear in your pistol.

### **LOADING**

 **CAUTION:** TO MINIMIZE RISK OF UNINTENTIONAL DISCHARGE, LOAD LIVE AMMUNITION INTO PISTOL ONLY WHEN YOU INTEND TO SHOOT, AND THEN KEEP AN EMPTY CHAMBER UNDER THE HAMMER.

 **CAUTION:** ALWAYS EXERCISE EXTREME CARE TO KEEP MUZZLE POINTING IN A SAFE DIRECTION, WELL CLEAR OF YOUR BODY, particularly when loading and unloading.

#### **To Load A Magazine:**

-  1. **CAUTION:** READ SAFETY INSTRUCTIONS (Section 3).
2. Use only ammunition recommended inside front cover of this instruction manual as suitable for your pistol. **Examine the ammunition, particularly**



on and around the primer. Look for dents, scratches, and other signs of damage. Do not load damaged ammunition. When loading 45 cal. semi-wadcutter ammunition, use the 7 round magazine and remember that the lighter recoil spring, colored green, should be installed in the pistol. The 45 cal. 8 round magazine may be used for ammunition other than semi-wadcutter.

3. With open end uppermost, grasp magazine in one hand. Place a round on magazine follower with base just forward of retaining lips (see Figure 3). Press round down and back until base of round touches rear flat edge of magazine. Place next round on top of previous round and press down and back. Repeat until magazine is loaded, but do **NOT** exceed its capacity. For magazine capacity, see Section 2—Main Features.



**CAUTION:** TO MINIMIZE RISK OF UNINTENTIONAL DISCHARGE, LOAD LIVE AMMUNITION INTO PISTOL ONLY WHEN YOU ARE ABOUT TO SHOOT.

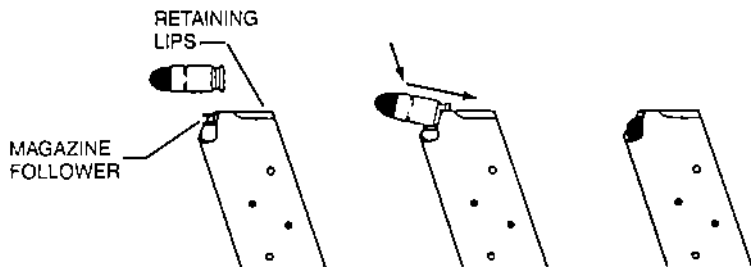


FIGURE 3—LOADING MAGAZINE

**To Load The Pistol:**



1. **CAUTION:** READ SAFETY INSTRUCTIONS (Section 3)—KEEP PISTOL POINTING IN SAFE DIRECTION AND DO NOT TOUCH THE TRIGGER.

2. Remove magazine from pistol. Place your hand under magazine to prevent it from falling. Press magazine catch (located on left of pistol behind trigger guard) to drop the magazine out of the magazine well. (See Figure 4)

3. Hold pistol by stock with one hand. Keep other hand clear of ejection port and grasp serrated finger grips on both sides of slide. Pull slide back slightly and LOOK IN CHAMBER TO ENSURE IT IS EMPTY; allow slide to return forward. (If slide was fully to rear, release cocked hammer by squeezing trigger after ensuring chamber is empty.)

4. Insert loaded magazine into magazine well with bullets pointing forward. Push magazine fully "home" until magazine catch is heard to "click" locking it in place.

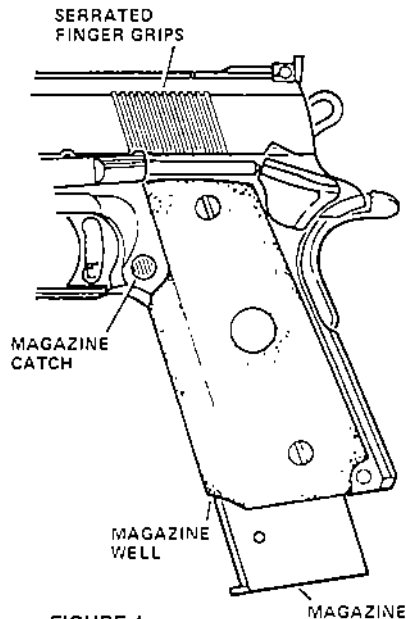


FIGURE 4—  
MAGAZINE PARTIALLY INSERTED

SAFETY DEPENDS ON YOU

**IMPORTANT:** Do not strike base of magazine to drive it home—just push it firmly into pistol. Otherwise, you could damage magazine and injure your hand.

5. When you are ready to shoot, grip the slide as described in Step 3 and pull it fully rearward to cock the hammer. Release slide to feed a round from the magazine into the chamber. **THE PISTOL IS NOW LOADED, COCKED AND READY TO FIRE.**

6. Apply slide lock safety by pushing it up to prevent the hammer falling forward if trigger is moved.



**CAUTION: NEVER LEAVE PISTOL COCKED AND READY TO FIRE (as in Step 5) as this condition is extremely dangerous; pistol could easily be accidentally discharged, causing injury, death, or damage to property.**

## **CARRYING MODES**

**NOTE:** This pistol may be carried in any one of the following three modes according to your needs:

- Mode 1: — MAGAZINE EMPTY, CHAMBER EMPTY.  
— Pistol cannot be discharged.  
— Use Mode 1 for storage, transporting, cleaning, repair, demonstrating and dry practice.
- Mode 2: — MAGAZINE LOADED, CHAMBER EMPTY, HAMMER DOWN.  
— Pistol cannot be fired until slide is cycled and trigger is squeezed.  
— Use Mode 2 when CARRYING THE PISTOL READY FOR USE.
- Mode 3: — MAGAZINE LOADED, CHAMBER LOADED, HAMMER COCKED, SAFETY ON.  
— Pistol can be fired when slide lock safety is off and trigger is squeezed.  
— Use Mode 3 when you MUST BE PREPARED to use the pistol IMMEDIATELY without warning.



**WARNING:** When *you* squeeze the trigger, *you* must expect the gun to fire, and *you* must take full responsibility for firing it. *Your* care can avoid accidental discharge, and *you* will thereby avoid accidental injury and death.



## **UNLOADING**


**CAUTION:** ALWAYS UNLOAD YOUR PISTOL IMMEDIATELY AFTER USE AND BEFORE CLEANING AND STORAGE to minimize the risk of accidental discharge.

### **To Unload:**

1. Be sure you are familiar with Safety Instructions in Section 3. **Keep pistol pointing in a safe direction, do not touch trigger and always keep hands away from muzzle and ejection port.**
2. Place hand under magazine to prevent it from falling and press magazine catch to release and eject magazine.

**NOTE:** If slide is fully rearward, Step 3 does not apply.

3. Using serrated finger grips pull slide sharply rearward to extract and eject a round from the chamber. Keep your hands clear of the ejection port to allow round to eject without obstruction. Examine previously chambered round for dents or other damage; if damaged, dispose of it as explained in Paragraph 7.

 **4. CAUTION: KEEP PISTOL POINTING IN A SAFE DIRECTION WHILE YOU LOOK IN THE CHAMBER TO ENSURE IT IS EMPTY AND SEE THAT MAGAZINE HAS BEEN REMOVED.**

5. Keep pistol pointing in a safe direction, allow slide to return forward on empty chamber and squeeze the trigger to allow hammer to fall forward. (If slide is held to rear by the slide stop, pull slide back slightly, then release it.)

6. Remove remaining live rounds by sliding them forward out of the magazine.

7. Collect undamaged live ammunition for safe storage and future use. Collect spent cartridge cases for disposal. **Segregate misfired and damaged live ammunition for disposal according to ammunition manufacturer's instructions.**

## **SIGHTS**

All Colt Gold Cup National Match pistols are equipped with an adjustable rear sight. Most have the "Colt Elliason" (Figure 5), while the Delta Gold Cup has the Colt Accro (Figure 6). You must look at the directional arrows alongside the windage and elevation screws to make adjustments in the right direction. Adjustments for other than windage and elevation should not be made by inexperienced shooters.

### Colt Elliason - Figure 5

With a target at 50 yards, adjusting the windage screw one click to the right (clockwise) will move the sight to the right and the point of bullet impact 1/2 inch to the RIGHT. One click of the elevation screw to the right (clockwise) will move the sight DOWN and point of bullet impact 3/8 inch DOWN.

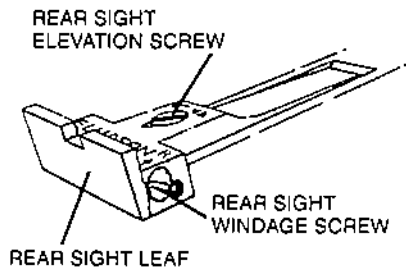


FIGURE 5—  
COLT-ELLIASON REAR SIGHT

### Colt Accro - Figure 6

With a target at 50 yards, adjusting the windage screw one click to the right (clockwise) will move the sight to the LEFT and the point of bullet impact 1 inch to the LEFT. One click of the elevation screw to the right (clockwise) will move the sight DOWN and point of bullet impact 3/4 inch DOWN.

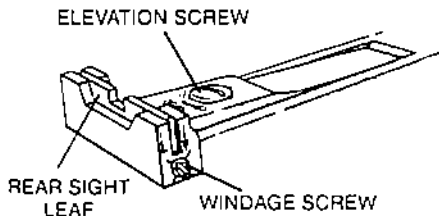


FIGURE 6—  
COLT ACCRO REAR SIGHT



## TRIGGER STOP

Another unique feature of this pistol is the trigger stop (See Figure 7), which slows and stops your finger travel smoothly without disturbing your aim when squeezing the trigger. Adjustment instructions are included in Section 5.

**CAUTION:** IF AT ANY TIME THE TRIGGER STOP PREVENTS PISTOL FIRING, THE SEAR COULD BE PARTIALLY ENGAGED AND PISTOL COULD FIRE IF JARRED WHILE TRIGGER IS PULLED OR IF TRIGGER IS FORCED. Keep pistol pointing toward the target. Release trigger and unload immediately as previously described. Adjust trigger stop as described in Section 5.

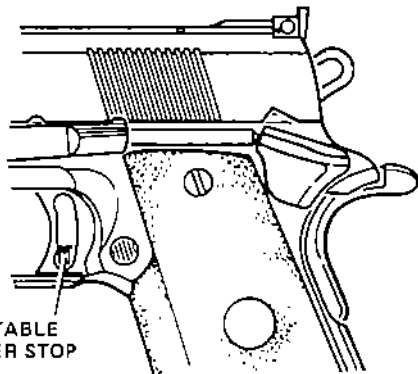


FIGURE 7—TRIGGER STOP

## **FIRING**

Before firing your Colt pistol, practice your stance, aim, rhythm and breathing for steady aim with your pistol UNLOADED.

Practice firing on a range before going hunting or using your pistol for any other type of shooting.

### **CAUTIONS:**

- 1. ALWAYS WEAR AND ENCOURAGE OTHERS TO WEAR EAR PROTECTION WHEN SHOOTING, especially on a range. Without ear protection, the noise of just one round from your pistol, and other guns close to you, could leave a “ringing” in your ears for some time after firing, while the cumulative long term effect could be permanent hearing loss.**
- 2. ALWAYS WEAR AND ENCOURAGE OTHERS TO WEAR PROTECTIVE SHOOTING GLASSES. Flying particles could damage eyes and cause blindness; but protective shooting glasses should prevent such injury.**

**To Fire:**



1. **CAUTION: READ SAFETY INSTRUCTIONS (Section 3)—KEEP PISTOL POINTING IN SAFE DIRECTION AND DO NOT TOUCH THE TRIGGER.**

2. Load pistol as previously described.

3. Grasp pistol by stock and, with index finger resting along the outside of trigger guard, take aim. Aim by aligning target with front and rear sights. (See Figure 8) After identifying your target and seeing that it is clear to shoot, focus on the front sight. Be sure you have a safe backstop. **THINK!** What will you **HIT** if you **MISS** the target?

4. Release Slide Lock Safety by pressing down out of engagement with slide lock notch.

5. Keeping steady aim while focusing on the front sight, place index finger on

REAR SIGHT      FRONT SIGHT

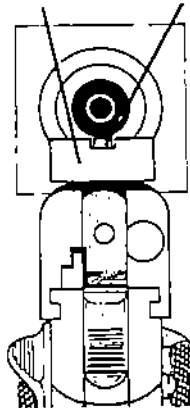


FIGURE 8—AIMING

trigger and squeeze gently until hammer falls. Don't jerk the trigger as you will disturb your aim and spoil your accuracy. To fire the second and subsequent rounds, all that is necessary is to release the trigger and squeeze it again after every shot until you have completed firing.

6. THIS IS A SEMI-AUTOMATIC PISTOL AND IS IMMEDIATELY LOADED AND COCKED READY TO FIRE AGAIN AFTER EACH SHOT UNTIL THE MAGAZINE IS EMPTY.

NOTE: This pistol can be fired without a magazine in place.

7. Release trigger, remove index finger from trigger, and apply Slide Lock Safety by pushing it up into the slide lock notch. However, if you have fired the last round from the magazine the slide will stay to the rear and you will be unable to apply the Slide Lock Safety.




**CAUTION: IF PISTOL FAILS TO FIRE, HOLD IT, KEEPING IT POINTED TOWARD THE TARGET OR SAFE OPEN AREA AND WAIT 30 SECONDS. If a hangfire (slow ignition) has occurred, round will fire within 30 seconds. If round does not fire, remove magazine, eject round and examine primer. If firing pin indent on primer is light, off center or non-existent, have pistol examined by a competent gunsmith before firing again. If firing pin on primer appears normal (in comparison with**

similar previously fired rounds) assume faulty ammunition; segregate misfired round from other live ammunition and empty cases; reload and carry on firing.

NOTE: Dispose of misfired rounds in accordance with the ammunition manufacturer's instructions.

-  **8. CAUTION: KEEP PISTOL POINTING IN A SAFE DIRECTION. Unload as previously described.**

**IMPORTANT:** If you cock your pistol but do not fire it, apply Slide Lock Safety until ready to fire. If you lose the opportunity to fire, unload your pistol as previously described. Remember, if a round is in the chamber there is a risk of accidental discharge.

-  **CAUTION: NEVER LEAVE PISTOL COCKED READY TO FIRE as the fire condition is extremely dangerous, and pistol could easily be accidentally discharged causing injury, death, or damage to property.**

Like any other precision mechanism, your pistol will function better, last longer, and remain safer when it is properly maintained. Follow the advice in this section to keep your pistol in peak competitive condition. Keep your pistol clean and properly lubricated to prolong its reliable life.

**CAUTIONS:**

1. **ENSURE THAT MAGAZINE IS REMOVED AND THE PISTOL IS NOT LOADED BEFORE STRIPPING AND CLEANING**, so that pistol will not fire.
2. **WEAR SAFETY GLASSES** in case you lose control of some spring loaded component such as the recoil spring or plug which could injure your eyes.
3. **NEVER DRY FIRE THE PISTOL WHEN THE SLIDE IS REMOVED FROM THE RECEIVER**, and do not alter parts as the level of safety could be reduced.

**ADJUSTING THE TRIGGER STOP**

**NOTE:** Adjustment should rarely be necessary.

1. When adjustment is necessary, ENSURE PISTOL IS NOT LOADED and be sure you are familiar with the Safety Instructions in Section 3.
2. Remove magazine, fully cock the pistol and allow slide to return forward. Squeeze trigger—if hammer falls proceed with Step 3; if hammer fails to fall proceed with Step 4. (See Figure 9)
3. Using the trigger stop adjustment wrench (provided), rotate the trigger stop  $\frac{1}{8}$  turn counterclockwise when viewed from the rear of the pistol, and repeat Step 2 above until the hammer falls to fall.
4. With hammer fully cocked and normal finger pressure on trigger, very slowly rotate trigger stop clockwise until hammer falls.
5. Cock pistol and squeeze trigger to check that hammer falls again, then rotate trigger stop  $\frac{1}{2}$  turn clockwise and remove trigger stop adjustment wrench.

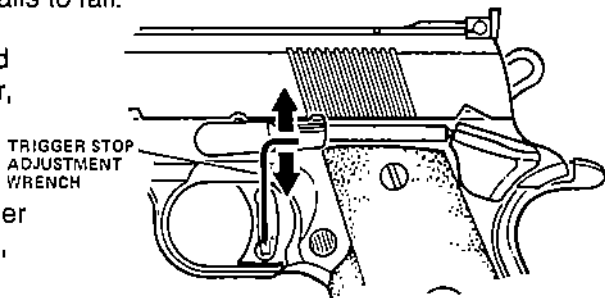


FIGURE 9—ADJUSTING TRIGGER STOP

6. Dry fire pistol about 25 times to ensure hammer falls every time the trigger is squeezed. (Dry firing is cocking and snapping hammer by squeezing the trigger when pistol is NOT LOADED. But never dry fire when the Slide is removed from the receiver.)



**CAUTION:** IF STOP IS ADJUSTED TOO CLOSELY, TRIGGER PULL WILL BE GREATLY INCREASED, AND THE PISTOL MAY FAIL TO FIRE WHEN NORMAL TRIGGER PULL IS APPLIED. IN THIS CONDITION THE SEAR COULD BE PARTIALLY ENGAGED AND PISTOL COULD FIRE IF JARRED WHILE TRIGGER IS PULLED OR IF TRIGGER IS FORCED. This must be corrected by adjustment of the trigger stop.

**NOTE:** Force is unnecessary and should never be used to strip or assemble your pistol.

## **STRIPPING FOR CLEANING**

1. Ensure magazine is removed and pistol is NOT loaded. Be sure you are familiar with the Safety Instructions in Section 3.
2. With muzzle pointing upward, rest pistol on heel of butt and "grip safety" on a table or bench.



3. Push slide back about ¼ inch, press down on recoil spring plug (located just below muzzle) and at same time rotate barrel bushing clockwise about ¼ turn, using barrel bushing wrench if necessary; this will free plug and recoil spring. Keep pressure on plug to prevent it being ejected by the spring, then allow plug and spring to gradually extend out of the slide. (See Figure 10)

4. Rotate plug counterclockwise and remove from spring.

5. Cock hammer by pulling back on hammer spur.

6. Pull slide to rear until lug on slide stop is opposite disassembly notch (See Figure 11) and push rounded end of pin of slide stop (on right of receiver) inward and through receiver to disengage slide stop from slide.

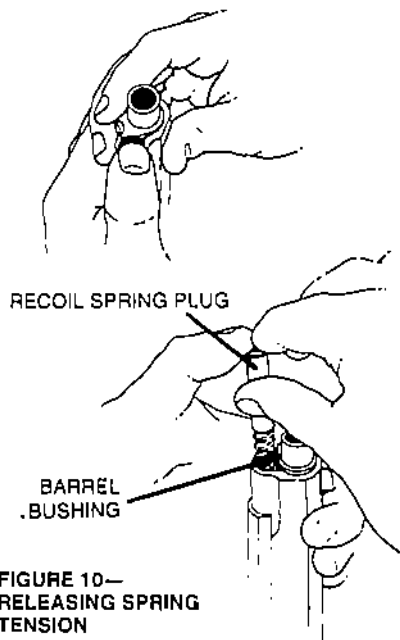
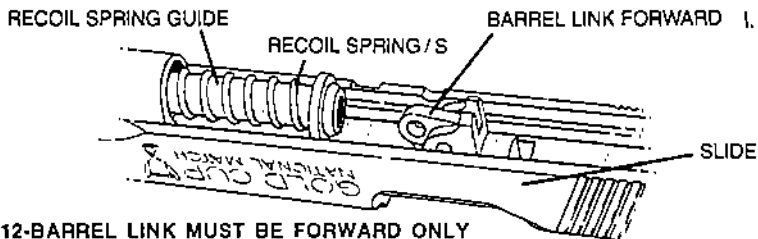
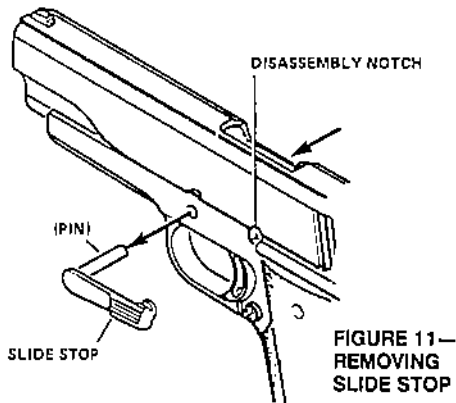


FIGURE 10—  
RELEASING SPRING  
TENSION

**SAFETY DEPENDS ON YOU**

7. Lift out slide stop. (See Figure 11)
  8. Pull receiver to rear and off the slide.
  9. Lift recoil spring/s and guide and pull them rearward out of slide. (See Figure 12)
- Note: Delta Gold Cup has 2 recoil springs.
10. Turn barrel bushing counterclockwise, push barrel bushing forward until bushing is clear of slide, then remove bushing from barrel.
  11. Push link forward and remove barrel from front of slide.



**FIGURE 12—BARREL LINK MUST BE FORWARD ONLY FOR BARREL TO BE REMOVED AND ASSEMBLED THROUGH THE SLIDE.**

**IMPORTANT:** Do not strip your pistol further than previously described. Do not remove or alter parts, particularly safety parts. If additional maintenance is required, see "Service and Repair" later in this instruction manual.

### **ASSEMBLING AFTER CLEANING**

1. With slide upside down and barrel link forward, assemble barrel into the slide, as in Figure 12.
2. (See Figure 13). Place barrel bushing over muzzle of barrel and into slide until it is flush with the face of the slide, (Step 1). Turn bushing clockwise as far as it will go, (Step 2).
3. Place the recoil guide into the recoil spring/s so that the closed end of the spring/s are up against the collar of the guide.  
**Note:**The Delta Gold Cup has 2 springs and both are installed (Remember also that a 45 cal. National Match pistol has a choice of springs; install the lighter (green) spring when planning to fire semi-wadcutter

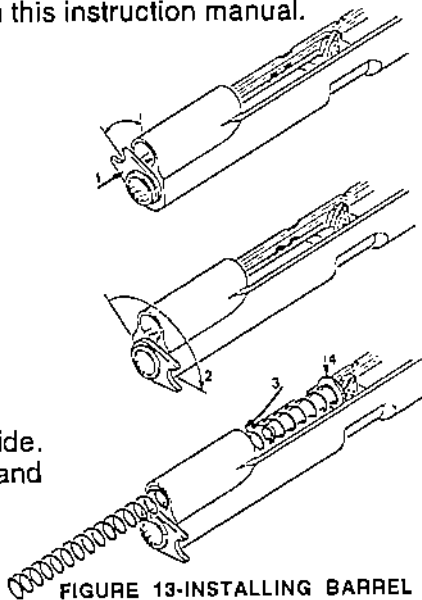


FIGURE 13-INSTALLING BARREL BUSHING AND RECOIL SPRINGS

**SAFETY DEPENDS ON YOU**

ammunition. Install the other one, instead, to reduce recoil and wear from firing higher pressure ammunition.)

4. Assemble the recoil spring/s and guide into the slide by pushing the open end of the spring/s through the slide from the rear, (Step 3). Position the arched portion of the recoil spring guide over the outside surface of the barrel, (Step 4).

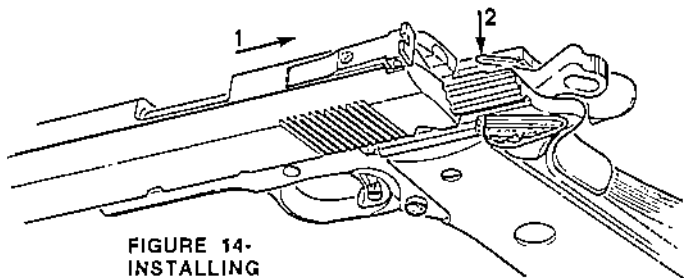


FIGURE 14-  
INSTALLING  
SLIDE

5. Cock the hammer. Look at the top of the receiver and make sure the plunger lever is down (forward), tip the receiver forward to keep it down as you run the slide onto the receiver; see Figure 14.

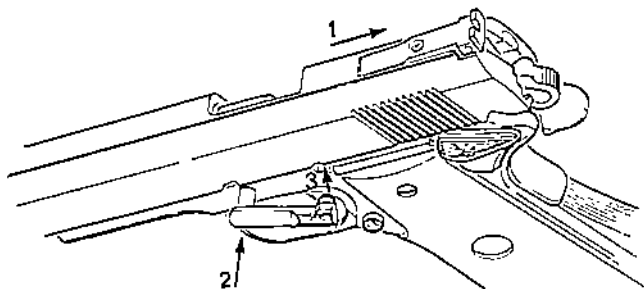


FIGURE-15  
INSTALLING  
SLIDE STOP

6. Look through the slide stop hole in the side of the receiver. Move the slide along the receiver until you see the hole in the barrel link line up with the hole in the side of the receiver. Insert the slide stop through the hole until it is almost home; see Figure 15.

7. Continue pushing the slide rearward until the disassembly notch lines up with the rear part of the slide stop. Now push the slide stop up and in against the slide stop plunger until the slide is fully home.

8. Rest pistol on table or bench with muzzle pointing upward.

9. Push slide back about 1/4 inch, press down recoil spring plug, compressing the recoil spring into the slide until the plug is fully home, then rotate the barrel bushing. Align the arched part of the bushing so that it straddles the recoil spring plug and locks it in place.

10. After assembling the pistol, exercise the slide a few times by pulling it fully rearward and allowing it to slam forward on an empty chamber.

11. Open and lock the slide open, then look in the ejection port to ensure that the firing pin is not sticking forward through the hole in the middle of the breech face. You should not be able to see the firing pin. If you do find the firing pin sticking forward or if at any time your pistol discharges when you close the slide, return it to Colt's factory.



**CAUTION: WHILE UNLIKELY BUT POSSIBLE THE FIRING PIN MAY STICK FORWARD. IF YOU FIND IT STICKING FORWARD, DO NOT LOAD OR ATTEMPT TO FIRE THE PISTOL. If you attempt to close the slide on a loaded chamber when firing pin is sticking forward, the pistol may discharge.**

## WHEN TO CLEAN

You should clean your pistol as soon after firing as possible so that the job will be easier and there will be less opportunity for corrosion to start. When your pistol has not been fired, clean it periodically; we suggest once or twice a year in a temperate climate, or as often as once a month in a tropical climate. If you carry a loaded pistol, UNLOAD it and clean it at least once a month. If you get your pistol wet, clean it as soon as possible.


## HOW TO CLEAN AND LUBRICATE

The following cleaning procedure may be used both periodically and after firing; however, those items marked "\*" are unnecessary for periodic cleaning.

**Materials:** Cleaning rod, cotton flannel patches (cut to fit snugly into the bore), a small toothbrush, good quality light gun oil, \*gun cleaning solution, and \*a brass wire bristle bore cleaning brush.

**NOTE:** In freezing conditions (below 32°F or 0°C) avoid the use of oil for lubrication; instead apply dry lubricant sparingly.

### **Procedure:**

- 
1. **CAUTION: ENSURE THAT THE PISTOL IS NOT LOADED.**
  2. Strip for cleaning as previously described.

SAFETY DEPENDS ON YOU

**NOTE:** Avoid contact between cleaning rod and muzzle as resultant wear will reduce accuracy.

3. Attach cotton flannel patch to end of cleaning rod, insert it in breech and pass rod and patch down through barrel. Repeat, changing patches until last patch comes out clean.
4. Visually inspect barrel; if it is clean, proceed directly to Step 7, but if it remains dirty, continue with Step 5.
5. **\*(NOTE: This item should be applicable only after firing.)** Attach brass wire bristle brush to cleaning rod and dip brush in gun cleaning solution. Thoroughly scrub out barrel, passing the brush all the way through before reversing the movement. If you try to change direction with brush in barrel, the brush will stick.
6. Repeat Steps 3 and 4 above.
7. Clean rear face of barrel and face of slide, using a small toothbrush.
8. Lightly moisten a flannel patch with gun oil and pass it once through barrel, leaving a thin film of oil on the inside surface. Leave this film of oil on the inside surface if pistol is to be stored. If it is not to be stored, or if it is being removed from storage for use, pass a dry patch through barrel to remove as much oil as possible.



9. Check that flannel or brush bristles have not become lodged in any part of pistol, then wipe all external surfaces with a flannel patch lightly moistened with gun oil. (See note on cold weather lubrication.)
10. Reassemble pistol as previously described.
11. Again wipe external surfaces with oil moistened patch to remove any finger prints. (Finger moisture, if left, could start a corrosion process.) (See note on cold weather lubrication.)
12. Remove any gun cleaning solution and oil from the stock.

### **CLEANING THE MAGAZINE**

It is advisable to clean the magazine(s) whenever the pistol is cleaned. To do so, remove the magazine follower and spring and clean all components, taking care to remove carbon deposits from the lips of the magazine and the magazine follower. Wipe components with lightly oiled cloth and reassemble.

The 10mm and 40 S&W magazines are disassembled from the bottom while magazines for most other calibers are disassembled from the top.

## 10mm and 40 S&W Caliber Magazines (See Figure 16)

The 10mm and 40 S&W magazines have a removable base.

**To remove** the base, push in the base lock which sticks out through a hole in the base, and slide the base off towards the front of the magazine. Then remove the base lock by sliding it towards the front of the magazine.

The spring and follower can now be removed through the bottom of the magazine.

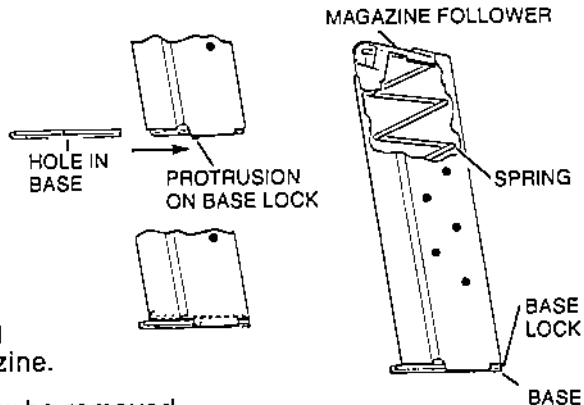


FIGURE 16-MAGAZINE ASSEMBLY WITH REMOVABLE BASE

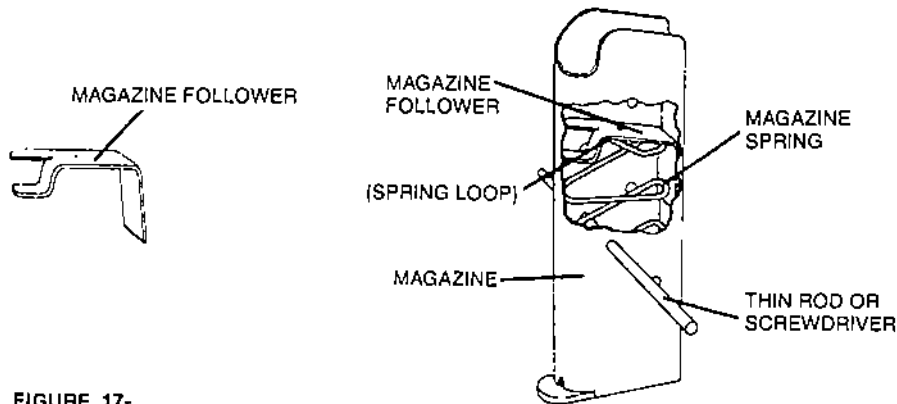
**To assemble** this magazine, insert the follower and spring through the bottom of the magazine. Be sure that the top coil of the spring is installed towards the front of the magazine. Compress the spring and slide the base lock under the two tabs on the bottom of the magazine. Depress the base lock and slide the base under the two tabs and towards the rear of the magazine. Carefully align the protrusion on the base lock with the hole in the base until the base lock sticks out through the hole.

### **Magazines For Most Other Calibers (See Figure 17)**

**To remove** this magazine follower and spring, depress them with a piece of wood (pen or pencil) about two inches into the magazine and insert a thin rod (small screwdriver) through the lower of the front two holes in the magazine body. This will hold the spring under tension.

Turn the magazine upside down and lightly tap it so that the follower falls away from the spring; lift out the follower from the magazine body. Push down on the spring to take up the spring tension, remove the thin rod and allow the spring to extend, then remove it completely.

**To assemble** this magazine, place the spring correctly oriented, i.e. with loop uppermost pointing forward into the magazine body, compress the spring and insert a thin rod as for dismantling. Place the follower in the magazine, take up the spring tension, remove the thin rod and allow the spring to reassert its influence on the follower.



**FIGURE 17-  
MAGAZINE ASSEMBLY WITHOUT  
REMOVABLE BASE**



## **STORAGE**

**CAUTION:** ALWAYS UNLOAD YOUR PISTOL FOR STORAGE AND STORE AMMUNITION SEPARATELY. Keep and store your pistol and ammunition securely locked and in separate locations out of reach and sight of children. (Children are naturally curious and do not always believe the real danger of guns).

**NOTE:** Remove your pistol from its holster at the end of the day. Do not store your pistol in an air-tight container, and do not seal or attempt to seal the barrel to exclude dust, as the internal steel surface is more likely to corrode. Use the Colt packaging case to carry and store your EMPTY pistol.

## **SERVICING AND REPAIR**

Should your pistol require adjustment, or repair, make sure it is NOT LOADED and send it to Colt's. For spare parts, seek advice from the Dealer who should have up to date information on how best to obtain genuine Colt parts.

An illustration and list of part names are included in the next section of this instruction manual to help you identify the part you need, but it is important to note that all parts are not available for sale. Those parts which are available

should be installed by Colt's or by a competent gunsmith. When ordering parts, please give part name as given on the Parts List. Also give the caliber, model name, serial number and metal finish of your pistol.

**IMPORTANT:** If you make unauthorized adjustments or use unauthorized parts, Colt will not assume responsibility for the functioning of this pistol.

THIS GUN IS MANUFACTURED TO PERFORM PROPERLY WITH THE ORIGINAL PARTS AS DESIGNED. IT IS YOUR DUTY TO MAKE SURE ANY PARTS YOU BUY ARE INSTALLED CORRECTLY AND THAT NEITHER REPLACEMENTS NOR ORIGINALS ARE ALTERED OR CHANGED. This is why we say return it to Colt's. YOUR GUN IS A COMPLEX TOOL WITH MANY PARTS THAT MUST RELATE CORRECTLY TO OTHER PARTS. PUTTING A GUN TOGETHER WRONG OR WITH MODIFIED PARTS CAN RESULT IN A DAMAGED GUN, DANGER, AND INJURY OR DEATH TO YOU AND OTHERS THROUGH MALFUNCTION. ALWAYS LET A QUALIFIED GUNSMITH WORK ON YOUR GUN AND CHECK ANY WORK YOU THINK WAS NOT PERFORMED BY A GUNSMITH. We at Colt think this is a small price to pay for firearms safety.

**NOTE:** Various Federal and State laws and local ordinances govern the transfer and transportation of firearms, so take the advice of the Dealer in your state on how to send your firearm to Colt's. Before shipping your pistol, here are some important points to remember:



**1. CAUTION: MAKE SURE THAT THE MAGAZINE AND PISTOL ARE NOT LOADED.**

2. Write a letter explaining the problem and your requirements in as much detail as possible. Include the model name and serial number of your pistol together with your return address, then enclose it with the empty pistol in the Colt packaging case or a well padded package.

3. Do not send presentation boxes, accessories or ammunition.

4. Colt's address for receiving packages is: CMCI  
Talcott Road  
West Hartford, CT 06110

5. Do not indicate the contents, or include "COLT" in the address on the package so that an inquisitive thief is not attracted to it by such information.

6. Insure the package contents against loss or theft.

**SECTION 6****PARTS ILLUSTRATION AND LIST**

This section is provided so that you may identify names of parts for your own interest. However, for adjustment, repair, or spare parts information, see Section 5—"Servicing and Repair".

**DESCRIPTION**

- |                        |                                      |   |                                 |
|------------------------|--------------------------------------|---|---------------------------------|
| 1. Barrel              | 20. Magazine Catch                   | 40. Recoil Spring<br>(2 different springs for Delta Gold Cup)<br>(Choice of springs for 45 cal. National Match) |                                 |
| 2. Barrel Bushing      | 21. Magazine Catch Lock              | 41. Recoil Spring Guide   |                                 |
| 3. Barrel Link         | 22. Magazine Catch Spring            | 42. Recoil Spring Plug  | A1. Rear Sight Elev. Screw      |
| 4. Barrel Link Pin     | 23. Magazine Follower                | 43. Safety Lock   | A2. Rear Sight Det. Ball (2)    |
| 5. Disconnecter        | 24. Magazine Spring                  | 44. Safety Lock Plunger   | A3. Rear Sight Det. Spring      |
| 6. Ejector             | 25. Main Spring                      | 45. Sear  | A4. Rear Sight Leaf             |
| 7. Ejector Pin         | 26. Main Spring Cap                  | 46. Depressor   | A5. Rear Sight Windage Screw    |
| 8. Extractor           | 27. Main Spring Cap Pin              | 47. Depressor Spring  | A6. Rear Sight Windage Spring   |
| 9. Firing Pin          | 28. Main Spring Housing (flat)       | 48. Sear Pin  | A7. Rear Sight Blade            |
| 10. Firing Pin Plunger | 29. Main Spring Housing Pin          | 49. Sear Spring   | A8. Rear Sight Elev. Screw Pin  |
| 11. Firing Pin Spring  | 30. Main Spring Housing Pin Retainer | 50. Slide   | A9. Rear Sight Leaf Pin         |
| 12. Firing Pin Stop    | 31. Plunger Lever                    | 51. Slide Stop  | A10. Rear Sight Elev. Screw (2) |
| 13. Front Sight        | 32. Plunger Spring                   | 52. Slide Stop Plunger  | B1. Magazine Base Lock          |
| 14. Grip Safety        | 33. Plunger Spring F/P               | 53. Stock Set   | B2. Magazine Base               |
| 15. Hammer             | 34. Plunger Tube                     | 54. Stock Screw (4)   |                                 |
| 16. Hammer Pin         | 35. Rear Sight Leaf Pin              | 55. Stock Screw Bushing(4)  |                                 |
| 17. Hammer Strut       | 36. Rear Sight Leaf                  | 56. Trigger Assembly  |                                 |
| 18. Hammer Strut Pin   | 37. Rear Sight Elevation Screw       | 57. Trigger Bar Lever   |                                 |
| 19. Magazine Assembly  | 38. Rear Sight Elevation Spring (2)  | 58. Trigger Stop  |                                 |
|                        | 39. Receiver                         |   |                                 |





Our Colt Custom Shop offers a wide range of special services such as engraving, inlaying and special serializing to the same high standard of quality long synonymous with the name "COLT". Sometimes modifications, which meet our customer's special requirements, necessitate deviations from standard design and manufacturing tolerances which result in functional differences from a standard gun. Consequently, this instruction manual does not apply to a customized gun unless its applicability has been confirmed by the Colt Custom Shop. For further information, write to Colt Custom Shop, P.O. Box 1868, Hartford, Connecticut 06144-1868, USA.

**CONVERSION UNITS...IMPORTANT.** You may eventually decide to purchase a colt 22, 9mm or other caliber Conversion Unit for your series 80 pistol. When you do, NOTE that only a Colt Series 80 Conversion Unit is compatible with it. Do NOT install an incompatible Conversion Unit on a Series 80 pistol because the combination may render the firing pin safety inoperable. If in doubt get advice from Colt's.

## **FIREARM RECORD**

Colt Model \_\_\_\_\_

Serial No. \_\_\_\_\_

Caliber \_\_\_\_\_

Purchased  
from \_\_\_\_\_


Date  
Purchased \_\_\_\_\_

Purchase  
Price \_\_\_\_\_

## **WARRANTY STATEMENT**

Based on Magnuson-Moss Warranty Act, Colt offers no express warranty on its product line. However, Colt recognizes its obligations concerning implied warranty. Colt also stands behind its product as it has historically, and will continue to provide service to its product line as it has over the years. Colt products will be serviced for a period of one year from date of retail purchase, for defects in materials or workmanship, at no charge to the purchaser. Be sure to retain your sales slip as proof of purchase date when making a claim.

## **HEALTH AND ENVIRONMENTAL WARNING**

 Discharging firearms in poorly ventilated areas, cleaning firearms, or handling ammunition may result in exposure to lead and other substances known to cause birth defects, reproductive harm, cancer, and other serious physical injury. Have adequate ventilation at all times. Wash hands thoroughly after exposure.

## NOTES

SAFETY DEPENDS ON YOU

## NOTES

If your instruction manual becomes lost or destroyed, obtain a replacement by writing to **Colt's Manufacturing Company, Inc., Box 1868, Hartford, Connecticut 06144-1868, USA** or call **1-800-962-COLT**. Make a note of the address. When requesting a manual, include the information which is on the left side of your firearm together with its serial number or quote the Part No. as shown on the back cover of this manual.



, the Rampant Colt figure, Gold Cup National Match®, and all other Colt trademarks are the exclusive property of Colt's Manufacturing Company, Inc. For permission to reprint for noncommercial instructional purposes, prior approval from Colt's is required.

This instruction manual should always accompany this firearm. When you lend, give or sell this firearm, be sure this manual goes with it.



### **Avvertimento Italiano**

Se c'è qualcosa che non riuscite a capire, rivolgetevi a qualcuno che sia qualificato nel maneggiare in maniera sicura le armi da fuoco.

### **Advertencia en Español**

Para cualquier aclaración de esta manual, consulte con alguna persona perita en el manejo seguro de armas de fuego.

### **Message Secutaire en Francais**

Pour tous renseignements complementaires, veuillez consulter un armurier qualifie dans le manlement de cesarmes.

### **Deutsche Sicherheitshinweise**

Sollten Sie noch weitere Fragen haben, wenden Sie sich bitte an einen Waffenspezialisten.

### **FUNDAMENTAL NRA RULES FOR SAFE GUN HANDLING**

- 1. ALWAYS KEEP THE GUN POINTED IN A SAFE DIRECTION.**
- 2. ALWAYS KEEP YOUR FINGERS OFF THE TRIGGER UNTIL READY TO SHOOT.**
- 3. ALWAYS KEEP THE GUN UNLOADED UNTIL READY TO USE.**