



A. Uberti S.p.A.

Via Artigiani, 1 - Gardone V.T. (Brescia) - ITALY

Instruction Manual

BEFORE REMOVING THE FIREARM FROM THIS PACKAGE,
READ & UNDERSTAND THE PRECAUTIONS IN THE
INSTRUCTION MANUAL

1873 MODEL SPORTING RIFLES & CARBINE

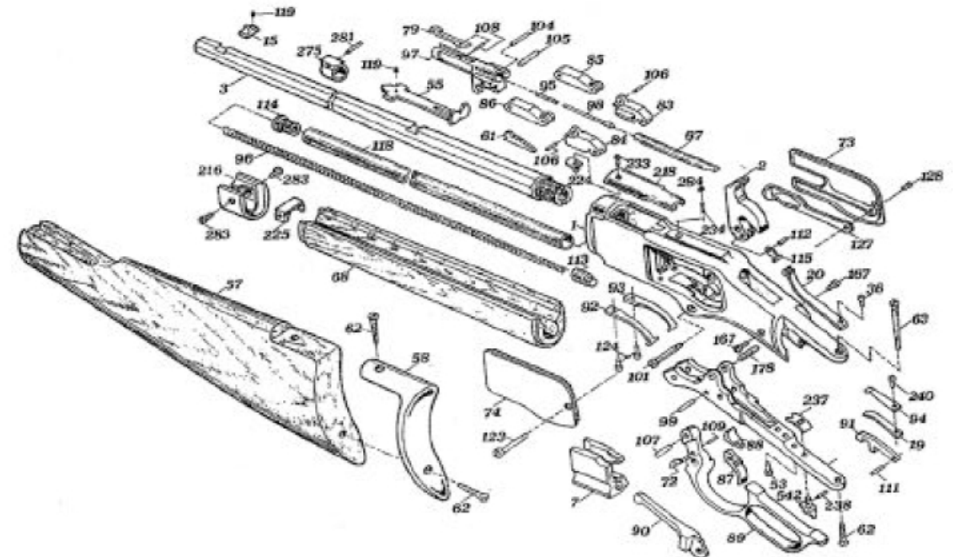
SPECIAL SAFETY INSTRUCTIONS

- 1) Uberti lever action rifles should never be carried with a cartridge in the chamber.
- 2) Carrying this style of rifle with a cartridge in the chamber can result in an accidental discharge if the firearm is accidentally dropped or if the hammer is struck.
- 3) The lever locking mechanism is designed to prevent an accidental discharge. However, no mechanical device is foolproof and, accordingly these procedures must be followed.
- 4) Due to the fact that in a tubular magazine rifle the cartridges are stacked one behind the other, only factory ammunition should be used.
- 5) We recommend against using old ammunition in these rifles as primers, powder and brass cartridge cases can deteriorate and cause damage to the rifle or injury to the shooter or others.
- 6) Uberti assumes no liability for incidents occurring through the use of reloaded ammunitions.

Use ONLY COMMERCIALY loaded cartridges that have been loaded in accordance with SAAMI-C.I.P. standards.

N.	Code No.	Q.ty	Description	N.	Code No.	Q.ty	Description
1	0220001	1	Frame .38Sp Assy (1 + 73 + 74)	109	0200109	1	Cam Lever Pin
2	0200002	1	Hammer Assembly	112	0200112	1	Hammer Link Pin
3	0252003	1	Barrel .38 Sp. 24 1/4"	113	0220113	1	Magazine Follower .38Sp - 32/20
7	0220007	1	Carrier Block .38Sp - 32/20	114	0230114	1	Magazine Tube Plug
10	0200010	1	Trigger	115	0200115	1	Hammer Link
15	0202015	1	Sight	118	0232118	1	Magazine Tube (Polished)
19	0200019	1	Trigger Spring	119	0400592	2	Rear Screw
20	0200020	1	Main Spring	123	0200123	1	Side Plate Screw
36	0200036	1	Main Spring Screw	124	0200124	2	Lever Spring Screw
55	242055	1	Rear Assembly	127	0220127	1	Ladle
57	0202057G	1	Rough Butt Stock	128	0220128	1	Ladle Screw
57	0202057	1	Polished Butt Stock and Butt Plate	216	0202216	1	Forend Protection
58	0202058	1	Butt Plate (Rough)	225	0202225	1	Forend Protection Bearing
61	0242061	1	Rear Sight	237	0200237	1	Lever Hook Spring
62	0200062	2	Butt Plate Screw	239	0230062	1	Triggerguard Screw
63	0200063	1	Tang Screw	263	0200263	1	Trigger Spring Screw
67	0200067	1	Firing Pin Extension	275	0202275	1	Magazine Tube Bearing
68	0202068G	1	Rough Forend	281	0202281	1	Magazine Tube Bearing Pin
68	0202068	1	Polished Forend	283	0202283	2	Forend Protection Screw
72	0200072	1	Cam Lever	542	0200542	1	Hook Lever
73	0220073	1	Right Side Plate (Rough)	552	0070035	1	Hook Lever Spring Screw
74	0200074	1	Left Side Plate (Rough)				
79	0220079	1	Extractor .38Sp - 32/20				
83	0220083	1	Right Rear Link Assembly (83 + 85)				
84	0220084	1	Left Rear Link Assembly (84 + 86)				
85	0220085	1	Right Front Link				
86	0220086	1	Left Front Link				
89	0200089	1	Lever				
90	0200090	1	Lifter Arm				
92	0200092	1	Right Lever Spring				
93	0200093	1	Left Lever Spring				
95	0070016	1	Firing Pin Spring				
96	0230096	1	Magazine Spring				
97	0220097	1	Breech Block .38Sp - 32/20				
98	0220098	1	Firing Pin				
99	0200099	1	Trigger Pin				
100	0200100	1	Hammer Pin Screw				
101	0200101	1	Lever Screw				
104	0200104	1	Firing Pin Stop				
105	0200105	2	Rear Link Pin				
106	0200106	2	Link Pin				
107	0200107	1	Lever Pin				
108	0220108	1	Extractor Pin				

ALTERNATIVES COD. 0217 - 0219 - 0221 - 0224 - 0225 - 0226 - 0227 - 0229							
0231 - 0232 - 0234							
1	0230001	1	Frame .44/40-45LC Assembly (1+ 73+74)				
3	0262003	1	Barrel .45 Colt 24 1/4" (Mod.0229)				
3	0242003	1	Barrel .44/40 24 1/4" (Mod.0232)				
3	0249003	1	Barrel .44Sp 24 1/4" (Mod.0219)				
3	0264003	1	Barrel .38/40 24 1/4" (Mod.0224)				
3	0255003	1	Barrel .32/20 24 1/4" (Mod.0226)				
3	0295003	1	Barrel 20" .44 Sp. (Mod.0217)				
3	0221003	1	Barrel 20" .38 Sp. (Mod.0221)				
3	0263003	1	Barrel 20" .36/40 (Mod.0225)				
3	0293003	1	Barrel 20" .32/20 (Mod.0227)				
3	0241003	1	Barrel 20" .44/40 (Mod.0231)				
3	0281003	1	Barrel 20" .45 LC (Mod.0234)				
7	0230007	1	Carrier Block .44Sp-.44/40-.45LC-.38/40				
79	0230079	1	Extractor .44Sp-.44/40-.45LC-.38/40				
97	0230097	1	Breech Block .44Sp-.44/40-.45LC-.38/40				
108	0230108	1	Extractor Pin .44/40-.45 Colt				
113	0230113	1	Magazine Follower .44Sp-.44/40-.45LC-.38/40				
118	0241118	1	Magazine Tube Short 20"				



SAFETY MANUAL

This Manual Should Always
Accompany this Firearm
and Be Transferred With It
Upon Change of Ownership



SAFETY INSTRUCTIONS

Whether you are an experienced safe shooter and are familiar with these safety instruction procedures, or have some or no familiarity with handling a gun, it is imperative that you read carefully and thoroughly this entire instruction manual and follow the safety instructions to ensure you are familiar with the proper and safe use of this firearm to prevent personal injury, death, or property damage.

CAUTIONS:

- Before shooting, learn this gun's mechanical and handling characteristics; read and be thoroughly familiar with these safety instructions. If you do not fully understand any of the instructions in this manual, consult a competent firearms instructor through your local gun club or the NRA in Washington or you can write to us at A. Uberti S.p.A.
- Always point the gun in a safe direction, and handle it as though it were loaded. This is especially important when loading and unloading the gun, and when handing it to someone else. Never take someone's word that it is unloaded. Always check it yourself with your fingers off the trigger and the gun pointed in a safe direction.
- Always keep the safety on until you are ready to safely shoot at an intended target (see safety features). Note: Safety devices on guns are extras and are not a substitute for your proper and safe handling practices. While at a shooting range, always carry the gun unloaded and open until preparing to shoot. Keep it pointing in a safe direction when loading, shooting and unloading.
- Never drink alcoholic beverages or take any drugs before or during shooting, as this not only constitutes criminal disregard for your safety and that of others, but will seriously impair your judgment and vision. Moreover, never use a gun while you are taking medication unless you have checked with your doctor to ensure your fitness to handle the gun safely.
- Always wear and encourage others near you to wear proper ear protection when shooting, especially on a range since the noise from your gun, and other guns close to you, could result in a humming or ringing sound in an exposed ear for some time after firing. Repeated exposure to shooting noise could result in permanent hearing loss.
- Always wear protective shooting glasses to protect your eyes from injury by gun powder, gas, lubricant, dirt or metallic particles, carbon residue, sparks or other debris.
- Always check the barrel bore, chamber and action to ensure they are perfectly clean and clear of obstructions. Clean a fouled gun immediately for correct and safe function.
- Do not smoke while handling, loading or shooting any ammunition, especially black powder. Keep black powder in a closed container at all times, reclosing the container after each and every use.
- Always use only good condition, undamaged, clean, dry, original high quality, commercially manufactured ammunition of a reputable company which is appropriate for the gun's caliber. Ammunition which is too small can fall forward and become a barrel obstruction. Manufacturers design guns and ammunition within exacting engineering

- safety limits. Since handloads are often outside those limits, they are not to be used.
- Always use an individual charge from a powder measure when loading a muzzleloading gun, never charging directly from a powder flask.
- When selecting a place to shoot, always be absolutely sure of your target and the area behind it before you touch the trigger, making sure there is an adequate backstop which will stop and contain bullets. A bullet can travel through or past your target up to 1 1/1 miles. If you have any doubt, do not shoot.
- Never shoot at flat or hard surfaces such as rock, or at water. A bullet may ricochet and travel in unpredictable directions to strike you, or an object you cannot see, causing injury, death, or property damage.
- Never shoot the gun near an animal, as the animal could be startled and create an accident.
- Never engage in "horseplay" while holding your gun.
- Never run, cross obstacles such as streams or ditches, or climb a fence or tree with a loaded gun.
- Never follow a companion with your gun loaded.
- Place the hammer forward only when you are ready to shoot. Never place or permit the hammer to remain in the half-cock notch as this is not a safe carrying position. You might end up accidentally perching the hammer on the lip of the halt cock notch, which is extremely dangerous. The hammer in this condition could fall forward and discharge the gun, causing injury, death, or property damage.
- Do not put your finger inside the trigger guard until you have aimed the gun at the intended target and are imminently ready to safely shoot.
- Always be aware of other people around you. Keep spectators or others to your rear. Keep hands and face clear and keep others clear of the ejection port as ejected spent cartridges can cause injury.
- Always use extreme care with a misfire or failure to fire. Keep the gun pointed in a safe direction and wait one full minute. This is because if hangfire or slow ignition has occurred, the round will still fire. If the round fails to fire after waiting, remove the magazine, eject the round and examine the primer. Immediately refer to a competent gunsmith if you notice the firing pin indent on the primer is light, off-center, or does not exist. Dispose of misfired rounds according to the ammunition manufacturer's instructions.
- Immediately cease shooting if your gun fails to properly function. Never force a jammed action, which can cause a round to explode and cause personal injury, death, or damage to your gun or other property.
- Never leave a gun, especially a loaded gun, unattended as someone, especially a child, could accidentally shoot it causing injury, death, or property damage.
- Never keep a loaded gun in a vehicle, or carry it loaded.
- Make sure your gun is not loaded before cleaning, storing, traveling, laying it down, or handing it to another person.
- Never store the gun loaded. Always store the gun and ammunition separately in locked gun safes, away from children's reach and sight, minimizing the risk that the gun and ammunition could be easily loaded and fired.
- Black powder and percussion caps must be stored in separate locations, preferably in their original containers.
- Discharging firearms in poorly ventilated areas, cleaning firearms, or handling ammunition may result in exposure to lead and other substances known to cause birth defects, reproductive harm, and other serious physical injury. Have adequate ventilation at all times. Wash hands thoroughly after exposure.

PRECAUTIONS

Read and understand all the following precautions before removing this firearm from the package.

The United States I.R.S., B.A.T.F. and treasury department classifies this product as a firearm or dangerous weapon; therefore, it is potentially lethal.

WARNING: Careless and improper handling of this gun could result in unintended discharge causing injury, death or property damage. Safety must be the first and constant consideration when handling a firearm and ammunition.

CAUTION: Prior to removing this gun from its packaging, and prior to loading and shooting, carefully and thoroughly read this entire instruction manual which advises on the gun's proper functioning and handling. If you are unsure of anything, or have little experience or are unfamiliar with firearms, contact your local gun club, NRA approved instructor, or directly contact the National Rifle Association, Washington, D.C. 20036. Firearm safety is your responsibility and your safety and that of your family and others depend on your responsible, safe use.

NOTICE - DISCLAIMER OF LIABILITY

A. Uberti S.p.A. shall not be responsible for product malfunction or for physical injury, death, or property damage from the gun's intentional or accidental discharge, its criminal or negligent use, improper or careless handling, unauthorized modifications, corrosion or other failure to maintain, use of defective, improper, hand-loader or reloaded ammunition, or other than original, good condition, high quality, commercially manufactured ammunition, or from its use for purposes or subjection to treatments for which it was not designed. A. Uberti S.p.A. will not honor claims made by the second or subsequent owners of the firearm. While this firearm was tested, carefully inspected, and packaged before it left the factory, A. Uberti S.p.A. cannot thereafter control product handling. Please be sure to examine this firearm carefully when purchased to ensure it is unloaded and undamaged. Your gun dealer will assist you in making this examination and answer any further questions in this regard.

AMMUNITION

AMMUNITION WARNING: Since your gun has been designed for specific caliber ammunition, use only commercially manufactured ammunition which pressure cannot be higher than the ones stated by SAAMI or C.I.P. standards. Factory ammunitions must be in excellent condition, of original high quality, and specifically recommended for the gun and nothing else. Never use reloaded or hand-loaded ammunitions. Never carry the gun with a round in the chamber until ready to shoot.

SAFETY FEATURES

Safety devices, if used properly, can help minimize the danger of accidental firing.

NOTE: Read carefully your instruction manual on how to operate the safety devices on your gun. Safety devices on guns are extras and are not a substitute for your proper and safe handling practices.

AMMUNITION

- Use only commercially manufactured ammunition which pressure cannot be higher than the ones stated by S.A.A.M.I. or C.I.P.
- Your gun has been designed for ammunition of a specific caliber - do not alter the barrel, chamber, caliber for which you gun was designed. Be sure you never mix ammunition.
- Use only ammunition specifically recommended for your firearm. (Proper Ammunition specified on barrel and cylinder).
- The use of reloaded Ammunition voids the warranty.

OUR COMPANY DECLINES RESPONSIBILITY FOR ALL DAMAGES DERIVED BY USAGE OF RELOADED AMMUNITION.

WARRANTY NOTICE!!

CHARCOAL BLUE FINISH: Derives its name from the high-temperature fire bluing process involved in attaining the deep royal blue color. Charcoal Blue is **more delicate than standard blue:** the gun must be constantly oiled and with use will become a desirable smoke gray "patina" finish as on an antique gun.

NICKELPLATED FINISH: This nickel plated finish is a superficial electrolytic process: these nickel plated firearms, after firing, the muzzle crown of the barrel and the cylinder may begin to show wear on close inspection. This is due to usage and is unavoidable.



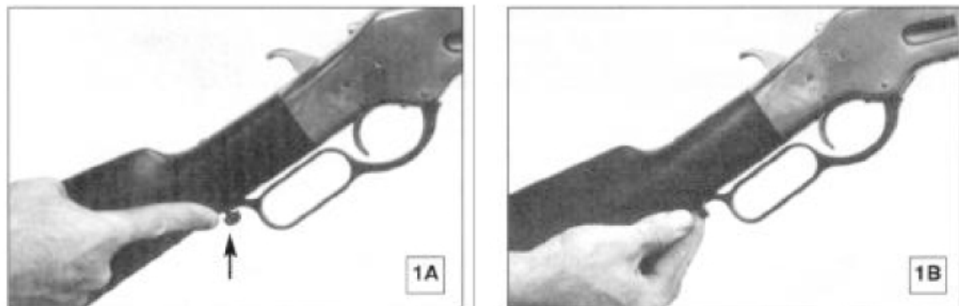
A. Uberti S.p.A.

25063 Gardone V.T. (Brescia) Italy - Via Artigiani,
I Phone +39.030.83 41 800 - Telefax +39.030.83 41 801
E-mail: info @ubertireplicas.it
www.ubertireplicas.com

TO LOAD THE FIREARM

(1) Turn the lever locking latch to the release position.

Releasing the latch should allow the lever to go down approximately 1/2". Do not push the lever forward. (Photos 1 A-1 B).



(2) Load the tubular magazine by pressing the cartridge into the ladle, which is located on the right side of the receiver. Push the cartridge forward and insert it into the tubular magazine (Photo 2).



When loading cartridges through the ladle, leave the rim of each cartridge protruding sufficiently to hold the ladle open.

When loading the last cartridge, insert it fully into the magazine thereby allowing the ladle to close. For optimum reliability, only load 10 cartridges in the 24" rifle. Models equipped with the 30" barrel should be limited to 12 cartridges. Overloading the magazine may result in improper feeding.

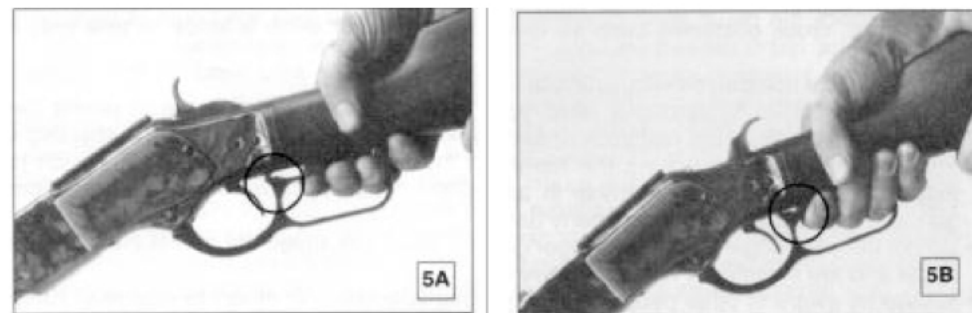
(3) When you are ready to actually fire the firearm, the lever is pushed forward as far as it will go and is then pulled straight back. Your finger should **NOT TOUCH THE TRIGGER** while manipulating the lever. (Photo 3).



The rifle will now be fully cocked and will fire when the trigger is pulled. If the lever does not go forward, release the loading lever latch by turning the small knob perpendicular to the rifle.

(4) These firearms have been equipped with an additional safety system, which should prevent the firearm from firing until the lever is squeezed flush with the frame. This safety, however, is not designed to replace basic safe firearms handling. Accordingly, **NEVER** touch the trigger until you intend to fire. (Photos 5A-5B).

(5) After you have fired the first shot, the next cartridge is loaded by repeating step 3.



UNLOADING THE FIREARM

(6) To unload the firearm it is essential that the lever not be squeezed flush with the frame, as doing so would disengage the safety lock.

(7) With the firearm pointed in a safe direction, place your fingers through the rear portion of the loading lever. Be sure your first and second fingers are inside the lever loop. **DO NOT TOUCH THE TRIGGER.** Then push the lever straight forward and then pull it back. The cartridge that was in the chamber should be automatically ejected by the firearm and another cartridge from the magazine will be automatically loaded into the firearm. (Photo 4).



(8) Repeat step 7 until all cartridges have been ejected from the firearm.

After all cartridges have been ejected, cycle the action four or five more times as described in step 7 as an added precaution to assure that all rounds were ejected.

(9) After step 8, move the lever to the forward position while visually inspecting **both the chamber and the carrier block**, to confirm that no cartridges are still in the firearm.

(10) Pull the lever to the rear, squeeze the loading lever flush with the frame and with your thumb on the hammer, pull the trigger and with your thumb slowly lower the hammer.

(11) We suggest, when the firearm is not in use, that the loading lever locking mechanism be left disengaged.