



Operator Manual

GHM9 cal. 9x19

manufactured by B&T AG, Switzerland



B&T AG
P.O. Box 174 / 3608 Thun
Switzerland
Fon +41 33 334 67 00
Fax +41 33 334 67 01
info@bt-ag.ch
www.bt-ag.ch

TM-98991.00

Operator Manual GHM9



Table of Contents:

1. General Rules	5
1.1 Safety rules	5
1.2 Maintenance rules	5
2. Technical Specifications	6
2.1 General description	6
2.2 Nomenclature	6
2.3 Technical data	7
3. Handling and Operating Procedures	8
3.1 Clearing weapon	8
3.2 Operating fire selector	8
3.3 Operating magazine retainer	8
3.4 Operating bolt catch and bolt release knob	8
3.5 Loading and unloading weapon	9
3.6 Operating iron sights	10
3.7 Operating folding stock	10
3.8 Firing the weapon	11
4. Maintenance Procedures	12
4.1 Disassembly	12
4.2 Cleaning and inspections	13
4.3 Reassembly	13
5. Spare parts	14
5.1 Exploded view	14
5.2 Parts list	15

Related documents

-

Abbreviations:

MPI: Mean Point of Impact

Operator Manual GHM9





1. General Rules

1.1 Safety rules

1. Consider every weapon loaded until checked personally by the individual operator.
2. Always keep the finger off the trigger and outside the trigger guard until the sights are on target.
3. Always point the weapon in a safe direction.
4. Verify your target and the area behind the target.
5. Before firing always verify the serviceability and condition of both the weapon and ammunition.
6. Hearing and eye protection are mandatory.
7. Be sure to use CIP or SAAMI certified cartridges of correct caliber only.
8. If a cartridge fails to ignite, keep the muzzle in a safe direction and open the chamber only after a minimum of 30 seconds.
9. Live fire training should be carried out in open or well-ventilated areas to prevent excessive exposure to toxic gases.
10. Operate your weapon consciously and do not use excessive force.

1.2 Maintenance rules

1. Clean the weapon after each deployment or firing.
2. Report malfunctions to unit armorer or manufacturer.
3. Present the weapon to the armorer for inspection after each mission or at least once a year.

2. Technical Specifications

2.1 General description

The GHM9 is a blow-back operated semi-automatic firearm of closed bolt design in cal. 9x19 with a single action trigger. Operating elements such as charging handle, fire selector, magazine retainer, bolt catch and bolt release knobs are ambidextrous to operate. Other features are a folding stock, flip-up sights on top accessory rails, lateral accessory rails and a three-lug-interface on the muzzle to accept suppressors.

2.2 Nomenclature

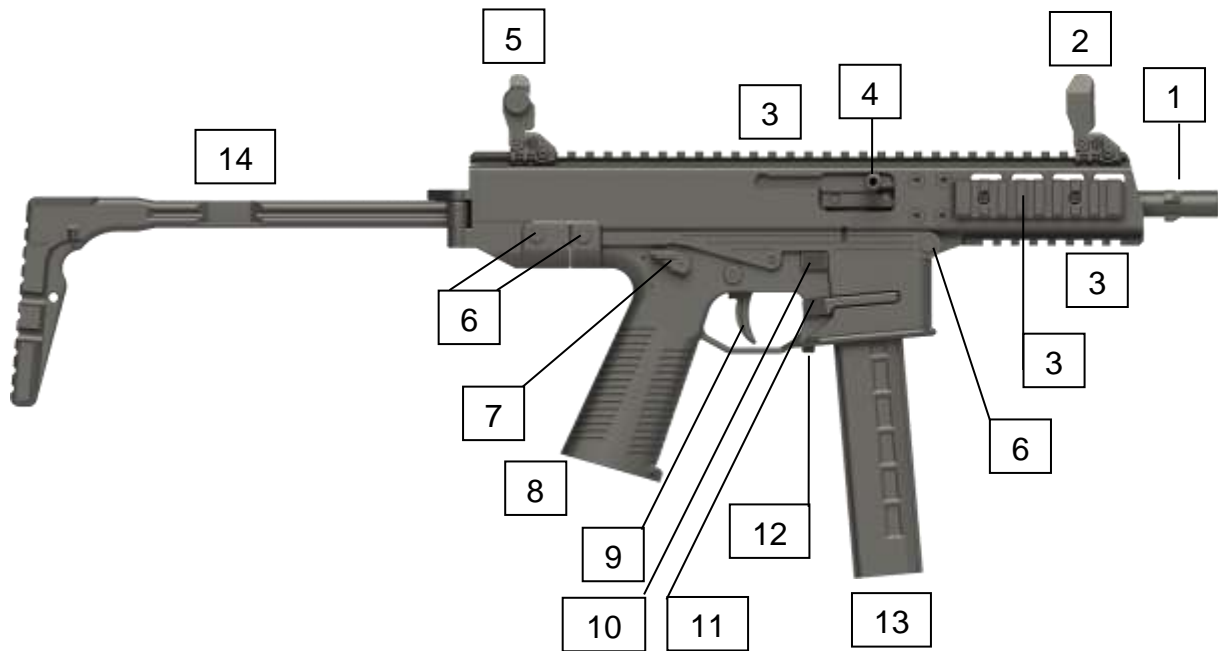


Fig. 2.1

1	Barrel
2	Front sight
3	Accessory rail
4	Charging handle
5	Rear sight
6	Takedown pin
7	Fire selector
8	Pistol grip
9	Trigger
10	Bolt release knob
11	Magazine retainer
12	Bolt catch
13	Magazine
14	Folding stock



Fig. 2.2

1	Upper receiver with barrel
2	Front sight
3	Rear sight
4	Charging handle
5	Bolt
6	Mainspring assembly
7	Folding stock assembly
8	Lower receiver
9	Magazine

2.3 Technical data

Designation:	GHM9	
Manufacturer:	B&T AG, Switzerland	
Product ID:	BT-450000	
Caliber:	9x19	
Magazine capacity:	30 rounds	
System:	closed bolt blowback action	
Barrel length [mm]:	175	
Twist rate [mm per turn]:	250	
Rifling:	6 grooves, right hand	
Overall length [mm]:	664 (folding stock open)	435 (stock folded)
Overall width [cm]:	max. 81 (charging handle left side, stock folded)	
Overall height [cm]:	277 (with magazine and sights upright)	
Weight [kg]:	2.43 (empty magazine inserted)	
Interfaces:	4 NATO accessory rails, three-lug-muzzle	

3. Handling and Operating Procedures

3.1 Clearing weapon

- a. Remove magazine (section 3.3).
- c. Pull the charging handle completely to the rear and inspect the chamber visually to be clear (fig. 3.1)
- d. Lock the bolt in open position (section 3.4).



Fig. 3.1



Fig. 3.2



Fig. 3.3

3.2 Operating fire selector

- a. The “safe” position is marked with a white dot (fig. 3.2).
- b. The “fire” position is marked with a red dot (fig. 3.3).
- c. Rotate the fire selector either on the right or the left side in order to select the desired mode (fig. 3.4).



Fig. 3.4



Fig. 3.5

3.3 Operating magazine retainer

- a. In order to remove a magazine, press the magazine retainer either on the right (fig. 3.5) or left side.
- b. Pull the magazine downward out of the weapon.
- c. Insert a magazine until the retainer snaps audibly.
- d. Pull the magazine slightly downward to verify it is well seated.

3.4 Operating bolt catch and bolt release knob

- a. Remove magazine (section 3.3).
- b. Grab the charging handle and pull the bolt to rearmost position.
- c. Push the bolt catch upwards (fig. 3.6).

- d. Allow the bolt to travel forward until stopped and hold by the bolt stop.
- e. In order to close the bolt, push the bolt release knob either on the right (fig. 3.7) or the left side.



Fig. 3.6



Fig. 3.7

3.5 Loading and unloading weapon

3.5.1 Loading weapon

SAFETY NOTE: BE SURE OF THE CARTRIDGES YOU LOAD!

NOTE: THE CHARGING HANDLE CAN BE SET TO LEFT OR RIGHT SIDE (SECTION 4.3).

- a. Fill the cartridges one by one into the magazine.
- b. Grab the weapon and set fire selector to “safe” (section 3.2).
- c. Insert full magazine (section 3.3).
- d. Vigorously pull back the charging handle to its rearmost position and allow the bolt to snap forward under its own power.
- e. Slightly pull the bolt rearward until you can spot the brass of the chambered cartridge (fig. 3.1) in order to verify the weapon is loaded.

3.5.2 Unloading weapon during firing sessions

- a. Rotate fire selector to “safe” (section 3.2).
- b. Remove the magazine (section 3.3).
- c. Pull the charging handle rearward and observe the chambered cartridge becoming ejected.
- d. Hold the bolt in open position using the bolt catch (section 3.4).
- e. Recover the loose cartridge.

3.5.3 Unloading weapon for storage

- a. Apply procedures 3.5.2.
- b. Close bolt (section 3.4).
- c. Rotate fire selector to “fire” position (section 3.2).
- d. Point the weapon into a safe direction and pull the trigger – the hammer strikes audibly.
- e. Rotate fire selector to “safe” position.

3.6 Operating iron sights

3.6.1 Engaging iron sights

- Push front sight up until it snaps in upright position (fig. 3.8).
- Push rear sight up until it snaps in upright position (fig. 3.9).
- Select large or small aperture as shown in fig. 3.10.
- Push sights down until they snap in storage position when not used.



Fig. 3.8



Fig. 3.9



Fig. 3.10

3.6.2 Adjustments

- Lift the MPI by rotating the front sight's wheel (fig. 3.11) counterclockwise.
- Shift the MPI to the right side by rotating the rear sight's wheel (fig. 3.12) clockwise.

NOTE: VERIFY PROPER ZERO BY FIRING!



Fig. 3.11



Fig. 3.12

3.7 Operating folding stock

- Use the supporting hand to grab the closed stock (fig. 3.13) and rotate it vigorously to unfolded position.
- Check unfolded stock for firm locking.
- Use the supporting hand to press the stock release knob (fig. 3.14).
- Rotate the stock to folded position until it locks.



Fig. 3.13



Fig. 3.14

3.8 Firing the weapon

SAFETY NOTE: APPLY SAFETY RULES SECTION 1.1!

- a. Load weapon according to section 3.5.1.
- b. Apply a proper firing position.
- c. Aim on target and rotate the fire selector to "fire".
- d. Pull the trigger until the shot is released.

SAFETY NOTE: BE SURE YOUR SUPPORTING HAND IS BEHIND THE MUZZLE!

4. Maintenance Procedures

4.1 Disassembly

NOTE: THE TAKEDOWN PINS ARE ALL CAPTIVE!

- a. Unload weapon according to section 3.5.2.
- b. Close bolt according to section 3.4.
- c. Push and pull rearmost takedown pin from left side to right side (fig. 4.1).



Fig. 4.1



Fig. 4.2

- d. Grab folding stock assembly, pull it down and out of the upper receiver (fig. 4.2). Use the other hand to prevent the loaded mainspring from jumping out of the receiver.
- e. Push and pull the middle takedown pin from left side to right side and tilt the lower receiver downward (fig. 4.3).



Fig. 4.3



Fig. 4.4

- f. Pull bolt rearwards, grab and remove mainspring assembly (fig. 4.4).
- g. Remove charging handle (fig. 4.5) through the port in the rearmost position.
- h. Allow the bolt to slide out of the receiver (fig. 4.6).



Fig. 4.5



Fig. 4.6

- i. The weapon is now disassembled for cleaning.

4.2 Cleaning and inspections

- a. Use a rod of suitable length with a copper brush on top to clean the barrel from the rear side.
- b. Use a small brush to remove particles captured in the cavities of lower and upper receiver.
- c. Use an oily rag to wipe clean all accessible surfaces.
- d. Inspect all components and accessible parts for cracks, deformations or other signs of deterioration.
- e. Apply a slight film of oil to all accessible surfaces of steel parts.

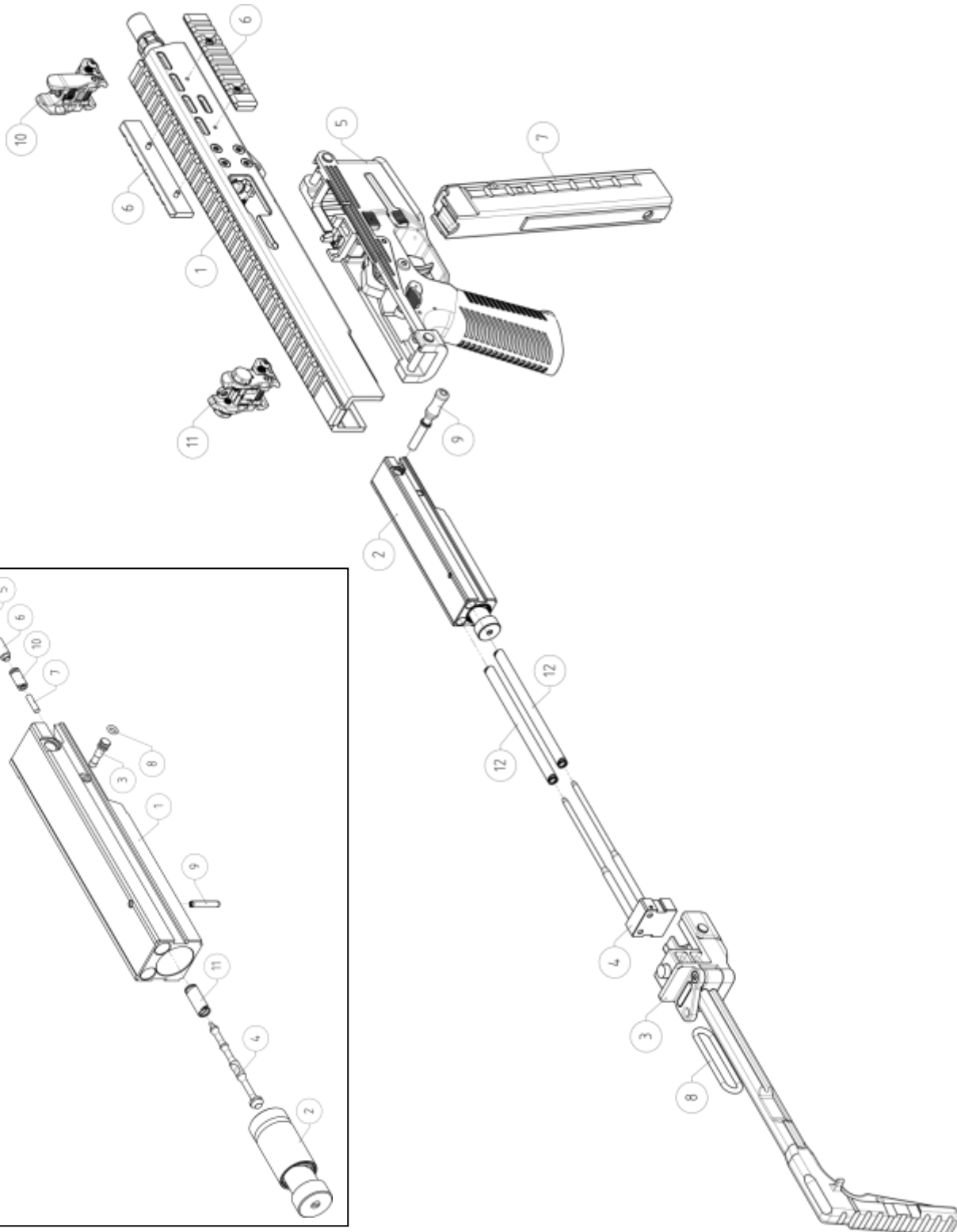
SAFETY NOTE: ADDRESS TO AN ARMOURER IF THE SERVICEABILITY OF THE WEAPON SEEMS DOUBTFUL.

4.3 Reassembly

- a. Insert the bolt to the upper receiver until its bearing for the charging handle collimates with the port in the receiver.
- b. Plug the charging handle either on the right side or the left side fully into the bolt.
- c. Inspect for smooth running of the bolt.
- d. Rotate the lower receiver upwards (fig. 4.3) and fix with the takedown pin.
- e. Insert the mainspring assembly to the bolt (fig. 4.4).
- f. Insert the folding stock assembly to the upper receiver (fig. 4.2).
- g. Inspect functions as per sections chapter 3.

5. Spare parts

5.1 Exploded view



5.2 Parts list

Pos.	Ref.	Description
1	BT-450052	Upper receiver complete with barrel
2	BT-450026	Bolt complete
2.1	BT-450013	Bolt body
2.2	BT-45-0047	Hydraulic buffer
2.3	BT-450018	Firing pin retainer
2.4	BT-450041	Firing pin
2.5	BT-36257	Extractor
2.6	BT-36259	Extractor plunger
2.7	BT-36262	Shock buffer
2.8	BT-36264	O-Ring
2.9	BTN-BN875-3x16	Roll pin
2.10	BT-36260	Extractor spring
2.11	BTN-51-4-4	Firing pin spring
3	BT-450027	Folding stock assembly
4	BT-450028	Mainspring guide
5	BT-450045	Lower receiver
6	BT-440063	Lateral accessory rail
7	BT-30183	Magazine
8	BT-22276	Sling loop
9	BT-450035	Charging handle
10	IMI-Z7000	Front sight
11	IMI-Z7010	Rear sight
12	BTN-1608.0201	Mainspring

6. Warranty

6.1 Manufacturer's warranty information

- a. The manufacturer's warranty covers the complete system with all genuine components and accessories.
- b. The warranty is valid three years from the date of acceptance of the weapon system by the customer's authority.
- c. The warranty is applicable on all non-conformities in material or workmanship detected during the period.
- d. The warranty is not applicable on wear-out parts or components such as for example but not limited to the recoil buffer, the firing pin or the extractor.

6.2 Manufacturer's disclaimer

- a. The user is fully responsible for improper usage of this product - it is the users responsibility to understand and implement its proper use.
- b. The user is responsible for defects which result from non-observance of the operation and maintenance procedures as outlined in the manufacturer's manuals. If descriptions of procedures are not understandable or seem to be missing, contact the manufacturer for further clarification.
- c. Technical specifications may be subject to modifications according to the manufacturer's quality management system.

B&T AG
P.O. Box 174 / 3608 Thun
Switzerland
Fon +41 33 334 67 00
Fax +41 33 334 67 01
info@bt-ag.ch
www.bt-ag.ch