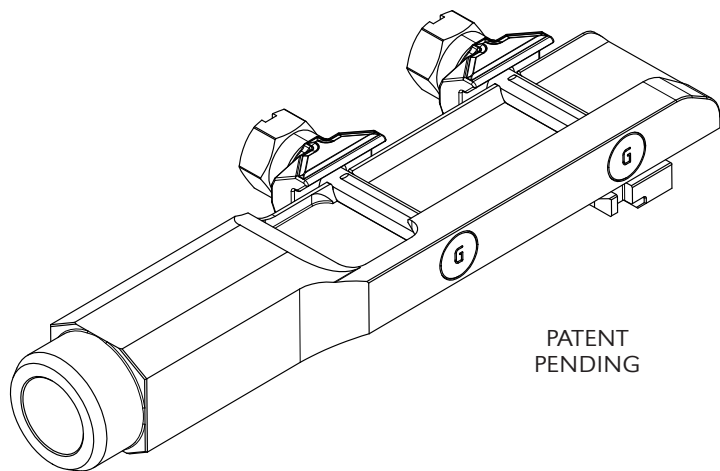


# GEISSELE<sup>®</sup>

## AUTOMATICS



### SUPER STABBY BAYONET MOUNT (SSBM) FOR M9 & COMPATIBLE BAYONETS

#### INSTALLATION INSTRUCTIONS

##### READ THIS FIRST

Firearm safety is **YOUR** responsibility. You must memorize and put into practice the 4 Rules of Firearm Safety:

- 1. ASSUME EVERY WEAPON IS LOADED.**
- 2. KEEP YOUR FINGER OFF THE TRIGGER UNTIL YOU ARE READY TO SHOOT.**
- 3. DO NOT LET THE MUZZLE POINT AT ANYTHING YOU ARE NOT WILLING TO DESTROY.**
- 4. KNOW YOUR TARGET AND WHAT IS BEYOND.**

##### DISCLAIMER

•The SSBM has only been tested on Geissele rails. Use, wear, and fit on other rails is unknown.

•Due to the lack of control over the operational use of the SSBM, Geissele Automatics specifically disclaims any responsibility for damage to the firearm it is installed on or its parts or accessories.

•The bayonet blade is sharp. Handle with care and keep the tip and edge of the blade pointed away from your body or anything you do not intend to use it on at all times. Improper fit and use can cause serious injury or death.

•Make sure to be aware of any rough surfaces on your rifle, such as the pic rail sections on the handguard, as manipulating the rifle to use the attached bayonet may cause injury if you are not wearing proper protective equipment, which should be worn at all times when using this product.

•Please also note that the fundamental rules for firearms safety must be adhered to at all times.

##### PACKAGE CONTENTS

- Super Stabby Bayonet Mount
- Instruction Sheet

##### ADDITIONAL TOOLS REQUIRED

- 1/2" Box end Wrench

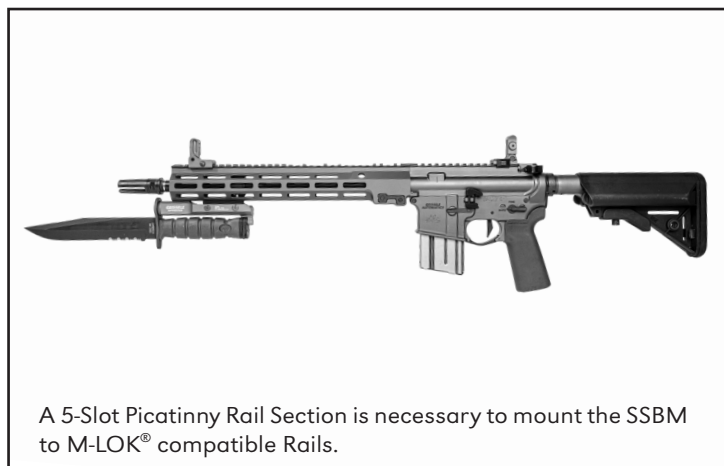
##### MOUNTING THE SSBM TO PICATINNY SECTION

1. With the rifle well supported, install the SSBM to the Picatinny rail. Tighten the clamping nuts on the mount to the rail. This can be completed using a 1/2" box end wrench. Final torque is reached when the wrench is 1/4 turn past hand tight. If using a torque wrench is preferred, the torque value should not exceed 6 foot-pounds or 72 inch-pounds to prevent damage to the rail. Note, if removing and re-installing in the field is required; a torque wrench is not necessary. Any method of attaching the mount, such as pliers or a wrench, will be sufficient.



##### MOUNTING THE BAYONET TO THE SSBM

1. Slide the ring of your bayonet over the rounded front portion of the SSBM and then lock the base of your bayonet into the bayonet lug
2. The bayonet lug is the mount that locks the bayonet in position and provides a base for the bayonet to rest against, so that when a thrust is made, the bayonet does not move or slip backwards.
3. Please note that different bayonets may have different locking mechanisms that interact with the bayonet lug. You will want to reference the specific bayonet you have for details on its operation.



A 5-Slot Picatinny Rail Section is necessary to mount the SSBM to M-LOK<sup>®</sup> compatible Rails.

## LIMITED LIFETIME WARRANTY

Geissele Automatics warrants its firearms, components, and tools against defects in materials and workmanship during the lifetime of the product. Geissele Automatics does not warrant against normal wear and tear, items consumed or expended by their normal use (including springs, pins, etc.), product misuse (including criminal misuse, negligence or use under the influence of drugs or alcohol), accidental damage, or damage caused by improper handling, unapproved modifications to the product, defective or improper ammunition, or corrosion. Defective accessories (e.g., scopes, suppressors, flash hiders, sights, slings, parts with glass or electronic components, etc.) may be warranted by their original manufacturers but are not covered by this warranty.

UNLESS OTHERWISE REQUIRED BY LAW, IN NO EVENT SHALL GEISSELE AUTOMATICS BE LIABLE FOR PERSONAL INJURY, OR ANY INCIDENTAL, SPECIAL, INDIRECT OR CONSEQUENTIAL DAMAGES WHATSOEVER, INCLUDING, WITHOUT LIMITATION, DAMAGES FOR LOSS OF PROFITS, LOSS OF DATA, BUSINESS INTERRUPTION OR ANY OTHER COMMERCIAL DAMAGES OR LOSSES, ARISING OUT OF OR RELATED TO YOUR USE OR INABILITY TO USE GEISSELE AUTOMATICS' PRODUCTS, HOWEVER CAUSED, REGARDLESS OF THE THEORY OF LIABILITY (CONTRACT, TORT OR OTHERWISE) AND EVEN IF GEISSELE AUTOMATICS HAS BEEN ADVISED OF THE POSSIBILITY OF SUCH DAMAGES.

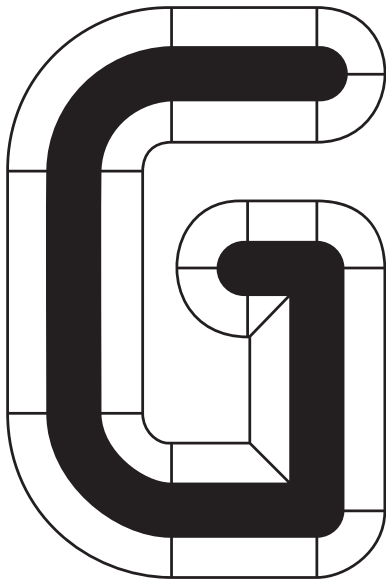
THIS LIMITED WARRANTY IS IN LIEU OF AND GEISSELE AUTOMATICS DISCLAIMS ALL OTHER WARRANTIES, EXPRESS OR IMPLIED, INCLUDING BUT NOT LIMITED TO ANY IMPLIED WARRANTIES OF MERCHANTABILITY OR FITNESS FOR A PARTICULAR PURPOSE. TO THE EXTENT ANY IMPLIED WARRANTIES MAY NONETHELESS EXIST BY OPERATION OF LAW, SUCH WARRANTIES ARE LIMITED TO THE DURATION PROVIDED BY LAW.

If you submit a valid claim under this Limited Lifetime Warranty, Geissele Automatics will authorize your return of the product and, at its sole discretion, will (i) repair the product, including replacement of defective parts with new or refurbished parts, or (ii) replace the product with a product of equal or greater value. If Geissele Automatics decides to replace a product under this warranty, Geissele will keep the product being replaced.

You must satisfy all terms and restrictions set forth in this Limited Lifetime Warranty and obtain a Return Material Authorization before shipping any product to Geissele Automatics. Before shipping any product to Geissele Automatics, please ensure that the following: (1) the product has not been modified, is clean and any accessories have been removed (unless otherwise instructed by a Geissele Automatics technical support agent); (2) there is no ammunition in any product or packaging; (3) the completed Return Material Authorization form has been placed inside the packaging; and (4) the Return Material Authorization number has been clearly written on the outside of the packaging. Any failure to follow these instructions could result in your package being refused and returned to you without repairs at your expense.

To obtain service, contact Geissele Automatics at [sales@geissele.com](mailto:sales@geissele.com) or 610-272-2060.

This warranty gives you specific legal rights, and you may also have other legal rights which vary from State to State.



**Thank You For Your Purchase.**

**Contact Geissele Automatics with any questions.**

**GEISSELE AUTOMATICS** • 800 North Wales Road • North Wales, PA 19454

**TEL:** 610.272.2060 | **FAX:** 610.272.2069

**E-MAIL:** [sales@geissele.com](mailto:sales@geissele.com) | **WEB:** [www.geissele.com](http://www.geissele.com)

Super Stabby Bayonet Mount Rev9222020