

FRANKLIN ARMORY® BINARY FIRING SYSTEM III® WAIVER AND RELEASE

1. STATEMENT OF OPEN AND OBVIOUS DANGER REGARDING THE BINARY FIRING SYSTEM®:

Firearms, by their very nature, can be lethal.

The Franklin Armory® Binary Firing System III® (BFSIII®) may inadvertently cause **INJURY** or even **DEATH** if improperly installed or misused.

The BFSIII® is a unique multi-mode trigger system that requires proper installation and user training for safe operation.

Improper use, misuse, or untrained use of the BFSIII® may lead to the unintentional discharge of the firearm which may cause the following:

PROPERTY DAMAGE
PERSONAL INJURY TO SELF OR OTHERS, OR
DEATH!

It is imperative that the BFSIII® only be installed, adjusted, and/or repaired by a certified Franklin Armory® armorer. Failure to use a Franklin Armory® armorer to install your trigger may expose you to serious liability including **PROPERTY DAMAGE, PERSONAL INJURY TO YOURSELF OR OTHERS, AND/OR DEATH!**

Improper installation, use, or tampering with the BFSIII® will void the warranty and **MAY LEAD TO UNINTENTIONAL DISCHARGE OF THE FIREARM THAT MAY LEAD TO INJURY OR EVEN DEATH.**

NEVER ALTER ANY COMPONENT OF THE BFSIII® AND NEVER OPERATE THE BFSIII® IF ANY OF THE COMPONENTS ARE MISSING, DAMAGED, OR WORN.

AFTER THE BFSIII® HAS BEEN PROPERLY INSTALLED, IT IS IMPERATIVE THAT ALL USERS SEEK QUALIFIED TRAINING ON HOW TO USE THESE PRODUCTS. Please see the coupon on the back side of this waiver for an offer for high quality subsidized training with LMS Defense.

WARNING!

THE FRANKLIN ARMORY® BFSIII® HAS THE ABILITY TO FIRE UPON THE PULL AND THE RELEASE OF THE TRIGGER. Please read the instructions thoroughly before operating the BFSIII® in your firearm.

WARNING!

FRANKLIN ARMORY® RECOMMENDS THAT ALL USERS ATTEND A TRAINING CLASS OFFERED BY LMS DEFENSE PRIOR TO OPERATING A BFSIII® EQUIPPED FIREARM. IMPROPER UNDERSTANDING OF HOW THE TRIGGER OPERATES MAY LEAD TO UNINTENTIONAL DISCHARGE OF THE FIREARM AND MAY LEAD TO INJURY OR EVEN DEATH.

WARNING:

NEVER USE THE BFSIII® WITH ANY ACCESSORY THAT MIGHT CREATE A SAFETY HAZARD. SOME SLINGS, OR OTHER ACCESSORIES MAY NOT BE SAFE FOR USE WITH THIS PRODUCT.

WARNING:

NEVER RELY ON MECHANICAL FEATURES. IT IS YOUR RESPONSIBILITY TO ENSURE SAFE HANDLING OF ANY FIREARM INCLUDING THIS BFSIII® EQUIPPED FIREARM.

WARNING:

IT IS THE BUYER'S RESPONSIBILITY TO ENSURE THAT THEY ARE IN COMPLIANCE WITH ALL APPLICABLE LAWS AT ALL TIMES WHILE USING THIS PRODUCT. SOME STATES WILL NOT ALLOW CIVILIANS TO USE THE BFSIII®.

2. COMPREHENSION OF RISK:

The BFSIII® trigger has the ability to fire on the pull and the release of the trigger. By purchasing and/or using the Franklin Armory® BFSIII®, **YOU COMPREHEND THE INHERENT RISK**, including without limitation, of **LIABILITY, INJURY, LOSS, DAMAGE** or **DEATH** as a result of improper installation, use, misuse, tampering, and/or abuse of the BFSIII®.

3. ASSUMPTION OF RISK:

By purchasing and/or using the Franklin Armory® BFSIII®, **YOU ASSUME ALL INHERENT RISK AND PERSONAL RESPONSIBILITY**, including without limitation, of **LIABILITY, INJURY, LOSS, DAMAGE** or **DEATH** as a result of improper installation, use, misuse, and/or abuse of the BFSIII®.

4. WAIVER OF RIGHTS:

By purchasing and/or using the Franklin Armory® BFSIII®, you waive and release any claim for damages, indemnity, or reimbursement against Franklin Armory® for any claims, fines, or damages imposed upon you for use of the BFSIII®. In addition, you agree to release Franklin Armory® (including its independent contractors, affiliated entities, parent companies, subsidiaries, present and former employees, owners, officers, members, managers, partners, contractors, insurers, shareholders, and directors) from any and all claims, actions, damages, liabilities, losses, costs, and expenses (including, without limitation, attorney fees) for death, injury, loss, or damage of property in any way arising out of the purchase and use of the Franklin Armory® BFSIII®. By purchasing and/or using the Franklin Armory® BFSIII®, you agree to limit liability to actual damages arising from gross negligence or willful misconduct of Franklin Armory®. In no event shall Franklin Armory® be liable for any special, incidental, punitive, or consequential damages or other indirect damages.

5. INDEMNIFICATION:

By purchasing or using the Franklin Armory® BFSIII®, you agree to accept responsibility for your use of the product and any consequence or fine imposed upon you by any government entity or third party and to indemnify and hold harmless Franklin Armory® for any claims made resulting from your use of the BFSIII®.

6. TRANSFER OF PRODUCT:

If you should sell, lease, let someone borrow or use, or in any way transfer the BFSIII® to any other individual, you agree, as a condition of acquiring this product, to accept the responsibility of ensuring that the transferee is fully aware and agrees to the conditions set forth herein. Failure to disclose these conditions to a third party without first providing acknowledgment and acceptance by the transferee of the conditions set herein will be grounds for liability on the part of the transferor.

7. BINDING EFFECT:

By purchasing the Franklin Armory® BFSIII®, you agree that this waiver shall be binding upon you as well as your next of kin, personal representatives, heirs, beneficiaries, and assigns and shall inure to the benefit of Franklin Armory® and successors and assigns of Franklin Armory®.

8. SEVERABILITY:

If any provision of this Waiver and Release is for any reason declared to be invalid or unenforceable, the validity and enforceability of the remaining provisions will not be affected. The invalid or unenforceable provision will be deemed modified to the extent necessary to render it valid and enforceable, and if no modification may render it valid and enforceable, this Waiver and Release will be construed as if not containing such provision and the rights and obligations of the parties will be construed and enforced accordingly.

9. GOVERNING LAW:

This Waiver and Release shall be governed in all respects by the laws of the state of Nevada without regard to conflict and law principles. Any action or claim shall be brought in Douglas County, Nevada.

10. DISPUTE RESOLUTION: ARBITRATION

To the extent permitted by applicable law, any controversy or claim arising out of or relating to the product, its design, functionality, or materials, and this contract, or breach thereof, will be settled by binding arbitration in accordance with the Commercial Arbitration Rules of the American Arbitration Association. Under this arbitration provision, you give up the right to resolve any controversy or claim arising out of or relating to the product, including its design, functionality, materials, or this contract by a judge and/or a jury. You also agree not to participate as a class representative or class member in any class action litigation, any class arbitration or any consolidation of individual arbitrations. The parties specifically agree to the binding nature of the arbitration.

11. VOLUNTARY ACTION:

While we sincerely value every Franklin Armory® customer, there is no necessity for anyone to own a Franklin Armory® BFSIII®. There are many other high-quality firearms and triggers that the consumer may purchase instead of our products. Please take your time in deciding whether to purchase the BFSIII® products. We intend to maintain supply, so please do not rush this important decision. Please contact the Franklin Armory® factory if you have any questions. However, if for any reason the conditions set forth in this agreement are unacceptable to you, **THEN DO NOT PURCHASE THIS PRODUCT.**

If you have already purchased a Franklin Armory® BFSIII®, and you do not agree to the terms set herein, then we encourage you to **IMMEDIATELY RETURN THE PRODUCT TO YOUR RETAILER** in an unused, new, condition. Refund terms will be set by each independent retailer.

THIS IS A WAIVER AND RELEASE OF LIABILITY. YOU AGREE TO THIS ENTIRE DOCUMENT. YOU AGREE TO ALL OF THE PROVISIONS HEREIN AND UNDERSTAND THAT YOU HAVE GIVEN UP SUBSTANTIAL RIGHTS BY AGREEING TO ALL OF THE PROVISIONS. BY PURCHASING, AND CONTINUING TO RETAIN THESE PRODUCTS, YOU ARE INDICATING YOUR VOLUNTARY AGREEMENT TO THE PROVISIONS OF THIS WAIVER AND RELEASE OF LIABILITY.

Installation Manual for the Franklin Armory® PC-C1 Binary Firing System III® for the Ruger® PC Carbine™

Patented (9,952,012; 9,952,013; 10,107,580; 10,393,461; 10,480,881 & 10,480,882)

PARTS LIST:

1. Franklin Armory® Trigger Assembly & Slave Pin
2. Trigger Spring
3. Hammer
4. Hammer Spacers (2x)
5. Hammer Spring
6. Selector Paddles (2x)
7. Selector Paddle Screws (2x)
8. Safety Selector Shaft
9. Safety Selector Detent Spring
10. Safety Selector Detent
11. Safety Selector Labels (2x)
12. 1/16" Hex Key
13. OEM Trigger Guard Housing
14. OEM Trigger Pin
15. OEM Hammer Pin
16. OEM Trigger Spring Plunger
17. OEM Receiver Cross Pins (2x)



Figure A

SUGGESTED TOOLS:

- 3/32" Pin Punch
- 5/32" Pin Punch
- 5/32 Hex Key
- Vice

PLEASE READ THE INSTRUCTIONS THOROUGHLY BEFORE STARTING! (There WILL be a test!)

Manufacturers Warning: The Binary Firing System III® should only be installed by a Franklin Armory® Certified Armorer. Franklin Armory® will not be responsible for an improper installation.

Manufacturers Warning: Always wear safety glasses when installing BFSIII® components. Small springs may inadvertently project small parts with great force.

Step 1: Follow the OEM instructions for unloading the firearm

Step 2: Follow the OEM instructions for removing the Ruger® Complete Trigger Guard Assembly.

Step 3: Follow the OEM instructions for dismantling the Ruger® Complete Trigger Guard Assembly. Retain the OEM parts identified in Figure B.

Step 4: Secure either one of the two Selector Paddles to the right side of the Safety Selector Shaft using a Selector Paddle Screw and an (included) 1/16" Hex Key. Do not overtighten. See figure C.

Note: The left side of the Safety Selector Shaft has a prominent flat on the end. Do not install the left side Safety Selector Paddle at this time.

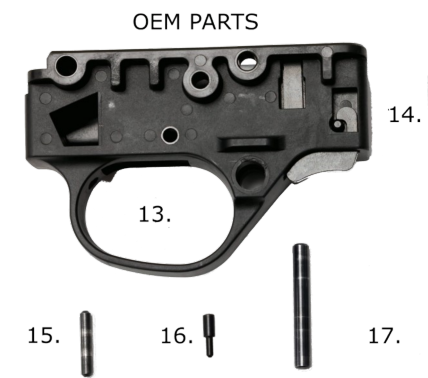


Figure C



Figure B

Step 5: Place the Selector Detent Spring and the Selector Detent into the selector detent hole in the OEM Trigger Guard Assembly Housing as shown in Figure D.

Step 6: Depress the Selector Detent in with a punch while inserting the Safety Selector Shaft in from the right side of the Trigger Guard Assembly Housing. Figure E shows the approximate angle that is required to slide the Safety Selector through.



Figure D

Note: Since this step is the hardest part and requires two hands, it might be easiest to place the Trigger Guard Housing in a padded vice. If a vice is not available, one can hold the OEM Trigger Guard Housing with one hand and while pushing down on the Safety Selector Detent with a punch. The side of a table or other vertical surface can then be used to push the selector all the way through.

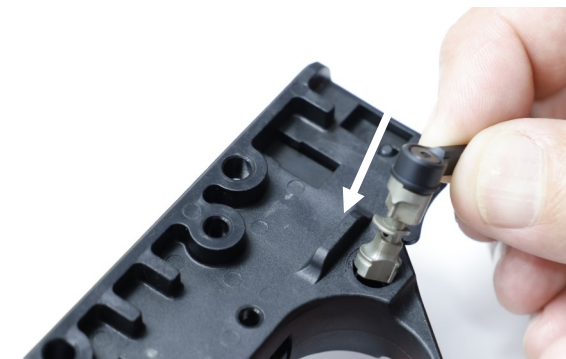


Figure E



Figure F

Note: Once installed, the Safety Selector should look as it does in Figure F.

Step 7: Place the Trigger Spring and the OEM Trigger Spring Plunger into the hole in the OEM Trigger Guard Assembly Housing as shown in Figure G.

Step 8: While keeping the OEM Trigger Spring Plunger compressed, position the pre assembled Franklin Armory® Trigger Assembly into the OEM Trigger Guard Housing. Align the Slave Pin on the Trigger Assembly with the trigger pin hole on the OEM Trigger Guard Housing. With the Slave Pin aligned with the hole in the OEM Trigger Guard, use an OEM Trigger Pin to drive the Slave Pin out the opposite side of the OEM Trigger Guard Housing as shown in Figure H.

Note: Installation of the OEM Trigger Pin will force the Slave Pin out of the opposite side of the OEM Trigger Guard Housing. Save the slave pin in case the OEM Trigger Guard Housing requires reassembly.

Note: The Slave Pin holds the Franklin Armory® Trigger Assembly together. If the assembly should become disassembled, please go to our website for instructions on how to rebuild this sub assembly before going further.

Step 9: Place the Hammer Spring on the Hammer and add the left and right spacers as shown in figure I.

Step 10: Insert the hammer assembly into the OEM Trigger Guard Housing while resting the legs of the Hammer Spring onto the recesses on either side of the already installed Trigger Assembly. See figure J.

Step 11: Align the holes of the hammer assembly with the hammer hole on the OEM Trigger Guard Housing, and install the OEM Hammer Pin through the OEM Trigger Guard Housing, Hammer Spacers, Hammer, and spring as shown in figure K.

Step 12: Remove the Right Safety selector Paddle from the Safety Selector Shaft by using the 1/16" Hex Tool.

Step 13: Use the two OEM Receiver Cross Pins to attach the Trigger Guard Assembly Housing to the Receiver as shown in Figure L.

Step 14: Place the entire assembly in the OEM stock and tighten it down per the OEM instructions.

Step 15: Reinstall the Safety Selector Paddles to the Safety selector as shown in Figure M.

Note: It is recommended to use Blue Loctite on the Safety Selector Paddle Screws in order to reduce the likelihood of the paddles from falling off during firing.

Step 16: Also shown in Figure M, please install both of the Safety Selector Labels so that the firearm is clearly marked as a BFSIII® firearm. All Franklin Armory® certified armorers are required to install the Safety Selector Labels. We do not recommend operating the firearm without the Safety Selector Labels.

Step 17: Please perform the Dryfire Function Check List on the following page before live firing your fully assembled firearm.

Note: After sampling many host firearms, we found that the OEM Trigger Guard Housing had a pocket for the Trigger Spring that varied a depth of 0.050". Consequently, some OEM Trigger Guard Housings may be shallow and require altering the Trigger Spring by clipping one half of a coil in order to allow for full travel of the trigger. Some OEM Trigger Guard Housings may need up to one and a half coils removed from the spring before full travel and proper functioning will occur. **DO NOT CLIP MORE COILS THAN NECESSARY OR THE TRIGGER WILL HAVE AN UNSAFE CONDITION WHERE IT WILL NOT RESET RELIABLY!** If you have determined that your Trigger Assembly travel is restricted, the hammer assembly and Trigger Assembly will have to be removed from the OEM Trigger Guard Housing. Take care to reinstall the Slave Pin (noted in Step 8) back into the Trigger Assembly while removing the OEM Trigger Pin. After the Trigger Assembly is removed, you will have access to the Trigger Spring. Remember do not remove more than a half coil at a time, and do not remove more than 1.5 coils maximum.



Figure H



Figure J



Figure L



Figure M



Figure G



Figure I



Figure K

BFSIII® Dry Fire Function Check List

WARNING: Always insure that your firearm is completely unloaded before performing a dry fire test. Remove the ammunition magazine, and insure that there is not a loaded round in the chamber.

WARNING: Even though you believe your firearm is unloaded, it is always important to point your muzzle in a safe direction while performing the following tasks.

1. Function check the Safety.

- Ensure that the Hammer is cocked on the sear.
- Move the Safety Selector to "Safe" Mode.
- Pull the Trigger.
- The Trigger should not move.
- Move the Safety Selector back to "Semi" Mode.
- The Hammer should not fall forward.

2. Function check the transition from "Semi" to "Safe."

- Ensure that the Hammer is cocked on the sear.
- Move the Safety Selector to "Semi" Mode.
- Pull the Trigger and keep it held back.
- The Hammer should fall forward and impact the Firing Pin.
- With the Trigger still held back, re-cock the Hammer on the Disconnecter.
- While turning the selector back to "Safe" Mode, the Hammer should not move.
- Release the Trigger.
- The Hammer should fall to the sear.

3. Function check Semi Mode.

- Ensure that the Hammer is cocked on the sear.
- Pull the Trigger and keep it held back.
- The Hammer should fall forward and impact the Firing Pin.
- With the Trigger still held back, re-cock the Hammer.
- It should now be held back by the Disconnecter.
- Release the Trigger
- The Hammer should now fall to the sear and not to the Firing Pin.

4. Function check the transition from "Semi" to "Binary®," Scenario I

- Move the Selector to "Semi" Mode.
- Ensure that the Hammer is cocked.
- Pull the Trigger and keep it held back.
- The Hammer should fall forward and impact the Firing Pin.
- With the Trigger still held back, re-cock the Hammer on the Disconnecter.
- Hold the Trigger back while turning the Safety Selector to Binary® Mode.
- The Selector should not be able to turn to Binary® Mode.
- The Hammer should not have fallen while manipulating the selector.
- Now release the Trigger.
- The Hammer should fall off of the Disconnecter and be caught by the sear.

*It is important that the IDS be pushed rearward by the Hammer every time this operation is tested. It is preferred to perform this dryfire test with the firearm fully assembled since the full travel of the bolt will unquestionably cause the IDS to move to the proper position. If the Hammer was only lightly re-cocked, the selector would not be able to go back into Semiautomatic Mode until the IDS was pushed rearward. Consequently, pressing down on the Hammer (just like when a bolt performs a full cycle) will force the tail of the Hammer to push the IDS rearward. This will then allow free movement of the Safety Selector.

What to Expect When Live Fire Testing the BFSIII®:

WARNING: Keep your finger off the trigger until you are ready to shoot.

WARNING: Never point your firearm at anything that you do not intend to destroy.

WARNING: Be sure of your target and what is behind it.

Note: The arm of each Safety selector Paddle is designed to cover the firing mode that it is indicating.

Test the Safe Mode:

With the Safety Selector in Safe Mode, the Trigger should not move, and the Hammer should not fall forward.

Test Semiautomatic Mode:

With the Safety Selector in Semi Mode, the firearm should fire one round every time the Trigger is pulled. When the Trigger is released, the Hammer should reset to the Sear.

Test Binary® Mode:

With the Safety Selector in Binary® Mode, the firearm should fire once every time the Trigger is pulled and once again when the Trigger is released. By releasing the Trigger slightly more, an audible reset should be perceived.

5. Function check the transition from "Semi" to "Binary," Scenario II

- Move the Selector to "Semi" Mode.
- Ensure that the Hammer is cocked.
- Pull the Trigger and keep it held back.
- The Hammer should fall forward and impact the Firing Pin.
- With the Trigger still held back, re-cock the Hammer on the Disconnecter.
- Hold the Trigger back while turning the Safety Selector to Binary Mode.
- The Selector should not be able to fully turn to Binary Mode.
- Continue to maintain pressure on the Selector.
- Release the Trigger while continuing to maintain pressure on the Selector.
- The Hammer should not move.
- Now release pressure on the Selector.
- The Hammer should fall off of the Disconnecter and be caught by the Sear.

6. Function check Binary Mode, Scenario I

- Ensure that the Hammer is cocked on the sear.
- Move the Safety Selector to "Binary" Mode.
- Pull the Trigger and keep it held back.
- The Hammer should fall forward and impact the Firing Pin.
- Re-cock the Hammer on the Disconnecter.
- Slowly release the Trigger until the Hammer falls to the Firing Pin.
- Keep your finger held at the point that the Hammer fell forward
- Re-cock the Hammer on the Disconnecter.*
- Release the Trigger and the Hammer should reset to the Sear.

7. Function check Binary Mode, Scenario II

- Ensure that the Hammer is cocked on the sear.
- Move the Safety Selector to "Binary" Mode.
- Pull the Trigger and keep it held back.
- The Hammer should fall forward and impact the Firing Pin.
- Re-cock the Hammer on the Disconnecter.
- Slowly release the Trigger until the Hammer falls to the Firing Pin.
- Keep the Trigger held at the point that the Hammer fell forward
- Re-cock the Hammer on the Disconnecter.
- Pull the Trigger in and the Hammer should not fall.
- Release the Trigger slowly until the Hammer falls to the Firing Pin.
- While keeping your finger at the breaking point, re-cock the Hammer.*
- Release the Trigger again, and it should reset at the Sear.

8. Function check Intermodal travel from Binary Mode to Semi Mode.

- Ensure that the Hammer is cocked on the sear.
- Ensure that the Safety Selector is in "Binary" Mode.
- Pull the Trigger and keep it held back.
- The Hammer should fall forward and impact the Firing Pin.
- Re-cock the Hammer on the Disconnecter. *
- Continue to hold the Trigger back
- Rotate the Safety Selector from "Binary" Mode to "Semi" Mode.
- Release the Trigger.
- The Hammer should fall off the Disconnecter and rest on the Sear.

WARNING: DO NOT LIVE FIRE TEST YOUR FIREARM UNTIL YOU HAVE COMPLETED AND PASSED THE BFSIII® DRY FIRE CHECK LIST!