



ROMEEO[®]

ROMEEO-MSR™ 1x20mm
COMPACT ILLUMINATED DOT SIGHT

OWNER'S MANUAL

Please visit sigbauer.com for Owners Manual downloads.

INTRODUCTION

The ROMEEO-MSR Compact Illuminated Dot Sight is an ultra-compact, enclosed optic for shotgun and MSR/AR platforms featuring a crisp, 2 MOA dot and over 20,000 hours of continuous runtime. The ROMEEO-MSR is covered by the SIG SAUER Electro-Optics Infinite Guarantee and SIG SAUER Electronic & Tritium Component Limited 5-Year Warranty.

CONTENTS:

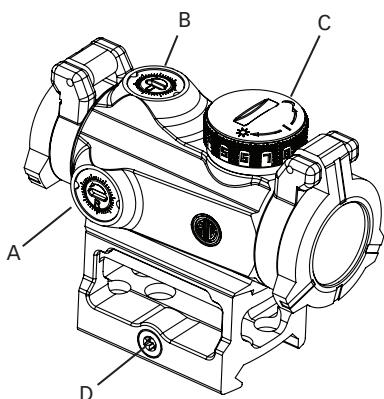
- ROMEEO-MSR 1 x 20 mm Compact Illuminated Dot Sight
- CR1632 Coin Cell Battery
- Slip over, see-through Flip-Backs
- 1.41" Torx T10 M1913 Riser Mount
- Battery Removal, Sight Adjustment and Torx Mount Multi-Tool

KEY FEATURES:

- High performance coatings for excellent light transmission and dot contrast for any situation
- Ultra-compact size and weight with unlimited eye-relief and parallax free operation
- 2 MOA Dot
- Slip over, see-through Flip-Backs
- 1.41" Torx T10 M1913 Riser Mount
- Top loading battery compartment and ambidextrous brightness control, featuring 10 daytime and 2 NV settings
- Over 20,000 hours of continuous runtime on medium setting, using a common CR1632 battery
- Aircraft grade aluminum housing and mount
- Dependable IPX-7 waterproof and fog proof performance
- SIG SAUER® Electro-Optics Infinite Guarantee™ and SIG SAUER Electronic & Tritium Component Limited 5-Year Warranty

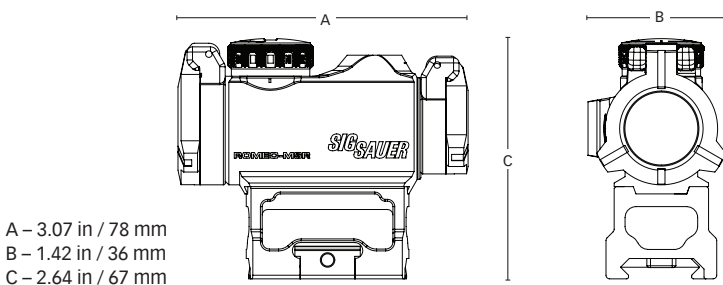
PRODUCT IDENTIFICATION

- A – Windage Adjustment
- B – Elevation Adjustment
- C – Illumination Control and Battery Compartment
- D – T10 Torx Mount Cross Bolt



ROMEEO-MSR SPECIFICATIONS

Dot Size	2 MOA
Magnification	1x
Clear Aperture	.787 in / 20 mm
Illumination Settings	10 Day / 2 NV
Elevation Adjustment Range	+/- 50 MOA
Windage Adjustment Range	+/- 50 MOA
Weight w/o Battery	5.5 oz / 154 g
Battery	CR1632
Waterproofing	IPX-7



⚠ WARNING

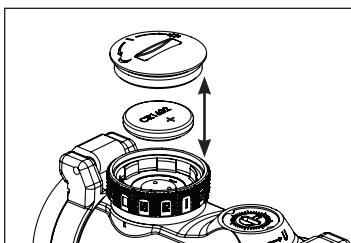
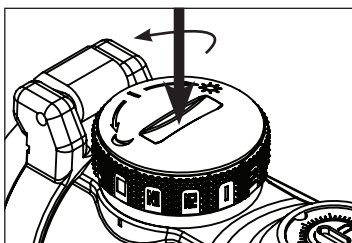
Before working on your ROMEEO-MSR sight always ensure that the firearm is unloaded with the safety on.

OPERATION

Installing the Battery

- The battery compartment is located on the top of the sight. Use a coin, flat head, spare CR1632 battery or included multi-tool to unscrew the cap counter-clockwise. Install the CR1632 coin cell with the + terminal facing up. It should snap firmly into the contacts. Reinstall the battery cap and rotate clockwise until the cap is fully closed. Torque to 8 in-lbs.

Note – Failure to properly tighten the battery cap could lead to intermittent LED illumination or allow moisture into the battery compartment.



Turning Sight On and Off / Illumination Control

- The rotary illumination control can be rotated nearly 360 degrees. At each end of travel, there is an OFF position, which also acts as a hard stop. The user can select from 10 daytime and 2 NV brightness settings. To increase the dot brightness, rotate the illumination control clockwise. To decrease brightness, rotate counter-clockwise. The ROMEO-MSR DOES NOT feature MOTAC (Motion Activated Illumination), so be sure to turn the sight off prior to long-term storage. The ROMEO-MSR should provide well over 20,000 hours of runtime during normal use.

MOUNTING THE SIGHT

- The ROMEO-MSR comes mounted on a 1.41" riser, which offers an absolute co-witness with standard-height MSR/AR platform iron sights. The mount interface on the bottom of the ROMEO-MSR is compatible with other popular red dot sights and the mount can be swapped out if desired. To install the mounted sight to any M1913 Picatinny, STANAG or Weaver rail, loosen the T10 cross bolt screw on the mount and place the ROMEO-MSR onto the rail, ensuring the recoil lug under the mount is sitting securely within a rail slot. While pushing the mounted sight forward towards the muzzle, tighten the T10 Torx cross bolt to 30 in-lbs +/- 2. For optimal performance, check that your mount cross bolt is properly torqued every 500 rounds.

MAINTENANCE

- Cleaning – Keep your lenses clear by using a soft cloth or lens pen. The best way to maintain image quality is by keeping your lens surfaces clear of dirt and dust that can cause scratches.
- Keep the flip backs snapped down over the lenses whenever possible to protect the lenses from scratches.

SIGHT ADJUSTMENTS

- The windage and elevation adjustment turrets are located toward the rear of the sight. Elevation is located on top of the sight, and the windage is located on the right side. To raise your point of impact, use a small flat head screwdriver to turn the elevation adjustment screw counter-clockwise. To lower your point of impact, turn the adjustment clockwise. Each click will move your point of impact 1 MOA. To move your point of impact right, use a small flat head screwdriver to turn the windage adjustment screw counter-clockwise. To move your point of impact left, turn the adjustment clockwise. Each click will move your point of impact 1 MOA.

TROUBLESHOOTING

Point of Impact (POI) changes between groups, when shooting from a set distance:

- Check that your mounting screws and cross bolt are properly torqued.
- Check and clean your firearm.
- Check for variations in ammunition.

Intermittent LED Dot Illumination during live fire:

- Re-tighten the battery cap to 8 in-lbs.
- Replace the battery or remove the battery and clean the circuit board contacts and battery surfaces.



SIG SAUER® Electro-Optics Infinite Guarantee® / Limited Lifetime Warranty

SIG SAUER has manufactured the most rugged, dependable, high-performance firearms for more than two centuries. Our heritage of design, engineering, and precision-manufactured quality predates the existence of any other optics company worldwide. We understand the importance of quality in the line of fire, at the shooting range or on your next hunt. SIG SAUER Electro-Optics had to earn the right to wear that badge and the Infinite Guarantee has your back, forever. Period.

We will repair or replace your SIG SAUER product in the event it becomes damaged or defective, at no charge to you. If we cannot repair your product, we will replace it with a product in perfect working order of equal or better physical condition.

- SIG SAUER Infinite Guarantee®**
- Unlimited Lifetime Guarantee
 - Fully Transferable
 - No Warranty Card Required
 - No Receipt Required
 - No Time Limit Applies
 - No Charge

Please note that our Infinite Guarantee excludes coverage for intentional damage, misuse, cosmetic damage that does not affect the performance of the optic, loss, theft, or unauthorized repair or modification. Excludes electronic and Tritium components.

Customers seeking warranty coverage must first obtain a Return Merchandise Authorization (RMA) by contacting SIG SAUER Customer Service, and return the product unloaded and freight prepaid.

ANY WARRANTIES IMPLIED BY LAW, INCLUDING ANY IMPLIED WARRANTIES OF MERCHANTABILITY OR FITNESS FOR A PARTICULAR PURPOSE, ARE EXPRESSLY DISCLAIMED. REPAIR, ALTERATION, OR REPLACEMENT AS PROVIDED HEREIN IS YOUR EXCLUSIVE REMEDY FOR ANY DEFECTIVE PRODUCT. IN NO EVENT SHALL SIG SAUER OR ANY COMPANY AFFILIATED WITH SIG SAUER BE LIABLE FOR ANY SPECIAL, INCIDENTAL, OR CONSEQUENTIAL DAMAGES OF ANY KIND ARISING OUT OF THE PURCHASE OR USE OF THIS PRODUCT, WHETHER BASED UPON CONTRACT, TORT, STATUTE, OR OTHERWISE. Some states do not allow the exclusion or limitation of implied warranties, or the exclusion or limitation of incidental or consequential damages, so some or all of the above limitations or exclusions may not apply to you. This warranty gives you specific legal rights, and you may also have other rights which vary from State to State.

THIS WARRANTY APPLIES TO COMMERCIAL CUSTOMERS ONLY, AND DOES NOT APPLY TO GOVERNMENT, MILITARY, LAW ENFORCEMENT, OR NON-US CUSTOMERS. NON-US COMMERCIAL CUSTOMERS MUST PURCHASE PRODUCT THROUGH AN AUTHORIZED SIG SAUER DEALER WITHIN THEIR COUNTRY OF RESIDENCE FOR THIS WARRANTY TO APPLY.



SIG SAUER Electronic & Tritium Component Limited 5-Year Warranty

SIG SAUER warrants that the electronic and tritium components of the enclosed product were originally manufactured free of defects in workmanship, material, and mechanical function. For a period of five (5) years from the date of manufacture, SIG SAUER agrees to correct any defect in these components by repair, adjustment, or replacement, at SIG SAUER's option, with the same or comparable quality components (or by replacing the product at SIG SAUER's option); provided however that a Return Merchandise Authorization (RMA) is first obtained by contacting SIG SAUER Customer Service, and that the product is returned unloaded and freight prepaid.

This limited warranty is null and void if the product has been misused, damaged (by accident or otherwise), damaged through failure to provide reasonable and necessary maintenance as described in the user's manual, or if unauthorized repair or any alteration, including of a cosmetic nature, has been performed on the product. This limited warranty does not apply to normal cosmetic wear and tear of any parts.

ANY WARRANTIES IMPLIED BY LAW, INCLUDING ANY IMPLIED WARRANTIES OF MERCHANTABILITY OR FITNESS FOR A PARTICULAR PURPOSE, ARE EXPRESSLY DISCLAIMED. REPAIR, ALTERATION, OR REPLACEMENT AS PROVIDED HEREIN IS YOUR EXCLUSIVE REMEDY FOR ANY DEFECTIVE PRODUCT. IN NO EVENT SHALL SIG SAUER OR ANY COMPANY AFFILIATED WITH SIG SAUER BE LIABLE FOR ANY SPECIAL, INCIDENTAL, OR CONSEQUENTIAL DAMAGES OF ANY KIND ARISING OUT OF THE PURCHASE OR USE OF THIS PRODUCT, WHETHER BASED UPON CONTRACT, TORT, STATUTE, OR OTHERWISE. Some states do not allow the exclusion or limitation of implied warranties, or the exclusion or limitation of incidental or consequential damages, so some or all of the above limitations or exclusions may not apply to you. This warranty gives you specific legal rights, and you may also have other rights which vary from State to State.

THIS WARRANTY APPLIES TO COMMERCIAL CUSTOMERS ONLY, AND DOES NOT APPLY TO GOVERNMENT, MILITARY, LAW ENFORCEMENT, OR NON-US CUSTOMERS. NON-US COMMERCIAL CUSTOMERS MUST PURCHASE PRODUCT THROUGH AN AUTHORIZED SIG SAUER DEALER WITHIN THEIR COUNTRY OF RESIDENCE FOR THIS WARRANTY TO APPLY.

WARNING: CANCER AND REPRODUCTIVE HARM –
www.P65Warnings.ca.gov



**FOR PRODUCT SERVICE ON THIS MODEL,
PLEASE CALL 603-610-3000**

27100 SW Parkway Ave, Wilsonville, OR 97070 USA

SIG SAUER®