

# ROME03MAX™ ROME03XL™

1x30mm COMPETITION REFLEX SIGHT

1X35mm MINIATURE REFLEX SIGHT

OWNERS MANUAL

**SIG SAUER**

**TABLE OF CONTENTS**

Introduction . . . . .	3
Contents . . . . .	4
Key Features . . . . .	5
ROME03MAX Product Identification . . . . .	6
ROME03XL Product Identification . . . . .	8
Operation . . . . .	10
Mounting The Sight . . . . .	12
Sight Adjustments . . . . .	13
Maintenance . . . . .	14
Troubleshooting . . . . .	15
ROME03MAX Specifications . . . . .	16
ROME03XL Specifications . . . . .	18
SIG SAUER® Electro-Optics Infinite Guarantee™ / Limited Lifetime Warranty . . . . .	20
SIG SAUER Electronic Component Limited 5-Year Warranty . . . . .	22

Please visit [sigsauer.com](http://sigsauer.com) for Owners Manual downloads.

## INTRODUCTION

The ROMEO3MAX™ and ROMEO3XL™ Reflex Sights are the ideal sighting solution for MSR/AR rifles, shotguns, carbines, sub-machine guns or full size handguns. These sights offer large apertures (30mm on the MAX and 35mm on the XL) and come standard with a low-profile M1913 Picatinny mount. Both models feature a high transmittance red notch reflector for excellent brightness, light transmittance and zero distortion. Available with either a 3 MOA or 6 MOA red dot with multiple brightness settings, the ROMEO3MAX and ROMEO3XL ensure rapid target engagement under a full range of lighting conditions. MOTAC (Motion Activated Illumination System) powers up the red dot when it senses motion and powers it down when it does not, providing enhanced battery life. The readily available CR2032 battery is side-loading, allowing for quick battery replacement without having to remove the sight from the firearm. The extremely strong and lightweight aircraft grade aluminum housing ensures a lifetime of reliable service.

The ROMEO3MAX and ROMEO3XL Reflex Sights are covered by the SIG SAUER Electro-Optics Infinite Guarantee and the SIG SAUER Electronic Component Limited 5-Year Warranty.

**CONTENTS:**

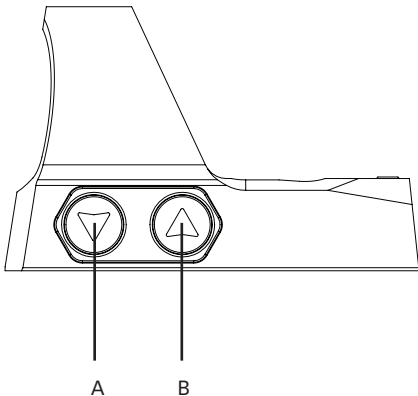
- ROMEO3MAX or ROMEO3XL Miniature Reflex Sight
- CR2032 Battery (1)
- Sight Cover
- Low-Profile M1913 Picatinny Mount
- 2.5mm Hex Wrench (Mounting)
- 1.5mm Hex Wrench (Windage/Elevation Adjustment and Battery Tray)
- M4 Mounting Screws (2)
- Operator's Manual

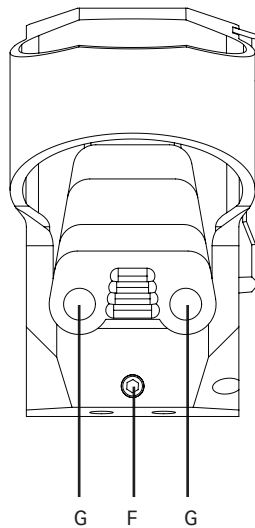
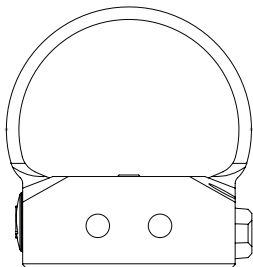
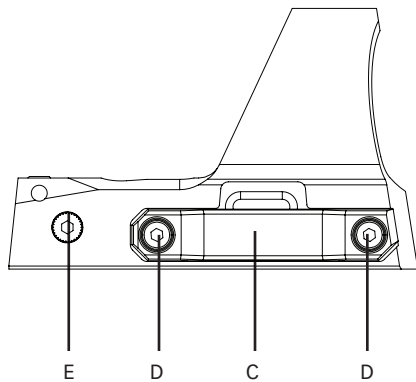
**KEY FEATURES:**

- High transmittance red notch reflector for excellent brightness, light transmittance, and zero distortion
- Available in 3 or 6 MOA dot models with multiple brightness settings for rapid target engagement under a full range of lighting conditions
- MOTAC™ (Motion Activated Illumination System) powers up when it senses motion and powers down when it does not
- Aircraft grade CNC Aluminum housing ensures a lifetime of reliable service
- Dependable waterproof (IPX-7 rated for complete water immersion up to 1 meter) and fogproof performance
- SIG SAUER® Electro-Optics Infinite Guarantee™ and SIG SAUER Electronic Component Limited 5-Year Warranty

**ROME03MAX PRODUCT IDENTIFICATION:**

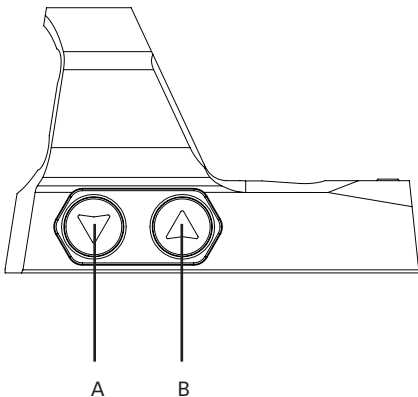
- A- ▼ (DOWN) Brightness Adjustment Button
- B- ▲ (UP) Brightness Adjustment Button
- C- Battery Tray
- D- Battery Tray Screws
- E- Windage Adjustment
- F- Elevation Adjustment
- G- Mount Screw Holes



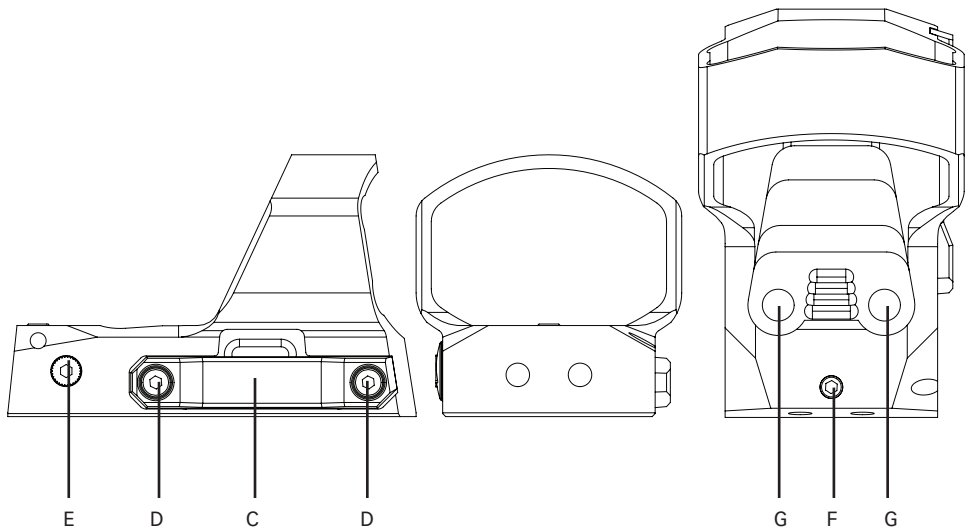


## ROME03XL PRODUCT IDENTIFICATION:

- A- ▼ (DOWN) Brightness Adjustment Button
- B- ▲ (UP) Brightness Adjustment Button
- C- Battery Tray
- D- Battery Tray Screws
- E- Windage Adjustment
- F- Elevation Adjustment
- G- Mount Screw Holes





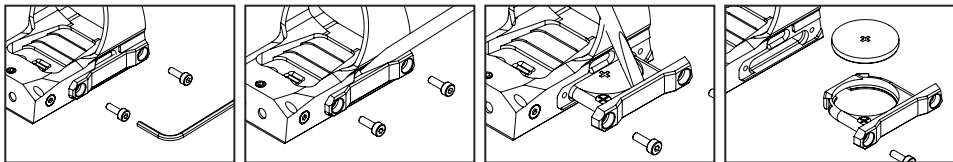


**⚠ WARNING**

Before working on your ROMEO3MAX or ROMEO3XL sight always ensure that the firearm is unloaded with the safety on.

**OPERATION****Installing the battery**

The battery is located in a battery tray that can be accessed from the right side of the sight. Use the provided 1.5mm hex wrench to remove both screws from the battery tray, taking care not to lose these small screws. Then, using a flat plastic tool or a flat head screwdriver, pry the battery tray out from the sight housing. If using a metal tool for this step, place a thin piece of plastic, cloth or other protective material between the tool and the sight housing to avoid damaging the sight finish. Pull the battery tray completely out and place a new CR2032 battery in the battery tray with the positive (+) side up. Slide the



battery tray all the way back into the sight housing and tighten the 2 battery tray screws until finger tight. Do not overtighten the battery tray screws.

## Turning Sight On and Off

- To turn the sight on, press and hold either the ▲ or ▼ brightness adjustment button for 2 seconds.
- To turn the sight off, press and hold either the ▲ or ▼ brightness adjustment button again for 2 seconds.
- The ROMEO3MAX and ROMEO3XL ship with MOTAC™ (Motion Activated Illumination System) active. When the reticle is ON, if the optic detects no motion for 2 minutes, the reticle automatically shuts off to conserve battery life. At the instant that the optic detects motion, the reticle automatically turns back on at the last brightness setting used. To deactivate MOTAC, press and hold both ▲ (UP) and ▼ (DOWN) brightness adjustment buttons simultaneously for over 4 seconds. The reticle will blink 1 time to indicate MOTAC has been deactivated. To reactivate MOTAC, repeat the same procedure. The reticle will blink 2 times to indicate that MOTAC is active.

**NOTE:** Deactivating MOTAC will severely decrease battery life if the optic is left on constantly.

- The ROMEO3MAX and ROMEO3XL have 12 brightness settings (10 Daytime and 2 NV). To increase the brightness of the dot, press and release the ▲ brightness adjustment button until the desired brightness level is reached. To decrease the brightness of the dot, press and release the ▼ brightness adjustment button until the desired brightness level is reached. When either the highest or lowest brightness level is reached, the dot will flash 5 times.

## MOUNTING THE SIGHT

- The ROMEO3MAX and ROMEO3XL come with a low-profile M1913 Picatinny mount. This mount is ideal for any rifle, shotgun or full size handgun equipped with a MIL-STD 1913 Picatinny rail section on top of the firearm. A 1.41" riser mount is available separately, for those who want an absolute co-witness with standard AR platform iron sights.
- To mount the ROMEO3MAX or ROMEO3XL using the included low-profile mount, first place the optic onto the mount, ensuring that the small silver locator pins on the mount line up with the locator pin holes on the front edge underneath the optic. Thread the M4 mounting screws through the mounting holes of the optic, into the threaded holes in the mount, and tighten the screws to 15 in-lbs. Loosen the cross bolt screw on the mount just enough so that the recoil lug underneath seats completely within a slot on the M1913 Picatinny rail of the firearm. While pushing the optic and mount forward toward the muzzle, tighten the cross bolt screw to 18 in-lbs. Note: The optic can be mounted anywhere on the top rail of the firearm that is preferred by the shooter, as the ROMEO3MAX and ROMEO3XL offer unlimited eye relief.

## MOUNTING TORQUE

- When mounting the ROMEO3MAX/XL to an aftermarket mount or adapter plate, follow the mount manufacturer's torque values carefully. If mounting the optic directly to an optics-ready steel pistol slide, torque the M4 mounting screws to 28 in-lbs.

**NOTE:** If having a firearm custom machined to direct-mount the ROMEO3MAX/XL, first contact SIG Sauer Electro-Optics Customer Service at (603) 610-3000 to obtain a print of the optic mounting interface. Improperly cut mounting interfaces can damage the optic, potentially voiding the warranty.

## SIGHT ADJUSTMENTS

- Elevation adjustments – the elevation adjustment screw is located on top of the optic. To raise your point of impact, use a 1.5mm Allen wrench to turn the adjustment screw counter-clockwise. To lower your point of impact, turn the adjustment screw clockwise. Each click will move your point of impact 1 MOA.
- Windage adjustments – the windage adjustment screw is located on the right side of the optic. To move your point of impact left, use a 1.5mm Allen wrench to turn the adjustment screw counter-clockwise. To move your point of impact right, turn the adjustment screw clockwise. Each click will move your point of impact 1 MOA.

## MAINTENANCE

- Cleaning – Keep your lens clear by using a soft cloth or lens pen. The best way to maintain image quality is by keeping your lens clear of dirt and dust that can cause scratches.
- For carbon fouling or dried rain spots on the lens, use a cotton swab and a small amount of Isopropyl alcohol. Swirl the swab in a circular motion on the lens, starting at the center and moving out to the edges.
- When the optic is not in use, always use the provided sight cover to ensure that the lens remains scratch free.

## TROUBLESHOOTING

Sight will not power on:

- Press and hold either the ▲ (UP) or ▼ (DOWN) brightness adjustment button for over 2 seconds. Move to a dark room and continue to press and release the UP brightness adjustment button to make sure the illuminated reticle isn't in one of the lowest illumination levels, which can be difficult to see in bright environments.
- Replace the battery with a new one – see page 10

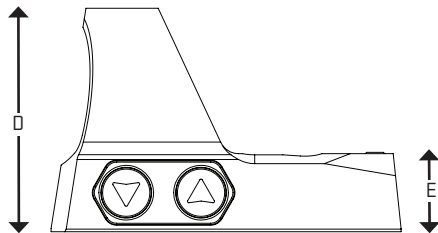
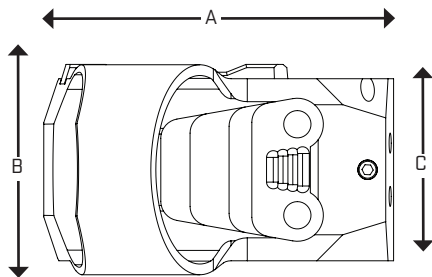
Point of impact changes between groups, while shooting at a single set distance:

- Check that all mounting screws are torqued to the correct setting – see page 12
- Check/clean your firearm
- Check for variations in ammunition

**ROME03MAX SPECIFICATIONS**

<b>Magnification</b>	1x30mm
<b>Illumination Settings</b>	10 Daytime / 2 NV
<b>Window Height</b>	1 in / 24mm
<b>Window Width</b>	1.2 in / 30mm
<b>Overall Elevation Adjustment Range</b>	110 MOA
<b>Overall Windage Adjustment Range</b>	80 MOA
<b>Weight</b>	1.5 oz / 43 g
<b>Battery</b>	CR2032
<b>Waterproofing</b>	IPX7

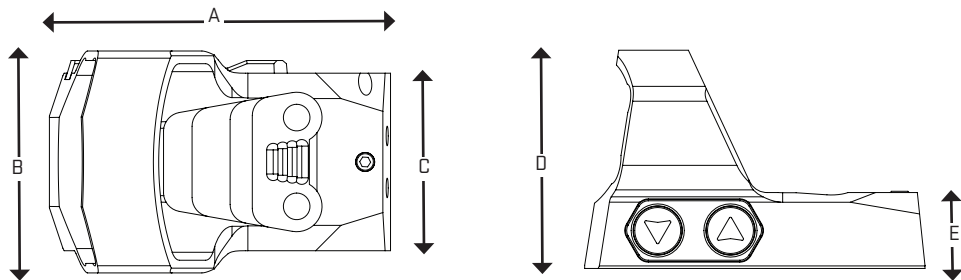




- A – 2.1 in / 54mm
- B – 1.3 in / 32mm
- C – 1.1 in / 28mm
- D – 1.4 in / 35mm
- E – 0.5 in / 12mm

**ROME03XL SPECIFICATIONS**

<b>Magnification</b>	1x35mm
<b>Illumination Settings</b>	10 Daytime / 2 NV
<b>Window Height</b>	1 in / 24mm
<b>Window Width</b>	1.3 in / 32mm
<b>Overall Elevation Adjustment Range</b>	110 MOA
<b>Overall Windage Adjustment Range</b>	80 MOA
<b>Weight</b>	1.5 oz / 43 g
<b>Battery</b>	CR2032
<b>Waterproofing</b>	IPX7



A – 2.1 in / 54mm

B – 1.4 in / 36mm

C – 1.1 in / 28mm

D – 1.4 in / 35mm

E – 0.5 in / 12mm



## **SIG SAUER<sup>®</sup> Electro-Optics Infinite Guarantee<sup>®</sup> / Limited Lifetime Warranty**

SIG SAUER has manufactured the most rugged, dependable, high-performance firearms for more than two centuries. Our heritage of design, engineering, and precision-manufactured quality predates the existence of any other optics company worldwide. We understand the importance of quality in the line of fire, at the shooting range or on your next hunt. SIG SAUER Electro-Optics had to earn the right to wear that badge and the Infinite Guarantee has your back, forever. Period.

We will repair or replace your SIG SAUER product in the event it becomes damaged or defective, at no charge to you. If we cannot repair your product, we will replace it with a product in perfect working order of equal or better physical condition.

### **SIG SAUER Infinite Guarantee<sup>®</sup>**

- Unlimited Lifetime Guarantee
- Fully Transferable
- No Warranty Card Required
- No Receipt Required
- No Time Limit Applies
- No Charge

Please note that our Infinite Guarantee excludes coverage for intentional damage, misuse, cosmetic damage that does not affect the performance of the optic, loss, theft, or unauthorized repair or modification. Excludes electronic and Tritium components.

Customers seeking warranty coverage must first obtain a Return Merchandise Authorization (RMA) by contacting SIG SAUER Customer Service, and return the product unloaded and freight prepaid.

ANY WARRANTIES IMPLIED BY LAW, INCLUDING ANY IMPLIED WARRANTIES OF MERCHANTABILITY OR FITNESS FOR A PARTICULAR PURPOSE, ARE EXPRESSLY DISCLAIMED. REPAIR, ALTERATION, OR REPLACEMENT AS PROVIDED HEREIN IS YOUR EXCLUSIVE REMEDY FOR ANY DEFECTIVE PRODUCT. IN NO EVENT SHALL SIG SAUER OR ANY COMPANY AFFILIATED WITH SIG SAUER BE LIABLE FOR ANY SPECIAL, INCIDENTAL, OR CONSEQUENTIAL DAMAGES OF ANY KIND ARISING OUT OF THE PURCHASE OR USE OF THIS PRODUCT, WHETHER BASED UPON CONTRACT, TORT, STATUTE, OR OTHERWISE. Some states do not allow the exclusion or limitation of implied warranties, or the exclusion or limitation of incidental or consequential damages, so some or all of the above limitations or exclusions may not apply to you. This warranty gives you specific legal rights, and you may also have other rights which vary from State to State.

THIS WARRANTY APPLIES TO COMMERCIAL CUSTOMERS ONLY, AND DOES NOT APPLY TO GOVERNMENT, MILITARY, LAW ENFORCEMENT, OR NON-US CUSTOMERS. NON-US COMMERCIAL CUSTOMERS MUST PURCHASE PRODUCT THROUGH AN AUTHORIZED SIG SAUER DEALER WITHIN THEIR COUNTRY OF RESIDENCE FOR THIS WARRANTY TO APPLY.



## **SIG SAUER® Electronic Component Limited 5-Year Warranty**

SIG SAUER warrants that the electronic and tritium components of the enclosed product were originally manufactured free of defects in workmanship, material, and mechanical function. For a period of five (5) years from the date of manufacture, SIG SAUER agrees to correct any defect in these components by repair, adjustment, or replacement, at SIG SAUER's option, with the same or comparable quality components (or by replacing the product at SIG SAUER's option); provided however that a Return Merchandise Authorization (RMA) is first obtained by contacting SIG SAUER Customer Service, and that the product is returned unloaded and freight prepaid.

This limited warranty is null and void if the product has been misused, damaged (by accident or otherwise), damaged through failure to provide reasonable and necessary maintenance as described in the user's manual, or if unauthorized repair or any alteration, including of a cosmetic nature, has been performed on the product. This limited warranty does not apply to normal cosmetic wear and tear of any parts.

ANY WARRANTIES IMPLIED BY LAW, INCLUDING ANY IMPLIED WARRANTIES OF MERCHANTABILITY OR FITNESS FOR A PARTICULAR PURPOSE, ARE EXPRESSLY DISCLAIMED. REPAIR, ALTERATION, OR REPLACEMENT AS PROVIDED HEREIN IS YOUR EXCLUSIVE REMEDY FOR ANY DEFECTIVE PRODUCT. IN NO EVENT SHALL SIG SAUER OR ANY COMPANY AFFILIATED WITH SIG SAUER BE LIABLE FOR ANY SPECIAL, INCIDENTAL, OR CONSEQUENTIAL DAMAGES OF ANY KIND ARISING OUT OF THE PURCHASE OR USE OF THIS PRODUCT, WHETHER BASED UPON CONTRACT, TORT, STATUTE, OR OTHERWISE. Some states do

not allow the exclusion or limitation of implied warranties, or the exclusion or limitation of incidental or consequential damages, so some or all of the above limitations or exclusions may not apply to you. This warranty gives you specific legal rights, and you may also have other rights which vary from State to State.

THIS WARRANTY APPLIES TO COMMERCIAL CUSTOMERS ONLY, AND DOES NOT APPLY TO GOVERNMENT, MILITARY, LAW ENFORCEMENT, OR NON-US CUSTOMERS. NON-US COMMERCIAL CUSTOMERS MUST PURCHASE PRODUCT THROUGH AN AUTHORIZED SIG SAUER DEALER WITHIN THEIR COUNTRY OF RESIDENCE FOR THIS WARRANTY TO APPLY.

 **WARNING: CANCER AND REPRODUCTIVE HARM**  
[www.P65Warnings.ca.gov](http://www.P65Warnings.ca.gov)



**SIGSAUER®**

**FOR PRODUCT SERVICE ON THIS MODEL, PLEASE CALL 603-610-3000**

27100 SW Parkway Avenue, Portland, OR 97070 USA