



EOTECH®



vudu® 1-6x24 FFP

PRECISION RIFLESCOPE

Export of this product is strictly controlled and enforced by the U.S. Department of Commerce, Bureau of Industry and Security, as prescribed in the Export Administration Regulation (EAR), Title 15, Code of Federal Regulations, Parts 730-774. EOTECH LLC does not authorize any of its dealers or distributors to export this commodity without prior, written authorization, and will not provide warranty or post-sales support of unauthorized international exports.

Contents

1 / FEATURES

Anatomy	4
Specifications	5

2 / GET STARTED

Adjustments	6
Magnification Adjustment	
Reticle Focus Adjustment	
Illumination Adjustment	
Elevation and Windage Adjustment	
Re-Indexing the Turret Dials	10
Battery Replacement	12
Riflescope Mounting	13
Ring Mounts	
Eye Relief	14
Quick Throw Lever	15
Zeroing Procedure	16
Bore Sighting	
Live Fire Range Sight-In	

3 / MAINTENANCE

Cleaning and Care	18
NoBS Warranty	19
Service and Repair	20
Contact Information	21

Anatomy

At EOTECH, our riflescopes are engineered and constructed to meet the rugged demands of the serious precision shooter. The Vudu 1-6x is the perfect solution for short to medium range applications that require the highest level of durability and accuracy.



Specifications

Magnification	1-6x
Focal Plane	First
Tube Diameter	30mm
Objective Diameter	24mm
Illuminated	Yes
Battery Type	CR2032
Overall Length	10.63" (270mm)
Weight	20.1 oz (570g)
Eye Relief	1x: 3.27-3.94" (83-100mm) 6x: 3.23-3.94" (82-100mm)
Field-of-View @ 100 yds	1x: 102.4 ft (31.2m) 6x: 16.7 ft (5.09m)

Reticle Specifications	SR-1	SR-2	SR-3
Adjustment Graduation per Click	0.2 MRAD	0.5 MOA	0.5 MOA
Adjustment Graduation per Rotation	15 MRAD	40 MOA	40 MOA
Total Elevation Travel	29 MRAD	100 MOA	100 MOA
Total Windage Travel	23 MRAD	80 MOA	80 MOA

Adjustments

Magnification Adjustment

- The Vudu 1-6x riflescope uses a single construction eyepiece for exceptionally fast and easy adjustments.
- To change the magnification, simply turn the magnification eyepiece to the desired level.



Reticle Focus Adjustment

- The Vudu 1-6x riflescope uses an eyepiece focus ring that is designed to quickly adjust the focus of the riflescopes reticle.
- To adjust the reticle focus, look through the riflescope at a solid background color. Rotate the eyepiece focus dial clockwise or counterclockwise until the reticle image is as crisp as possible for the shooter.

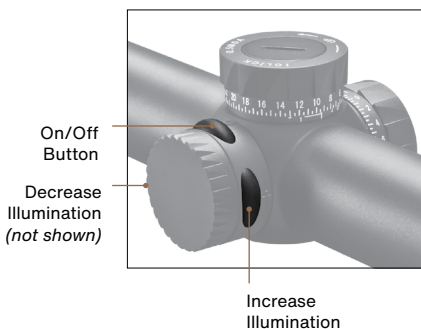
PRO TIP: *A solid white wall or clear sky make for good backdrops.*

- Once the focus adjustment is complete, it is not necessary to re-focus every time the riflescope is used. However, it is a good idea to occasionally re-check this adjustment.



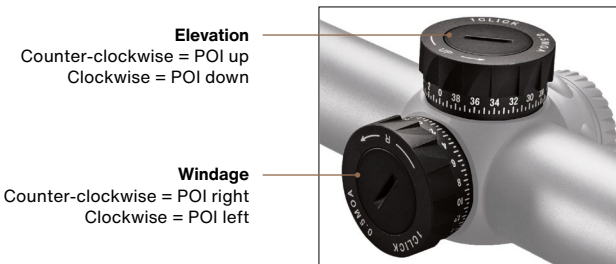
Illumination Adjustment

- The Vudu 1-6x rifle scope uses an illuminated reticle to assist the shooter in low light conditions. The illumination is controlled by a set of push buttons located on the left side of the rifle scope main body. They provide 10 levels of operator controlled brightness settings.
- The illumination is designed to turn-on at the same setting where it was turned off. This allows the shooter to quickly return to a favored brightness setting with just a single button push.
- In addition to the On/Off button, the illumination can also be turned on using the Up/Down buttons. Only the On/Off button will turn the illumination off.
- The Vudu 1-6x contains an auto-shutdown feature that will automatically turn the illumination off after approximately 2 hours of inactivity (no button pushes). This preserves battery life and eliminates the chance of accidentally leaving the illumination on.



Elevation and Windage Adjustment

The Vudu 1-6x riflescope contains precision tool-less adjustable elevation and windage turret dials for zeroing your riflescope. The adjustments contain an audible click with a distinctive tactile feel to assist the shooter in making the proper Point-of-Impact (POI) correction. The turrets are clearly marked with the appropriate correction in either MOA or MRAD depending on your particular model.



The Vudu 1-6x riflescope turrets use clicks calibrated for either milliradian (MRAD) or minutes of angle (MOA) depending on the reticle selection for your particular model.

Each click of the turret will approx. adjust the POI as follows:

Yards	0.5 MOA =	0.2 MRAD =
100	0.52 in / 1.32cm	0.72 in / 2cm
200	1.04 in / 2.64cm	1.44 in / 4cm
400	2.08 in / 5.28cm	2.88 in / 8cm
600	3.12 in / 7.93cm	4.32 in / 12cm

Re-Indexing the Turret Dials

After successfully zeroing your rifle scope, the indicator numbers located around the perimeter of the turrets will likely be set on a number other than 0. You can quickly and easily re-index this scale back to 0. Although not necessary, it is recommended that you perform this step as it will allow you quickly return back to your zero at any time without needing to remember the numeric turret location.

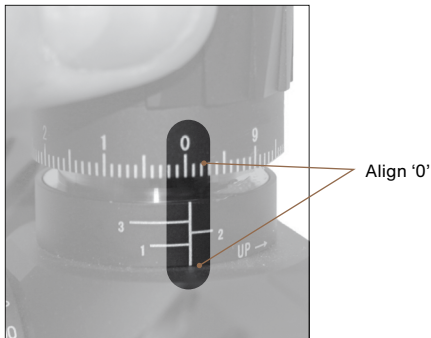
To re-index the turret scale back to 0, perform the following steps:

1. Unload and clear your rifle.
2. While holding onto the elevation turret dial to prevent it from turning, use a coin or screwdriver to loosen the turret cap highlighted in the image below.
3. Remove the turret cap.



4. Pulling straight out, remove the turret dial from the riflescope.
5. The turret dial contains an o-ring seal to prevent moisture from entering the turret assembly. After removal, keep the turret dial facing upwards to prevent the o-ring from falling out.
6. Align the '0' marking on the turret dial with the vertical alignment marking on the riflescope body and gently reinsert the dial back onto the turret assembly.
7. Using a coin or screwdriver, tighten the turret cap back onto the dial while holding the dial with your other hand to prevent rotation.
8. Repeat the same procedure on the windage dial.

Your riflescope is now set to '0'. Should you need to make any turret adjustments to correct for distance or wind, you can quickly return back to this original zero setting. This feature also serves as a quick visual aid to verify that your turrets have not been inadvertently moved.



Battery Replacement

- To change the battery, unscrew the outer cap (no tool necessary).
- Remove the battery and replace with a new **CR2032** battery.
- The battery should be inserted with the positive side facing outward.

PRO TIP: *It is recommended to remove the battery during storage. The battery cap is clearly marked with the Vudu logo.*



Riflescope Mounting

- To obtain the optimal performance from your Vudu riflescope, proper mounting is required.
- Although not overly difficult, if you are unsure of your scope mounting abilities, the use of a qualified gunsmith is recommended.
- Only mount your riflescope on a cleared and empty rifle while always observing safe gun handling.

Ring Mounts

- Following the manufacturer's installation instructions, attach high quality ring mounts to your firearm.
- The Vudu 1-6x riflescope requires **30mm rings**.
- Different firearms will require specific ring heights.
- It is best practice to use the lowest rings possible to keep the center line of the riflescope as close to the barrel as possible. If you are unsure, consult the ring mount manufacturer for recommendations.

PRO TIP: AR-style rifles will typically require a cantilevered mount with extra-high ring height.



Eye Relief

Before fully tightening the ring screws, adjust the position of the riflescope for optimum eye relief. Proper eye relief will make for a more comfortable shooting position and help prevent injury from recoil.

To adjust for eye relief:

- Place the scope as far forward in the mounting rings as possible.
- While holding the rifle in a normal shooting position, slowly move the riflescope towards your eye until you have a full field of view. For the Vudu 1-6x, this will be approximately between 3.25 and 4 inches. Keep the riflescope in this position.
- Rotate the riflescope so that the elevation dial is at the top.
- Ensure that the vertical crosshair of the riflescope aligns with the vertical axis of the rifle.

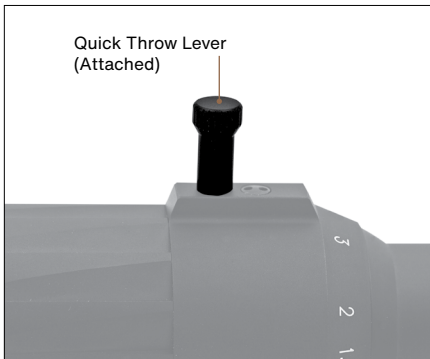
PRO TIP: *The use of a leveling tool or set of feeler gauges placed between the mount and the flat bottom of the riflescope can assist in this step.*

- After aligning the reticle, tighten and torque the ring screws down to the manufacturer's recommendation.

Quick Throw Lever

- A quick throw lever is supplied with your Vudu rifle scope.
- It is designed to allow for rapid magnification changes.
- You can install the throw lever by screwing it into the threaded hole on the eye-piece (shown below).
- The lever should be installed finger tight.
- A drop of medium loctite on the threads will help prevent the lever from backing out under recoil.

PRO TIP: *Should you wish to remove the throw lever, store it in a secure place for future use. Replacement parts can be purchased at eotechinc.com.*



Zeroing Procedure

Bore Sighting

Bore sighting the riflescope saves time and ammunition at the range. This can be done using a laser bore sighter per the manufacturer's instructions or by removing the bolt on a bolt action rifle and visually sighting through the barrel.

To visually bore sight your riflescope:

- Verify that the rifle is clear and unloaded, then remove the rifle's bolt and place the rifle on a stable platform.
- Look through the barrel at a target approx. 100 yards away.
- With the target in the center of the barrel, make elevation and windage adjustments until the reticle crosshair of the riflescope is also centered on the target.
- The riflescope is now bore-sighted. Move on to range sight-in to fine tune your zero.

Live Fire Range Sight-In

- Using the same ammunition that you plan to shoot or hunt with, fire a 3-shot group at your preferred zero distance.
- Keeping the gun barrel steady on your aiming target, adjust your windage and elevation so that the reticle aligns with the approx. center of the 3-shot group.
- Fire another 3-shot group to see if it now groups on the center of the bullseye.
- Repeat this process as necessary to achieve an accurate zero.

After achieving an accurate zero, the windage and elevation dials should be re-indexed (***See Re-Indexing the Turret Dials, page 10-11***).

Cleaning and Care

1. The Vudu riflescope lenses are coated with an anti-reflective material. When cleaning the glass surfaces, first blow or brush away any dirt and dust. Fingerprints and water spots can be wiped off with lens tissue or a soft cotton cloth, moistened with lens cleaning fluid. (Never clean the glass surfaces with a dry cloth or paper towel). Always dampen the glass surfaces prior to cleaning.
2. No maintenance is needed on the exterior surfaces of the riflescope except to occasionally wipe off with a soft cloth. A mild water-based cleaner is all that is required.
3. All moving parts of the riflescope are permanently lubricated. Do not try to lubricate them.
4. Other than the turret caps and quick throw lever, do not attempt to disassemble any component of the riflescope. Disassembly will void the warranty.

PRO TIP: *For a list of frequently asked questions, product instructional videos and information on service and accessories, visit our website at eotechinc.com.*

EOTECH reserves the right to change the product specifications at any time without notice. All brand names and product names referenced are trademarks, registered trademarks or trade names of their respective holders. Specifications provided in this user manual are nominal values only. Tolerance ranges consistent with industry best practices apply.

NoBS Warranty

For EOTECH Vudu Precision Riflescopes

EOTECH is proud to offer its No BS (NoBS) Lifetime warranty on its premium line of Vudu Precision Riflescopes. No BS means exactly that. No BS. EOTECH will repair or replace all issues related to materials and workmanship. We want you to be as confident in your purchase as we are in the quality of our product.

Should your Vudu rifle scope ever experience any issues, we will repair or replace it, as determined by EOTECH, with a comparable product in equal or better condition, free of charge, PERIOD. You don't have to be the original owner and you will not need to provide proof of purchase.

We understand your passion for the sport and your reliance on products that will provide years of dependable use. You can depend on EOTECH products and count on us to take care of you.

This warranty does not apply to the following:

- Theft, loss, neglect, or vandalism.
- Abuse, misuse, improper installation and modification, alterations, abnormal use, or accidents.
- Cosmetic damage that does not affect the product's use, operation or performance, as determined by EOTECH.
- Any defect or damage caused by repairs or services not performed by EOTECH.
- EOTECH products not in the Vudu line of riflescopes.

The warranty provided herein shall be the sole and exclusive warranty. There shall be no other warranties express or implied including any implied warranty of merchantability or fitness for a particular purpose or any other obligation on the part of EOTECH with respect to Vudu riflescopes covered by this warranty. EOTECH shall have no liability for any incidental, consequential, or special damages.

Service and Repair

- Visit the manufacturer's website at **eotechinc.com**.
- Navigate to the **Help Center** to complete the Return Authorization Request Form. EOTECH will provide detailed instructions on how to return your optic for repair.
- Contact EOTECH's Customer Service department by calling 888.EOTHOLO (888.368.4656) or submit a request online at **eotechinc.com**.

PRO TIP: *Do not ship the sight(s) without a return authorization number — this will severely delay the turnaround time on repair or replacement.*

Contact Information

**For prompt, professional and friendly service
contact EOTECH at:**

888.EOTHOLO (888.368.4656)
eotechinc.com

Shipping Address

EOTECH
Warranty and Service Department
1201 E. Ellsworth Road
Ann Arbor, Michigan, 48108 USA
Reference RA#

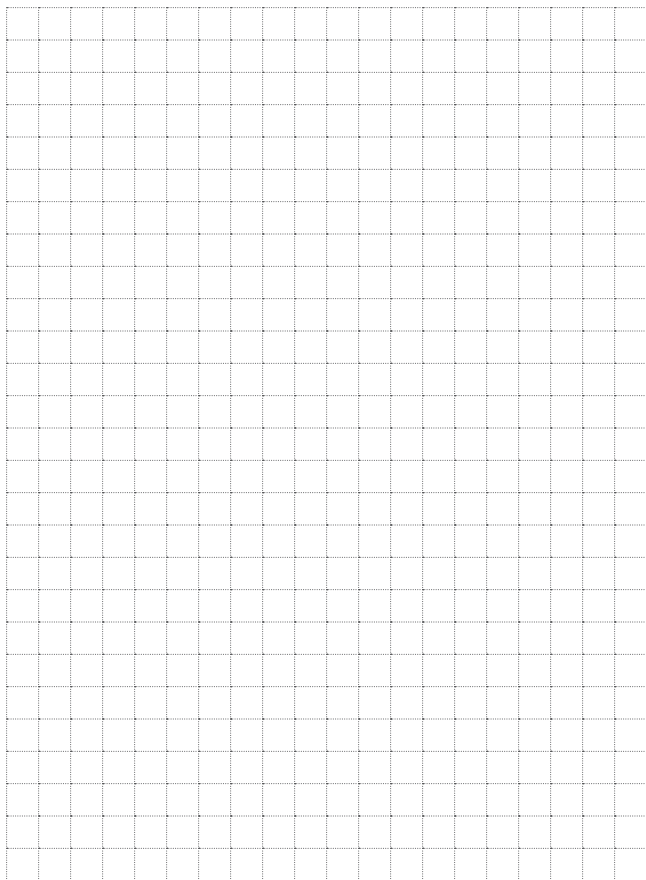
SCAN FOR
PRODUCT
REGISTRATION

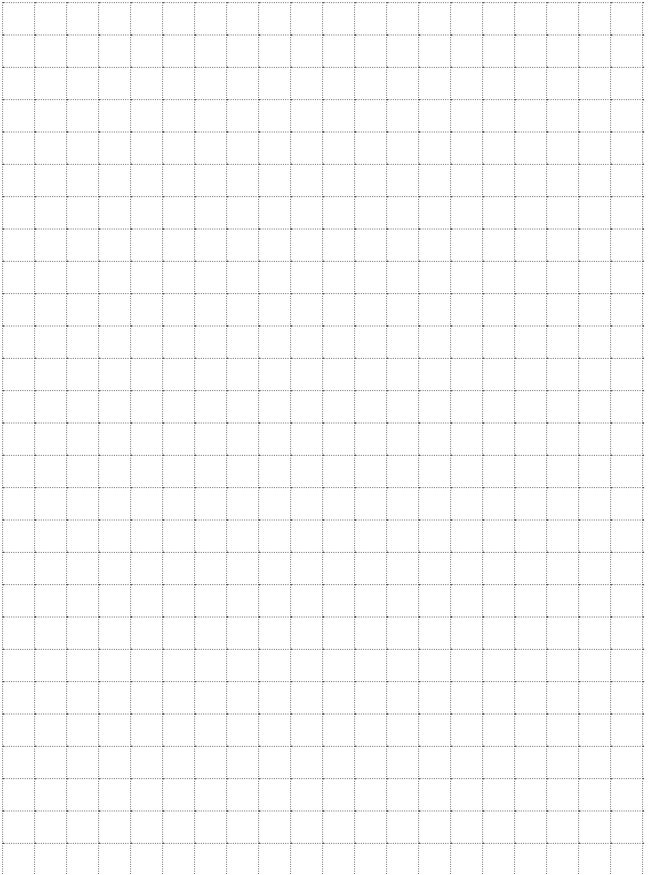


SCAN FOR
WARRANTY
INFORMATION



NOTES







EOTECH®

**Thank you for purchasing an
EOTECH Vudu rifle scope.**

VD1900 Rev B
April 2021

EOTECHINC.COM