



# OWNER'S MANUAL BLAZE™ .22LR CALIBER

## SEMI-AUTOMATIC RIFLE WITH DETACHABLE MAGAZINE

**IMPORTANT “SAFETY WARNINGS” — NOTE THE SYMBOL **

**THESE SAFETY WARNINGS ARE FOR YOUR PROTECTION AS WELL AS THE SAFETY OF OTHERS. DISREGARDING INFORMATION IN THIS MANUAL COULD CAUSE SERIOUS INJURY OR DEATH TO YOU OR THOSE AROUND YOU.**



Be certain this owner's manual is available for reference and is kept with this firearm if transferred to another party. If this manual is lost or misplaced, contact the Product Service Center for a free replacement copy or visit [www.mossberg.com](http://www.mossberg.com).



After performing any work on your firearm such as cleaning, adjustments, disassembly or installation of any accessory, the firearm should be re-checked for proper functioning before firing live ammunition.



Firearms are complex mechanisms. Any modification, alteration, or improper fitting of parts may result in a dangerous malfunction, damage to the firearm and could cause serious injury or death to you or those around you. The firearm's owner must accept full responsibility for the correct reassembly and functioning of the firearm after any disassembly or replacement of parts.



If you do not understand any of the material in this manual or have any questions, contact the Product Service Center or a qualified gunsmith.



Do not attempt to load, handle or use your Mossberg firearm until you read and understand the information contained in this owner's manual. Before handling your firearm, you should learn how it operates and how to maintain it. This includes knowing its basic parts, how the manual safety and other safety features operate, how to safely open and close the action and how to safely load and unload ammunition from the firearm. Improper use and handling is dangerous and could cause serious injury or death to you or those around you. All users of the firearm must become thoroughly familiar with the instructions in this manual.

---

### **O.F. MOSSBERG & SONS, INC.**

P.O. BOX 497 • 7 GRASSO AVENUE, NORTH HAVEN, CT 06473

PHONE (800) 363-3555

[www.mossberg.com](http://www.mossberg.com)

*Safety and safe firearms handling is everyone's responsibility.*

---



As the owner of a firearm, you must undertake the full-time responsibility of safe firearms handling for your own safety and the safety of those around you:

- Keep all firearms and ammunition out of the reach of children.
- Store your firearms and ammunition separately.
- Never store a loaded firearm.
- Never leave a loaded firearm unattended.
- Never transport a loaded firearm in a vehicle.
- Unload your firearm when you have stopped shooting and when you have to climb a tree, fence, cross a slippery surface or have to transport it in a vehicle.
- The safety should remain fully in the “ON” (SAFE) position and the firearm unloaded at all times until you are in a place where it is safe to shoot, keeping your finger off the trigger and outside of the trigger guard until you are aiming at the intended target and have decided to fire.
- Never shoot at water, rocks or any hard surfaces. Bullets may glance off such surfaces and cause injuries.
- Do not use alcohol or drugs before or while handling firearms.
- Do not touch the trigger while the safety button is being engaged or disengaged.



Always point the muzzle of your firearm in a safe direction, regardless of whether the firearm is loaded or unloaded. You should become thoroughly familiar with the function and operation of this firearm and the instructions supplied with it.



Always treat every firearm as if it is loaded. Give your firearm to someone with the action open (bolt fully rearward), and the safety button fully in the “ON” (SAFE) position. Insist on the same procedure when receiving a firearm from someone else. Learn the location of all the safety features of your firearm and how they operate.



Always wear eye and ear protection when shooting. Shooting without proper ear protection can cause hearing damage. The use of eye protection during any type of shooting is important to protect your vision.



When using a firearm with mounted optics, maintain an adequate distance between the rear of the scope and your face at all times. Be certain the scope installation does not interfere with access to, or the proper functioning of the safety button.



**We specifically disclaim any responsibility for damage or injury whatsoever occurring in connection with, or as a result of, the use of faulty, or non-SAAMI standard, or “remanufactured” or hand-loaded (reloaded) ammunition. Additionally, we disclaim any responsibility for damage or injury which results from any modifications or changes that are not a part of the firearm as delivered from the factory.**



Learn to clean your firearm thoroughly and make certain no oil, grease or other materials are blocking the barrel. Obstructions of any kind can cause damage to the firearm and could cause serious injury or death to you or those around you.

Practice proper firearm maintenance and safety. Make sure all exposed metal surfaces are coated with a thin film of oil, especially after being exposed to damp weather. (See “Cleaning and Lubrication” section of this manual) Do not plug the barrel or store in a fabric-lined case, which will absorb lubricants from the firearm. Before using after storage, follow complete instructions stated in this manual for re-familiarization with the firearm. A thorough inspection and function test should be performed before going into the field. Have your firearm periodically checked by a qualified gunsmith.



**A note about the warnings and information contained in this manual:**

**We strongly suggest that you check with your local licensed retailer or state police for additional information concerning firearms ownership, or hunting or target shooting rules that may be required by local law or regulation. Since such rules and regulations are subject to change, local authorities are in the best position to advise you on such matters.**

## TABLE OF CONTENTS

	Page
General Information and Mechanical Characteristics . . . . .	4
Mechanical Safety . . . . .	5
Keeping the Bolt in the Open Position . . . . .	6
Removing the Magazine . . . . .	6
Before Loading the Firearm . . . . .	7
Loading the Magazine . . . . .	7
Loading the Firearm . . . . .	8
Unloading the Firearm . . . . .	9
Unloading the Magazine . . . . .	9
Firing . . . . .	9, 10
Disassembly . . . . .	10-12
Cleaning and Lubrication . . . . .	12, 13
Reassembly . . . . .	14-16
Function Testing . . . . .	16, 17
Precautions and Care with your Firearm . . . . .	17
Sight Adjustments . . . . .	18
Service Instructions . . . . .	19
Warranty Information . . . . .	20
Exploded View and Parts List For (Standard) Models . . . . .	21
Notes . . . . .	22, 23
Basic Rules of Safe Firearms Handling . . . . .	Back Cover



**WARNING:** This product can expose you to chemicals, including lead, which are known to the State of California to cause cancer and birth defects or other reproductive harm. For more information go to [www.P65Warnings.ca.gov](http://www.P65Warnings.ca.gov).



## GENERAL INFORMATION AND MECHANICAL CHARACTERISTICS

The BLAZE™ is designed to operate with .22 Long Rifle cartridges of standard, high or hyper velocities only.

When shipped from the factory the rifle has a protective coating of oil on its metal parts. Before using the rifle, visually and physically inspect the inside of the barrel to be sure it is free of any excess oil, grease, or any obstructions. Obstructions of any kind can cause damage to the firearm and could cause serious injury or death to you or those around you.

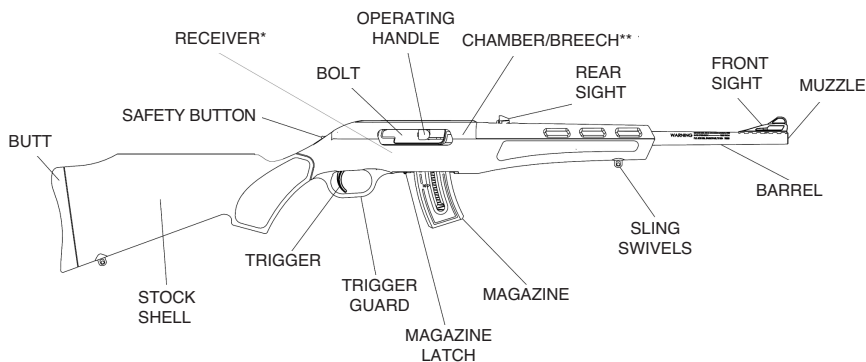
The firearm is designed to fire semi-automatically. Finger pressure must be relieved from the trigger before an additional shot can be fired.



### WARNING

**Removal of the magazine will not unload the firearm! Removing the magazine will not remove any cartridge which is in the firearm's chamber! A cartridge in the firearm's chamber can still be fired, even after the firearm's magazine has been removed! After you remove the magazine always visually and physically inspect the chamber and receiver to ensure the firearm is completely unloaded!**

**FIREARM WILL FIRE WITH MAGAZINE REMOVED.**



**Fig. 1**

**\*The receiver is contained within the stock shell.**

**\*\*The chamber is the rearmost part of the inside of the barrel. The breech is the rear face of the barrel. They can only be seen when the bolt is in the "open" position.**



Read and understand this entire manual and its safety warnings before firing the firearm.

## MECHANICAL SAFETY

The safety button is located at the top rear portion of the firearm and must be manually moved to the desired position by the shooter.



Remember, a firearm's manual safety is a mechanical device which can never replace safe firearm handling practices.



Because any mechanical device can fail, never rely on any mechanism or safety device to prevent the dangers of careless handling or pointing a firearm in an unsafe direction.

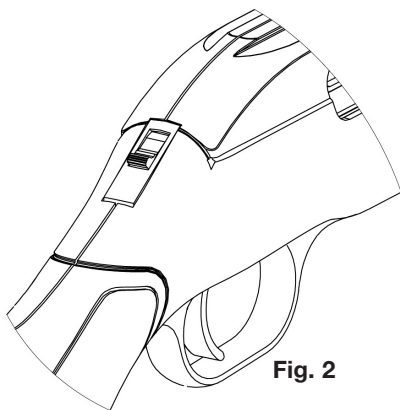


Fig. 2

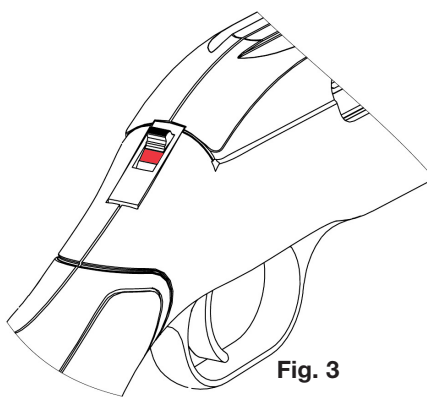


Fig. 3



The safety is set in the "ON" (SAFE) position by moving the safety button fully rearward (Fig. 2).



The safety is set in the "OFF" (FIRE) position by moving the safety button forward (Fig. 3) toward the muzzle. The red square on the safety button is a training aid used only to show the direction of the "ON" (SAFE) position and should not be used as an indicator that the safety is "ON" or "OFF."



The safety should remain fully rearward in the "ON" (SAFE) position and the firearm unloaded at all times until you are in a place where it is safe to shoot, keeping your finger off the trigger and outside of the trigger guard until you are aiming at the intended target and have decided to fire.

## KEEPING THE BOLT IN THE "OPEN" POSITION

Pull the operating handle fully rearward then push the handle inward, as indicated by the ARROW on the back of the operating handle, to lock the bolt in the open position (Fig. 4). To release the bolt, pull the end of the operating handle outward and release. The bolt will then return to its forward closed position.

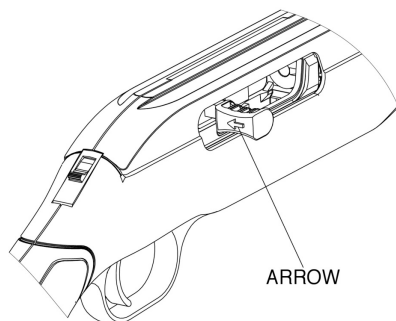


Fig. 4

## REMOVING THE MAGAZINE



### WARNING

Removal of the magazine will not unload the firearm! Removing the magazine will not remove any cartridge which is in the firearm's chamber! A cartridge in the firearm's chamber can still be fired, even after the firearm's magazine has been removed! After you remove the magazine always visually and physically inspect the chamber and receiver to ensure the firearm is completely unloaded!

**FIREARM WILL FIRE WITH MAGAZINE REMOVED.**

This firearm is equipped with a removable magazine. The magazine can be removed with the action in the open or closed position. Remove the magazine by pressing forward on the magazine latch (Fig. 5) while grasping and pulling the magazine downward. Familiarize yourself with the firearm by installing and removing an **unloaded** magazine and by learning to keep the action in the **open** position.

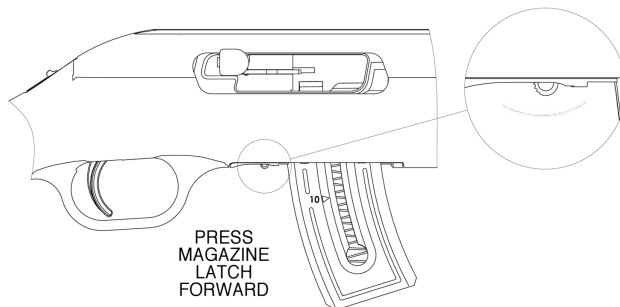


Fig. 5

## BEFORE LOADING THE FIREARM



Before loading, move the safety button fully rearward to the “ON” (SAFE) position.



Before loading, with the bolt held in the open position by pulling the operating handle fully rearward then pushing inward, as indicated by the ARROW on the back of the operating handle, visually and physically inspect the chamber and bore of the barrel for any obstruction, excessive oil or grease. (The chamber is the rear portion of the barrel which will contain the cartridge.) Obstructions of any kind can cause damage to the firearm and could cause serious injury or death to you or those around you.



During loading never allow fingers or any objects to contact the trigger. Keep the muzzle pointed in a safe direction at all times.



Do not load firearm until ready for use! Unload firearm when shooting has been completed! The safety button should always be fully rearward in the “ON” (SAFE) position whether the firearm is loaded or not.



Check to be certain that the correct ammunition has been selected for use. Ensure it is the same caliber and type of cartridge as designated on the left side of the barrel.



This firearm is capable of firing a chambered cartridge with the magazine empty, without the magazine inserted, or if the magazine is dislodged from its locked position.

## LOADING THE MAGAZINE

The magazine should be loaded before inserting it into the firearm. Remove it from the firearm as described in “Removing the Magazine” section of this manual.

Load the magazine by inserting one cartridge at a time, pressing against the follower and fully rearwards until the cartridge is fixed between the “lips” (Fig. 6) of the magazine. Repeat the operation until the magazine is full, or until the desired number of cartridges have been loaded.

Blaze™ magazines have loading assist buttons (Fig. 6) on either side of the magazine for user convenience and ease of loading. Pull the button(s) down toward the base of the magazine to compress the spring for easier loading. The magazine should be loaded with .22 Long Rifle cartridges only.

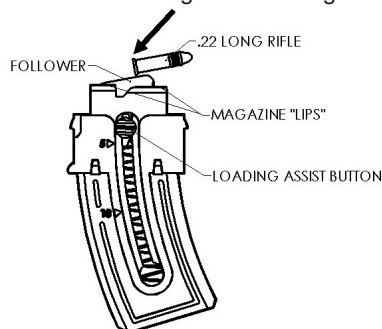


Fig. 6

## LOADING THE FIREARM



Point the muzzle in a safe direction and ensure the safety button is positioned fully rearward in the “ON” (SAFE) position. Lock the bolt in the open position by pulling the operating handle fully rearward then push the handle inward as indicated by the ARROW on the back of the operating handle.

Insert a loaded magazine into the firearm by sliding the magazine up into the magazine well until it is retained by the magazine latch (Fig. 7). Pull on the magazine to make sure the magazine is firmly locked in place.

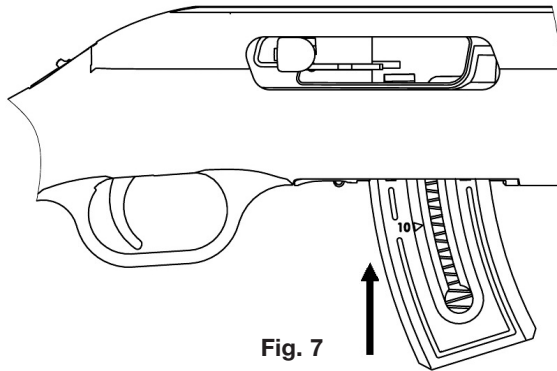
Release the bolt by pulling the operating handle outward and let the bolt return freely to its forward position. The bolt will push one cartridge from the magazine into the chamber. The firearm is now loaded.

If desired or necessary, the rifle can be single loaded with a cartridge directly into the chamber. Point the muzzle in a safe direction and ensure the safety button is positioned fully rearward in the “ON” (SAFE) position. Hold the bolt open by pulling the operating handle fully rearward then pushing inward, as indicated by the ARROW on the back of the operating handle, insert a cartridge directly into the chamber and close the bolt. It will be easier to single load the rifle if the magazine is removed from the rifle.

The firearm is ready for firing as soon as the safety button is moved forward to the “OFF” (FIRE) position.



**The firearm is now loaded and will fire if the trigger is pressed whether the magazine is in the firearm or not.**



To minimize the risk of unintended firing, the safety should remain fully rearward in the “ON” (SAFE) position and the firearm unloaded at all times until you are in a place where it is safe to shoot, keeping your finger off the trigger and outside of the trigger guard until you are aiming at the intended target and have decided to fire.





## UNLOADING THE FIREARM



Move the safety button fully rearward to the “ON” (SAFE) position. During unloading, never allow fingers or any other object to contact the trigger. KEEP THE MUZZLE POINTED IN A SAFE DIRECTION AT ALL TIMES.

Remove the magazine by pressing forward on the magazine latch while grasping and pulling the magazine free. Using the operating handle, pull the bolt fully rearward then push the handle inward as indicated by the ARROW on the back of the operating handle to lock the bolt in the open position. This should extract a loaded cartridge from the chamber.



After unloading always visually and physically inspect the chamber, receiver and magazine to make sure that all of the cartridges have been removed.

## UNLOADING THE MAGAZINE

Hold the magazine in one hand bottom down and front end forward. Push the cartridge forward and allow the nose of the cartridge to rise slightly upward until it is released from the magazine. Repeat until magazine is unloaded.

## FIRING



Use of this product, including discharging firearms in poorly ventilated areas, cleaning firearms, or handling ammunition can result in exposure to chemicals, including lead, which are known to the state of California to cause serious physical injury, including cancer, birth defects or other reproductive harm. For more information, go to [www.P65Warnings.ca.gov](http://www.P65Warnings.ca.gov).

Have adequate ventilation at all times and wash hands thoroughly after exposure.

With the firearm pointed in a safe direction, held in the proper firing position, keep your finger off the trigger and outside the trigger guard until you are aiming at the intended target and have decided to fire. Move the safety button forward to the “OFF” (FIRE) position. Once you intend to shoot, pulling the trigger through its full travel to the rear will fire the firearm.

Upon firing, the pressure generated by the powder combustion will push the bolt to its rearward position, extracting and ejecting the fired cartridge case. Upon reaching its most rearward position, the bolt will have recoiled the hammer and the bolt recoil spring will then push the bolt forward, feeding a new cartridge from the top of the magazine and chambering it. The firearm will again be ready to fire.

As the firearm was designed to fire semi-automatically only, it is mandatory to relieve pressure on the trigger after each shot in order to allow the disconnect to again connect the trigger to the firing mechanism. This cycle will be repeated every time the trigger is pulled until there are no cartridges remaining in the magazine.

After the last cartridge has been fired the magazine follower is designed to keep the bolt in the open position. If the magazine is removed from the firearm while the bolt is kept open by the follower the bolt will close. If the firearm is fired without a magazine, the bolt will not be held open and will need to be manually locked open by pulling the operating handle rearward then pushing the handle inward as indicated by the ARROW on the back of the operating handle.

To interrupt shooting and unload the firearm, keep the firearm pointed in a safe direction, move the safety button fully rearward to the “ON” (SAFE) position, remove the magazine and lock the bolt in the open position by pulling the



operating handle fully rearward then pushing the handle inward as indicated by the ARROW on the back of the operating handle.



As a safety procedure, every time shooting is interrupted or the firearm is unloaded, move the safety button fully rearward to the “ON” (SAFE) position and pull the operating handle fully rearward, then push the handle inward as indicated by the ARROW on the back of the operating handle to lock the bolt in the open position. Always visually and physically inspect the chamber, receiver, and magazine to make sure that all of the cartridges have been removed.



Should a cartridge fail to fire after pulling the trigger, move the safety button fully rearward to the “ON” (SAFE) position, keep the firearm pointed in a safe direction for at least 30 seconds in case of a “hangfire” (delayed firing of the cartridge after being struck by the firing pin). Then remove the magazine (as it may still have loaded cartridges), pull the operating handle fully rearward then push the handle inward as indicated by the ARROW on the back of the operating handle to lock the bolt in the open position and extract and eject the misfired cartridge. Segregate the misfired cartridge from other ammunition. Do not attempt to refire a misfired cartridge.



If at any time during firing, the sound of any given cartridge is noticeably louder or softer than previous cartridges fired, STOP! Do not load or fire additional cartridges until you have safely unloaded your firearm, moved the safety button fully rearward to the “ON” (SAFE) position and inspected it for possible damage or obstruction in the chamber or bore. (The bore is the inside surface of the barrel.) Firing the firearm with a bore obstruction can cause damage to the firearm and could cause serious injury or death to you or those around you.

If the need to inspect your firearm for possible damage or obstructions in the chamber or bore arises, keep the muzzle pointed in a safe direction. Remove the magazine (as it may still have loaded cartridges in it) while keeping the ejection port and magazine well opening of the firearm turned away from your face (to protect your eyes in the event a defective cartridge explodes). Pull the operating handle fully rearward then push the handle inward as indicated by the ARROW on the back of the operating handle to lock the bolt in the open position. Visually and physically inspect the chamber and receiver to make sure that all of the cartridges have been removed. After unloading, inspect your firearm for possible damage or obstructions in the chamber or bore.

Each brand and type of ammunition can produce different accuracy results. It is best to try as many brands and types of ammunition as possible to determine which performs best in your firearm.

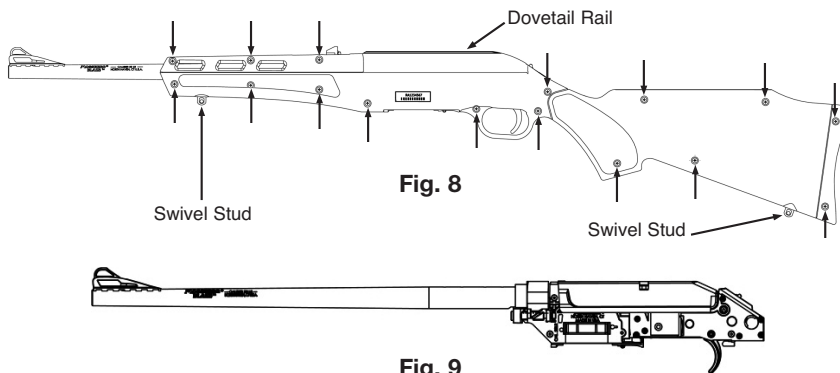
## DISASSEMBLY



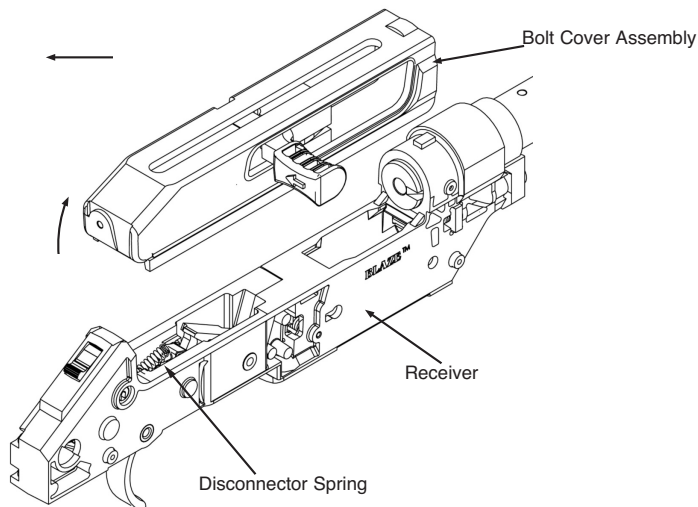
Move the safety button fully rearward to the “ON” (SAFE) position. Pull the operating handle fully rearward then push the handle inward as indicated by the ARROW on the back of the operating handle to lock the bolt in the open position. Visually and physically inspect the chamber, receiver, and magazine to make sure that all of the cartridges have been removed before disassembling the firearm. Always wear eye protection during disassembly and cleaning.

During disassembly/reassembly reference the “Exploded View” section of this manual for labeled and listed parts contained within this firearm.

Remove the sixteen #4 Plastite™ screws from the **LEFT** half of the stock shell (Fig. 8). Now separate the stock shells from one another, pivoting them about the top dovetail rail to disconnect the hinge connecting the two halves together. The rear sight and swivel studs will fall free from the stock shell. The action assembly (Fig. 9) can now be removed from the receiver shell.



Remove the bolt cover assembly from the action assembly. (Lift the back end up and then pull it away from the receiver (Fig. 10).)



**Fig. 10**



Do not dislodge the disconnecter spring from the internal components. Doing so will result in the firearm failing to function properly.

Do not pull the trigger when the firearm is disassembled, doing so can cause damage to the internal components.

At this point no further disassembly of the receiver should be performed. The screws in the receiver are covered with white security sealant to show that disassembly should not continue beyond this point. If any service is required to the receiver, return the entire firearm to the Produce Service Center or to a qualified gunsmith (refer to the "Service Instructions" section of this manual).

Place your thumb over the front face of the bolt then release the bolt by pulling the operating handle outward and slowly guide the bolt back to its forward position using your thumb. Allow the bolt to angle downwards out of the bolt cover until you are able to lift the operating handle free from the bolt. Continue to angle the bolt out of the bolt cover until you are able to remove the bolt, recoil spring, and recoil rod from the bolt cover (Fig. 11).

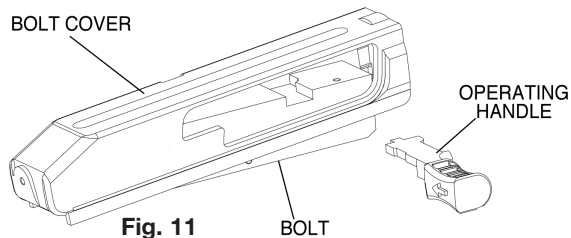


Fig. 11

Slide the recoil spring and recoil rod free from the bolt and each other (Fig. 12).

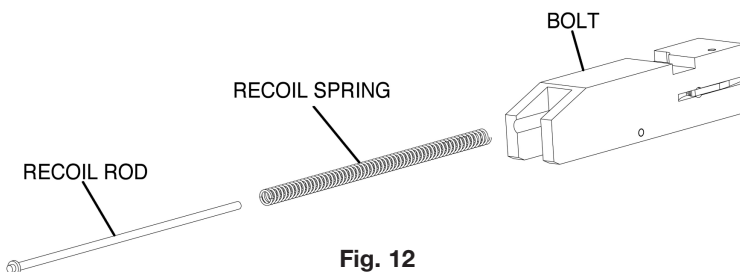


Fig. 12

Remove the barrel by removing the two barrel retainer screws (use a 5/32 hex key) and the barrel retainer (Fig. 13). The barrel can now be removed from the receiver.

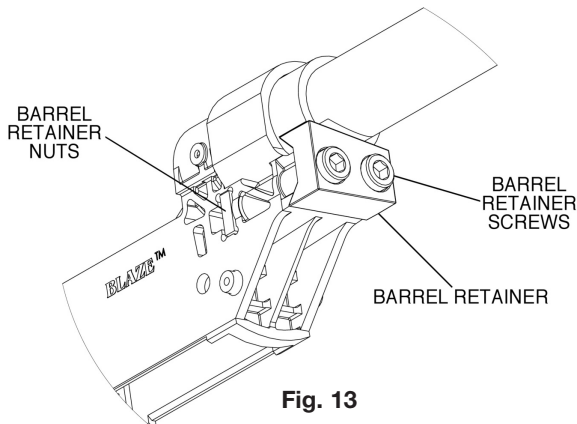


Fig. 13

## CLEANING AND LUBRICATION

**Note:** Semi-automatic firearms require more frequent cleaning than those that are manually operated.

With proper maintenance and care, your firearm will provide you with years of dependable service. Your firearm should be inspected and cleaned after every 200 rounds to ensure that it remains in good condition. However, unusually dusty, dirty, or harsh weather conditions, or use of dirty ammunition which leaves significant powder residue may necessitate more frequent cleaning.



Clean and lubricate your firearm as soon as possible after use. This is especially important if your firearm has been exposed to moisture. For maximum performance and continued satisfaction with your firearm, periodic cleaning and lubrication are essential. Always wear eye protection during cleaning and lubrication.

Use the instructions and equipment provided with a quality firearm cleaning kit.

All metal parts should be cleaned with firearm solvent and lightly lubricated with firearm oil. Over-lubrication should be avoided. Use only lubricants specifically designed for firearms. Avoid the use of abrasives which may damage the metal finish.

Normal use requires only that the mechanisms be free of excessive shooting residue. Very little lubrication other than a light oiling of external metal surfaces is needed to prevent rust.

If the firearm is to be stored for a long period of time it should be thoroughly cleaned and oiled to prevent rusting. Do not plug barrel or store in a fabric lined case that will absorb lubricant from the firearm.

### THE BOLT ASSEMBLY AND RECEIVER

In the receiver, special attention should be given to the bolt sliding surfaces. The bolt and the receiver must be carefully cleaned and free of any solid residues. Solid residues in the bolt/receiver areas may prevent the bolt from closing properly and the firearm may fail to fire.

### THE BARREL

Whenever possible, use cleaning products that allow cleaning the bore from breech to muzzle. If this is not possible, be very careful while introducing the cleaning rod into the barrel muzzle, thus avoiding any damage to the barrel crown (where the rifling comes to an end at the muzzle).

Using a .22 caliber brass cleaning brush moistened with solvent, scrub the bore several times.

Use a .22 caliber cleaning rod with a clean cloth to wipe the bore dry. Repeat several times using a new patch each time until the barrel is clean and shows no signs of residue.

Finally, wipe with a patch moistened with a quality gun oil. Do not over-lubricate, a light film is recommended.



**If during the disassembly or cleaning of your firearm you should detect any cracks, fractures, chips, or excessive wear, do not use your firearm until you have contacted the Product Service Center or a qualified gunsmith. Using broken or worn parts may result in damage to the firearm and could cause serious injury or death to you or those around you.**



Make sure the bore and receiver are free of obstructions and excessive lubricant after cleaning. Be sure not to leave cleaning patches or excessive oil or grease in the bore as they can create dangerous obstructions. Obstructions of any kind can cause damage to the firearm and could cause serious injury or death to you or those around you.

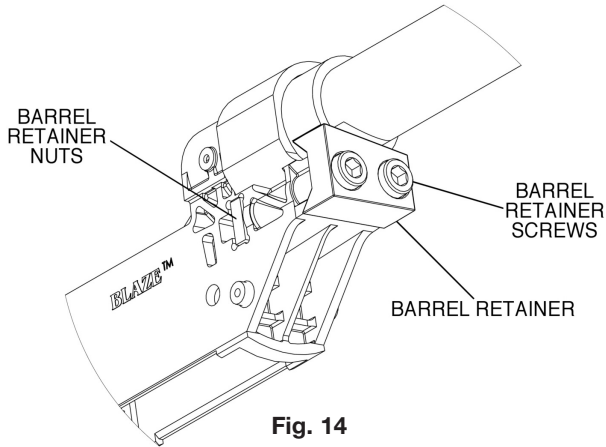


Camouflage firearms: Caution should be exercised to avoid exposure of camouflage patterns to solvents or insect repellants.



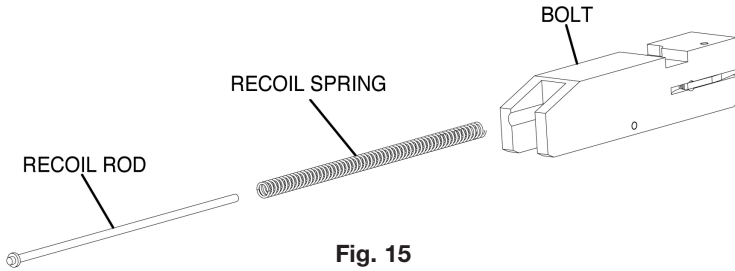
## REASSEMBLY

Slide the chamber end of the barrel into the receiver, orienting the front sight upwards. Install the barrel retainer by sliding it into its groove on the bottom of the barrel then install the barrel retainer nuts and screws (use a 5/32 hex key) until they are snug and then tighten a quarter turn (Do not over tighten) (Fig. 14).



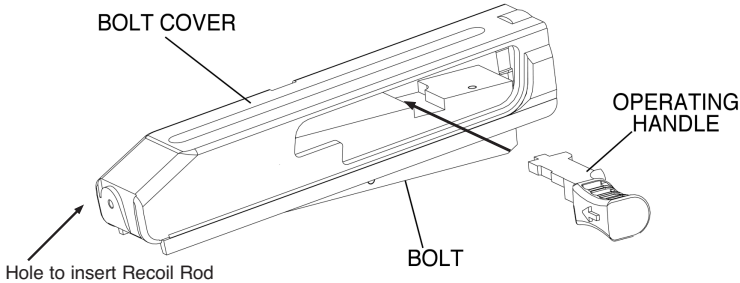
**Fig. 14**

Insert the recoil spring into the hole in the back of the bolt and then insert the recoil rod into the recoil spring (Fig. 15).



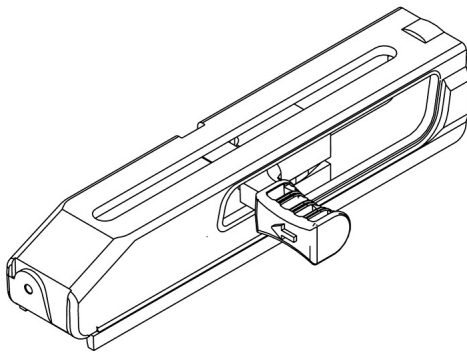
**Fig. 15**

Insert the bolt, recoil spring, and recoil rod into the bolt cover by first inserting the recoil rod into the small hole in the back interior portion of the bolt cover. Once the recoil rod is securely located in the small hole, push the bolt in at an angle similar to Figure 16 below, compressing the recoil spring. Insert the operating handle into the bolt with the arrow facing rearwards (Fig 16).



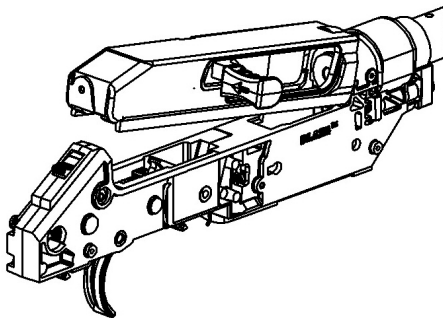
**Fig. 16**

Press the bolt against the top of the inside of the bolt cover, then pull the operating handle fully rearwards then push the handle inwards as indicated by the ARROW on the back of the operating handle to lock the bolt in the open position (Fig. 17).



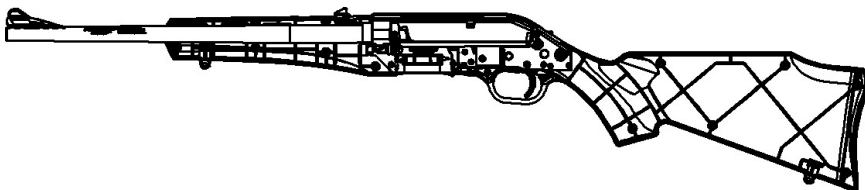
**Fig. 17**

Install the bolt cover assembly to the receiver by first sliding the front of the bolt cover over the chamber area of the receiver, then press the rear of the bolt cover down (Figure 18).



**Fig. 18**

Insert this completed action assembly into the **RIGHT** half of the stock shell (the **RIGHT** half has the ejection port) (Fig. 19).



**Fig. 19**

Insert the swivel stud into the slot on the stock shell and secure it by placing the groove on the swivel stud over the locating rib on the stock shell (repeat process for rear swivel stud). Then attach the rear sight (in the orientation shown) by pressing the rear sight base clamp over the rear sight rail on the stock shell using your thumb (loosen adjustment screw on the rear sight if necessary) (Fig. 20).

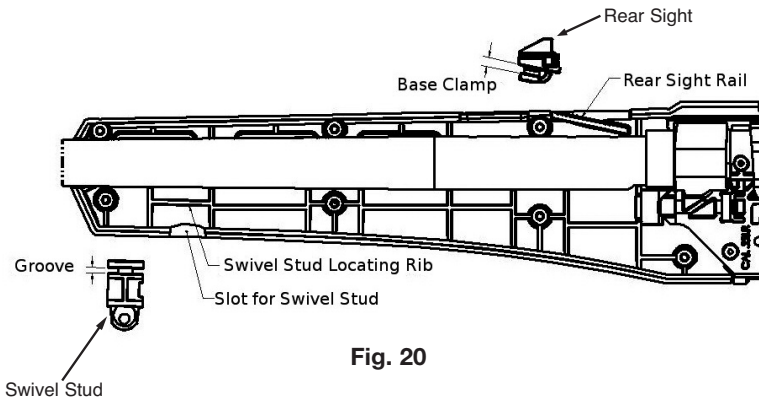


Fig. 20

Place the **LEFT** half of the stock shell over the **RIGHT**, snapping together the top hinge portion along the dovetail rail. Tighten the Plastite™ screws until snug. Do not over-tighten the Plastite™ screws as this can damage the stock shells. (Fig. 21)

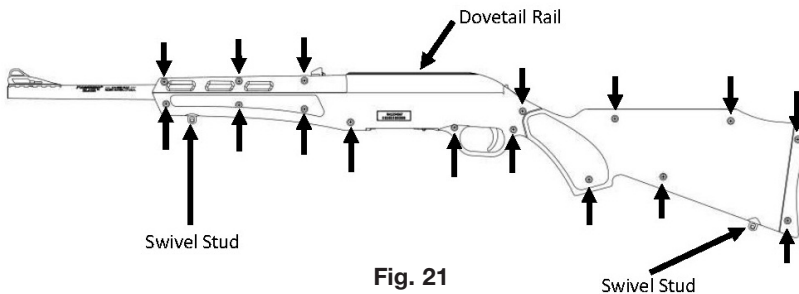


Fig. 21

## FUNCTION TESTING



Check your firearm for proper functioning before loading or firing live ammunition.



Move the safety button fully rearward to the "ON" (SAFE) position.



Be sure the firearm is completely unloaded by opening the action, removing the magazine and visually and physically inspecting the chamber, receiver and magazine to make sure that all of the cartridges have been removed. Keep the firearm pointed in a safe direction at all times.

Open and close the action several times to check for free movement of the action assembly.



Close the action and leave the safety button fully rearward in the “ON” (SAFE) position. Make certain the firearm is pointed in a safe direction. Pull the trigger fully rearward. The hammer should not release.

Remove your finger from the trigger. Move the safety button forward to the “OFF” (FIRE) position. The hammer should not release.

Leave the safety button in the “OFF” (FIRE) position. Make certain the firearm is pointed in a safe direction. Pull the trigger fully rearward. **THE HAMMER SHOULD RELEASE.**

When you have completed the function testing, lock the action in the open position by pulling the operating handle fully rearward, then push the handle inward, as indicated by the ARROW on the back of the operating handle, and move the safety button fully rearward to the “ON” (SAFE) position.



IF YOUR FIREARM DOES NOT PERFORM AS DESCRIBED IN ANY OF THE PREVIOUS STEPS, CONTACT THE FACTORY AUTHORIZED PRODUCT SERVICE CENTER IMMEDIATELY. DO NOT ATTEMPT TO USE THE FIREARM.



Firearms are complicated mechanisms. Any modification, alterations, or improper fitting of parts may result in a dangerous malfunction, damage to the firearm and could cause serious injury or death to you or those around you. The firearm’s owner must accept full responsibility for the correct reassembly and functioning of the firearm after any disassembly or replacement of parts.



PERIODICALLY CHECK THAT THE MUZZLE BRAKE (IF SO EQUIPPED) IS TIGHTENED FIRMLY ONTO THE BARREL.

## PRECAUTIONS AND CARE WITH YOUR FIREARM



When you store your firearm, make sure that the magazine and the chamber are empty. Visually and physically inspect the chamber, receiver and magazine to make sure that all of the cartridges have been removed.



Operation of the firearm and/or repeated disassembly may cause screws to loosen. Refer to the section of the manual entitled “Reassembly” and check all screws including the #4 Plastite™ screws periodically and at each cleaning interval to ensure the continued accuracy and safe operation of your firearm. Care should be taken not to over-tighten any screws as this may cause screws to strip.

Handling leaves moisture prints that can cause metal parts to rust. Abrupt changes in temperature cause condensation and moisture. Wipe the barrel and other metal parts with light oil after handling.

## SIGHT ADJUSTMENTS



Before making any sight adjustments, lock the action in the open position, by pulling the operating handle fully rearward, then push the handle inward, as indicated by the ARROW on the back of the operating handle, remove the magazine and visually and physically inspect the chamber and inside the receiver to make sure that all of the cartridges have been removed. Move the safety button fully rearward to the "ON" (SAFE) position and keep the muzzle pointed in a safe direction.

Elevation and windage adjustments can be made by loosening the rear sight adjustment screw and moving the rear sight as described below.

**Elevation adjustment:** To raise the point of impact, move the rear sight forward. To lower the point of impact, move the rear sight rearward.

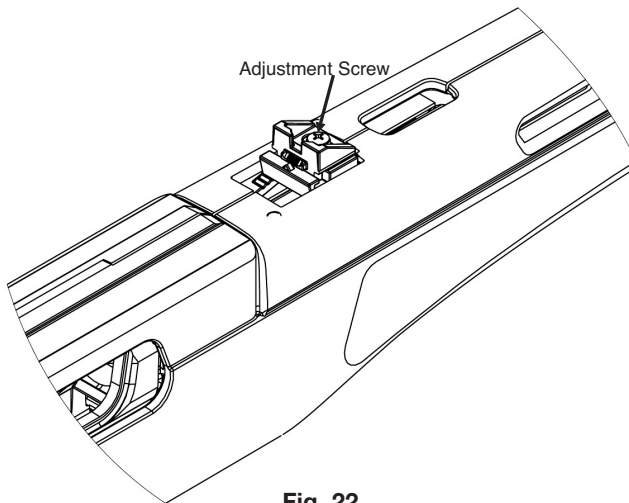


Fig. 22

**Windage adjustment:** To move the point of impact to the right move the rear sight to the right. To move the point of impact to the left move the rear sight to the left.

## SERVICE INSTRUCTIONS

Should your firearm or any component of your firearm require service, ship your entire firearm (please do not send components only), via your chosen carrier, postage paid (we do not accept C.O.D. shipments), following these instructions:

### Repairs in the U.S.

For faster repair service, please start the process by filling out our Service Request Form online at <http://www.mossberg.com/service> prior to shipping your firearm.



- **Make absolutely certain your firearm is unloaded.**
- **Do not send ammunition with your firearm.**
- Remove all accessories from your firearm such as scopes, slings, scope mounts, etc.
- Ship your firearm in a suitable container, packaging it securely to prevent parts from shifting and/or damage during shipping.
- Include a note with a clear description of the service you wish us to perform, your complete return shipping address (no P.O. boxes please), your daytime telephone number and your e-mail address (if available).
- It is advisable to place your correspondence inside your shipping container when shipping.

### SHIPPING ADDRESS

Mossberg Product Service Center  
1001 Industrial Blvd.  
Eagle Pass, TX 78852

If you have any service related questions, please contact the Product Service Center at (800) 363-3555 or [service@mossberg.com](mailto:service@mossberg.com)

### TO ORDER PARTS

To order parts from the Product Service Center, you can fax, phone, email, or mail your order to one of the below numbers/addresses.

Fax Number: (203) 230-5420

Phone Number: (800) 363-3555

E-mail Address: [service@mossberg.com](mailto:service@mossberg.com)

Mailing Address: Mossberg Product Service Center  
1001 Industrial Blvd.  
Eagle Pass, TX 78852  
Attn: Order Department

Please provide your name, address, city, state, zip, your daytime phone number and e-mail (if available). The Product Service Center will need the Model Number, Serial Number, Gauge/Caliber, Finish, Item Number, and Part Name. There is a \$7.50 (U.S.) minimum parts order charge. Most major credit cards, money orders, and bank drafts are accepted.

### **Service outside of the U.S.A.**

For Mossberg firearm parts and service requirements outside of the United States, customers are requested to contact the closest Mossberg stocking dealer/distributor.

**MOSSBERG® WARRANTY**  
**MOSSBERG BLAZE™**  
**TWO (2) YEAR LIMITED WARRANTY**

**Limited Warranty:** O.F. Mossberg & Sons, Inc. ("Mossberg") warrants to you, the original retail purchaser of a new Mossberg BLAZE™ (the "Mossberg firearm"), that the Mossberg firearm will be free of defects in material or manufacture for a period of two (2) years from the date of your purchase of the new Mossberg firearm (the "Warranty Period") in the United States or Canada. This is the only express warranty on the Mossberg firearm. MOSSBERG MAKES NO OTHER WARRANTIES OF ANY KIND OR CONDITIONS, INCLUDING, BUT NOT LIMITED TO ANY IMPLIED WARRANTY OF MERCHANTABILITY OR FITNESS FOR A PARTICULAR PURPOSE. This Limited Warranty gives you specific legal rights, and you may have other rights that vary from State to State.

**Purchaser's Remedy:** During the Warranty Period, Mossberg will, at its sole option, (1) repair the Mossberg firearm or any part thereof that, upon examination and testing by Mossberg, does not conform to the Limited Warranty without charge to you for parts or labor, or (2) replace the Mossberg firearm with a new or similar model. THIS REMEDY SHALL BE YOUR EXCLUSIVE AND SOLE REMEDY FOR ANY BREACH OF WARRANTY. MOSSBERG SHALL NOT BE RESPONSIBLE FOR ANY OTHER EXPENSES, LOSSES OR INCONVENIENCE THAT YOU MAY SUSTAIN AS A RESULT OF THE PURCHASE, USE, MALFUNCTION OR DEFECTIVE CONDITION OF THE MOSSBERG FIREARM. Mossberg reserves the right to inspect, examine and/or test the Mossberg firearm to assess any claim made under the Limited Warranty.

**EXCLUSIONS:** THIS WARRANTY DOES NOT COVER THE COSMETIC APPEARANCE OF THE MOSSBERG FIREARM OR ANY DAMAGE CAUSED BY:

- (1) NORMAL WEAR AND TEAR;
- (2) FAILURE TO PERFORM PROPER CARE AND MAINTENANCE;
- (3) ACCIDENTS, ABUSE OR NEGLIGENCE;
- (4) BARREL OR BORE OBSTRUCTIONS;
- (5) FAILURE TO FOLLOW THE INSTRUCTIONS AND WARNINGS THAT ACCOMPANY THE MOSSBERG FIREARM; OR
- (6) THE USE OF DEFECTIVE, NON-SAAMI STANDARD, REMANUFACTURED, HAND-LOADED, AND/OR RELOADED AMMUNITION.

IN ADDITION, ANY UNAUTHORIZED REPAIRS, ALTERATIONS OR MODIFICATIONS TO THE MOSSBERG FIREARM WILL AUTOMATICALLY VOID THE LIMITED WARRANTY.

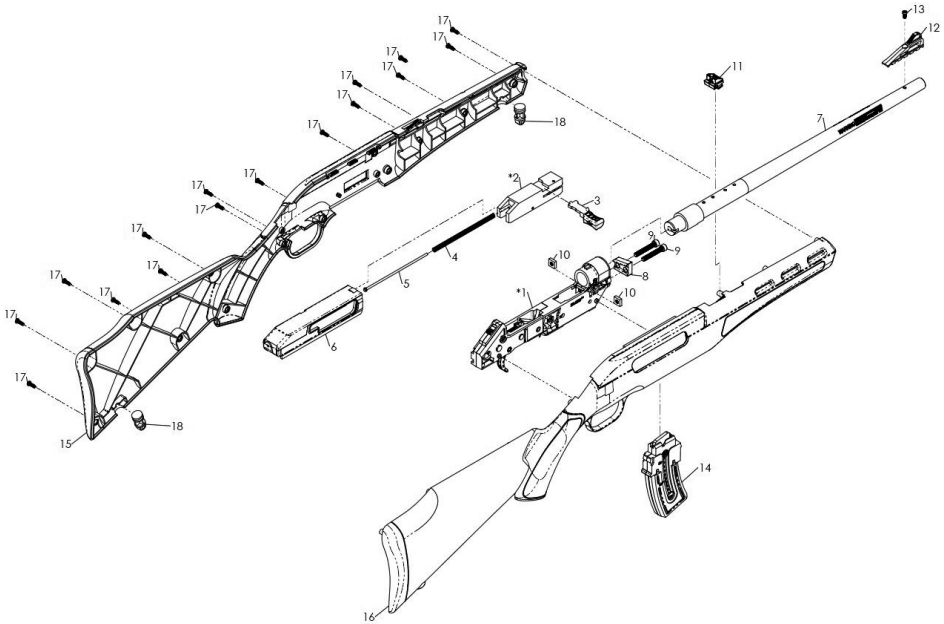
**LIMITATION OF DAMAGES:** EXCEPT WHERE PROHIBITED BY LAW, MOSSBERG WILL NOT BE LIABLE FOR ANY LOSS OR DAMAGE WHATSOEVER ARISING FROM THE USE OF THIS MOSSBERG FIREARM, WHETHER DIRECT, INDIRECT, SPECIAL, INCIDENTAL, CONSEQUENTIAL OR PUNITIVE, REGARDLESS OF THE LEGAL THEORY ASSERTED, INCLUDING CONTRACT, WARRANTY, NEGLIGENCE, OR STRICT LIABILITY. SOME JURISDICTIONS DO NOT ALLOW LIMITATIONS ON HOW LONG AN IMPLIED WARRANTY LASTS, OR THE EXCLUSION OF INCIDENTAL OR CONSEQUENTIAL DAMAGES, SO THE ABOVE LIMITATIONS MAY NOT APPLY TO YOU.

**Warranty Service:** To obtain service under this Limited Warranty, you must follow the instructions found in the "Service Instructions" section of the Owner's Manual and return the Mossberg firearm to the authorized Product Service Center. You are responsible for all shipping costs to the Product Service Center. Mossberg will not accept COD shipments of any Mossberg firearm for service. After repair or replacement, the Mossberg firearm or a similar model will be returned to you, return postage paid by Mossberg. If we replace the Mossberg firearm, we will keep the firearm that you returned to Mossberg.

**Modification of Warranty:** No agent, representative, distributor, or authorized dealer of Mossberg firearms has any authority to modify the terms or conditions of the Limited Warranty in any way. The Limited Warranty may only be modified in writing by an authorized officer of Mossberg.

**THIS LIMITED WARRANTY IS EFFECTIVE JANUARY 1, 2014.**

## EXPLODED VIEW



### MOSSBERG MODEL BLAZE™

ITEM	DESCRIPTION	ITEM	DESCRIPTION
*1	RECEIVER	10	SQUARE NUT
2	BOLT ASSEMBLY	11	REAR SIGHT ASSEMBLY
3	OPERATING HANDLE	12	FRONT SIGHT
4	RECOIL SPRING	13	SIGHT SCREW
5	RECOIL ROD	14	MAGAZINE ASSEMBLY 10 RD
6	BOLT COVER	15	STOCK SHELL, LEFT
7	BARREL	16	STOCK SHELL, RIGHT
8	BARREL RETAINER	17	#4-20 X 3/8 PLASTITE SCREW
9	SCREW	18	SWIVEL STUD, SYNTHETIC

\*Items on parts list are reserved for gunsmiths or authorized Product Service Center.



**NOTES**





**NOTES**

A large, empty rectangular box with a double-line border, intended for handwritten notes.



## **FIREARMS SAFETY DEPENDS ON YOU. MAKE NO MISTAKE ABOUT IT!**

From the time an individual picks up a firearm, that individual shooter becomes a part of a system over which he or she has complete control. He or she is the only part of the system that can make a gun safe – or unsafe. Hunting and target shooting are among the safest of all sports. This booklet is intended to make them even safer – by re-emphasizing and reaffirming the basics of safe gun handling and storage and by reminding each individual shooter that he or she is the key to firearms safety. You can help meet this responsibility by enrolling in hunter safety or shooting safety courses. You must constantly stress safety when handling firearms, especially to children and non-shooters. Newcomers in particular must be closely supervised when handling firearms with which they may not be acquainted. Don't be timid when it comes to gun safety. If you observe anyone violating any safety precautions, you have an obligation to suggest safer handling practices, such as those in this booklet. Please read these rules carefully and follow the safety procedures outlined. Firearms safety is up to you. Make no mistake about it.

- 1. ALWAYS KEEP THE MUZZLE POINTED IN A SAFE DIRECTION**
- 2. FIREARMS SHOULD BE UNLOADED WHEN NOT ACTUALLY IN USE**
- 3. DON'T RELY ON YOUR GUN'S "SAFETY"**
- 4. BE SURE OF YOUR TARGET AND WHAT'S BEYOND IT**
- 5. USE CORRECT AMMUNITION**
- 6. IF YOUR GUN FAILS TO FIRE WHEN THE TRIGGER IS PULLED, HANDLE WITH CARE**
- 7. ALWAYS WEAR EYE AND EAR PROTECTION WHEN SHOOTING**
- 8. BE SURE THE BARREL IS CLEAR OF OBSTRUCTIONS BEFORE SHOOTING**
- 9. DO NOT ALTER OR MODIFY YOUR GUN, AND HAVE GUNS SERVICED REGULARLY**
- 10. LEARN THE MECHANICAL AND HANDLING CHARACTERISTICS OF THE FIREARM YOU ARE USING**

*Courtesy of  
Sporting Arms and Ammunition Manufacturers' Institute, Inc.*