
EA/R

Windicator Series

Double Action Revolver



WARNINGS AND INSTRUCTION MANUAL

European American Armory Corp
P.O. Box 3008
Cocoa, FL 32924
(321) 639-4842
www.eaacorp.com
Email: eaacorp@eaacorp.com

© Copyright 2009

EA/R Windicator Series Double Action Revolver

WARNINGS AND INSTRUCTION MANUAL PLEASE READ THESE INSTRUCTIONS

MODEL NUMBER FINISH	BARREL LENGTH	CALIBERS	
EA/R	4" or 6"	.22LR or .22WMR	Blue
	2" or 4" or 6"	.38SPLB or	Chrome
	2" or 4" or 6"	.38SPL or .357MAG	Blue

GENERAL INFORMATION:

Capacity- 6 chambers (load only 5); Internal Safety

Sights- fixed or adjustable; Grips- synthetic

Weight (average) - 2" Barrel = 26 oz.; 4" Barrel = 30 oz.; 6" = 34 oz.

FOR YOUR SAFETY AND THE SAFETY OF OTHERS, this owner's manual contains important warnings, instructions and safety procedures which must be understood BEFORE using this firearm. Read the **ENTIRE MANUAL** and if you do not understand any part of it or the operation of your revolver, stop and seek professional firearms instruction. You can get a copy of this manual from European American Armory Corp. upon request.

Record the serial number of your firearm (located on the upper right hand of the receiver):

and a description of it:

Make a copy of this manual and the proof of purchase/sales record for safekeeping in a secure safe or fireproof container. Such proof is necessary if the firearm is damaged, stolen or sent in for warranty repair.

 **WARNING**
****YOU RISK PERSONAL INJURY OR DEATH**
BY HANDLING THIS FIREARM**

Before handling any firearm, make sure you know the safety procedures and most importantly, keep the firearm pointed in a safe direction.

Before handling this firearm, read, understand and follow the instructions in this manual. Always keep this manual with the firearm. If you lend, give or sell this firearm, be sure the manual goes with it. If there is anything you do not understand, seek advice from someone qualified in safe handling of firearms. You must ALWAYS obey the following warnings, instructions and safety procedures:

1. Always keep the muzzle pointed in a safe direction.
2. Firearms should be unloaded and secured when not actually in use.
3. Don't rely on your firearm's safety.
4. Be sure of your target and what's beyond it.
5. Use only proper ammunition matching the precise caliber of your specific revolver.
6. If your revolver fails to fire when the trigger is pulled, handle with care.
7. Always wear ear and eye protection when shooting.
8. Be sure the barrel is clear of obstructions before shooting.
9. Don't alter or modify your firearm and have it serviced regularly.
10. Learn the mechanical and handling characteristics of your revolver.
11. Shoot sober!

Type Of Ammunition To Be Used

It is suggested that high quality commercially manufactured ammunition be used in this firearm. Avoid military surplus or old ammunition as it may not fire with sufficient force to expel the projectile from the barrel. **The use of reloaded, Super-Vel, +P, high pressure or hand-loaded ammunition can be dangerous and will void the warranty.**

LEAD WARNING: The actual firearm does not contain any lead; however, it does fire ammunition which contains lead or lead compounds known to the State of California to cause cancer, birth defects, reproductive toxicity, and other serious physical injury. Those who discharge a firearm, stand near someone who discharges a firearm or clean firearms are hereby warned of the dangers presented by lead and lead compounds and should take protective health measures. Avoid exposure to lead while handling and wash your hands after contact. Proper air ventilation is absolutely necessary when shooting indoors.



WARNING: These products can expose you to chemicals including LEAD, which is known to the State of California to cause cancer and birth defects or other reproductive harm. For more information go to www.P65Warnings.ca.gov.



ADVERTENCIA: Este producto puede exponerle a químicos incluyendo PLOMO, que es conocido por el Estado de California como causante de cáncer y defectos de nacimiento u otros daños reproductivos. Para mayor información, visite www.P65Warnings.ca.gov.

NOTICE

REVOLVERS ARE CLASSIFIED AS FIREARMS OR DANGEROUS WEAPONS and are sold by European American Armory Corp. with the specific understanding that we are not responsible in any manner whatsoever for their safe handling or resale under local laws and regulations.

European American Armory Corp. shall not be responsible in any manner whatsoever for malfunctioning of the firearm, for physical injury or for property damage resulting in whole or in part from (1) intentional or negligent discharge, (2) improper or careless handling, (3) unauthorized modifications and/or alteration of the internal/safety mechanisms, (4) defective, improper, high pressure, hand-loaded, or reloaded ammunition, (5) corrosion and/or lack of proper maintenance (6) neglect, or (7) other influences beyond our direct and immediate control. This limitation applies regardless of whether liability is asserted on the basis of contract, negligence or strict liability (including any failure to warn). Under no circumstance shall European American Armory Corp. be liable for incidental or consequential damages, such as loss of use of property, commercial loss and loss of earnings or profits.

FOLLOWING THESE SAFETY RULES CAN SAVE YOUR LIFE OR THE LIFE OF SOMEONE ELSE

Get competent firearms instruction in safe handling before using this firearm. Please ask your dealer for names of qualified instructors near you. All guns are extremely dangerous if carelessly handled or used. Remember that the firearm user is the primary “safety” and that reliance on any mechanical safety device should never replace safe handling procedures.

This firearm **WILL FIRE** if a cartridge is in the chamber, the hammer is fully cocked and the trigger is pulled.

DO NOT LOAD THIS REVOLVER UNTIL YOU UNDERSTAND HOW IT OPERATES. KEEP this revolver unloaded at all times except when you are ready to fire and are sure of your target.

ALWAYS carry this revolver in a case or original box unloaded.

NEVER point this revolver at anything that is not your intended target even if the revolver is unloaded. When loading, unloading, cleaning or handling, always be sure the muzzle is pointed in a safe direction and always keep your finger off the trigger.

NEVER assume any gun is unloaded. Before handling, check to make sure the chamber is empty. See Unloading Instructions. Make sure you know that this or any firearm is fully unloaded before displaying or handling it. When handling any firearm, keep your fingers away from the trigger at all times until you intend to fire.

Get instructions from a competent firearms instructor before using this or any firearm. Learn from a professional how to handle, load, unload, operate, fire and care for your gun.

NEVER PLAY with your firearm. It is not a toy and can be a very dangerous weapon that can cause serious personal injury or death.

Always keep the gun pointed in a safe direction. Treat every gun as if it is loaded...all the time. **NEVER** point any firearm (loaded or unloaded) at any person or anything you do not intend to shoot. Always keep your gun unloaded until ready to use and make sure that it is unloaded before cleaning.

Keep your finger **OFF** the trigger until you are actually aiming at the target and ready to shoot. Learn to rest your finger outside of the trigger guard.

Never rely on a gun’s “safety” to protect you from unsafe gun handling. A safety is only a mechanical device, not a substitute for using common sense and following gun safety procedures.

FOLLOWING THESE SAFETY RULES CAN SAVE YOUR LIFE OR THE LIFE OF SOMEONE ELSE

Never leave a gun unattended or where it could fall.

Store guns and ammunition separately **beyond the reach of children**. Make sure that they are properly secured so untrained individuals and children will be denied access to your guns and ammunition.

Test your gun's operation and safeties only at a shooting range while the firearm is pointed in a safe direction.

Know your target and what is beyond. Ask yourself what your projectile will hit if it misses the target or passes through the intended target. Remember, a fired projectile can travel over a mile (including a ricochet) and is capable of going through walls. Never shoot at hard flat surfaces or water. . . bullets ricochet.

Guns and alcohol or drugs do not mix. Don't take any alcoholic beverages and/ or drugs before or during shooting activities.

Never pull a gun toward you by the muzzle. Don't climb a tree, cross a ditch or fence with a loaded gun.

Always empty guns before entering a house, car, truck, boat, RV, camp or any building.

When receiving a gun, always open the action and check to make sure the chamber is unloaded.

NEVER accept anyone's word that a gun is "unloaded" or "empty." You should immediately open the action and check to make sure it is unloaded.

Be careful with **ALL** ammunition. Even "blank" cartridges are deadly at close range due to the muzzle blast. Make sure your ammunition is new and in good clean condition. Do **NOT** oil or grease ammunition as this may damage the cartridge primer. Do **NOT** tamper with or alter the standard factory ammunition.

Keep firearms unloaded when not actually in use. Load the gun only when on the range preparing to fire and unload it before leaving the range.

Never put your hand over the muzzle of a gun.

ALWAYS WEAR protective shooting glasses and hearing protection when using firearms.

Spectators should be at least 10 feet behind and away from the shooter while the shooter is loading, shooting and unloading. Spectators should wear protection

FOLLOWING THESE SAFETY RULES CAN SAVE YOUR LIFE OR THE LIFE OF SOMEONE ELSE

for hearing and sight loss and they should avoid distracting those shooting their firearms.

Never carry a handgun in your pocket, purse or tucked in a belt or waistband. Use a revolver case or a proper holster with a safety flap or strap.

Never drop your gun. If you do drop it, unload it and check it for proper function before using it again.

Do **NOT** alter or modify your gun. Don't try to change your gun's trigger pull, because it may affect sear engagement and thereby cause accidental firing.

Do **NOT** remove any internal safety or safety device on the firearm. Safety mechanisms are designed to help protect you from injury or death.

Properly maintain and keep your gun clean. Keep in a dry place away from other metals and water. If your gun shows sign of corrosion or improper operation, have it serviced by a competent gunsmith.

Keep the muzzle pointed in a safe direction when loading and unloading your gun. Never point the muzzle at anyone.

If a gun fails to fire when the trigger is pulled, keep it pointed down range at the target for 60 seconds. Sometimes slow primer ignition may cause a delay in full ignition of a cartridge. If after 60 seconds the cartridge does not fire, keep the muzzle pointed in safe direction and avoid exposure to the breech, as you attempt to unload your firearm.

Never let water, snow, mud or other material enter the barrels. Always be sure the barrels are free of any obstruction.

Since many ammunition identifications sound similar, be sure that you use only the correct ammunition for your gun. Do **NOT** use the wrong size or wrong strength ammunition in your firearm.

Teach children: 1. **NOT** to touch guns, bullets, cartridges, shells, flares or any explosive device and 2. That if they discovery such a dangerous item or weapon, they must immediately report its location to their parents, school teacher or police.

Remember a firearm has the capability of taking your life or the life of someone else. Be careful with your firearm — an accident is almost always the result of not following basic safety rules.

Use the Security Lock Provided with your Revolver

This revolver comes with a security lock to assist in protecting against unauthorized use. See **Figure 1**. The revolver must be unloaded when the security lock is in place on the revolver. **WARNING:** Using the security lock cannot substitute for securing your firearm and ammunition in separate, locked locations.



Figure 1

Always store the key to the security lock: (1) in a separate location away from the revolver; (2) in a secure location unknown and not accessible to others, especially children. Whether you secure your firearms by using the supplied security lock, a gun lock or safe or some other mechanism, it is **YOUR RESPONSIBILITY** to store your firearms in such a manner that children and other unauthorized persons cannot gain access to them.

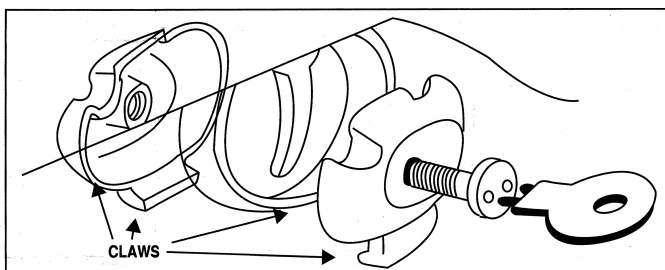
USED FIREARMS - Firearms are sometimes altered to work incorrectly, or parts may be removed, lost or replaced with incorrect parts. If you got your European American Armory Corp. firearm as a used gun, **BEFORE USING IT** you should take it to a good gunsmith who knows European American Armory Corp. firearms, and have him examine it.

WRITE EUROPEAN AMERICAN ARMORY CORP.

concerning any items or circumstances which you don't understand and which might relate to your safety and the operation of your firearm at: European

GUN TRIGGER LOCK INSTRUCTIONS - PLEASE READ CAREFULLY
DANGER! WE RECOMMEND YOU DO NOT INSTALL THESE SAFETY
DEVICES WHILE FIREARM IS LOADED!

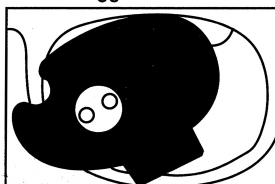
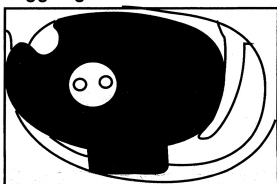
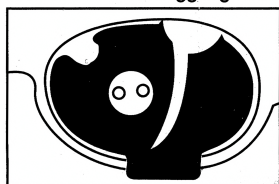
1. Use the provided key to unscrew locking bolt and take Trigger Lock apart.
2. Fit Trigger Lock into trigger guard of firearm. **IMPORTANT:** make sure Trigger Lock's "claw" fits around front of trigger guard to prevent backward motion of trigger.
3. On many rifles, Trigger Lock can be set in front of trigger inside trigger guard.
4. Trigger Lock can be turned inside most larger trigger guards (such as on magnum handguns, rifles or shotguns) to lock trigger access. Claws should be looked around trigger guard to prevent trigger motion.
5. When the correct position for your particular firearm is found, tighten locking bolt firmly with key. Trigger is then protected.



MOST HANDGUNS: Trigger Lock fits around trigger, with "claws" in front of trigger guard.

MANY RIFLES: Trigger Lock fits in front of trigger inside trigger guard.

LARGE TRIGGER GUARDS: Turn Trigger Lock until it fits in front of trigger.



WARNING: Cancer and Reproductive Harm -
www.P65Warnings.ca.go

DAC'S GUN MOTION ALARM (not included) can be used together with Trigger Lock on most firearms by fitting in notch. **CAUTION: NEVER INSTALL ON A LOADED GUN.** DAC Technologies recommends that the FIREARM BE UNLOADED while installing your TRIGGER LOCK. TRIGGER LOCK is not guaranteed to lock all firearms. Neither the manufacturer nor its retailers will accept any responsibility for accident or injury in the use of this product.

WARRANTY: TRIGGER LOCK is guaranteed from defects in materials and workmanship in normal use for a period of one year from date of purchase

Enjoy the safety of your new Trigger Lock & Gun Alarm and the security you will feel with firearm protection for your family and children.

DAC Technologies Group International, Inc. Little Rock, AR 72210 USA
Sales@dactec.com 1-800-920-0098 Made in China

European American Armory Corp., 1426 King Street, Cocoa, FL 32922
Phone: (321) 639-4842.

W A R N I N G (POTENTIAL OBSTRUCTIONS)

BEFORE LOADING or firing a revolver, examine the bore and the firing chamber to be certain they are clean and free of any obstruction. Even a heavy coat of oil, grease, snow or water may result in damage to the firearm and injury to the shooter and/or persons near the firearm. A misfire or unusual sound upon firing is a signal to cease firing and to examine the chamber and bore. If there is any obstruction, clear the obstruction and clean the bore and chamber before firing

Any bore obstruction, even if it is only partly blocked, may cause the gun to blow up if it is fired, or may cause damage to the gun such as a bulged barrel. To avoid injury or death to the shooter or bystanders, check the barrel before shooting or if a shot does not sound normal.

W A R N I N G

Always keep the muzzle pointed in a safe direction! Never attempt to load or unload any firearm inside a vehicle, building or other confined space (except a properly constructed shooting range). Enclosed areas frequently offer no completely safe direction in which to point the firearm. If an accidental discharge occurs, there is great risk of death, personal injury or property damage. Before loading, always clean all, grease and oil from the bore and chamber, and check to be certain that no obstruction is in the barrel. Any foreign matter in the barrel could result in a bulged or burst barrel or other damage to the firearm and could cause serious injury to the shooter or to others.

W A R N I N G

If there is any reason to suspect that a projectile or any other object is obstructing the barrel, immediately unload the firearm (See Unloading Instructions) and check the chamber and the bore. A wad, shot or some other matter that may be lodged some distance down the barrel where it can not easily be seen. Check the bore by using a cleaning rod to pass through the barrel. If a blockage is in the bore, **DO NOT ATTEMPT TO SHOOT IT OUT WITH ANOTHER CARTRIDGE, OR BLOW IT OUT WITH A BLANK CARTRIDGE OR A CARTRIDGE FROM WHICH THE SHOT HAS BEEN REMOVED. SUCH TECHNIQUE(S) CAN GENERATE EXCESSIVE PRESSURE, DAMAGE THE FIREARM AND CAUSE SERIOUS PERSONAL INJURY.** If the blockage can be removed with a cleaning rod, clean any unburned powder grains from the bore, chambers and mechanism before resuming shooting. If the blockage can not be dislodged by tapping it with a cleaning rod, take the firearm to a gunsmith.

W A R N I N G (EYE AND EAR PROTECTION)

When shooting, full eye and ear protection is mandatory at all times. Shooters and spectators must wear shooting glasses and hearing protection to prevent eye injury and hearing loss. Vision and hearing impairment can occur with only one moment of non-protection.

⚠ W A R N I N G (Mechanical Malfunctions)

STOP SHOOTING IMMEDIATELY AND UNLOAD YOUR FIREARM if your firearm develops: a mechanical malfunction; binding or stoppage; spitting powder/gas; a punctured cartridge primer; a bulged or ruptured cartridge case; or a sound on firing does not sound quite right. Do **NOT** try one more shot but unload your firearm and take it and the ammunition to a qualified gunsmith or send the firearm back to European American Armory Corp. for examination. Do not assume that the revolver is empty merely because you checked the chamber. You must also check the bore for any bullet or other material jammed inside the barrel.

BASIC PARTS OF YOUR REVOLVER

INTERNAL AND EXTERNAL CONTROL PARTS:

Internal Safety: The safety mechanism of the revolver provides protection against accidental and unintentional discharge under normal usage when properly engaged and in good working order. The safety mechanism is not a substitute for following the rules of safe gun handling. **MAKE SURE YOU UNDERSTAND HOW THE SAFETY WORKS BEFORE YOU LOAD OR USE THE REVOLVER.**

The internal safety device keeps the hammer from striking the firing pin except when the hammer is all the way back in the full cock position and the trigger is pulled completely to the rear. After each shot, the trigger must return to the forward position. If it does not, unload the revolver immediately and do not use it until it has been repaired by European American Armory Corp. or a competent gunsmith.



Figure 6

Frame: The frame is the portion of the revolver into which the cylinder is secured. See **Figure 6**.

Cylinder: The cylinder is located in the frame of the revolver. See **Figure 7**. The cylinder contains six chambers. Note: While this revolver has an internal safety device and does not require an unloaded chamber under the hammer, European American Armory Corp. recommends that you keep one chamber empty in the cylinder and rest the hammer on that empty chamber.

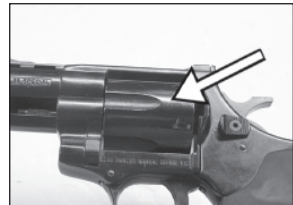


Figure 7

Cylinder Latch: The cylinder latch is located on the left side of the revolver behind the cylinder. See **Figure 8**. The cylinder latch, when depressed, allows the cylinder to be released and move out of the frame. When out of the frame, the revolver can be loaded or unloaded.

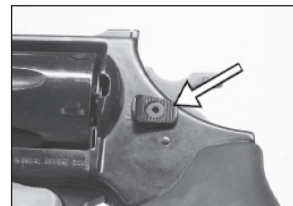


Figure 8

Ejector Rod: The ejector rod is pushed while unloading the revolver in order to eject any cartridges and/or empty casings from the cylinder chambers. See **Figure 9**.

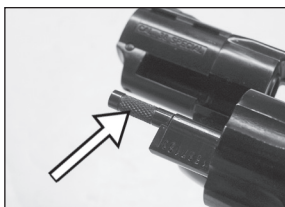


Figure 9

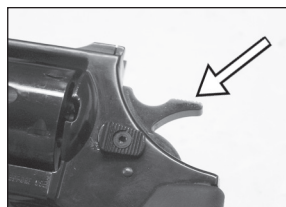


Figure 10

Hammer: The hammer is located behind the cylinder. See **Figure 10**. When the trigger is pulled (and the hammer is either down for double action firing or cocked for single action firing), the hammer falls to strike the firing pin and discharge the revolver.



Figure 11

Trigger: The trigger is located in the trigger guard. See **Figure 11**. When firing in double action, pull the trigger with the required force and it will cause the hammer to move backward and fall forward to fire the revolver. In single action, pull the trigger after the hammer is fully cocked to allow the hammer to fall forward and fire the revolver.



Figure 12

⚠ WARNING!

Never pull the trigger until you are actually ready to fire. Keep your fingers off the trigger and outside of the trigger guard until you are ready to pull the trigger and fire the revolver.



Figure 13

Trigger Guard: The trigger guard is located around the trigger. See **Figure 12**. It protects the trigger. Keep your finger out of the trigger guard and off the trigger until you are ready to fire.

Grip: The grip is that portion of the revolver used by the shooter to grasp the revolver. See **Figure 13**.

The Serial Number: The revolver's serial number is located on the upper right hand side of the receiver.



Figure 14

Front Sight/Rear Sight: The sights are located on top of the barrel on the muzzle end and above and in front of the hammer. See **Figures 14** and **15**.



Figure 15

Holster: A good quality, properly designed holster should be used for safe carrying of your revolver. It must be the correct size, and it should have a safety flap or strap or other means of securing the revolver so it cannot fall out.

⚠ WARNING!

Do not carry the revolver cocked.

⚠ WARNING!

Do not carry it in a pocket or tucked into a waistband or belt or other informal means.

LOADING AND UNLOADING YOUR REVOLVER

⚠ WARNING!

Never load the revolver until you are ready to use it.

⚠ WARNING!

Make sure the revolver is pointed in a safe direction at all times while loading and unloading. **NEVER** allow your fingers or other objects to contact the trigger while loading or unloading.

TO LOAD:

- 1) Make sure the ammunition that you are using is the correct caliber. The barrel is marked with the caliber of the cartridge.
- 2) Visually inspect the chambers and barrel for obstructions. The chambers and barrel should be free of oil or grease or obstructions. See **Figure 16**.
- 3) After inspection, use two hands to control the revolver so that it does not fall from your grasp. Push the cylinder latch forward with the thumb of one hand, and with your other hand, push on the right side of the cylinder. See **Figure 17**. The cylinder will swing out of the frame to the left.
- 4) With the barrel pointing down, load the chambers. See **Figure 18**.
- 5) Keeping your fingers off the trigger, push the cylinder back into the frame with your hand and press firmly until you feel it latch into place. See **Figure 19**.



Figure 16



Figure 17



Figure 18



Figure 19

⚠ WARNING !

The revolver is now loaded and ready to fire. Be extremely **CAREFUL**.

⚠ WARNING !

NEVER snap the cylinder closed by twisting your wrist or slam it into the frame forcefully in any way. This can damage the revolver and make it dangerous to the shooter or bystanders.

TO UNLOAD AND/OR EXTRACT EMPTY CASES:

- 1) Use both hands during unloading so the revolver and ammunition cartridges/empty cases do not fall. See **Figure 20**.



Figure 20

⚠ WARNING !

Keep your fingers out of the trigger guard and off the trigger.

- 2) Point the barrel down. See **Figure 21**.



Figure 21

- 3) Open the cylinder by pushing the cylinder latch forward and pushing the cylinder out of the frame. See **Figure 22**.

- 4) Cupping one hand behind the cylinder, point the barrel up and push the ejector rod to eject the cartridges/empty cases from the chambers of the cylinder. See **Figure 23**.



Figure 22

HANDLING YOUR REVOLVER

⚠ WARNING !

Never load your revolver until you are ready to fire the revolver.

⚠ WARNING (HANDLING)

Do not load the revolver until you are ready to use it.

NEVER CARRY ANY REVOLVER WITH THE HAMMER COCKED OR WITH THE TRIGGER HELD TO THE REAR.

If the trigger is held to the rear, the gun can fire if the hammer strikes the firing pin. Note that it need not be a deliberate effort to pull the trigger. Any situation where the trigger attains its rearward position and the hammer hits the firing pin can cause the cartridge under the firing pin to discharge



Figure 23

if the hammer falls or is struck. NEVER DROP OR STRIKE ANY REVOLVER—COCKED OR UNCOCKED. ALWAYS CARRY AND HANDLE THE REVOLVER IN SUCH A MANNER THAT THE HAMMER WILL NOT BE STRUCK.

HANDLING IN GENERAL

This revolver has an internal safety and does not require an unloaded chamber under the hammer. However, it is a good safety practice and we recommend that you keep one chamber empty in the cylinder and rest the hammer on this empty chamber.

This revolver has an internal safety device that keeps the hammer from striking the firing pin except when the hammer is all the way back in the fully cock position and the trigger is pulled completely to the rear. After each shot, the trigger must return to the forward position. If it does not, unload the revolver immediately and do not use it until it has been repaired by European American Armory Corp. or a competent gunsmith.

This is a double action revolver and thus, you cock the hammer by pulling the trigger. Always keep your finger off the trigger while handling this firearm. The only time you should pull the trigger is when firing the revolver or when carefully lowering the hammer. Never force the trigger or hammer to move.

FIRING YOUR REVOLVER

WARNING

Keep your finger off the trigger and the revolver pointed in a safe direction until you are ready to fire.

WARNING

If a cartridge does not fire and the trigger has been pulled, Stop! Then do the following: **a)** Make sure the gun is pointed in a safe direction **b)** Wait 60 seconds **d)** Follow the instructions above for unloading the revolver.

WARNING

If during firing the sound of any cartridge is noticeably softer or louder than the previous cartridge fired, Stop! Then do the following: **a)** Make sure the gun is pointed in a safe direction **b)** Follow the instructions above for unloading the revolver and **c)** With the revolver unloaded visually inspect the revolver for barrel

blockage or damage. Then inspect the receiver of the revolver for damage before continuing.

READ, UNDERSTAND AND FOLLOW ALL WARNINGS AND INSTRUCTIONS IN THIS MANUAL BEFORE FIRING THE REVOLVER.



Figure 24

TO FIRE THE REVOLVER:

DOUBLE ACTION FIRING

- 1) Point the muzzle in the direction of fire. See **Figure 24**.
- 2) With your finger out of the trigger guard and off the trigger, secure the revolver with a one- or two-handed grip. See **Figure 25**.
- 3) Aim the revolver. See **Figure 26**.



Figure 25



Figure 26

⚠ WARNING !

Be sure of your target and your backstop!

- 4) Put your finger on the trigger and squeeze. The trigger will automatically move the hammer back, deactivate the internal safety and let the hammer fall forward to fire the revolver. See **Figure 27**.



Figure 27

SINGLE ACTION FIRING (NOT FOR BOBBED HAMMER)

- 1) Point the muzzle in the direction of fire. See **Figure 28**.
- 2) **COCKING:** Place the fore portion of the thumb firmly on the hammer spur and pull the hammer fully to the rear until it stops. Then permit the hammer to move very slightly forward until the trigger engages the hammer at full cock. See **Figure 29**.



Figure 28



Figure 29

⚠ WARNING !

When cocking the hammer, have a firm hold on the

grip with the shooting hand. **DO NOT TOUCH THE TRIGGER WHILE COCKING THE HAMMER. TOUCH THE TRIGGER ONLY WHEN YOU ARE READY TO FIRE.**

- 3) **FIRING:** Once the hammer has been cocked, pressure on the trigger will disengage the trigger from the hammer and the revolver will fire. See **Figures 30a and 30b.**

⚠ WARNING !

If you have never fired a revolver with Magnum cartridges, be aware that .357 Magnum cartridges have surprisingly more recoil and a firm grip is necessary. A novice shooter should be aware that the recoil of any handgun causes the muzzle of the gun to flip upward. The shooter need not be apprehensive but must be prepared.

FIRING WARNING

When firing any revolver, be sure that all spectators are a safe distance to the rear of the shooter. When fired, all revolvers have “side blast” or “cylinder blast” which is the discharge of hot gas and particles through the clearance gap between the cylinder and the rear of the barrel. These particles of lead, powder grains or lubricants are projected broadly sideways at high speeds and thus, can injure any person who is too close to the revolver. When firing any revolver, always be certain that nothing—including either of your hands—is in the path of the hot gas and particles which are discharged from the front and sides of the cylinder. When firing, do not rest your revolver against your hand, legs or body where the muzzle or cylinder blast can hit you. Always keep the side of the revolver away from you or bystanders. Keep people behind and away from you while firing.

When shooting, full eye and ear protection is mandatory at all times. Shooters and spectators must wear shooting glasses and hearing protection to prevent eye injury and hearing loss. Vision loss and hearing impairment can occur with only one moment of non-protection.

NEVER quick-draw a loaded revolver and never fan the hammer of this revolver. Quick-draws and fanning are dangerous to you and others. They are also abusive to the firearm and will void the warranty.



Figure 30a



Figure 30b

DECOCKING THE REVOLVER

⚠ WARNING !

Use **EXTREME CARE** when attempting to decock the revolver as the thumb slipping during this process can result in an accidental discharge if the trigger is held to the rear and the hammer falls.

⚠ WARNING !

ALWAYS keep the revolver pointed in a safe direction.

If the revolver is cocked and you wish to decock the revolver without firing it, proceed as follows:

- 1) Make certain that the revolver is pointed in a safe direction. See **Figure 31**.
- 2) Make certain both hands are dry and not impeded in any way—gloves, bandages, cold, etc.
- 3) Grasp the revolver (if right-handed) so that the thumb and forefinger of your left hand are firmly holding the frame, forward of the trigger guard. Thus, your left hand is in full control of the revolver. See **Figure 32**.
- 4) Place your right thumb firmly on the hammer spur. With your thumb securely in control of the hammer, squeeze the trigger only enough to permit the hammer to break free of the trigger. At that instant, slowly permit the hammer (STILL SECURE UNDER YOUR THUMB) to move forward to its resting position against the frame. See **Figure 33**.



Figure 31



Figure 32



Figure 33

Practice this important gun handling skill with an unloaded revolver until you have developed the proper control and touch to safely decock your revolver. The key to safe decocking is having the weight of the revolver controlled with one hand, while the thumb and forefinger of the “shooting hand” control the hammer and trigger.

MANUFACTURER’S WARNING:

This firearm was manufactured to properly perform with the original parts as designed. It is your duty to make sure any parts you buy are correctly installed

and that neither replacements nor originals are altered or changed. Your gun is a complex tool with many parts that must relate correctly to other parts for safe and accurate operation. Putting a gun together wrong or with modified parts can result in a damaged gun, or personal injury or death to you or others. Always let a qualified gunsmith work on your gun or at least, check any work not performed by a gunsmith. Firearm safety is your primary concern. **THE GUN OWNER MUST ACCEPT FULL RESPONSIBILITY FOR THE CORRECT REASSEMBLY AND FUNCTIONING OF THE FIREARM AFTER ANY DISASSEMBLY OR REPLACEMENT OF PARTS.**

TO CLEAN AND MAINTAIN YOUR REVOLVER:

A) Follow procedures for unloading revolver as described previously.

B) Swing out cylinder. See **Figure 34**.



Figure 34

C) Materials needed to clean this revolver are: a cleaning rod, cotton bore patches, brass bore brush, powder solvent, a small soft brush and good quality gun oil.

⚠ WARNING

Lead or lead compounds are known to the State of California to cause cancer, birth defects, reproductive toxicity, and other serious physical injury. Those who clean firearms should take protective measures to avoid contact or exposure to such chemicals.

D) Using the bore brush with powder solvent, scrub the interior of the barrels and chambers to remove any powder and lead residue in the bore. Always and lastly, swab the interior of the barrels with cotton patch with gun oil to coat and protect the bore and chambers from rust and corrosion. See **Figure 35**.



Figure 35

E) Any powder fouling on the firing wall, barrel, etc. can be easily cleaned with a brush and powder solvent.

F) All external surfaces should be wiped down with a light coat of rust preventative. Avoid using too much oil as powder, dust or other foreign material may get trapped in the oil. This could lead to congealed deposits which may interfere with the safe and reliable operation of the revolver.

G) **USE CAUTION** while using solvents in gun bore cleaning. Prolonged or excess contact with solvents can damage the gun's bluing and finish. Be

sure to wipe away all excess solvent and then lubricate with oil.

- H) A gun should be cleaned after firing. In addition, external parts should be wiped with an oiled cloth after handling. A light oil is ordinarily all that is necessary in cleaning if the gun has not been fired or fired very little. If a gun is used frequently, it must be cleaned after each firing and regularly serviced by a professional gunsmith. If the gun has been stored, remove all excess oil and/or grease before firing. Always check to be sure that no cleaning patch or other obstruction remains in the bore or chambers before firing.

DANGER – AMMUNITION WARNING

Firearms may be damaged and serious personal injury or death to the shooter or bystanders may result from any condition which contributes to the generation of excessive pressure or uncontrolled release of gas within the firearm. Such adverse conditions can be caused by bore or chamber obstruction, propellant powder overloads or by defective, incorrect or improperly loaded and assembled cartridge components. Even the strongest firearm can be blown up as a result of excessive pressure. It is extremely dangerous to use a cartridge whose pressure is greater than that developed by cartridges loaded to industry standards.

AMMUNITION (CARTRIDGES) NOTICE

We specifically disclaim responsibility for any damage, personal injury or death occurring in connection with or as the result of the use of European American Armory Corp. revolvers with faulty, nonstandard, remanufactured, Super-Vel, +P, hand-loaded or reloaded ammunition, used cartridges or cartridges other than factory cartridges for which the firearm was originally chambered.

LUBRICATION WARNING

Firing a revolver with oil, grease or any other material even partially obstructing the bore may result in damage to the revolver and personal injury to the shooter and those nearby. Do not spray or apply lubricants directly on ammunition. If the powder charge of a cartridge is affected by the lubricant, it may not fully ignite yet the energy from the primer and/or powder may be sufficient to push the projectile or wad into the bore where it may become lodged. Firing a subsequent cartridge into the obstructed bore will damage the revolver and may cause personal injury to the shooter and those nearby. Use lubricants properly. You are responsible for the proper care and maintenance of your firearm and ammunition.

LIFETIME LIMITED WARRANTY

This European American Armory Corp. firearm is warranted to the original retail customer for life from date of purchase against defects in material and workmanship. All parts and labor or replacement **at our option** are covered.

Transportation to and from our repair facilities, government fees, damage caused by failure to perform normal maintenance, sales outside the United States, damage due to use of high velocity, high pressure, reloaded or other nonstandard

ammunition, or any unauthorized repair, modification, misuse, abuse, or alteration of the product are not covered by this Lifetime Limited Warranty.

Any implied warranties, including the implied warranties of merchantability and fitness for a particular purpose, are limited to one year from date of original retail purchase. Consequential or incidental damages and/or expenses, or any other expenses are not covered by this warranty.

To obtain warranty performance send your firearm with proof of retail purchase, freight prepaid to:

**European American Armory Corp
1426 King Street
Cocoa, FL 32922**

NOTICE: It is illegal to ship a firearm with ammunition in the firearm or in the same packaging. Firearms and ammunition must be shipped separately. For information about shipping ammunition, call European American Armory Corp. at (321) 639-4842.

WARNING—ALTERATIONS OR MODIFICATIONS

Altering or modifying parts and/or internal safeties is dangerous and will void the warranty. This revolver was manufactured to perform properly with the original parts as designed. It is your duty to make sure any parts you buy are made for this firearm and are installed correctly and that neither the replacements nor originals are altered or changed. Your gun is a complex precision tool with many parts that must relate correctly to other parts in order for proper and safe operation. Putting a gun together wrong or with incorrect or modified parts can result in a damaged gun, danger, and personal injury or death to you and others through malfunction. Always have a qualified gunsmith work on your gun or at least check any work not performed by a gunsmith.

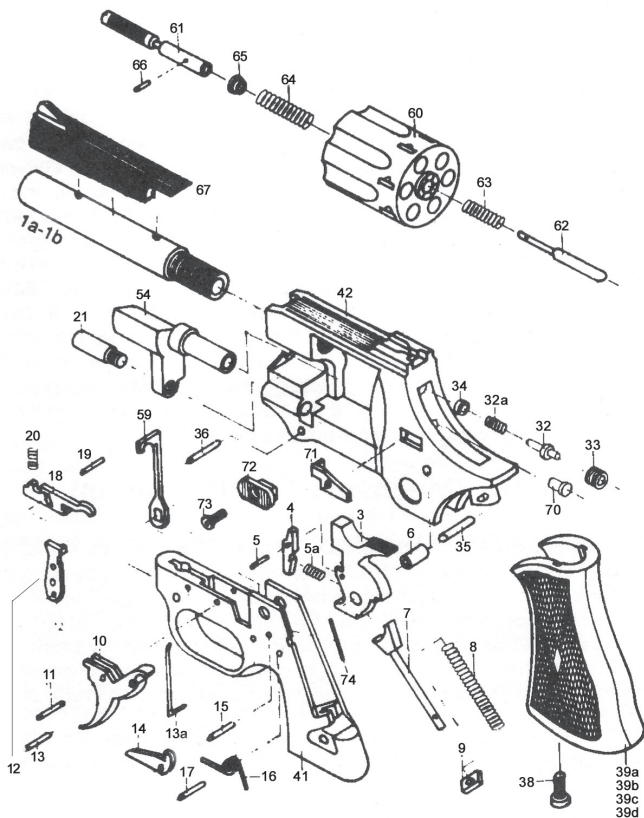
YOUR OWNER'S MANUAL

Always keep this manual with your firearm. Make sure you understand all the warnings, operation instructions and safety procedures. When you lend, give or sell the firearm, be sure this manual goes with it. You can get a copy of this manual from European American Armory Corp. upon request.

ALL PARTS ORDERS ARE SUBJECT TO A \$10.00 CHARGE FOR SHIPPING AND HANDLING. Please state Model, Caliber, Serial Number, and Finish Color when ordering. For parts, information and service contact: European American Armory Corp., 1426 King Street, Cocoa, FL 32922
Phone: (321) 639-4842.

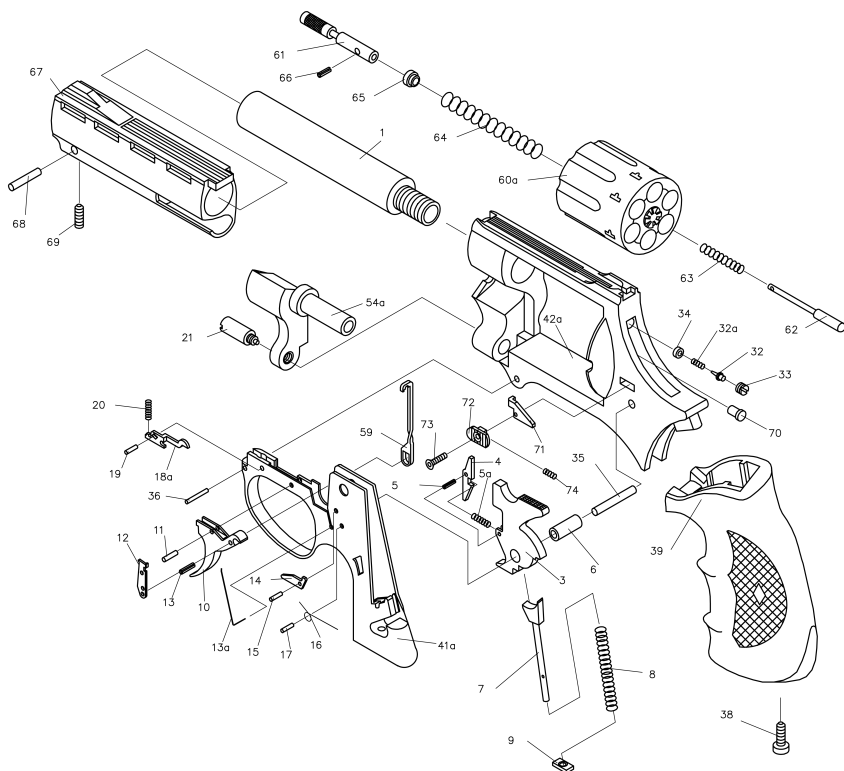
NOTE: All Windicator Models in 38 SPL can not be sold in CA, SC, WI or other states and cities with frame melt point laws.

WINDICATOR EXPLODED VIEW AND PARTS LIST



- | | | |
|--|---|------------------------|
| 1a. Barrel 2" (not available) | 19. Cylinder stop set pin
2mm dia. x 9.5mm | 61. Ejector axle |
| 1b. Barrel 4" (not available) | 20. Cylinder stop spring | 62. Retainer axle |
| 2. Set screw | 21. Hinge screw for yoke (crane) | 63. Engagement spring |
| 3. Hammer | 32. Firing pin | 64. Return spring |
| 4. Sear | 32a. Firing pin spring | 65. Guide ring |
| 5. Sear pin | 33. Firing pin nut | 66. Spring sleeve |
| 5a. Sear spring | 34. Firing pin plate | 67. Barrel shroud |
| 6. Hammer bushing | 35. Set-pin for grip
3mm dia. x 19mm | 70. Plunger 4.0mm dia. |
| 7. Main spring guide | 36. Set-pin for grip
2.5mm dia. x 17.5mm | 71. Angle-piece |
| 8. Main spring | 38. Set screw for grip | 72. Thumbpiece |
| 9. Main spring seat | 39a. Small grip for 2" | 73. Retaining screw |
| 10. Trigger | 39b. Small grip (wood) for 2" | 74. Angle-piece spring |
| 11. Trigger set pin
2mm dia. x 9.5mm | 39c. Standard grip for 4" | |
| 12. Hand | 39d. Standard grip (wood) for 4" | |
| 13. Hand set pin | 41. Grip frame with trigger guard | |
| 14. Hammer safety | 42. Frame (not available) | |
| 15. Hammer safety set pin
2mm dia. x 9.5mm | 54. Crane | |
| 16. Trigger spring | 59. Firing pin safety | |
| 17. Level pin for trigger spring
2mm dia. x 9.5mm | 60. Cylinder w/ extractor
(.38 special) | |
| 18. Cylinder stop | | |

NEW 357 EXPLODED VIEW AND PARTS LIST



- | | | | |
|-----|--|-----|---|
| 1 | Barrel (not available) | 34 | Firing pin plate |
| 3 | Hammer | 35 | Set-pin for grip
3 mm dia. x 19 mm |
| 4 | Sear | 36 | Set-pin for grip
2.5 mm dia. x 17.5 mm |
| 5 | Sear pin | 38 | Set screw for grip |
| 5a | Sear spring | 39 | Grip, round-butt |
| 6 | Hammer bushing | 41a | Grip frame with trigger guard |
| 7 | Main spring guide | 42a | Frame (not available) |
| 8 | Main spring | 54a | Crane |
| 9 | Main spring seat | 59 | Firing pin safety |
| 10 | Trigger | 60a | Cylinder w/extractor
(.357 Magnum) |
| 11 | Trigger set pin
2 mm dia. x 9.5 mm | 61 | Ejector axle |
| 12 | Hand | 62 | Retainer axle |
| 13 | Hand set pin | 63 | Engagement spring |
| 13a | Hand spring | 64 | Return spring |
| 14 | Hammer safety | 65 | Guide ring |
| 15 | Hammer safety set pin
2 mm dia. x 9.5 mm | 66 | Spring sleeve |
| 16 | Trigger spring | 67 | Barrel shroud |
| 17 | Level pin for trigger spring
2 mm dia. x 9.5 mm | 68 | Set-pin |
| 18a | Cylinder stop | 69 | Retaining screw |
| 19 | Cylinder stop set pin
2 mm dia. x 9.5 mm | 70 | Plunger 4.0 mm dia |
| 20 | Cylinder stop spring | 71 | Angle-piece |
| 21 | Hinge screw for yoke (crane) | 72 | Thumbpiece |
| 32 | Firing pin | 73 | Retaining screw |
| 32a | Firing pin spring | 74 | Angle-piece spring |
| 33 | Firing pin nut | | |

EAA TRIGGER LOCK / BLOCK POSITIONS:



BOX WITH LOCK



LOCK BEHIND TRIGGER



LOCK BEHIND TRIGGER



TRIGGER BLOCK BEING INSERTED



TRIGGER BLOCK FULLY INSERTED



TRIGGER BLOCK WITH LOCK



TRIGGER BLOCK BEING INSERTED



TRIGGER BLOCK FULLY INSERTED



TRIGGER BLOCK WITH LOCK



BLOCK BEHIND TRIGGER



BLOCK BEHIND TRIGGER

EAA TRIGGER BLOCK AND LOCK SHOWN: ON BOX, TRIGGER, BEHIND TRIGGER AND ON TRIGGER GUARD. TEST THE LOCK/BLOCK POSITION THAT YOU CHOOSE TO ENSURE THAT THE FIRING FUNCTION OF YOUR GUN HAS BEEN IMPEDED. ALWAYS KEEP GUN UNLOADED, EXCEPT DURING USE. CHECK YOUR SURROUNDINGS BEFORE USING A FIREARM. 09/02/99

European American Armory Corp.
P.O. Box 3008 • Cocoa, FL 32924 • (321) 639-4842
www.eaacorp.com • Email: eaacorp@eaacorp.com

 **WARNING**

Children are attracted to and can operate firearms that can cause severe injuries or death. Prevent child access by always keeping guns locked away and unloaded when not in use. If you keep a loaded firearm where a child obtains and improperly uses it, you may be fined or sent to prison.

 **ADVERTENCIA**

A los niños los atraen las armas de fuego y las pueden hacer funcionar. Estas pueden causarse lesiones graves y la muerte. Evite que los niños tengan acceso a las armas de fuego guardándolas siempre con llave y descargadas cuando no las esté utilizando. Si usted tiene un arma de fuego cargada en un lugar en que un niño tiene acceso a ella y la usa indebidamente, le pueden dar una multa o enviarlo a la cárcel.

Importer:

European American Armory Corp
1426 King Street
Cocoa, FL 32922
Phone: (321) 639-4842

Manufacturer:

Hermann Weihrauch Revolver GmbH
Postfach 25
97634 Mellrichstadt

NOTE: All Windicator Models in 38 SPL can not be sold in CA, SC, WI or other states and cities with frame melt point laws.