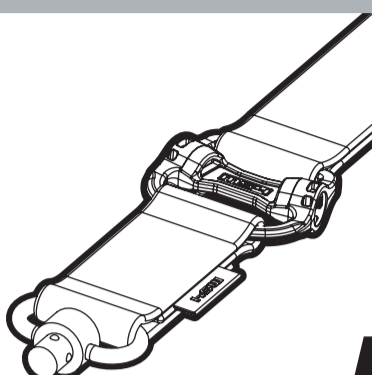




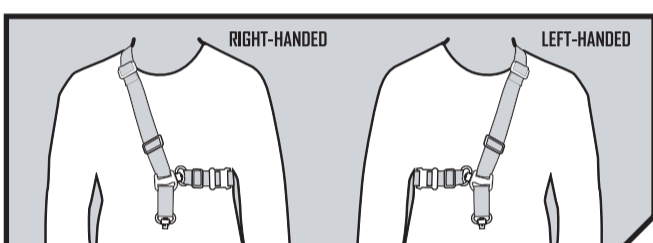
MS4™ Dual QD GEN2 Sling Multi-Mission Sling System



MSD
SYSTEM

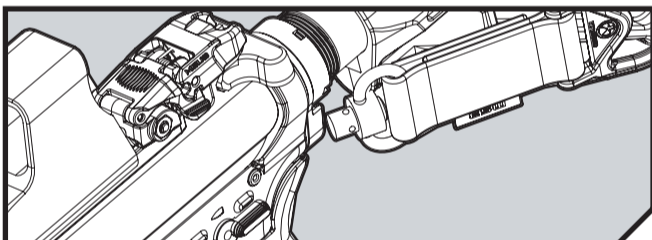
- ⚠ **WARNING:** BEFORE STARTING, MAKE SURE THE WEAPON IS UNLOADED, THE CHAMBER IS EMPTY, AND THE SAFETY ENGAGED.
- ⚠ **CAUTION:** PLEASE READ ALL INSTRUCTIONS BEFORE PROCEEDING. COMPONENTS UNDER SPRING PRESSURE MAY EJECT FORCEFULLY AND COULD CAUSE INJURY.
- ⚠ **WARNING:** OBSERVE SAFE FIREARM HANDLING PRACTICES AT ALL TIMES. FAILURE TO DO SO MAY RESULT IN SERIOUS BODILY INJURY OR DEATH. MAGPUL INDUSTRIES SHALL NOT BE RESPONSIBLE FOR INJURY, DEATH OR PROPERTY DAMAGE RESULTING FROM FAULTY INSTALLATION, MISUSE, ILLEGAL USE, OR MODIFICATION OF THIS PRODUCT.

MS4 DUAL QD GEN2 SLING USAGE INSTRUCTIONS



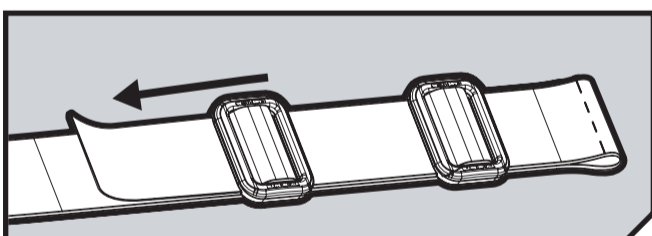
PUTTING ON THE MS4™ DUAL QD GEN2

For right-handed users, place your left arm and head through the sling ensuring the *QD Swivel* is oriented forward and the *MS1 Slider* is located under the left arm. Left-handed users place the right arm and head through the sling, with *MS1 Slider* located under the right arm.



REAR ATTACHMENT

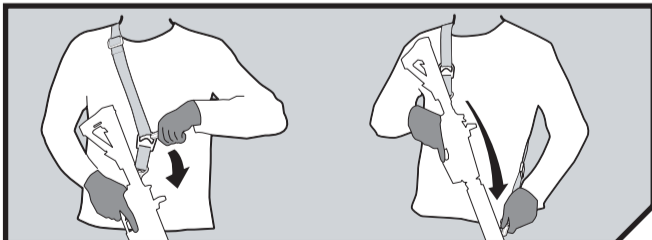
Depress the *QD Swivel Button* and push the *QD Swivel* into the *QD attachment point* on the weapon.



ADJUSTING THE MS4™ DUAL QD GEN2 FOR PROPER FIT

Adjust the length of the sling such that the *Slider* remains accessible by your non-firing hand both when tight (slung) and loose (rifle in use.) After you have determined the proper length for your *MS4 Dual QD GEN2 Sling*, run the tail end back through both of the *Fit Buckles* provided. Double back any excess material and trim only if necessary.

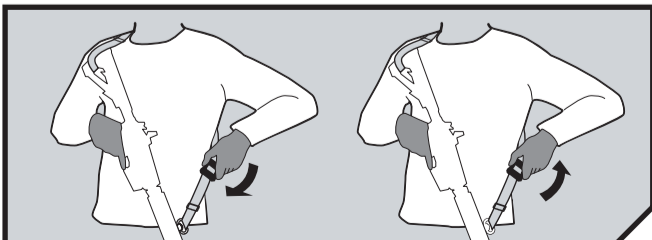
NOTE: If you do need to trim the webbing, re-bind the frayed end by melting it with a flame.



TWO-POINT CONFIGURATION

Take the *QD Swivel*, and depress button to detach. Move the *QD Swivel* out to the fore-end mounting point of choice on your rail system and attach.

To return to one-point configuration, reverse these steps.



TWO-POINT ADJUSTMENT

To adjust the *MS4 Dual QD GEN2 Sling* while in two point configuration, simply grab the *Slider* with your non firing hand and push down to tighten or pull up to loosen the sling.