

**Bedienungsanleitung**

**Instruction Leaflet**

# **KK-Matchgewehre Small Bore Target Rifles**

**Mod. 64 R · 64 RL**



**STOP**

Bitte sorgfältig lesen, bevor Sie dieses Gewehr zusammenbauen oder benutzen.

Please read carefully before you assemble or operate this rifle.

**ANSCHÜTZ**®

**DIE MEISTER MACHER**

## Index

Preface .....	p.16
Safety instructions .....	p.16
General handling of rifles .....	p.17
Ear and eye protection .....	p.19
Laws .....	p.19
Product relating safety instructions .....	p.19
Liability .....	p.19
Technical data .....	p.20
Assembly, fitting the ANSCHÜTZ barreled action .	p.20
Cocking, loading and safety operation .....	p.21
Unloading .....	p.21
Magazine .....	p.21
Trigger .....	p.22
Order-numbers .....	p.25
Cleaning, care, maintenance, lubrication ..	p.26
Accessories .....	p.27
Warranty .....	p.27
Copyright .....	p.27
Drawings / Spare parts .....	p.28
Warranty card .....	p.39



**DIE MEISTER MACHER**

## Preface

*Dear Friends of ANSCHÜTZ,  
You have made a good choice, now that you have decided to buy an ANSCHÜTZ product. The many great results obtained with ANSCHÜTZ rifles by target shooters, participants in the Olympic Games as well as in World and European championships throughout the world made your choice easy, as your rifle has benefited from our great experience of making fine sporting and target rifles since 1856. World-wide, ANSCHÜTZ rifles are respected because of their fine accuracy, impeccable design and immaculate workmanship. Should you still be unaware, they include:*

*The famous ANSCHÜTZ small bore target rifles, air rifles and air pistols; small bore biathlon rifles and repeater summer biathlon air rifles; hunting rifles and shotguns in diverse calibers, small bore single loaders and repeaters, Flobert rifles, silhouette pistols, silhouette rifles and Varmint rifles.*

## Safety instructions

### Attention:

Please read carefully the following articles before using this rifle. It is extremely important that you become thoroughly familiar with this rifle and its operating characteristics by carefully reading and understanding the instructions in this booklet before you attempt any use of it

with ammunition. Always remember the sequence of disassembly. Should you still have problems with the safe usage and correct handling of your rifle or should you have additional questions, please do not hesitate to contact a competent gunsmith or dealer or address our factory directly. This instruction leaflet is extraordinarily important. Make sure that it is always with the rifle especially when it is sold, lent or otherwise given to a third person. Our products are exclusively meant for target shooting. Their use is subject to the „General Technical Rules“ for all target shooting disciplines of the INTERNATIONAL SHOOTING SPORT FEDERATION (ISSF), Bavariaring 21, 80336 München, Germany or to the rules of the INTERNATIONAL BIATHLON UNION, Airportcenter, Postbox 1, A-5073 Wals-Himmelreich, Austria.

Additional copies of this booklet can be ordered.

This ANSCHÜTZ firearm has been carefully test fired and inspected before shipment from the factory. The mechanism of this firearm has been properly designed, tested and fitted with the utmost attention to safety. However, any mechanical device can fail and no such device can prevent accidents caused by carelessness or thoughtless handling. ANSCHÜTZ cannot control the handling of each firearm once they leave the factory. Please take the time to inspect the firearm carefully before use.

**DO NOT USE ANY FIREARM WITHOUT A COMPLETE UNDERSTANDING OF IT'S SAFE USE AND PROPER HANDLING CHARACTERISTICS.**

## **STOP** Warning:

This rifle can be dangerous if it is not used correctly or if this instruction leaflet is not observed. The privilege of ownership and safe use of your rifle carries a personal responsibility that no one should take lightly. Rifle accidents would not occur if the following rules of shooting safety were observed.

### **The Ten Commandments of Firearms Safety**

- Learn the mechanical and handling characteristics of the firearm you are using.
- Always keep the muzzle pointed in a safe direction.
- Firearms should be unloaded when not in use.
- Be sure the barrel is clear of obstructions before using.
- Be sure of your target before you shoot.
- Wear shooting glasses and ear protection when you shoot.
- Never climb a tree or fence with a loaded firearm.
- Don't shoot at a hard surface or at water.
- Never transport a loaded firearm.
- Avoid alcoholic beverages or drugs when shooting or handling a gun.

### **Please note:**

There is no substitute for personal responsibility and common sense in the handling, use and storage of firearms. Securely store your unloaded guns away from access by children or unauthorized adults.

### **General handling of rifles**

1. Treat every rifle as though it was loaded. Do not take anyone's word or automatically assume it is not loaded. Check your rifle personally each time you handle it. The safe and courteous way to carry a rifle when you are with others is to leave the bolt open so that they can easily see that the rifle cannot be fired. Make sure that the rifle is not loaded when you stop shooting. Make sure your rifle is unloaded before every transport. Never pick up your rifle with your finger on the trigger or the trigger guard.
2. Whenever you pick up your rifle, point the muzzle at the ground. Always point the muzzle of the barrel in a safe direction. Never pull a rifle towards you by the muzzle.
3. Only use your rifle in approved shooting ranges. Shoot your rifle only under good visibility and daylight conditions. If you use your rifle in an indoors range, make sure it is adequately ventilated. Make sure that there is a safe bullet trap which can be seen from all sides and that there is no one in the vicinity of your target. Be absolutely sure of a safe backstop and target. Never fire at a hard, smooth surface or water.

Never shoot at a skyline target or into the air. Do not shoot at anything from which a bullet may ricochet. Never fire your rifle with the muzzle in the water or against any other material to avoid an accident or damage of your rifle.

4. Be sure that you use the correct ammunition. The correct calibre can be seen on your rifle. Load your rifle only when you are at the range and ready to shoot. Use only genuine ANSCHÜTZ magazines. Do not exceed the stated magazine capacity. Alterations to the rifle or the use of non-ANSCHÜTZ magazines and accessories may cause malfunctions.

5. Always keep your rifle clean. Be sure the bore is not obstructed by dirt, water, grease or any other foreign materials. Never try to shoot out any obstruction.

6. Serious injury and damage can result from the use of the wrong ammunition, bore obstructions, or incorrect cartridge components.

7. Place the safety fully into „S“ or „F“ position - never inbetween. Always keep safety in full „safe“ position until ready to fire. Do not put your finger on the trigger when operating the safety or whenever you are not ready to shoot.

8. When not in use your rifle should be stored in a locked and secure place accessible only to you. Check first to make sure it is unloaded. Store the rifle with uncocked trigger. Store ammunition in a separate and secure place. It is your special responsibility to make sure that at all times

and especially when you are not present your rifle is well secured, out of any reach of children, careless adults and other unauthorised persons and in no way accessible to them. Never place any firearm in such a manner that it may be dislodged. For the safe storage of your rifle even in a locked cabinet or safe the use of an additional trigger lock is recommended. Only give your rifle to authorised persons. Never let your rifle be used by anyone who is not familiar with the safe handling of a rifle and these instructions. This rifle must only be used by a responsible adult or under his or her supervision.

9. Watch for any change in the operation of your rifle which might impair its safety. If you suspect or note a defect or malfunction, stop using it immediately, unload the rifle, make sure that it is not under pressure and send it to a competent gunsmith, the factory or its recommended repair station for inspection. Note: Apart from normal cleaning the rifle must only be disassembled by an authorized gunsmith. Unqualified handling or disassembly can cause injuries or irreparable damage of the rifle.

10. Your rifle should always be handled with extreme care. Make sure that it is never dropped or placed in such a way that it can fall. For transport purposes your rifle should be dry and clean. We recommend an approved protective and lockable gun case.

11. You must be in good physical condition and mental health and not under the influence of any substance (drugs, alcohol) which might impair vision, dexterity or judgement. Do not use your rifle when you

are tired. Tiredness may result in a loss of control.

12. Clean your hands carefully after shooting and cleaning your ANSCHÜTZ product. Residues of bullets, powder or oil might impair the health of your skin.

13. Your ANSCHÜTZ rifle has been carefully built and inspected by skilled technicians to provide maximum efficiency. The service life depends on the owner's care and on cleaning following this instruction leaflet.

## Ear and eye protection

You and other persons should always use approved hearing protection and approved shatterproof eye protection while shooting.

## Laws

When using a firearm observe the corresponding regulations and laws for the use of firearms in your country.

## Product relating safety instructions

### Important note for the handling of rifles:

1. Unload your rifle immediately if you do not intend to continue shooting. Remove the

bolt or leave it open at least. In the case of a repeater remove the magazine as well. Make sure there is no cartridge left in the chamber.

2. Make sure there is nobody in the area of case ejection.

3. If you store the rifle remove the bolt and store the bolt uncocked in a separate place.

### Important note for the handling of ammunition:

1. Exclusively use clean, factory loaded and new ammunition in the caliber approved for your rifle.

2. Be aware that the range of a bullet starting from cal. .22 l.r. might be 1.6 km or even longer. Therefore also be sure of the safety of the impact area.

## Liability

1. ANSCHÜTZ does not assume any responsibility or payment of damage claims for damages of any kind resulting from the disregard of these instructions, non-qualified treatment or repair, the use of non-original ANSCHÜTZ spare parts, incorrect handling, negligence, removal of the knot varnish or unauthorized modifications.

2. The stock of this rifle has been very carefully checked by factory inspectors prior to shipment and has been determined to be free of defects. Certain kinds of abuse, such as dropping of the rifle can cause damage to the stock for which the owner

is solely responsible. We also assume no responsibility for defects resulting from inappropriate transportation (mail, forwarding agency, plane, etc.). Please **immediately** contact your transporter in such a case.

3. Changes or alterations to this rifle or any of its parts are prohibited. Such changes or alterations can significantly impair the safe use of our product and can lead to accidents involving severe or even fatal bodily injuries. Any product warranty will automatically lapse in case changes or alterations are implemented. Users are requested to carefully inspect the product with regard to possible changes and alterations before use. In case of doubt you should contact us for further information.

## Small bore target rifles Mod. 64 R

### Technical Data:

#### 64 R

Caliber:	.22 l.r.
Barrel length:	54 cm/21.2"
Rifling:	54 cm/21.2"
Total length:	100 cm/39.3"
Total lengthSystem:	69 cm/27.2"
Weight approx.:	3,6 kg/7.9 lbs
Version:	Repeater

## Assembly, fitting the ANSCHÜTZ barreled action

The stock, the barreled action and the bolt are packed separately for shipment and need to be assembled. However, do not do this until you have followed all the procedures listed below.

- Wipe away excess oil from the barreled action and the bolt.
- Cock the bolt by turning the guide bolt and the bolt handle opposite to each other.
- Insert the bolt by actuated trigger.
- Remove the magazine from the magazine well.
- Insert the barreled action into the barrel channel in the stock and press both parts together.
- Screw in bedding screws with suitable allen wrench. First slightly tighten all screws. Then tighten the front screws and subsequently the rear screws (in the direction of the muzzle). For correct adjustments we recommend a torque wrench, which is to be adjusted to 5 Nm (= 50 cmkp) for wood stocks.
- Pull a cleaning patch through the barrel from the chamber towards the muzzle several times.
- Push the magazine in the magazine well until you hear that the magazine holder caught the magazine.

After assembly for the first time settlements of the stock wood may occur. Consequently we suggest that you tighten the screws once more in the manner described after some time. Check the the screws before every shooting.

## Cocking, loading and safety operation

- Degrease the bolt and the interior of the barrel without leaving lint.
- Open the reinserted bolt and pull it back to the stop.
- Now push the bolt forward to close the breech. A cartridge from the magazine is fed into the chamber of the barrel. Now push the bolt handle completely downwards. The bolt is now cocked, the rifle is ready for shooting.
- After firing, lift the bolt handle and pull the bolt fully to the rear. This will cock the bolt again and eject the empty case.

The safety is located on the side of the receiver. It can be operated in cocked position.

### The rifle is

- safe, when the „S“ (safe) is visible but the „F“ (fire) is covered
- ready for shooting when the „F“ (fire) is visible but the „S“ (safe) is covered.

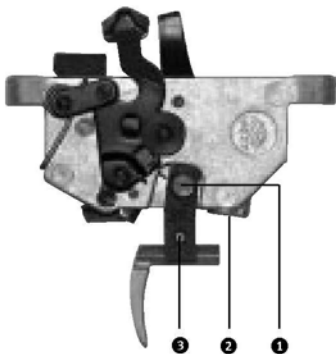
## Unloading

For safety reasons the rifle must immediately be unloaded if you intend to stop shooting. Unlock and open the bolt. This will eject the cartridge. Please also see safety instructions for the handling of rifles and pistols.

## Magazine

- Remove the magazine from the magazine well.
- Push the cartridges with the head first into the magazine.
- Push the magazine into the magazine well until you hear that the magazine holder has caught the magazine.
- Now open the bolt completely, push it forward and lock it. Thus the first cartridge of the magazine is fed into the barrel, the firing pin is cocked. The rifle is now ready for shooting.





## Trigger

### **STOP** Warning:

Your ANSCHÜTZ target rifle offers you a versatility of individual adjusting properties. Please make sure that your rifle always is unloaded when carrying out adjustments.

### 1. Trigger weight

Adjust the trigger weight with set screw No. 2:

- if you turn it to the right:  
trigger weight is increased (+)
- if you turn it to the left:  
trigger weight is decreased (-)

Trigger weight and first stage weight depend on each other with regard to the mechanic mechanism. If one of them is changed there will always be a corresponding change of the other as well.

### 2. Sear engagement

The sear engagement is the distance between the second stage and the release of the trigger.

#### Important note:

To protect your precise trigger and to guarantee perfect operation you should always close the action carefully. If the sear engagement of single stage triggers is too small and the trigger weight is too low or if the first stage of two-stage triggers is too short, the trigger might release inadvertently by a sudden impact or too powerful closing of the action if the gun is loaded and not in the "safe" position.

Adjustment of the sear engagement for assembled **two-stage triggers** with set screw No. 1:

- if you turn it to the left:  
sear engagement is shortened
- if you turn it to the right:  
sear engagement is extended

Adjustment of an optimum sear engagement:

Make sure your rifle is not loaded. Cock your rifle and release the trigger. Check if the trigger releases as desired.

The sear engagement is too long:  
There is a small distance between the second stage and the release of the trigger.

- Turn set screw No. 1 counter-clockwise after cocking and releasing (approximately  $1/8$  turn each).

- Repeat this process until you do not feel the second stage anymore. Then turn  $1/4$  turn back to the right. Thus the optimum sear engagement is adjusted.

The sear engagement is too short:

There is no second stage. The trigger releases undefined without second stage.

- Turn set screw No. 1 clockwise for at least  $1/4$  turn after cocking. Then release the trigger and check if there is a second stage. If not, repeat this procedure until you feel a second stage.
- As soon as you feel a second stage proceed according to the points of the paragraph „The sear engagement is too long“ to obtain an optimum sear engagement.

Adjustment of the optimum sear engagement for assembled **single stage triggers** with set screw No. 1:

- Cock the rifle.
- Turn set screw No. 1 (first stage) as long to the right until the trigger releases.
- Turn set screw No. 1 from this position approx.  $1/4$  turn to the left.

#### **Warning:**

Single stage triggers are very sensitive and must be operated with special care.

The sear engagement of  $5/100$  mm is obtained after the action is closed. In combination with a minimum trigger weight there might be a malfunction and an **increased risk (independent shot release)**.

### **3. Malfunctions of the trigger due to wrong adjustment procedure**

If the trigger is not adjusted correctly malfunctions may occur, tampering with the trigger adjustments will not result in any success. Therefore proceed as follows:

After every change the function of the trigger must be checked. When the malfunction is removed check the desired trigger values and adjust them again if necessary.

The trigger catches the cocking piston or firing pin, but the trigger does not release:

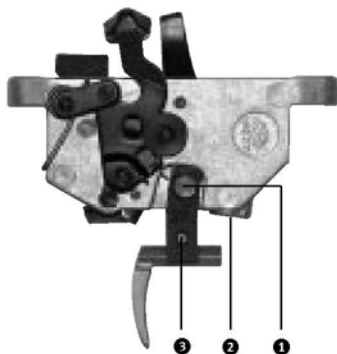
- Make sure that the safety of the trigger is released.

The trigger does not catch the cocking piston or firing pin:

- The first stage trigger is adjusted too tightly.
- Turn set screw No. 1 approx. 1-2 turns to the left. Proceed according to par. 2.

### **4. Maintenance**

Please see chapter „Cleaning, maintenance, care, oils“.



### Adjustment of the trigger blade:

After loosening clamping screw No. 3 the trigger blade can be moved in longitudinal direction.

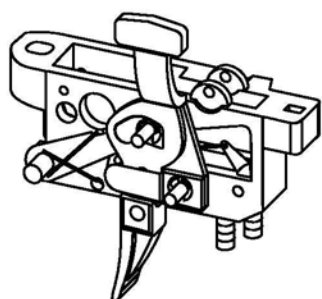
### Important note:

To protect your highly accurate trigger and to maintain perfect functioning always close the bolt carefully.

#### Attention:

If you change the trigger remove the bolt from the receiver when fitting the trigger as otherwise the trigger will be damaged.

Order No.	Model	Two-stage trigger	Single-stage trigger	Adjusted to	Right hand version	Left hand version	For models	For small bore models production years	For small bore models serial-no. starting from
700.6540	1407-U9	●		150 g	●		1407, 1407 Z, 1409, 1411 1413, 1408 EDS	1959 - 1974	
700.6541	1408-U1	●		500 g	●				
700.6542	1408 D-U1		●	500 g	●				
700.6550	5071/1	●		100 g	●		1607, 1613, 1608 EDS	1974-1979	143655 to 182155
700.6560	5071/1 D		●	100 g	●				
700.6570	5075/1	●		550 g	●				
700.6580	5075/1 D		●	550 g	●				
700.6600	5018	●		100 g	●		1807, 1907, 1807 Z, 1907 Z 1907 Silh., 1807 Rep. 1907 Rep., 1907 Rep., 1912 1813, 1913, 1808 EDS 1808 D-RT, 1827, 1827F, 2007 2007/660, 2012, 2013 2013/690, 2013 Benchrest 54.18 MSR, 1808 MSR 2002 Compressed Air, 2020, 2025	starting from 1979	starting from 182156
700.6610	5018 L	●		100 g		●			
700.6620	5018 D		●	150 g	●				
700.6630	5018 L D		●	150 g		●			
700.6640	5020	●		550 g	●				
700.6650	5020 L	●		550 g		●			
700.6660	5020 D		●	550 g	●				
700.6670	5020 L D		●	550 g		●			
700.6740	5022	●		1500 g	●				
700.6800	5098	●		280 g	●		1903, 1416 MSP, 1403 Rep. 64 MSR, 64 MPR, 64 R		
700.6810	5098 L	●		280 g		●			
700.6860	5100 D		●	500 g	●				
700.6870	5100 L D		●	500 g		●			
700.6875	5103	●		1500 g	●				
700.6876	5104	●		550 g	●				
700.6877	5104 L	●		550 g		●			
700.6700	5019	●		100 g	●		2001 Superair		
700.6710	5021 D		●	550 g	●		2001 D-RT Superair		
700.6720	5021	●		100 g	●		2002 Superair		
800.0000	5024	●		1500 g	●				
700.6730	5023 D		●	550 g	●		2002 D-RT Superair		
700.6660	5020 D		●	550 g	●		2002 D-RT Compr. Air, 1827, 1827F		
700.6881	5197		●	550 g	●		2027 Summer biathlon		



When you order trigger parts please indicate the order number, type of rifle model together with the trigger model number. For left hand versions please add "L"

<b>L</b>	= Left hand version
<b>D</b>	= Single-stage trigger
<b>D-RT</b>	= Running target
<b>Rep.</b>	= Repeater
<b>Silh.</b>	= Silhouette
<b>F</b>	= Fortner
<b>Z</b>	= "Zimmerstutzen"
<b>MS</b>	= Silhouette

## Cleaning, maintenance, care, lubrication

Even after considerable use, your ANSCHÜTZ small bore match rifle will not require much attention - a tribute to its solid design, first class materials, well proven ANSCHÜTZ workmanship and precision. If you follow the recommendations below, you will help maintain the excellent performance of your rifle for a long time.

### Regular care after every shooting:

- Please only use resin and acid free oils.
- Remove any residues from the barrel.  
Clean with a lint-free cloth or pull cleaning cords several times through the barrel from chamber to muzzle to remove deposits. Subsequently pull a slightly oiled, lint-free cloth or cleaning cords through the barrel to avoid corrosion.
- Clean the bolt with a slightly oiled cloth.
- Make sure that the metal parts of your rifle are protected against corrosion by a slight oil film.
- Remove the oil film with a dry cloth or cleaning cords before you shoot again.

### Careful cleaning:

New rifles up to 10,000 shots in 1,000 shot intervals, subsequently in 5,000 shot intervals at least.

- Use oil to clean the barrel and push a brass brush from the chamber to the muzzle. Never move the brush back and forth in the barrel. Only clean in shooting direction. Remove the brush outside of the muzzle and carefully pull the rod back through the barrel.

- Then pull cleaning cords in dry condition through the barrel until the last one shows no considerable dirt.
- Before shooting the next time fire 5 shots to get back to the former shooting performance.
- Clean external parts with a slightly oiled cloth.

### Maintenance of the trigger:

- Lubricate the bearings slightly with cold resistant molybdenum disulphide grease once a year.
- Spot a small amount of oil into the bearing parts using a needle.
- The internal parts should not be washed with spray or oil to avoid resin or other residues in the trigger.

### Attention:

When cleaning the rifle no dirt, residues of solvents, grease or non-suitable oils must get into the trigger mechanism. We therefore recommend either to use our cleaning rod guide or to clean your gun in a way that it is horizontal or even with the stock up to avoid any contamination of the trigger mechanism.

Protect your rifle against dust, sand, humidity, heat and other harmful influences. Vacuum clean your gun case or soft gun case once a month to remove dust and lint. Gun cases and soft gun cases should have a smooth and dust rejecting inner lining. Be aware that condensed water might occur as a result of temperature variations. In such a case it has to be removed at once. Leave your gun case or soft gun case open when you store them at home so that

possible humidity can escape. Adding a humidity absorber reduces the development of humidity. Be aware of other possible changes or damage. In such a case take your rifle to an authorized gunsmith for checking or send it to our factory.

To reduce the risk of damage in transit, we recommend the disassembly of the barreled action from the stock.

## Accessories

Please ask for our catalogue.

## Warranty

A warranty of 2 years will be issued. Parts which are subjected to wear are not part of this warranty. In the case of warranty we substitute the defective parts free of charge. Cases of warranty will only be accepted if the article in question and **the corresponding purchase receipt plus filled-in warranty card are presented.** Warranty will not be accepted if changes or repair works have been carried out by persons who are not authorised, if the rifle is not used correctly or if non-ANSCHÜTZ original parts were used.

We wish you much pleasure and success with your ANSCHÜTZ product and would be pleased if you could let us have your ideas on our products and the design of this instruction leaflet.

## Copyright

Product specifications, design and model changes are subject to change without prior notice. Dimensions and colors are subject to change. With reservation of misprints and errors. Goods are subject to priorsale. Delivery subject to the presentation of the referring license for the purchase of firearms.

ANSCHÜTZ, the ANSCHÜTZ logo and the ANSCHÜTZ logo in connection with the slogan „Die Meister Macher“ (also in modified spelling) are protected brands of J.G. ANSCHÜTZ GmbH & Co. KG, Ulm, Germany. The unauthorized use of this brand name is not allowed and punishable.

All rights of this instruction leaflet reserved. The use of the instruction leaflet, also in excerpts, is not allowed without the permission of J.G. ANSCHÜTZ GmbH & Co. KG and otherwise is punishable. This is especially applicable for unauthorized copying, translations and read-ins in electronic systems.

# <<<<GARANTIE>>>>

Dieser Artikel wurde zum Verkauf freigegeben, nachdem er selbst, seine Materialien und Einzelteile strenge Kontrollen durchlaufen haben, oder das Gewehr beim Beschuss seine Haltbarkeit und Funktion unter Beweis gestellt hat. Wir übernehmen für zwei Jahre volle Garantie auf Material- oder Bearbeitungsfehler (ausgenommen Schaft- und Federbrüche), sofern ein Mangel nachweisbar bereits im Zeitpunkt der Übergabe des Artikels vorlag. Für Mängel, die auf unsachgemäße Behandlung oder auf Reparaturen zurückzuführen sind, stehen wir nicht ein. Die Garantieleistung steht in unserer Wahl in Nachbesserung oder Neulieferung. Schadensersatzansprüche – aus welchem Rechtsgrund auch immer geltend gemacht – sind ausgeschlossen. Wir bitten, diese Karte – von Ihrem Waffenfachgeschäft ausgefüllt und unterschrieben – mit dem Artikel an uns einzusenden.

J.G. ANSCHÜTZ GmbH & Co. KG · Jagd- und Sportwaffenfabrik  
Postfach 1128 · D-89001 Ulm/Germany · [www.anschuetz-sport.com](http://www.anschuetz-sport.com)

**ANSCHÜTZ**  
DIE MEISTER MACHER

FABRIKATIONS-NR.:

Serial-No. / Numéro de série:

DATUM DES VERKAUFS:

Date / Date d'achat:

GEKAUFT BEI:

This item was bought from / Détaillant:



Stempel und Unterschrift des Fachhändlers  
stamp of dealer / timbre du détaillant

## <<<<GARANTIE>>>>

Cet article n'a été mis en vente qu'après une vérification minutieuse des pièces et matières à tous les stades de la fabrication ou après avoir subi un contrôle de fiabilité et de bon fonctionnement au banc d'épreuve. Nous la garantissons pendant deux ans contre tout défaut de matière ou vice de fabrication (sauf contre les bris de crosse ou de ressorts) dans la mesure où il peut être prouvé qu'un défaut existait déjà au moment de l'achat de l'article. Nous ne répondons pas des défauts résultant d'une utilisation incorrecte ou de réparations. Nous nous réservons d'exécuter la garantie soit par remise en état soit par échange. Les demandes en dommages-intérêts sont irrecevables quelle que soit la cause mise en avant. Veuillez faire remplir et signer cette carte par votre armurier et nous l'adresser avec l'article.

J.G. ANSCHÜTZ GmbH & Co. KG · Jagd- und Sportwaffenfabrik  
Postfach 1128 · D-89001 Ulm/Germany · [www.anschuetz-sport.com](http://www.anschuetz-sport.com)

## <<<<WARRANTY>>>>

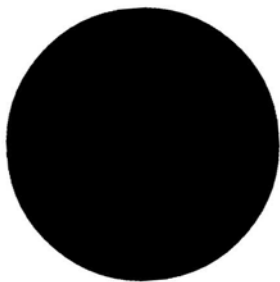
After thorough testing of materials and finished parts this item has passed a rigid final inspection as well as proof testing or test shooting. If, despite these precautions, there is any failure due to defective materials or workmanship (except broken stocks and springs) within two years the necessary repairs will be carried out without charge, in so far as the item was evidently defective at the time of purchase. No claims under warranty can be accepted if the item has been subjected to improper use or unauthorized repair. The item will be either repaired or replaced at our discretion. Claims for compensation – put forward for any legal cause whatsoever – are excluded. This warranty card – completed and stamped by your dealer – must be returned with the item for repairs.

J.G. ANSCHÜTZ GmbH & Co. KG · Jagd- und Sportwaffenfabrik  
Postfach 1128 · D-89001 Ulm/Germany · [www.anschuetz-sport.com](http://www.anschuetz-sport.com)

**ANSCHÜTZ**  
DIE MEISTER MACHER





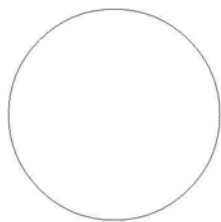


Fabr.-Nr.:

Serial No.: .....

Bitte hier eintragen · Please fill in here

**Originalschussbild Ihres Gewehres 10 Schuss auf 50 m**  
**Original group of your rifle 10 shots at 50 m**



**DIE MEISTER MACHER**

**J.G. ANSCHÜTZ GmbH & Co. KG**

**Jagd- und Sportwaffenfabrik**

Daimlerstrasse 12

D-89079 Ulm / GERMANY

Postfach 11 28

D-89001 Ulm / GERMANY

Telefon (++49){0}-731-4012-0

Telefax (++49){0}-731-4012-700

anschuetz-sport.com

JGA-Info@anschuetz-sport.com