

The STRIBOG



INSTRUCTIONS FOR USE, MAINTENANCE AND SAFETY



Dear Customer,

Thank you for purchasing a select fire GRAND POWER STRIBOG. We appreciate your trust in our products. The gun is made with great care and Slovak „know-how“ in Slovakia, using cutting-edge technology it is machined from high quality materials on high-precision CNC machines.

Before using your firearm please familiarise yourself with all of these instructions paying particular attention to the safety information.

Improper and careless handling of a firearm can cause an unintended discharge, which could result in serious injury or death, as well as damage to property. The same consequences can be caused by arbitrary adjustments, corrosion, excessive carbon buildup or the use of non-standard ammunition. In such cases the manufacturer cannot be held accountable for any possible losses or consequences.

Before the gun was put into sales chain it was carefully tested, inspected and packaged. GRAND POWER Ltd. cannot be responsible for, nor control, the handling of a weapon after it leaves the factory, so please check that the gun is not loaded and that there is no visible damage.

This manual with instructions should always be attached to the firearm's packaging, even if you sell it or lend it to someone else.



SAFETY INSTRUCTIONS

Always follow the safety instructions for your own safety and for the safety of others.

1. Always treat a gun as if it is loaded.
2. Never point your gun at anything you do not intend to shoot.
3. Do not trust anyone declaring that the gun is not loaded, check for yourself as you will ultimately be responsible if an accident occurs.
4. Before putting the gun away, setting it down or handing it over to another person, always make sure that it is not loaded and if handing it to another person you should show them that it is not loaded.
5. Store the gun unloaded with the hammer in the forward position.
6. Never use the gun for any purpose other than shooting.
7. Do not leave the gun unattended; be especially careful when the gun is loaded and ready to fire.
8. Prior to loading the firearm make sure that the barrel rifling, chamber, and slide are clean and clear of obstructions. Clean all the residue from previous shooting as soon as possible.
9. Always use clean, dry and originally manufactured ammunition of high quality, in good condition, matching the caliber of your weapon.
10. Never drink alcoholic beverages, or use drugs before or during shooting. Check all the medication you take for possible influences on your cognitive abilities and control of movement, possibility of cramps etc.
11. Wear ear protection and proper safety glasses when shooting.
12. When the weapon is loaded and cocked, keep the safety in SAFE position until you are ready to fire. Always aim in a safe direction and consider what is behind the area of your target.
13. Do not block the ejection port and make sure that no person or another obstacle are in the way of ejected case.



14. Never pull the trigger or put your fingers into the trigger guard area unless you are aimed at your target and ready to shoot.
15. Before pulling the trigger, check your target one more time and also the area behind it. Projectile is able to fly through or away from your target and can travel hundreds of meters.
16. Do not shoot against a flat hard surface, on the surface of water or in any other direction that poses a risk of ricochet.
17. Do not fire the weapon in the vicinity of an animal, unless it is trained to accept the noise.
18. While handling the gun, never engage in a horseplay.
19. Failure to fire: In case of a failure to fire hold the gun aimed at your target or in a safe direction and wait for at least thirty seconds. In case of a delayed ignition, the round will normally go off within 30 seconds. If the round fails to go off, remove the magazine, extract it from the chamber and check the primer. If the strike mark on the primer is weak, not in the centre or there is no strike, get a qualified gunsmith to verify that your gun works properly. If pulling on the cocking handle fails to eject a round, please refer to your gunsmith, bear in mind that the gun is always loaded!
20. Before cleaning, storage or transport, always make sure your gun is not loaded.
21. Store your gun separately from ammunition, keep both in a safe locked space, out of reach of children and unauthorised persons.
22. Never alter any part of the gun. You could seriously impair the gun's proper operation or safety by doing it.
23. Remember that corrosion, use of damaged ammunition, dropping the gun on a hard surface or other rough treatment can cause damage that may not be visible at first sight. In case of any such event have your firearm inspected by a specialist.



INSTRUCTIONS FOR USE

Ammunition

Use only originally manufactured ammunition of high quality, in good condition, matching the caliber of your weapon, in accordance with CIP or SAAMI regulations. Using non-standard ammunition can cause damage to the gun an/or injury to the shooter, also it voids the warranty.

Removing the magazine

Hold the gun's grip in your right and the upper part of the magazine in your left hand, so the thumb of the left hand can reach the magazine release. The magazine will release from the gun when you press the release catch.

Loading the magazine

Grasp the magazine with its lips facing up. Place the cartridge on the front of the magazine follower and push it down. Place another cartridge onto the previous one and slide it in the same way.

Do not try to exceed the magazine capacity as this can cause a malfunction.

Loading the gun

WHEN LOADING THE GUN, ALWAYS POINT THE MUZZLE IN A SAFE DIRECTION!

Insert a loaded magazine into the gun and make sure that it is properly retained by the magazine catch. Hold the gun with one hand and grab the cocking lever with the other hand. Cock the lever fully backwards and then release it. By doing this, the cartridge is chambered and the gun is now ready to fire. Before shooting please double-check that your hand and other parts of your body or any other objects are not in the way of the motion of cocking lever. Pulling the trigger causes a shot. The safety is engaged by rotating the manual safety to SAFE position.



Reloading during shooting

After shooting the last round, eject the empty magazine and insert a full one. Cock the lever fully backwards with your hand and release it or push the slide catch with your thumb, causing release. The gun is now reloaded and ready to fire again.

Unloading and Safety procedure

POINT TO THE SAFE AREA

- remove the magazine
- cock the lever backwards and check there is no cartridge in the chamber or magwell
- release the slide
- pull the trigger (dry fire) while keeping the muzzle pointed in a safe direction

Safety of the gun

STRIBOG carbine is equipped with a SA (single action) trigger mechanism. Lower receiver, just above the handle, is equipped with a safety lever to select SAFE (marked by a cross), SEMI-AUTOMATIC FIRE (marked by a dot) and FULLY AUTOMATIC FIRE (marked by three dots). Actual position is marked by the tip of a triangle mark on the lower receiver. Remember that the safest way to secure any weapon is by unloading the gun, performing safety procedure and storing in a safe place.

Sight adjustment / Zeroing

Before the shipping the STRIBOG carbine is test fired at a distance of 25 m so that the middle point of impact approximately matched the point of aim. Flip sights supplied with the gun are only intended as a backup for temporary use in case optical or electronic sights should fail.



Warning:

Do not disassemble any other part of the weapon. If you believe that your firearm requires adjustment or a repair, take it to a gunsmith for service.

Assembly:

Takes place in reverse order of disassembly. Pressing on the red buffer by the thumb of the hand holding the upper receiver may help when placing the stock mount back to the upper receiver.

Cleaning of the gun:

Clean your gun

- after each use
- if you get your gun wet
- as soon as possible after shooting
- at least once a year in temperate climate
- at least once a month in extreme climate

Barrel bore and cartridge chamber cleaning:

You should clean the barrel before you fire your new gun for the first time.

After firing your gun clean the barrel bore and cartridge chamber with the clean patch attached to the cleaning rod. Replace the patch for as long as necessary until the last patch is clean. If the barrel's bore is very dirty or there is carbon built up, apply a gun cleaning solution to it and to the chamber, let it act for at least 10 minutes (exposure time may vary depending on the cleaning agent being used, please refer to user manual of the cleaning solvent), then clean using the proper brush.



Dry the bore and cartridge chamber with a clean patch and make sure that all residues have been removed. Repeat the procedure if necessary.

The cleaning rod and the brush needs to be inserted into the barrel through the chamber, in order to avoid muzzle damage. Move the brush all the way through the barrel. If you try to change direction of movement while the brush is still in the barrel, the brush could jam in the barrel. Only use dedicated barrel bore cleaning brushes in the correct calibrate.

Cleaning other parts of the weapon:

Clean other parts of the gun (including the external surfaces of the receiver) with a dry cloth and suitable brush or wooden scraper. You can use preservation oil or kerosene during cleaning.

However, avoid using the solution designed for cleaning bore. These are highly corrosive and could remain in the joints between components and subsequently cause serious corrosion damage.

Make sure that the remains of cloth or brush bristles are not left in any part of the gun.

Preservation

Wipe the bore, cartridge chamber, and all the accessible parts after cleaning with a lightly oiled cloth or use oil spray.

Wipe off excess oil.

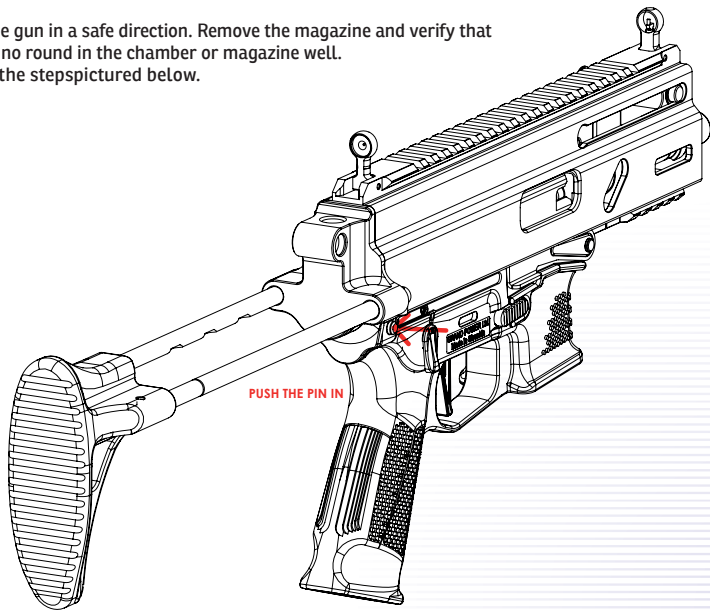
Before shooting wipe the barrel's bore dry. If you are using the gun at very low temperatures make sure to remove the oil from all accessible parts or use special lubricant designed for these conditions as the change in viscosity of standard lubricants may cause malfunctions at very low temperatures.

Only use preservative grease for long-term storage in demanding climatic conditions and remove it all carefully before using the gun again.

instructions for use, maintenance and safety

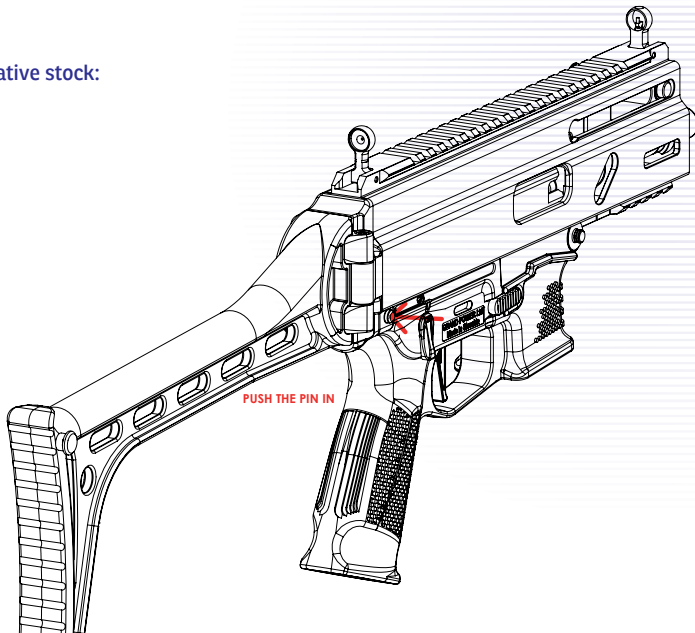


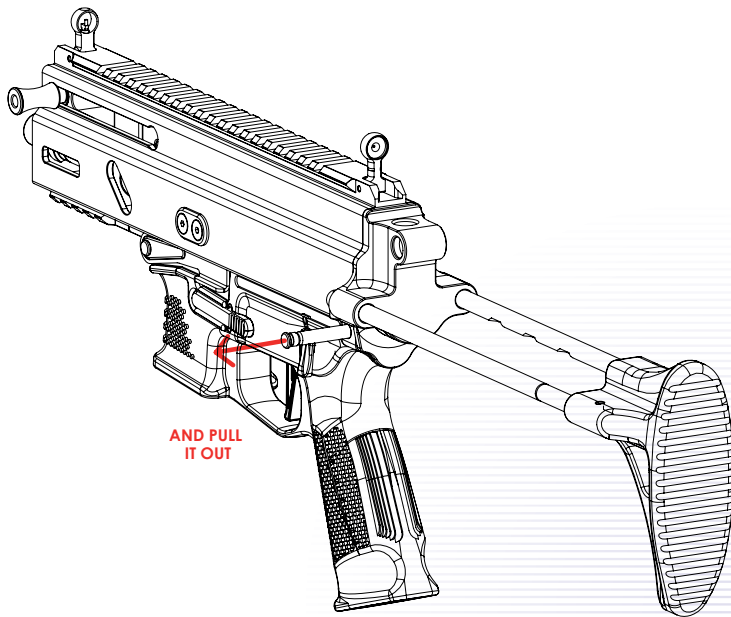
Point the gun in a safe direction. Remove the magazine and verify that there is no round in the chamber or magazine well. Follow the steps pictured below.





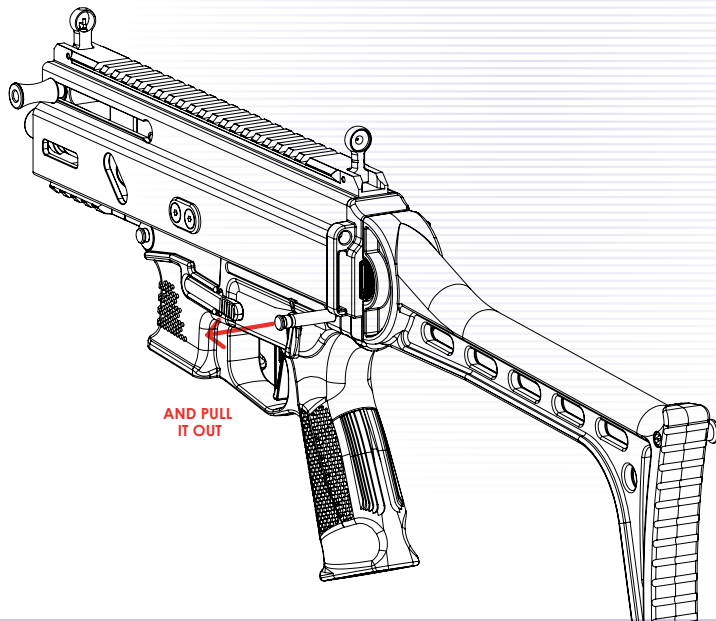
Alternative stock:

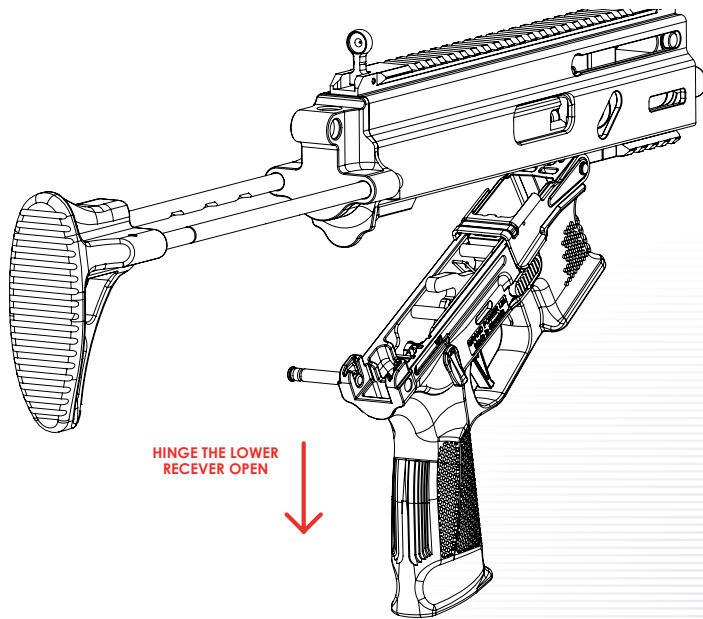






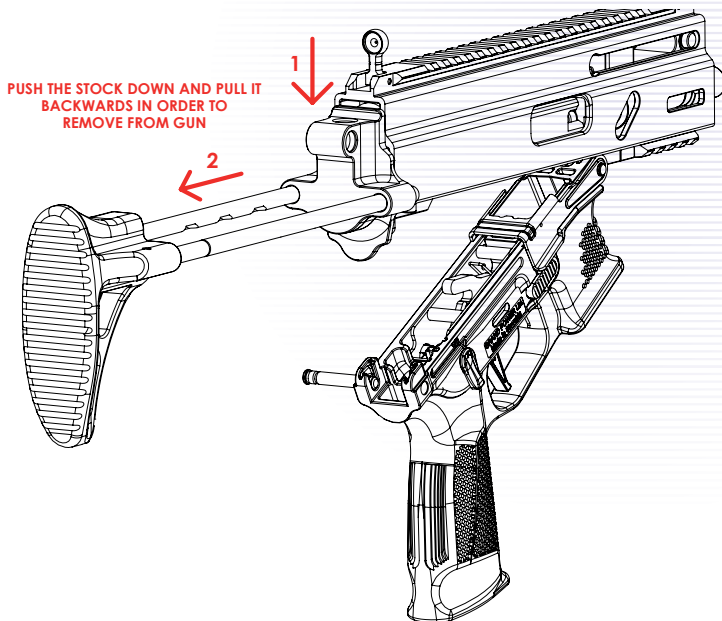
Alternative stock:



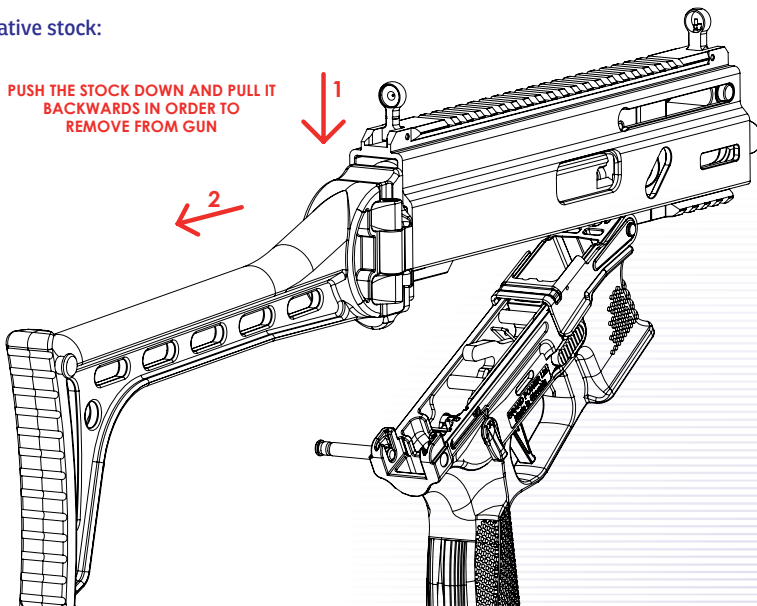




The STRIBOG

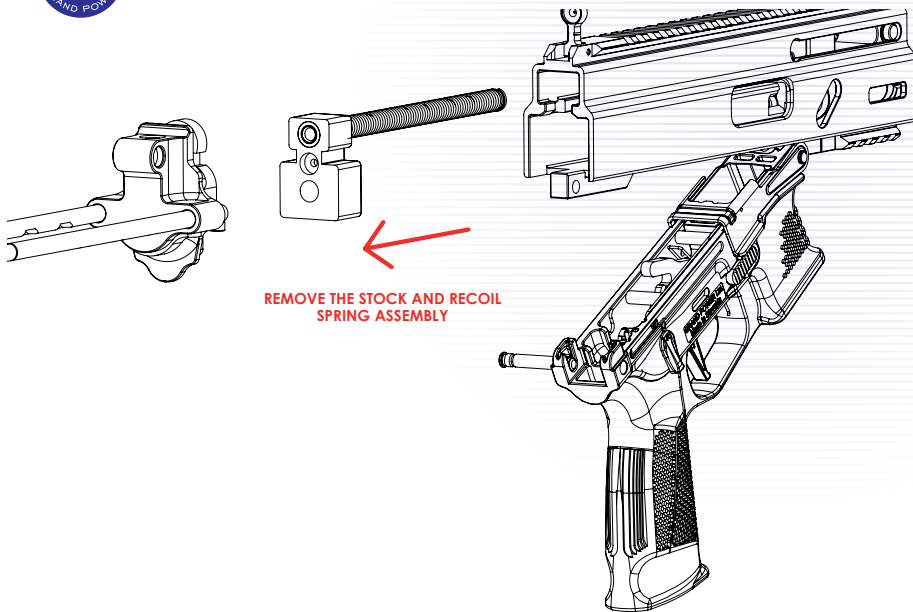


Alternative stock:



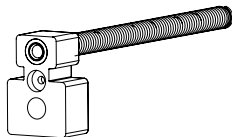
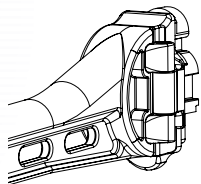


The STRIBOG

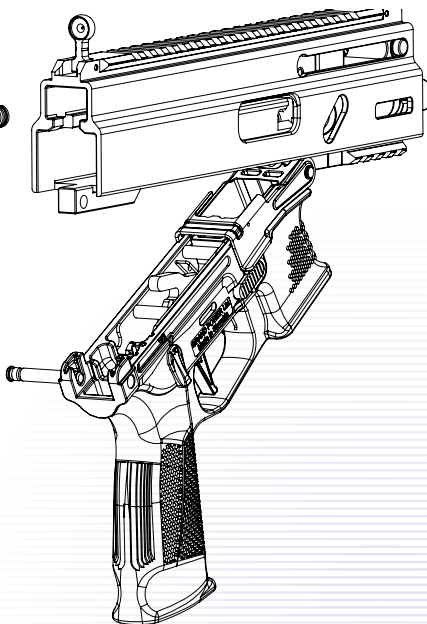


REMOVE THE STOCK AND RECOIL
SPRING ASSEMBLY

Alternative stock:

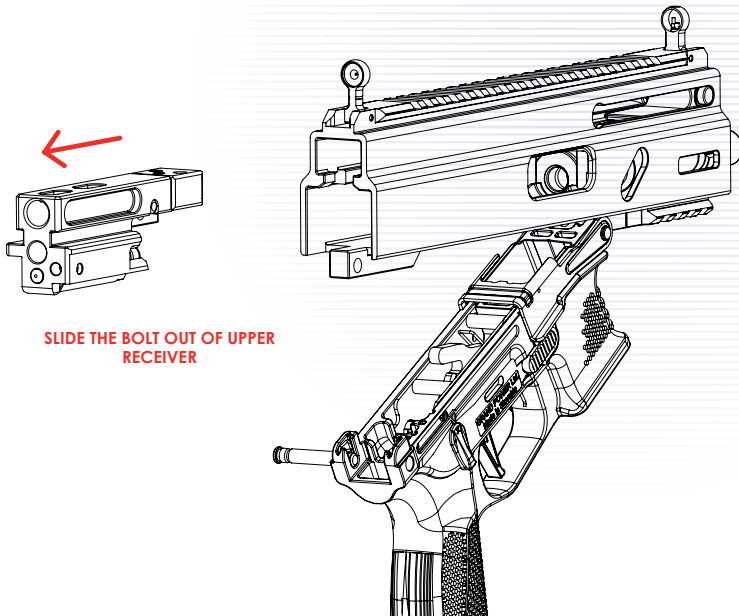


REMOVE THE STOCK AND RECOIL
SPRING ASSEMBLY

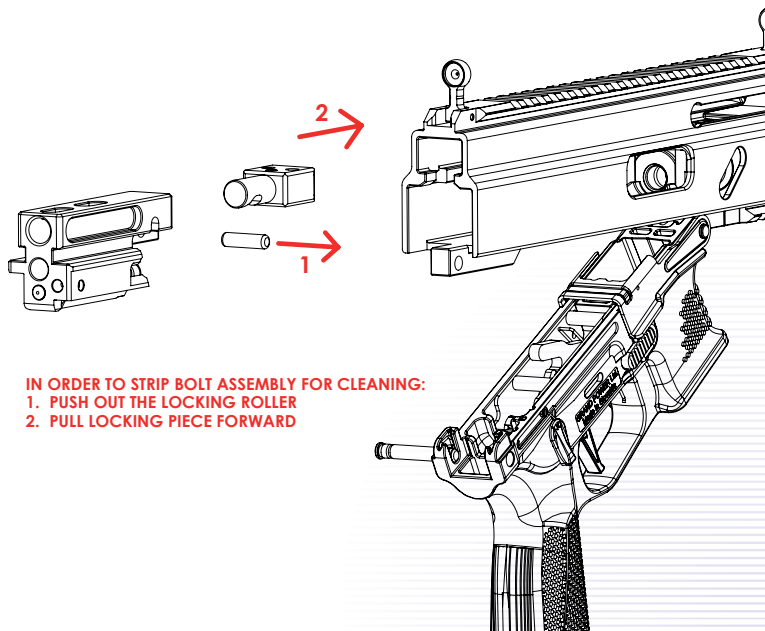




The STRIBOG



**SLIDE THE BOLT OUT OF UPPER
RECEIVER**



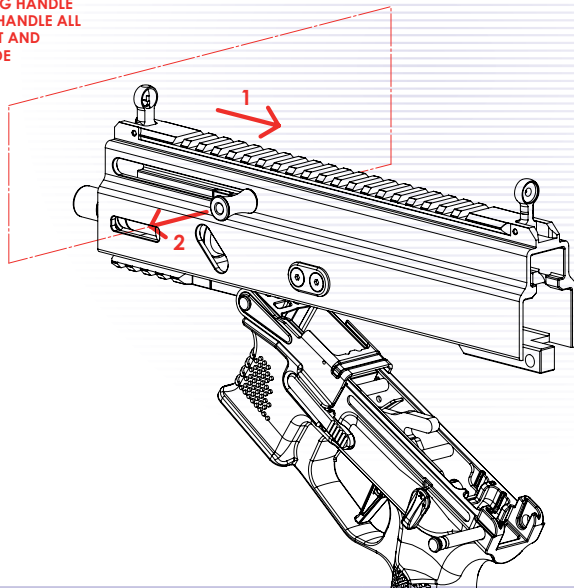
IN ORDER TO STRIP BOLT ASSEMBLY FOR CLEANING:

- 1. PUSH OUT THE LOCKING ROLLER**
- 2. PULL LOCKING PIECE FORWARD**



The STRIBOG

IN ORDER TO SWITCH CHARGING HANDLE
FROM LEFT TO RIGHT, SLIDE BOLT HANDLE ALL
THE WAY BACK, PULL IT OUT AND
INSERT ON OPPOSITE SIDE





GRAND POWER Ltd.
Príboj 558, 976 13 Slovenská Ľupča
SLOVAKIA

www.grandpower.eu