

INSTRUCTION MANUAL



RUGER® RED LABEL SHOTGUN

– RUGGED, RELIABLE FIREARMS –



**READ THE INSTRUCTIONS AND
WARNINGS IN THIS MANUAL CAREFULLY
BEFORE USING THIS FIREARM**

© 2013 Sturm, Ruger & Co., Inc.

This manual may not be reproduced in whole or in part without the express written permission of Sturm, Ruger & Co., Inc.

**For Service on This Model Please Call:
(603) 865-2442 (See p. 31)**

THIS INSTRUCTION MANUAL SHOULD ALWAYS ACCOMPANY THIS FIREARM AND BE TRANSFERRED WITH IT UPON CHANGE OF OWNERSHIP, OR WHEN THE FIREARM IS LOANED OR PRESENTED TO ANOTHER PERSON.

WWW.RUGER.COM

OU2/11-13
R1

State-By-State Warnings

Certain states require by law that their own specified warning notices in larger-than-normal type be conspicuously included by the manufacturer, distributor, or retailer with firearms sold in that state. Sturm, Ruger sells its products in compliance with applicable laws and regulations. Because our products may be sold in these states, we include the following:

California:

WARNING

“Children are attracted to and can operate firearms that can cause severe injuries or death. Prevent child access by always keeping guns locked away and unloaded when not in use. If you keep a loaded firearm where a child obtains and improperly uses it, you may be fined or sent to prison.”

ADVERTENCIA

“A los niños los atraen las armas de fuego y las pueden hacer funcionar. Ellos pueden causarse lesiones graves y la muerte. Evite que los niños tengan acceso a las armas de fuego guardándolas siempre con llave y descargadas cuando no las esté utilizando. Si usted tiene un arma de fuego cargada en un lugar en que un niño tiene acceso a ella y la usa indebidamente, le pueden dar una multa o enviarlo a la cárcel.”

Connecticut:

“UNLAWFUL STORAGE OF A LOADED FIREARM MAY RESULT IN IMPRISONMENT OR FINE.”

Florida:

“IT IS UNLAWFUL, AND PUNISHABLE BY IMPRISONMENT AND FINE, FOR ANY ADULT TO STORE OR LEAVE A FIREARM IN ANY PLACE WITHIN THE REACH OR EASY ACCESS OF A MINOR UNDER 18 YEARS OF AGE OR TO KNOWINGLY SELL OR OTHERWISE TRANSFER OWNERSHIP OR POSSESSION OF A FIREARM TO A MINOR OR A PERSON OF UNSOUND MIND.”

Maine:

“ENDANGERING THE WELFARE OF A CHILD IS A CRIME. IF YOU LEAVE A FIREARM AND AMMUNITION WITHIN EASY ACCESS OF A CHILD, YOU MAY BE SUBJECT TO FINE, IMPRISONMENT OR BOTH. KEEP FIREARMS AND AMMUNITION SEPARATE. KEEP FIREARMS AND AMMUNITION LOCKED UP. USE TRIGGER LOCKS.”

Maryland:

“WARNING: Children can operate firearms which may cause death or serious injury. It is a crime to store or leave a loaded firearm in any location where an individual knew or should have known that an unsupervised minor would gain access to the firearm. Store your firearm responsibly!”

Massachusetts:

“WARNING FROM THE MASSACHUSETTS ATTORNEY GENERAL: This handgun is not equipped with a device that fully blocks use by unauthorized users. More than 200,000 firearms like this one are stolen from their owners every year in the United States. In addition, there are more than a thousand suicides each year by younger children and teenagers who get access to firearms. Hundreds more die from accidental discharge. It is likely that many more children sustain serious wounds, or inflict such wounds accidentally on others. In order to limit the chance of such misuse, it is imperative that you keep this weapon locked in a secure place and take other steps necessary to limit the possibility of theft or accident. Failure to take reasonable preventive steps may result in innocent lives being lost, and in some circumstances may result in your liability for these deaths.”

“IT IS UNLAWFUL TO STORE OR KEEP A FIREARM, RIFLE, SHOTGUN OR MACHINE GUN IN ANY PLACE UNLESS THAT WEAPON IS EQUIPPED WITH A TAMPER-RESISTANT SAFETY DEVICE OR IS STORED OR KEPT IN A SECURELY LOCKED CONTAINER.”

New Jersey:

“IT IS A CRIMINAL OFFENSE TO LEAVE A LOADED FIREARM WITHIN EASY ACCESS OF A MINOR.”

New York City:

“THE USE OF A LOCKING DEVICE OR SAFETY LOCK IS ONLY ONE ASPECT OF RESPONSIBLE FIREARM STORAGE. FOR INCREASED SAFETY, FIREARMS SHOULD BE STORED UNLOADED AND LOCKED IN A LOCATION THAT IS BOTH SEPARATE FROM THEIR AMMUNITION AND INACCESSIBLE TO CHILDREN AND OTHER UNAUTHORIZED PERSONS.”

North Carolina:

“IT IS UNLAWFUL TO STORE OR LEAVE A FIREARM THAT CAN BE DISCHARGED IN A MANNER THAT A REASONABLE PERSON SHOULD KNOW IS ACCESSIBLE TO A MINOR.”

Texas:

“IT IS UNLAWFUL TO STORE, TRANSPORT, OR ABANDON AN UNSECURED FIREARM IN A PLACE WHERE CHILDREN ARE LIKELY TO BE AND CAN OBTAIN ACCESS TO THE FIREARM.”

Wisconsin:

“IF YOU LEAVE A LOADED FIREARM WITHIN THE REACH OR EASY ACCESS OF A CHILD YOU MAY BE FINED OR IMPRISONED OR BOTH IF THE CHILD IMPROPERLY DISCHARGES, POSSESSES, OR EXHIBITS THE FIREARM.”

* * * * *

Please check with your licensed retailer or state police for additional warnings which may be required by local law or regulation. Such regulations change constantly, and local authorities are in the best position to advise you on such legal matters.

FIREARMS SAFETY IS YOUR RESPONSIBILITY

SAFETY MUST BE THE FIRST AND CONSTANT CONSIDERATION OF EVERY PERSON WHO HANDLES FIREARMS AND AMMUNITION.

This Instruction Manual is designed to assist you in learning how to use and care for your RUGER® RED LABEL SHOTGUN properly. Please contact us if you have any questions.

Only when you are certain you fully understand the Manual and can properly carry out its instructions should you practice loading, unloading, etc. with live ammunition. If you have any doubts about your ability to handle or use a particular type of gun safely, you should seek supervised instruction. Such personalized instruction often is available from local gun retailers, gun clubs or police departments. If none of these sources can help visit www.nra.org or write to the following address:

National Rifle Association
11250 Waples Mill Road
Fairfax, VA 22030-7400

The person possessing a gun has a full-time job. You cannot guess; You cannot forget; You must know how to use your firearm safely. **Do not use any firearm without having a complete understanding of its particular characteristics and safe use.** Remember: There is no such thing as a foolproof gun.

TABLE OF CONTENTS

	Page
State-By-State Warnings	2
Nomenclature	7-9
Locking Device Installation Instructions	10-13
General Information & Mechanical Characteristics	14
Operation of Safety	15
Safety/Barrel Selector Positions	16-17
Assembling the Shotgun	18-19
Use of Screw-In Chokes	20-21
Ammunition	22
Steel Shot	23
Operation of the Shotgun	23
To Load and Fire	23-24
To Unload	25-26
Disassembly and Reassembly Procedure	27
Care and Cleaning	28
Storage	29
Maintenance of Stainless Steel Components	30
Service and Parts Policy	31
Shipping Firearms For Repair	31
Ordering Parts	32
Parts List	33-35
Exploded View	36-38
The Basic Rules of Safe Firearms Handling	39-42
Warranty Information	44

“RUGER®” and the Ruger Logo are registered U.S. trademarks.



WARNINGS OF GREAT IMPORTANCE ARE FOUND ON THE FOLLOWING PAGES:

Locking Devices	10	Unloading	26
Alterations	14	Handling	26
Safety Selector	17	Disassembly	28
Screw-In Chokes	21	Lubrication	29
Ammunition	22	Storage	30
Lead Exposure	22	Shipping	31
Firing	25	Parts Purchasers	32

OTHER CAUTIONS AND WARNINGS APPEAR THROUGHOUT THE MANUAL.

NOMENCLATURE

Figure 1



RUGER® RED LABEL
SHOTGUN CASE

Figure 2

STOCK / RECEIVER
ASSEMBLY



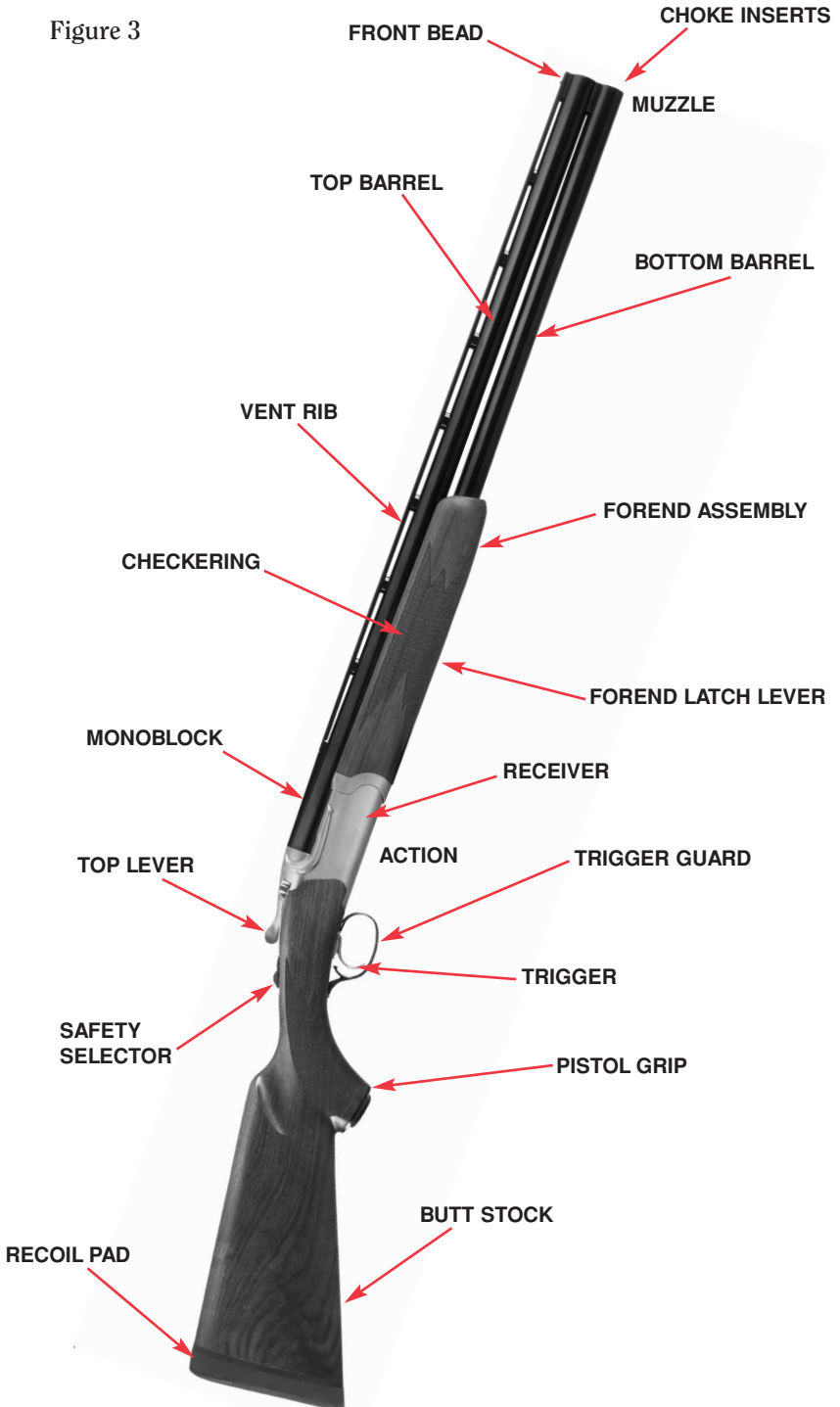
CHOKE WRENCH

3 CHOKES

BARREL / FOREND
ASSEMBLY

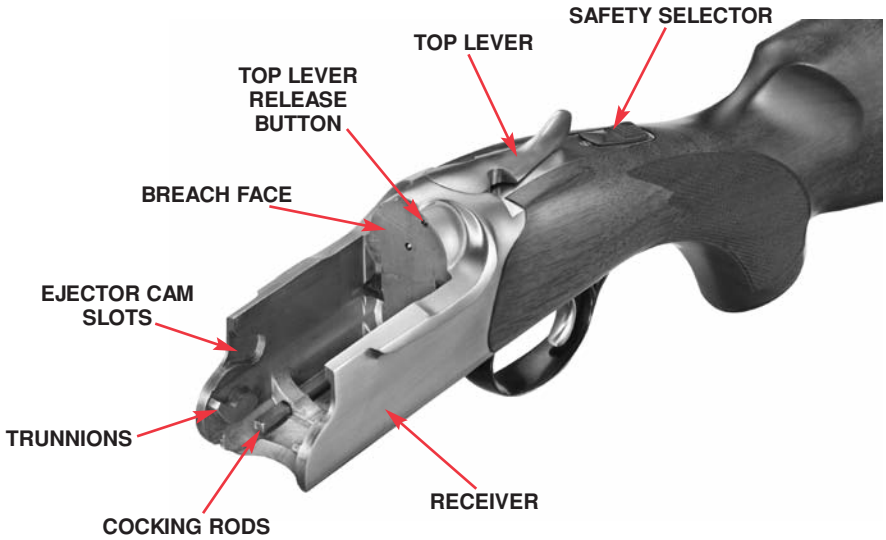
NOMENCLATURE

Figure 3



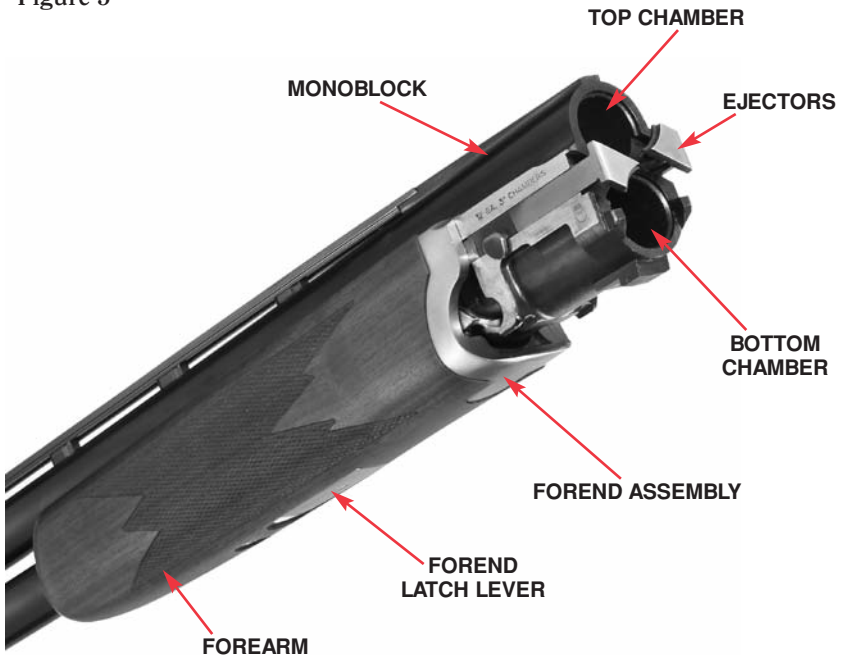
STOCK/RECEIVER ASSEMBLY

Figure 4



BARREL/FOREND ASSEMBLY

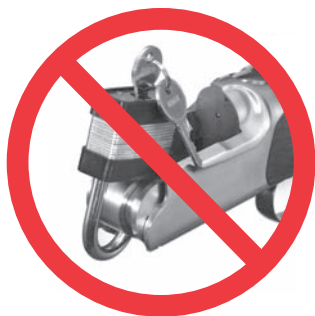
Figure 5



LOCKING DEVICE INSTALLATION INSTRUCTIONS



WARNING – USE OF LOCKING DEVICES



**Do not store keys
in lock.**

- Always keep your firearm pointed in a safe direction, including when you are installing or removing your locking device.
- Always verify that your firearm is completely **unloaded** before installing your locking device.
- Do **not** install locking devices in the trigger guard; always keep your fingers, clamp and locking device outside the trigger guard during device installation and removal.
- Store firearms, ammunition and keys separately and securely, away from children and careless adults; do **not** store your firearm with the keys in the locking device.
- Do not attempt to work the action of your firearm with the locking device in place; this may damage your firearm.
- While locking devices are an important aid to security measures, they are not a substitute for safe firearm handling and proper storage.
- Remember that any mechanical device can be bypassed with enough time, knowledge, determination and equipment.

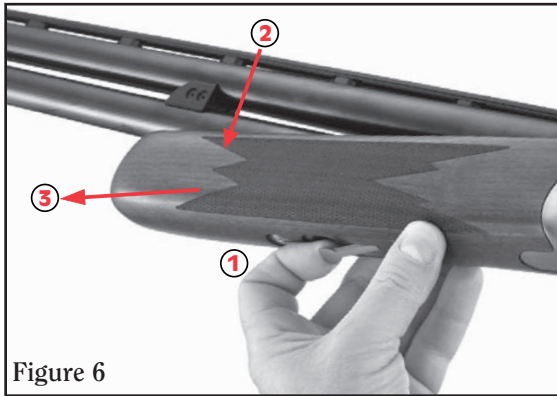
**LOCKING DEVICES MUST BE USED
SAFELY AND RESPONSIBLY**

Use the Correct Lock: Your RUGER® RED LABEL is supplied with a unique locking device which prevents the gun from being assembled. While the lock is similar to locks used on other gauges, the locking device supplied with your firearm has been specifically designed for that gauge. The size of the padlock also is important.

To Install the Factory-Supplied Locking Device:

1. **Keep the shotgun pointed in a safe direction and your fingers outside the trigger guard at all times!**
2. Push the top lever to the right. Open the gun by pivoting the end of the barrels downward. **Check both chambers to be sure that the gun is UNLOADED.** Afterwards, close the gun.

3. Pull out the forend latch lever and separate the forend assembly from the barrels. (See Figure 6.)



4. Push the top lever to the right. Open the gun by pivoting the end of the barrels downward. Lift the barrel assembly off the trunnions of the receiver.
5. Replace the forend assembly onto the barrel assembly by sliding it over the rear of the ejectors. Align the forend latch hook with the forend latch lever and snap them together.
6. Compress the locking device with your thumb and index finger. Hold it with the flat downward. (See Figures 7a and 7b.)

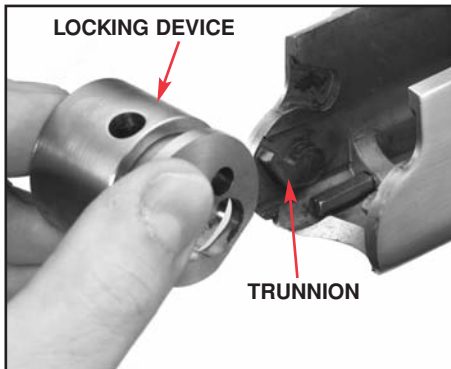


Figure 7a

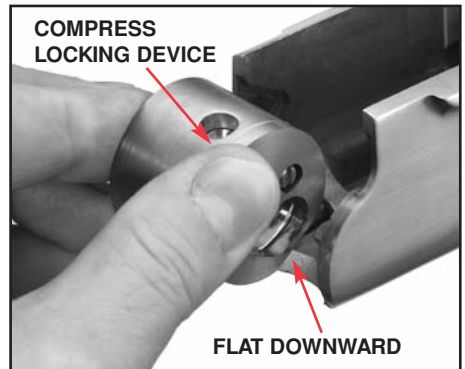
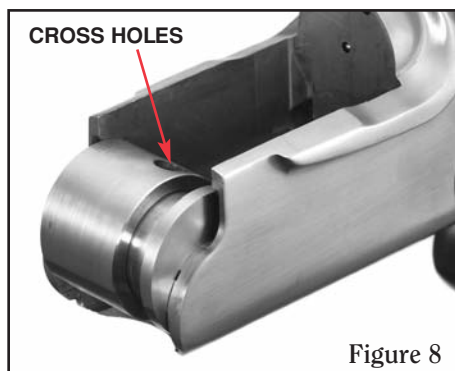


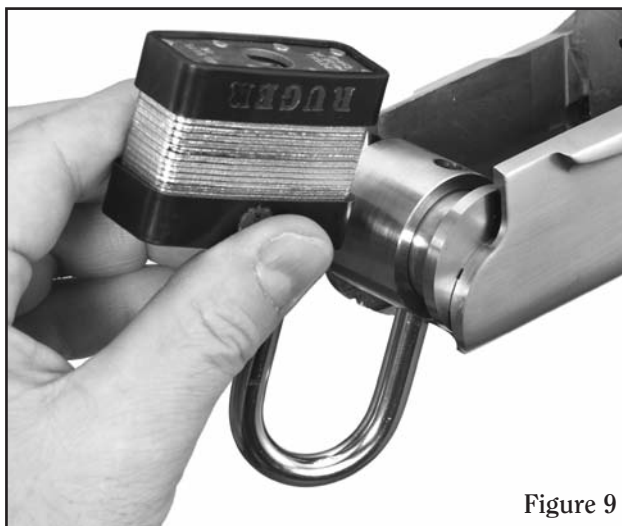
Figure 7b

7. Place the Locking Device between the trunnions located on the forward inside portion of the receiver. The flat of the Locking Device must be facing the bottom of the receiver. The pockets in the Locking Device must be aligned with the trunnions. (See Figure 7b.)

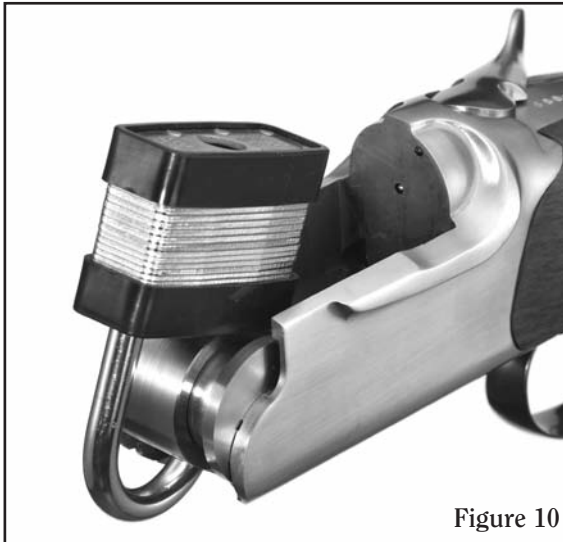
8. Slide one of the pockets over one of the trunnions. (See Figure 7b, page 11.)
9. Release the spring loaded Locking Device to expand over the other trunnion. If the Locking Device does not engage the second trunnion, a little wiggling of the device will seat it.
10. When the Locking Device expands, the cross holes will align. (See Figure 8.)



11. Use the key to open the padlock provided. Swing the body around 180 degrees. Insert the shackle into the bottom of the Locking Device and slide upward. (See Figure 9.)



12. When it is fully inserted, swing the body around 180 degrees and press the padlock together until it locks. (See Figure 10.)



13. Once the lock is closed, pull firmly on the lock to test the connection and be sure it is securely locked.
14. Remove the key. **Do not leave or store your firearm with the key in the lock!** Store your locked unloaded firearm and the key in secure separate locations, away from ammunition, children, or unauthorized adults.

**FIREARMS ARE DANGEROUS WEAPONS
READ THE INSTRUCTIONS AND WARNINGS
IN THIS MANUAL THOROUGHLY AND
CAREFULLY BEFORE USING.**

 WARNING – ALTERATIONS	
	This product was designed to function properly in its original condition. Alterations can make it unsafe. Do not alter any part or add or substitute parts or accessories not made by Sturm, Ruger & Co. Inc.
	DO NOT ALTER ANY GUN

GENERAL INFORMATION AND MECHANICAL CHARACTERISTICS

The RUGER® RED LABEL SHOTGUN is a two-shot, double-barreled shotgun that comes in a variety of gauges, stock configurations and barrel lengths. All current models come with “screw-in” choke inserts of various degrees of choke.

THE SAFETY MECHANISMS

The sliding *safety selector* is located on the upper rear portion of the receiver. This safety selector serves two functions. Sliding the safety selector forward, to the “FIRE” position, allows the trigger to engage the sears, which allows the gun to fire. Sliding the safety selector rearward, to the “SAFE” position, disengages the trigger from the sears, preventing the trigger from firing the gun. In the rearward position, the safety selector can be rotated to the left side or to the right side. This allows the shooter to select the firing order of the two barrels, either (T) Top or (B) Bottom.

The safety selector is not a replacement for safe and proper gun handling. Always point your firearm in a safe direction. Treat it as if it were loaded and ready to fire.

THE BARREL ASSEMBLY

The *barrels* are silver brazed to the monoblock at the chamber portion of the barrel. The vent rib is silver brazed to the top barrel. The machine-cut cross serrations in the top surface of the rib provide a matte, glare-free sighting plane. The *front sight* is a standard brass bead.

The *trunnions* (on which the barrels pivot) are machined integral with the receiver. They are mounted high, close to the centerline of the bottom barrel.

When the *barrel assembly* is rotated and closed into the receiver, the monoblock pushes a button located in the upper portion of the breach face of the receiver. This releases the top lever, which then rotates toward the center. The movement of the top lever forces the two locking bolts forward. The wedge shape of the locking bolts engages the sloped lugs of the monoblock, creating a zero-backlash connection between the barrel assembly and the receiver.

The automatic *ejectors* assemble to the monoblock without retaining pins or screws. The *ejector sears* are pivoted on integral studs in the forend iron.

THE WOOD

The stock and forearm are made from first quality straight-grain American walnut, fully seasoned, with deep-cut checkering of 20 lines/inch. Both the 12 GA and 20 GA models come with a pistol grip. All wood surfaces are sealed with a satin weather resistant finish.

Provision is made in the stock for the *through-bolt* system of attachment, which is strong and simple. The rear ends of the tangs interlock with the wood and the forward end of the stock is tenoned into recesses in the receiver to provide maximum strength and resistance to splitting or loosening.

The rubber *recoil pad*, when seated against your shoulder, will help absorb the recoil force from the shotgun.

SPECIAL FEATURES

The RUGER® RED LABEL SHOTGUNS are offered with stainless steel receivers proportioned for each gauge. The trigger, top lever, and forend iron are made of stainless steel with brushed finish. The trigger guard, safety selector, and barrels are of tough heat-treated alloy steel, polished overall, and blued.

OPERATION OF SAFETY

The RUGER® RED LABEL SHOTGUN uses the safety selector, located at the top rear of the receiver, to also provide the additional function of barrel selection.

The safety selector can be moved from the “FIRE” position to the “SAFE” position whether or not the mechanism is cocked. Fully opening the shotgun cocks the mechanism. The action can be opened with the safety selector in the “SAFE” position.

Whenever the action is opened, the safety selector is automatically moved rearward to the “SAFE” position. A stamped letter “S” is visible forward of the safety selector on the top surface of the receiver. If the safety selector is moved forward to cover the letter “S”, the safety is in the “FIRE” position. It remains in that position until moved back to the “SAFE” position manually, or until the action is opened again. **Keep the safety in the “SAFE” position, unless actually firing!**

SAFETY/BARREL SELECTOR POSITIONS



Figure 11

Safety selector in the "SAFE" (S) full rearward position. The shotgun is only on "SAFE" when the "S" is fully exposed. **Keep the safety in the "SAFE" position at all times, until you are ready to shoot.**

The safety selector must first be in the "SAFE" position. Rotate the safety selector to the left side. The stamped letter "T" will be exposed, indicating the top barrel has been selected. Now move the safety selector forward to the "FIRE" position. Pulling the trigger will cause the top barrel to fire 1st – a 2nd pull of the trigger will fire the bottom barrel.



Figure 12

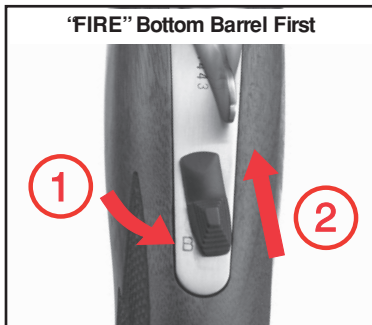


Figure 13

The safety selector must first be in the "SAFE" position. Rotate the safety selector to the right side. The stamped letter "B" will be exposed, indicating the bottom barrel has been selected. Now move the safety selector forward to the "FIRE" position. Pulling the trigger will cause the bottom barrel to fire 1st – a 2nd pull of the trigger fires the top barrel.



WARNING:

- **DO NOT PLACE YOUR FINGER INSIDE THE TRIGGER GUARD when manipulating the safety selector.**
- **Whenever the safety selector is in the "FIRE" position, the shotgun can fire.**

Practice (with an unloaded shotgun) moving the safety selector to the three positions. The three modes are:

1. S – “SAFE”
2. T – “FIRE” TOP barrel first.
3. B – “FIRE” BOTTOM barrel first.

Know these positions thoroughly.

NOTE: This safety selector is held in each of its three positions by a plunger that is under spring tension. The gun user should frequently check the position of the safety selector to be certain it has not inadvertently been moved. If the safety selector seems to move too easily or if the safety selector does not seem firmly positioned in any of its three positions, the shotgun should be discontinued from use and returned to our Newport, New Hampshire Service Department for repair.

The safety selector should unflinchingly be moved to the “SAFE” (S) position when the gun user ceases firing, even for a moment.

 WARNING – SAFETY SELECTOR	
 “SAFE”	<ul style="list-style-type: none">• Keep the safety selector in the “SAFE” position unless actually firing.• Always move the safety fully to its intended position and <u>check</u> it.• The safety has three positions – “SAFE” (S), “FIRE (T) TOP Barrel- FIRST” and “FIRE (B) BOTTOM Barrel - FIRST”.• Never depend on a safety mechanism or any other mechanical device to justify careless handling or permitting the shotgun to point in an unsafe direction.• The only “safe” gun is one in which the action is open and the chambers are empty.
 “FIRE” TOP BARREL FIRST	
 “FIRE” BOTTOM BARREL FIRST	
KNOW HOW TO USE THE SAFETY	

ASSEMBLING THE SHOTGUN

The RUGER® RED LABEL SHOTGUN is shipped partially disassembled (see Figure 2, page 7). To assemble, proceed as follows:

1. After unwrapping the barrel/forend assembly and receiver/stock assembly, wipe excess rust preventative oil from the monoblock and inside surfaces of the receiver. Swab the bores with a clean cloth patch on a cleaning rod to remove any excess oil.

Do not attempt to attach barrel assembly to receiver with the forend assembly attached!

2. To separate the forend assembly from the barrel assembly (See Figure 14):

- a. Unlatch the forend assembly by pulling down on the forend latch lever.

- b. Carefully pull down on tip of forearm until slight resistance is felt - APPLICATION OF EXCESSIVE FORCE AT THIS POINT CAN RESULT IN BREAKAGE.

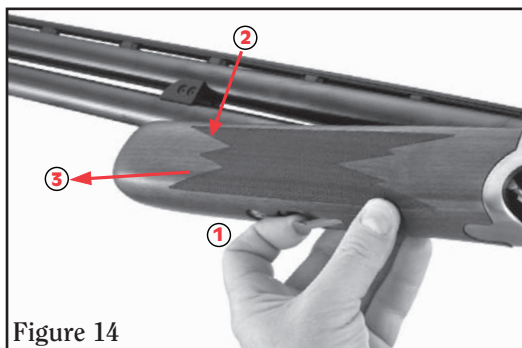


Figure 14

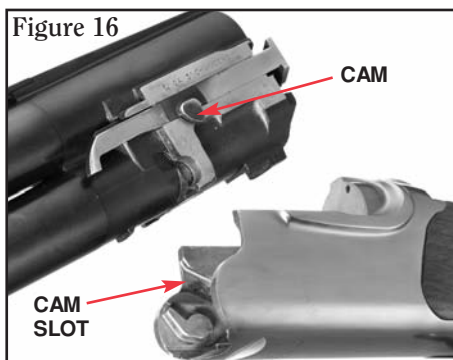
- c. While holding the forearm tip away from barrels, carefully pull the forend assembly toward the muzzle and remove the forend assembly from the barrels.

3. To attach the barrel assembly to the receiver, hold the stock by the pistol grip in one hand as shown in Figure 15. Make sure the top lever is opened in order to accept the barrel assembly. Hold the barrel assembly in the right in order to accept the barrel assembly. Hold the barrel assembly in the other hand. Lower the barrel assembly into the receiver and engage the integral trunnions in the receiver with the corresponding recesses at the front end of the monobloc.

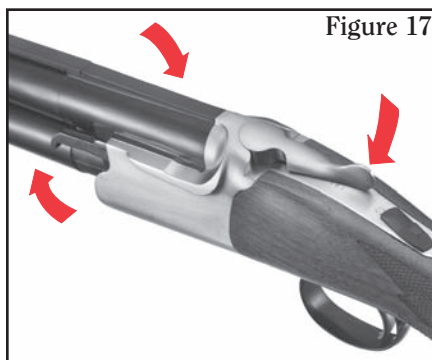


Figure 15

NOTE: Before closing the gun, be sure the small cams on the outer surfaces of the ejectors engage the ejector cam slots inside the front end of the receiver (see Figure 16). *The foregoing must be followed otherwise the receiver will be damaged by the ejectors as the gun is closed.*



4. Swing the muzzle end of the barrels upward, pivoting the rear end of the monobloc downward to seat in the receiver as shown in Figure 17. The barrel assembly is seated and locked into the receiver when the top lever returns to the center position. In new guns, the top lever will be slightly to the right of the center to allow for wear during the life of the gun.



5. Place the rear end of the forend assembly over the ends of the ejectors as shown in Figure 18. Swing the front end of the forearm upward until the forend latch lever catches the forend latch hook on the underside of the lower barrel and the forend assembly snaps into its locked position.



USE OF SCREW-IN CHOKES

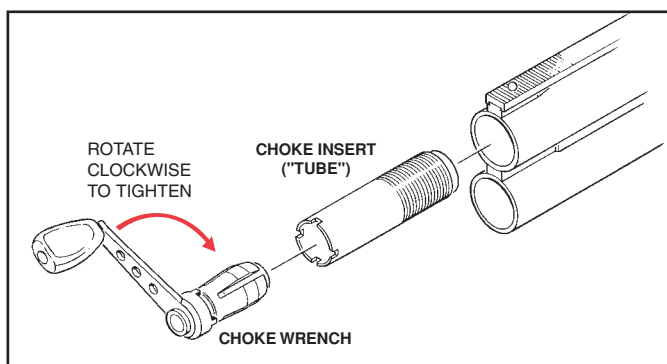
Your Red Label Shotgun is shipped from the factory with screw-in chokes installed. The screw-in choke inserts provided with your shotgun are stainless steel. They are stamped on the side either “FULL,” “MODIFIED,” “IMPROVED CYLINDER,” or “SKEET.” They are not interchangeable with the shorter, blued steel choke tubes of older Ruger shotguns which have the identification slots. **Be sure you use only the correct choke inserts (tubes).**

Before removing or installing screw-in chokes, make sure the shotgun is unloaded! Either open the action or dismount the barrel assembly completely from the receiver/stock assembly.

To remove the screw-in chokes, insert the choke wrench and rotate the screw-in chokes counter-clockwise until they are completely free of the threads.

To install screw-in chokes:

1. Lightly coat the threads of both the barrel and the desired choke insert with good quality gun oil.
2. Carefully start the choke insert into the barrel threads by hand, taking care that the choke insert does not cross-thread.
3. Use the choke wrench (supplied), to lightly tighten the choke insert into the barrel.
4. Stop when the choke insert is fully bottomed into its recess in the barrel.
5. Remove the choke wrench from the barrel after tightening.



NOTE: The choke inserts may protrude slightly from the muzzle when fully seated. This is normal and helps protect the muzzle of the barrel from damage.

To minimize the possibility of damage to the screw-in choke inserts and the barrel threads, it is recommended that a set of choke inserts be kept correctly tightened into the barrel at all times, including storage and cleaning.

Cleaning the barrels without the choke inserts in place can push dirt and other fouling into the barrel threads. This can prevent the choke inserts from properly seating and may damage the threads.

Rifled Slugs — Do not fire slugs unless a choke insert is installed (see “Warning – Screw-In Chokes,” p. 21).

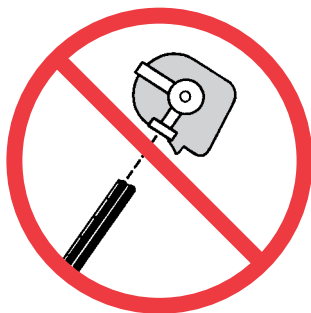
A general rule of thumb is that if the choke inserts screw in significantly below flush with the muzzle, or if the chokes stick more than slightly out of the muzzle when completely tightened, you are using the wrong choke inserts!

Never fire the shotgun without the screw-in choke inserts in place. Doing so will cause an erratic shot pattern and may irreversibly damage the threads in the barrel.

Do not attempt to use screw-in choke tubes of any other make or manufacture in Ruger shotguns. They will not function properly.



WARNING – SCREW-IN CHOKES






- **Do not peer directly into the shotgun muzzles!** This is dangerous and unnecessary.
- Do not change choke inserts in a loaded shotgun, regardless of the position of the safety.
- Never fire the shotgun if the screw-in choke inserts are not fully and tightly bottomed into the barrel threads, or if the inserts are improperly installed or “cross-threaded,” or if the threads of either the barrel or the choke insert are damaged. Under these conditions, the barrel will be damaged and the screw-in choke inserts can be propelled out of the muzzle with great velocity when the gun is fired, with resultant risks of property damage or injury to the shooter or bystanders.
- Do not attempt to alter or modify existing fixed choke Ruger shotgun barrels for screw-in choke inserts. This can seriously weaken the barrel and may be dangerous.
- See “Alteration Warning,” page 14.

**DO NOT PEER INTO MUZZLES
OR CHANGE TUBES ON A
LOADED SHOTGUN**



AMMUNITION

The Ruger 12 and 20 gauge over-and-under shotguns of current manufacture have 3" chambers and may be used with all standard commercially manufactured 2 3/4" and 3" shot shells. This gun has been tested with special proof test ammunition which conforms to U.S. industry practice. This shotgun is intended for use only with standard ammunition of the proper gauge and loading. Use of incorrect ammunition can destroy any gun and result in serious injury to the shooter or bystanders.

		WARNING – AMMUNITION
		<ul style="list-style-type: none">• Death, serious injury, and damage can result from the use of wrong ammunition, bore obstructions, powder overloads, or incorrect cartridge components.• <u>Always</u> wear shooting glasses and hearing protectors.
		IMPROPER AMMUNITION DESTROYS GUNS

AMMUNITION (CARTRIDGES) NOTICE

WE SPECIFICALLY DISCLAIM RESPONSIBILITY FOR ANY DAMAGE OR INJURY WHATSOEVER OCCURRING IN CONNECTION WITH, OR AS A RESULT OF, THE USE IN ANY RUGER FIREARMS OF FAULTY, OR NON-STANDARD, OR "REMANUFACTURED" OR HAND-LOADED (RELOADED) AMMUNITION, OR OF CARTRIDGES OTHER THAN THOSE FOR WHICH THE FIREARM WAS ORIGINALLY CHAMBERED.

		WARNING – LEAD EXPOSURE
	<ul style="list-style-type: none">• Discharging firearms in poorly ventilated areas, cleaning firearms, or handling ammunition may result in exposure to lead and other substances known to the State of California to cause birth defects, reproductive harm, and other serious physical injury.• Have adequate ventilation at all times.• Wash hands thoroughly after exposure.	SHOOTING OR CLEANING GUNS MAY EXPOSE YOU TO LEAD

STEEL SHOT

All 2 3/4" and 3" steel shot loads loaded to current U.S. industry specifications can be used in currently manufactured Ruger shotguns equipped with screw-in chokes. As we have no control over the manufacture of ammunition which may be introduced in the future, we cannot be responsible for damage caused by steel shot loads.

Since steel shot generally patterns tighter than conventional lead shot loads, it would be wise to avoid the use of steel shot altogether in conventionally choked "full choke" barrels. Modified choke barrels generally deliver "full choke" patterns when used with steel shot.

We do not recommend *any* of our shotguns for use with *reloads* of any kind.

OPERATION OF THE SHOTGUN

Always check to be sure the gun is unloaded before handling, "dry-firing," take-down, cleaning or storage.

Every RUGER® RED LABEL SHOTGUN is inspected before shipment to ensure that it conforms to our standards of finish and performance. WE ASSUME NO RESPONSIBILITY FOR ANY INJURY OR DAMAGES RESULTING FROM ITS INTENTIONAL OR ACCIDENTAL DISCHARGE. No mechanism can prevent injury caused by careless or thoughtless handling of a loaded firearm.



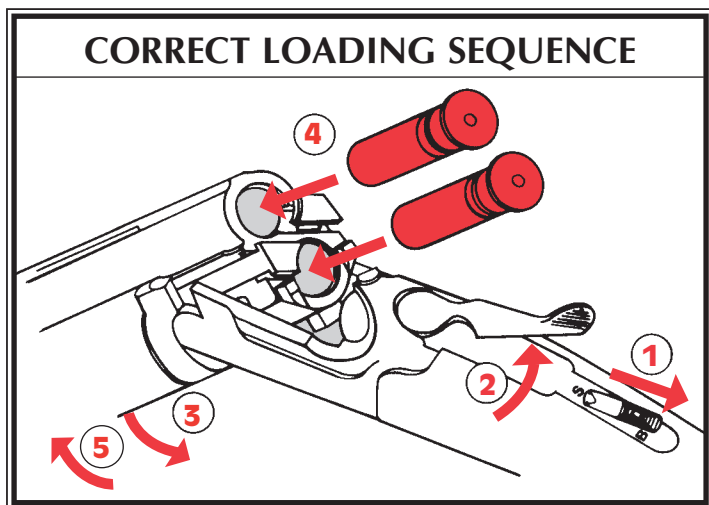
CAUTION: A GUN CONTAINING MODIFIED, BROKEN, MALFUNCTIONING, OR BADLY WORN PARTS SHOULD NOT BE FIRED.

TO LOAD AND FIRE

Practice the important aspects of gun handling described below, with an unloaded gun, until you can perform each of the steps with skill and confidence. But before loading the shotgun, please read completely through this manual, and be certain the muzzle is pointing in a safe direction. **Do not load the shotgun until you are ready to use it!**

1. With the gun assembled, move the top lever completely to the right and open the action completely. If the gun is uncocked or fired, the ejectors will snap rearward with a "click" to their extended position. **Make sure that the safety is moved rearward to the "SAFE" (S) position, (see Figure 11, p. 16).**
2. Look through the barrels from the rear to be sure that both barrels are completely free from any obstruction (See Rule 4, p. 40).
3. With the gun opened, insert a shot shell of the proper gauge in each chamber.

4. Close the action and check to be sure it is securely locked. The top lever will be slightly right of the center. **Keep the gun pointed in a safe direction and be sure the safety selector is in its rearward (SAFE) position, and the stamped “S” is completely exposed.**



5. Only when you are ready to fire, rotate the safety selector to whichever barrel you will fire first (“T” or “B”), then move the safety selector forward to the “FIRE” position. The gun is now ready to fire.



WARNING: DO NOT TOUCH THE TRIGGER UNTIL YOU ARE READY TO FIRE.

6. Pulling the trigger will fire the barrel you have selected to fire first — “T” (top barrel) or “B” (bottom barrel).
7. After firing the first barrel, the trigger must be allowed to return to its fully forward position to permit firing the second barrel. Pull the trigger again to fire the second barrel.

NOTE: The shotgun will fire regardless of a failure to fire in the first barrel or if you have failed to load a cartridge into the chamber of the first barrel. The trigger mechanism does not depend upon the recoil of the first shot to “set” the second barrel for firing (as on some competing shotguns).

8. If a second shot is not to be fired immediately, or if you have fired both barrels, the safety selector must be returned to the “SAFE” position.



WARNING – FIRING



- All persons must be a safe distance to the rear of the shooter when a shotgun is being fired.
- Particles of shot, lead, powder, lubricant, accumulated bore deposits and particles of clay targets can be blown in a wide area – particularly if the wind is blowing – into the eyes and face of the shooter and those nearby.
- Shooters and bystanders must wear shooting glasses or similar eye protection.
- Hearing protection must also be worn because exposure to shooting noise can damage hearing.

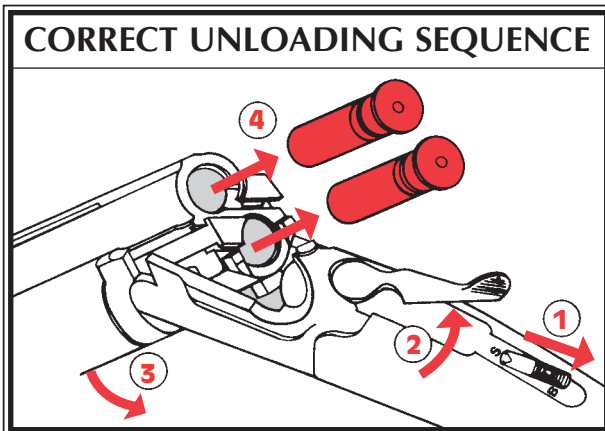
ALWAYS WEAR EYE AND HEARING PROTECTION

TO UNLOAD

1. Be certain the muzzle of the shotgun is pointing in a safe direction.
2. Move the safety selector to the “S” (SAFE) position.
3. Move the top lever completely to the right. Pivot the barrels downward to open the action and eject the empty shot shells.

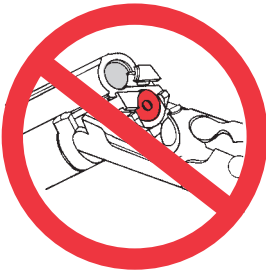
NOTE: Always open the gun fully. This is the cocking mechanism for the hammers. Firing the top barrel and only opening enough to remove the spent case in the top barrel **will not** reset the hammers.

4. If the action is opened with unfired shot shells in the chambers, they will be elevated (but not ejected) sufficiently to be easily extracted with the fingers.
You must remove live (unfired) cartridges manually!
5. Visually inspect both chambers to be sure the shotgun is completely unloaded prior to closing the action when you are finished shooting.





WARNING – UNLOADING

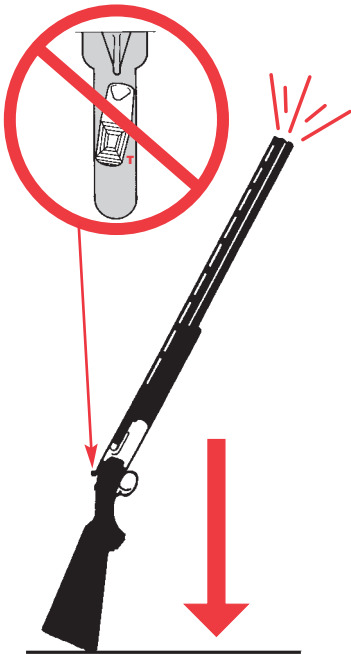


- The selective ejector mechanism only ejects fired shells. It does **not** eject live ammunition.
- Do not rely upon the ejector mechanism to unload the gun. Simply opening the gun does not unload it.
- To unload, open gun smartly, **manually remove all cartridges**, and visually check both chambers to be sure **both** chambers are unloaded.

MAKE SURE GUN IS UNLOADED



WARNING – HANDLING



- **Never carry the shotgun loaded with the safety in the FIRE position.**
- Never place a loaded gun against any object (wall, fence, vehicle, tree, etc.) because there is always the possibility that the gun will be knocked or jarred from its standing position and fall with sufficient force to be discharged.
- **Keep the safety on SAFE unless actually firing.**
- Never point the gun at another person, or allow the muzzle to point at any part of your body, whether the safety is on or not.
- **The only safe gun is one in which the action is open and unloaded.**

ANY GUN MAY FIRE IF DROPPED

DISASSEMBLY AND REASSEMBLY PROCEDURE

To take down the RUGER® RED LABEL SHOTGUN, proceed as follows:

1. Move the top lever to the right and rotate the barrels downward. **Check both chambers to be sure that the gun is *unloaded*.** Close the action by rotating the barrels upward until locked.

2. Pull out the forend latch lever and separate the forend assembly from the barrels (see Figure 19).

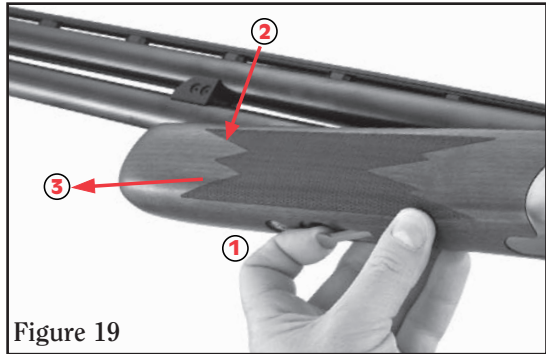


Figure 19

3. Push the top lever all the way to the right and open the gun, pivoting the muzzle end of the barrels downward (see Figure 20) and lifting the barrel assembly out of the receiver as the integral trunnions are disengaged from their corresponding recesses at the front end of the monoblock.



Figure 20

4. This completes the takedown required for all normal cleaning and maintenance purposes. *Further disassembly of component parts should only be undertaken by persons qualified in shotgun repair and is not recommended.*

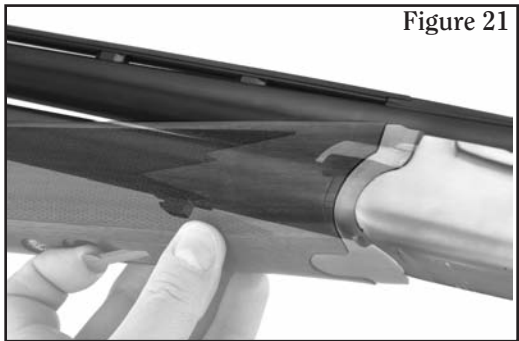
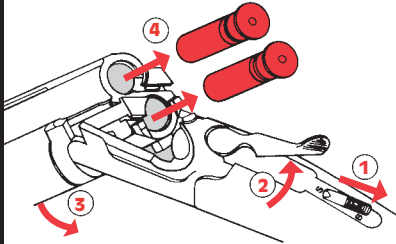


Figure 21

5. To reassemble the shotgun, replace the forend assembly onto the separated barrel assembly. (See Figure 21.) Slide the forend assembly over the rear ends of the ejectors and align the barrel latch hook with the forend latch lever and snapping them together. For more detailed reassembly instructions, see page 18.



WARNING – DISASSEMBLY



Never clean, lubricate, disassemble or work on a firearm while it is loaded.

**UNLOAD BEFORE
DISASSEMBLY**



CAUTION: THE RUGER RED LABEL SHOTGUN SHOULD NOT BE FURTHER DISASSEMBLED BY PERSONS UNQUALIFIED IN SHOTGUN REPAIR. IMPROPER FUNCTIONING AND DAMAGE TO THE GUN MAY RESULT.

CARE AND CLEANING





WARNING: BEFORE CLEANING, BE CERTAIN THAT BOTH CHAMBERS OF THE SHOTGUN CONTAIN NO CARTRIDGES

Always check to be sure the gun is completely *unloaded* before cleaning.

1. Take down the gun. (See Disassembly Procedure, p. 27.)
2. Using a proper cleaning rod, run a solvent-wetted patch through each bore several times. Then run dry patches through the bore to remove all traces of residue. The bore, as referred to here, includes the chamber.
3. If the bore is leaded to the extent that the above patch-cleaning procedure will not remove the lead or plastic residue, then scrub the bore, full length, with a solvent-wetted brass-bristle brush. When the leading has been scrubbed loose, clean as described in Step 2 above.
4. The polished surfaces of the monoblock, ejectors, and inside surfaces of the receiver where the monoblock rests should be coated with a very light film of lubricating oil.
5. Reassemble the gun, and wipe exterior metal surfaces with a sparingly oiled cloth. Accumulation of oil tends to attract dirt which can interfere with the safe and reliable function of the gun. Swab the bores with an oily patch before storing the gun. *Do not apply excess oil.*

PERIODIC MAINTENANCE – At regular intervals, or whenever the gun has been exposed to sand, dust, extreme humidity, condensation, immersion in water, or other adverse conditions, take down and clean and oil as outlined above. Lubricate the contact area of the forend iron and receiver with stainless steel lubricant. Proper periodic maintenance is essential to the reliable functioning of any firearm.

 WARNING – LUBRICATION	
	<ul style="list-style-type: none">• Firing a shotgun with oil, grease, or any other material even partially obstructing the bore may result in damage to the shotgun and serious injury to the shooter and those nearby.• Do not spray or apply lubricants directly on shot shells. If the shot shell charge is affected by the lubricant, it may not be ignited, but the primer firing may push shot or wads into the bore where they may be lodged.• Firing a subsequent shot into the obstructed bore may damage the gun and cause serious injury or death to the shooter and those nearby.• Use lubricants properly. You are responsible for the proper care and maintenance of your firearms.
IMPROPER LUBRICATION DESTROYS GUNS	

STORAGE

GUNS SHOULD NOT BE STORED LOADED!

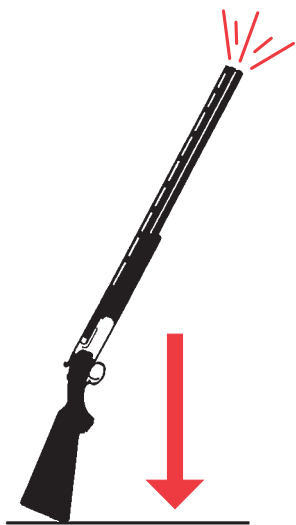
USE THE LOCKING DEVICE SUPPLIED WITH THE SHOTGUN TO RENDER IT INOPERATIVE FOR SAFE STORAGE.

(SEE PAGE 10)

Do not store the rifle in a leather case or scabbard. Leather attracts moisture, even though it may appear to be dry.



WARNING – STORAGE



- Never place or store any firearm in such a manner that it may be dislodged. Firearms should always be stored securely and unloaded, away from children and careless adults.
- Use the locking device supplied with the shotgun for storage. The use of a locking device or safety lock is only one aspect of responsible firearms storage.
- For increased safety, firearms should be stored unloaded in a location that is both separate from their ammunition and inaccessible to children and any other unauthorized person.

STORE SECURELY & UNLOADED

MAINTENANCE OF STAINLESS STEEL COMPONENTS

Firearms and components made of stainless steel are relatively more resistant to corrosion than those of blued steel. However, in the interest of proper operation and long life of a stainless steel firearm, inspect it frequently and clean, lubricate and apply an appropriate rust preventative.

Sometimes discoloration occurs from perspiration or from contact with some types of gun cases. Rusting may occur as a result of the firearm being exposed to moisture, salt air or chemicals.

Minor discoloration can usually be removed by rubbing the stainless steel area with an abrasive ink eraser, crocus cloth, or a “metal polishing” compound. When using any of these abrasives, proceed with care and use light pressure to achieve a blending of “color” with those areas that are not discolored.

External surfaces most subject to rusting from handling, or from exposure to the elements should be cleaned and wiped dry after use or after exposure to adverse conditions.

Where the shotgun is in continuing use, and the presence of oil or grease would be objectionable, then the external surfaces can be coated (after cleaning and drying) with a paste wax formulated for use on metals. Apply the wax sparingly, allow time for it to dry hard, then buff lightly with a soft cloth. When applying the wax, take care that it does not get into the mechanism or on the functioning parts or in the bore.

If the shotgun is to be stored, coat it with a light film of oil or preservative.

SERVICE AND PARTS POLICY

If you have any question with regard to the performance of your RUGER® RED LABEL SHOTGUN, please write or call (603-865-2442) our Customer Service Department, 411 Sunapee Street, Newport, New Hampshire 03773, fully describing all circumstances and conditions involved. If you should return your shotgun to the factory for repair, or order parts for it, please comply with the following suggestions for prompt service.



WARNING: BEFORE SHIPPING ANY FIREARM, BE ABSOLUTELY CERTAIN THAT IT IS UNLOADED. DO NOT SHIP CARTRIDGES WITH A FIREARM.

SHIPPING FIREARMS FOR REPAIR

RUGER® RED LABEL SHOTGUNS returned to the factory for repair should be sent to: Sturm, Ruger & Company, Inc., Customer Service Department, 411 Sunapee Street, Newport, New Hampshire 03773. **NOTE: You must obtain a Repair Authorization Number before returning your firearm.** An authorization number can be obtained by contacting Customer Service online at www.ruger.com or calling the Customer Service Dept. at 603-865-2442. Guns should be sent prepaid. We will not accept collect shipments.



The Federal Gun Control Act, as well as the law of most states and localities, does not prohibit an individual (who is not otherwise barred from purchasing or possessing a firearm) from shipping a firearm directly to the manufacturer for repair. However, before you ship your shotgun to us, be certain that your state or locality does not have a law or regulation which will prohibit you from receiving the shotgun from us after it has been repaired. If such receiving is prohibited, then please have a Federally Licensed firearms dealer ship the gun to us. If your shotgun is sent to us by a dealer, it will be returned to that dealer after being repaired. If a handgun (pistol or revolver) is shipped by an individual who does not hold a Federal Firearms License, it must be shipped for overnight delivery via U.P.S., Federal Express or other, similar private overnight service. NOTE: Handguns may not be shipped via U.S. Mail. Persons who do not hold a Federal Firearms License are prohibited by Federal law from shipping a handgun by Mail. Handguns mailed in violation of the law are impounded by the Post Office.

Please do not include your carrying case, scabbard, or custom accessories with a firearm being shipped to the factory for service. **DO NOT SEND GUN BOXES OR LITERATURE THAT YOU CONSIDER TO BE COLLECTOR'S ITEMS – THESE ARE INVARIABLY DAMAGED OR DESTROYED IN SHIPMENT.** Rifles and shotguns may be shipped via U.S. mail. Always insure your shipment.

Enclose a letter which includes your name, address, telephone number, serial number, model of the firearm, and your repair authorization number. Describe in detail the trouble you have experienced with your firearm, or the work you wish to have done. Merely stating that the firearm “needs repair” is inadequate information.

All work performed is subject to a minimum labor charge and charges for shipping and handling. Most models can be reblued, but custom gunsmithing service or nonstandard alterations are NOT AVAILABLE from Ruger Customer Service Departments. Please contact the Customer Service Department for pricing information.

Please contact the Customer Service Department for pricing for converting the automatic safety of the RUGER® RED LABEL SHOTGUN to a non-automatic safety which must be engaged manually. Please ship your gun to the factory for this safety change along with a specific request that we change your safety to non-automatic operation.

 WARNING – PARTS PURCHASERS	
	<ul style="list-style-type: none">• It is the purchaser's responsibility to be absolutely certain that any parts ordered from the factory are correctly fitted and installed.• Firearms are complicated mechanisms and IMPROPER FITTING OF PARTS MAY RESULT IN A DANGEROUS MALFUNCTION, DAMAGE TO THE FIREARM, AND SERIOUS INJURY TO THE SHOOTER AND OTHER PERSONS.• The purchaser and installer of parts must accept full responsibility for the correct adjustment and functioning of the shotgun after such installation.
PARTS MUST FIT CORRECTLY	

ORDERING PARTS

Please contact the New Hampshire Customer Service Department for parts availability and current prices. All parts orders for the RUGER® RED LABEL SHOTGUN should be sent to: Sturm, Ruger & Company, Inc., Customer Service Department, 411 Sunapee Street, Newport, New Hampshire 03773, 603-865-2442. We cannot comply with open account or C.O.D. orders. Payment in full via credit card (Visa or MasterCard only), money order or certified bank check (no personal checks or cash, please) is required before any service will be performed. Please provide your credit card number, your name as it appears on the credit card, the expiration date, and the 3-digit security code. All parts orders are subject to a minimum charge and charges for shipping and handling.

Order parts by Part Name and Part Number and include the entire serial number of the firearm for which the parts are being ordered. There is a minimum labor charge plus a shipping and handling charge if the parts are factory fitted. All factory fitted parts are fit on an exchange basis only. We will not return the replaced parts. Please contact the Customer Service Department for pricing information.

Barrels and a number of other component parts must be fitted at the factory. Company policy is to proof-test and/or function fire all barrels after fitting to the receivers in which they are to be used. This procedure ensures maximum protection to our customers. The special proof-test ammunition used in this testing is sold only to bonafide firearms manufacturers and is not available to gun shops, gunsmiths, or individuals.

Because the receiver of the RUGER® RED LABEL SHOTGUN is defined as a "firearm" by Federal Law, it is not offered for sale as a separate component part.

*Parts designated by an asterisk must be factory fitted. These parts are fitted on an exchange basis only. We will not return the replaced parts. We will not return any part that is broken, malfunctioning, badly worn or has been modified. See "Warning – Parts Purchasers" above.

RUGER® RED LABEL SHOTGUN

PARTS LIST

Design, prices and specifications subject to change without notice.

SPECIFY MODEL AND CALIBER WHEN ORDERING

(See Exploded Views Pages 36 - 38)

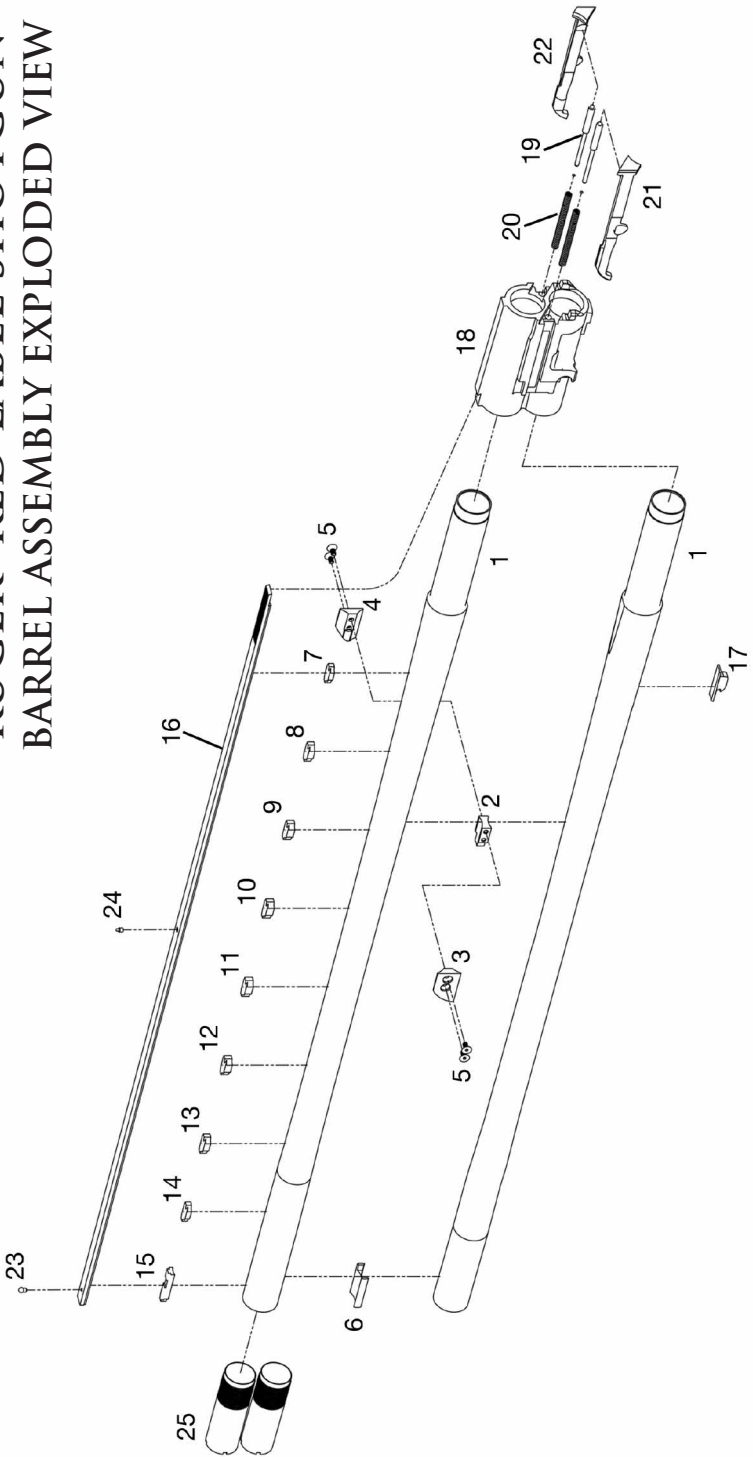
Key	Part Name	Part No.	Model
	Barrel Assembly – Includes Key Nos. 1 - 25 (See Exploded View p. 36)		
1	Barrel, 12 ga., 26"	OUG2-1021	OUG2
	Barrel, 12 ga., 28"	OUG2-1022	OUG2
	Barrel, 12 ga., 30"	OUG2-1023	OUG2
2	Rear Spacer Block	OUG2-1053	OUG2
3	Forend Filler Block, Left	OUG2-1077	OUG2
4	Forend Filler Block, Right	OUG2-1078	OUG2
5	Forend Filler Screws, 4 Req'd	OU-81-20	OUG2
6	Front Spacer, 12 ga., 26" & 28"	OUG2-1046	OUG2
	Front Spacer, 12 ga., 30"	OUG2-1047	OUG2
7	Barrel Rib Post #1	OUG2-1061	OUG2
8	Barrel Rib Post #2	OUG2-1062	OUG2
9	Barrel Rib Post #3	OUG2-1063	OUG2
10	Barrel Rib Post #4	OUG2-1064	OUG2
11	Barrel Rib Post #5	OUG2-1065	OUG2
	Barrel Rib Post #6, 26"	OUG2-1066	OUG2
	Barrel Rib Post #7, 26"	OUG2-1067	OUG2
12	Barrel Rib Post #8, 28" & 30"	OUG2-1068	OUG2
13	Barrel Rib Post #9, 28"	OUG2-1069	OUG2
14	Barrel Rib Post #10, 28"	OUG2-1070	OUG2
	Barrel Rib Post #11, 30"	OUG2-1071	OUG2
	Barrel Rib Post #12, 30"	OUG2-1072	OUG2
	Barrel Rib Post #13, 30"	OUG2-1073	OUG2
15	Front Barrel Rib Post, 12 ga., 26"	OUG2-1038	OUG2
	Front Barrel Rib Post, 12 ga., 28"	OUG2-1039	OUG2
	Front Barrel Rib Post, 12 ga., 30"	OUG2-1040	OUG2
16	Top Barrel Rib, 12 ga., 26"	OUG2-1031	OUG2
	Top Barrel Rib, 12 ga., 28"	OUG2-1032	OUG2
	Top Barrel Rib, 12 ga., 30"	OUG2-1033	OUG2
17	Forend Latch Hook	OUG2-1087	OUG2
18	Monoblock	OUG2-1090	OUG2
19	Ejector Spring Guide, 2 Req'd	OUG2-1089	OUG2
20	Ejector Spring, 2 Req'd	OU-30	OUG2
21	Ejector Cam, 12 ga., Left	OUG2-1092	OUG2
22	Ejector Cam, 12 ga., Right	OUG2-1094	OUG2
23	Front Sight Bead	OU-67	OUG2
24	Center Bead, 30"	OU06701	OUG2
25	Choke Inserts, 12 ga., Skeet	KOU08913	OUG2

Key	Part Name	Part No.	Model
Frame Assembly – Includes Key Nos. 26 - 63 (See Exploded View p. 37)			
† 26	Frame	KOUG2-2022	OUG2
27	Top Lever, 12 ga.	KOUG2-2018	OUG2
28	Trigger Sear - Plunger Housing	KOUG2-2024	OUG2
29	Trigger Sear - Plunger Housing Pin	KOUG2-2030	OUG2
30	Trigger Link	KOUG2-2020	OUG2
31	Trigger Link Pin	KOUG2-2029	OUG2
32	Inertia Weight Pivot Pin	KOUG2-2032	OUG2
33	Inertia Weight	KOUG2-2010	OUG2
34	Inertia Weight Spring Pin	KOUG2-2036	OUG2
35	Firing Pin, 2 Req'd	KOUG2-2014	OUG2
36	Locking Bolt Rocker	KOUG2-2008	OUG2
37	Hammer Pin	KOUG2-2033	OUG2
38	Cross Pin	KOUG2-2034	OUG2
39	Lower Hammer	KOUG2-2004	OUG2
40	Upper Hammer	KOUG2-2006	OUG2
41	Locking Bolt, 2 Req'd	OUG2-2012	OUG2
42	Spring Plunger, 3 Req'd	KOUG2-2025	OUG2
43	Trigger	OUG2-2002	OUG2
44	Trigger Pin	OUG2-2035	OUG2
45	Sear, 2 Req'd	OUG2-2011	OUG2
46	Spring Strut, 3 Req'd	KOUG2-2013	OUG2
47	Safety Selector	KOUG2-2016	OUG2
48	Cocking Rod, 2 Req'd	KOUG2-2023	OUG2
49	Top Lever Trip Plunger	OUG2-2026	OUG2
50	Trigger Guard	OUG2-2046	OUG2
51	Safety Selector Plunger	KOUG2-2048	OUG2
52	Safety Selector Toggle Pin	KOUG2-2031	OUG2
53	Safety Selector Toggle Roller	KOUG2-2027	OUG2
54	Trigger Guard Spring Pin	KOUG2-2037	OUG2
55	Trigger & Sear Plunger Spring, 3 Req'd	KOUG2-2041	OUG2
56	Inertia Weight Spring, 3 Req'd	KOUG2-2042	OUG2
57	Top Lever Spring	KOUG2-2043	OUG2
58	Safety Selector Spring Pin	KOUG2-2047	OUG2
59	Safety Selector Spring	KOUG2-2049	OUG2
60	Top Lever Trip Spring	KOUG2-2038	OUG2
61	Firing Pin Spring, 2 Req'd	KOUG2-2039	OUG2
62	Hammer Spring, 2 Req'd	OUG2-2044	OUG2
63	Top Lever Trip, 12 ga.	OU-71E-12	OUG2
Forend Assembly – Includes Key Nos. 64 - 78 (See Exploded View p. 37)			
64	Forend Iron Screw	KOU-48	OUG2
65	Ejector Sear, Right, 12 ga.	OUG2-4008	OUG2
66	Forend Latch Spring, 2 Req'd	OU-47	OUG2
67	Ejector Sear Plunger, 2 Req'd	OU-46	OUG2
68	Ejector Sear, Left, 12 ga.	OUG2-4006	OUG2
69	Forend Iron Head, 12 ga.	KOU-26-12	OUG2
70	Forend Iron	KOU-19	OUG2
71	Forend Latch Housing	KOU-19A	OUG2

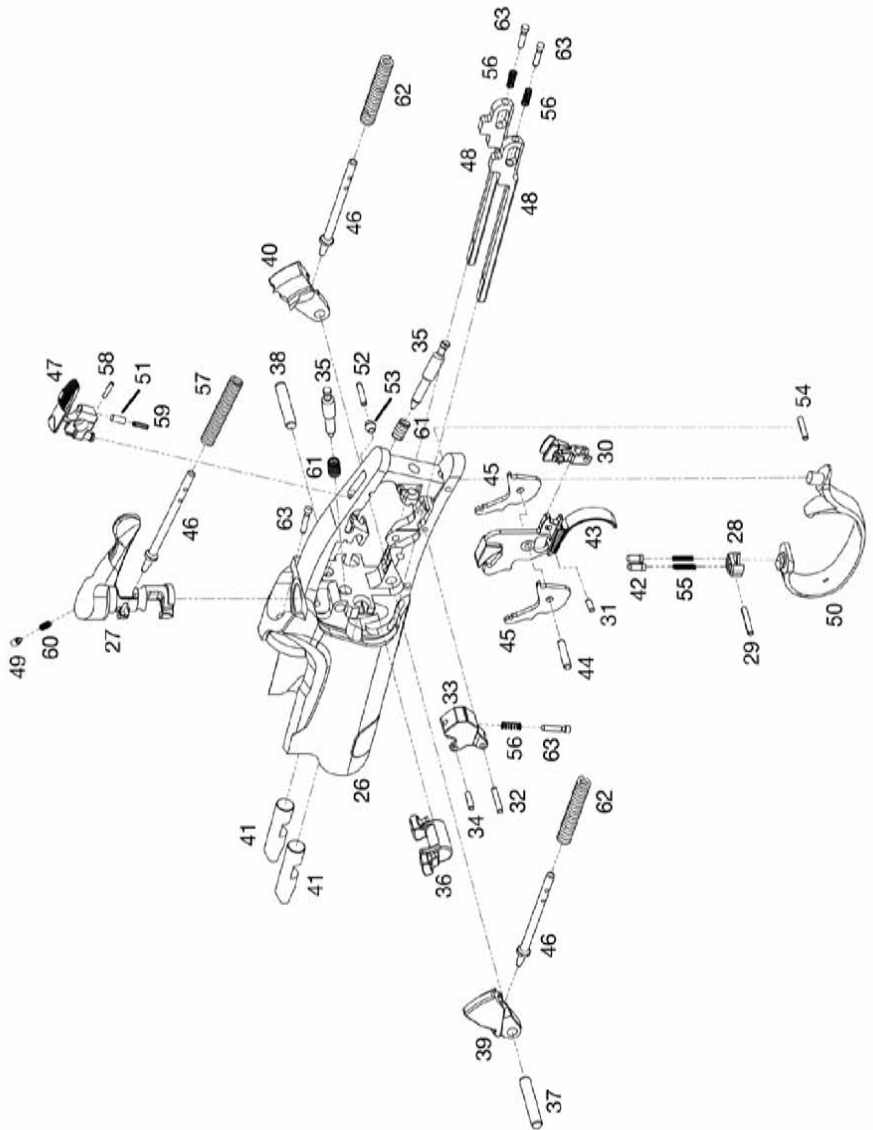
† The frame is a serial-numbered part and is not offered for sale.

Key	Part Name	Part No.	Model
72	Forend Latch Lever Pin	OU-40	OUG2
73	Forend Latch Lever	KOU-28	OUG2
74	Forend Latch Spring	OU-41	OUG2
75	Forend Latch Plunger	OU-74	OUG2
76	Forearm	OU00502M	OUG2
77	Forend Iron Escutcheon	OU-27	OUG2
78	Pistol Grip Medallion	S-61	OUG2
	Stock Assembly – Includes Key Nos. 79 - 87 (See Exploded View p. 38)		
79	Pistol Grip Cap Medallion	S-61	OUG2
80	Recoil Pad Screw	D-84	OUG2
81	Recoil Pad	OUG2-3004	OUG2
82	Stock Bolt	S-37	OUG2
83	Lock Washer	OU09101	OUG2
84	Stock Bolt Washer	S-38	OUG2
85	Pistol Grip Butt Stock, 12 ga.	OUG2-3001	OUG2
86	Pistol Grip Cap Screw	S-36	OUG2
87	Pistol Grip Cap	S-97	OUG2

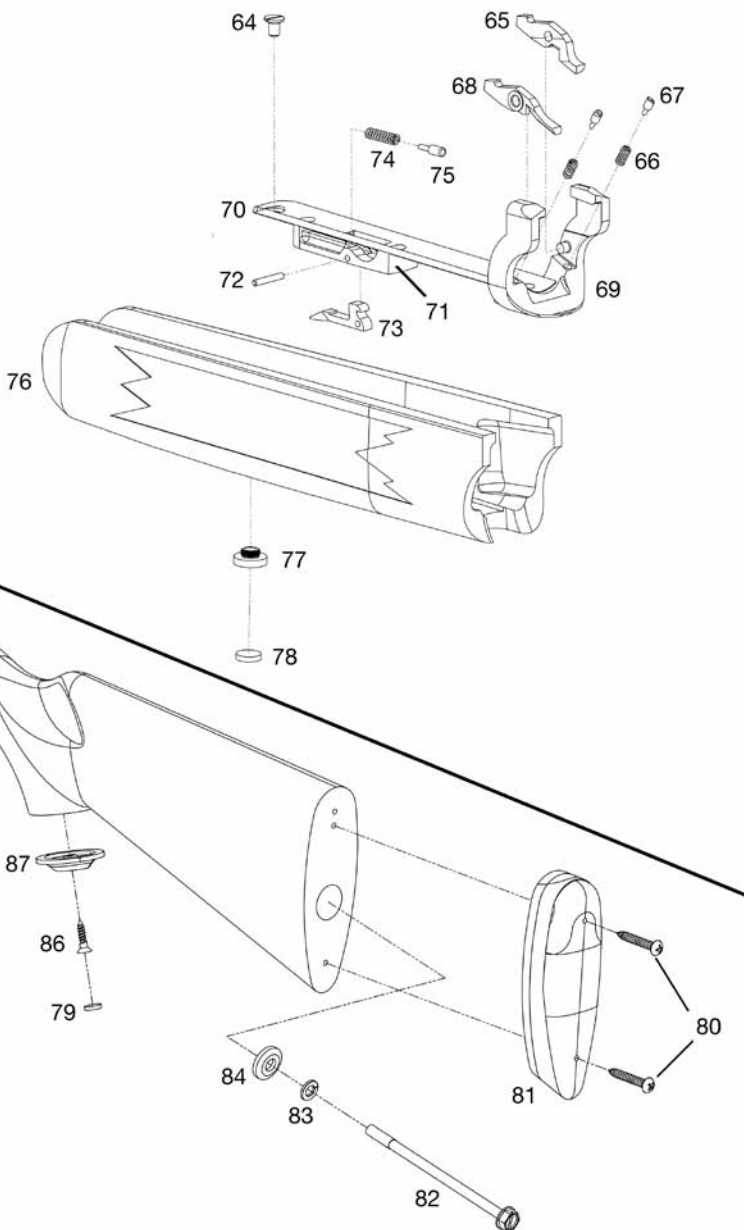
RUGER® RED LABEL SHOTGUN BARREL ASSEMBLY EXPLODED VIEW



RUGER® RED LABEL SHOTGUN FRAME ASSEMBLY EXPLODED VIEW



RUGER® RED LABEL SHOTGUN STOCK & FOREND ASSEMBLY EXPLODED VIEW



THE BASIC RULES OF SAFE FIREARMS HANDLING

We believe that Americans have a right to purchase and use firearms for lawful purposes. The private ownership of firearms in America is traditional, but that ownership imposes the responsibility on the gun owner to use his firearms in a way which will ensure his own safety and that of others. When firearms are used in a safe and responsible manner, they are a great source of pleasure and satisfaction, and represent a fundamental part of our personal liberty.

Firearms do not cause accidents! Firearms accidents are almost always found to have been the result of carelessness or ignorance on the part of the shooter of the basic rules of safe gun handling.

The following rules must be observed by gun users at all times. Safe gun handling is not just desirable, it is absolutely essential to your safety, the safety of others, and the continuation of gun ownership and sport shooting as we know it today.

1. LEARN THE MECHANICAL AND HANDLING CHARACTERISTICS OF THE FIREARM YOU ARE USING.

Not all firearms are the same. The method of carrying and handling firearms



varies in accordance with the mechanical provisions for avoiding accidental discharge and the various proper procedures for loading and unloading. No person should handle any firearm without first having thoroughly familiarized himself with the particular type of firearm he is using, and with safe gun handling in general.

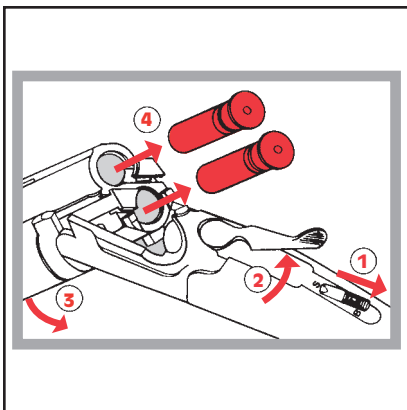
2. ALWAYS KEEP THE MUZZLE POINTED IN A SAFE DIRECTION.



Be sure of the bullet stop behind your target, even when dry-firing. Never let the muzzle of a firearm point at any part of your body or at another person. This is particularly important when loading or unloading a firearm. In the event of an accidental discharge, no injury can occur as long as the muzzle is pointing in a safe direction. A safe direction means a direction that will not permit a discharged bullet to strike a person, or to strike an object from which the bullet may ricochet.

A safe direction must take into account the fact that a bullet may penetrate a wall, ceiling, floor, window, etc., and strike a person or damage property. Make it a habit to know exactly where the muzzle of your gun is pointing whenever you handle it, and be sure that you are always in control of the direction in which the muzzle is pointing, even if you fall or stumble. Keep your finger off the trigger until you are ready to shoot.

3. FIREARMS SHOULD BE UNLOADED WHEN NOT IN USE.

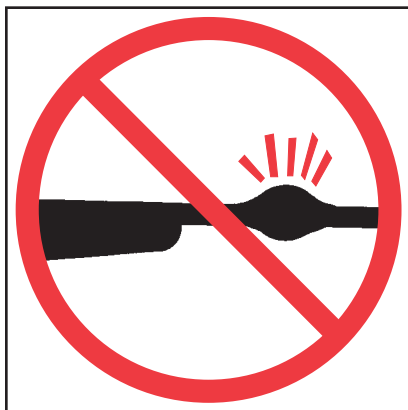


Firearms should be loaded only when you are in the field or on the target range or shooting area, ready to shoot. Firearms and ammunition should be securely locked in safes, racks or cabinets, or by using the locking device supplied with the firearm, when not in use. Ammunition should safely be stored separate from firearms. Store your firearms out of sight of visitors and children. It is the gun owner's responsibility to be certain that children and

persons unfamiliar with firearms cannot gain access to firearms, ammunition, or components.

4. BE SURE THE BARREL IS CLEAR OF OBSTRUCTIONS BEFORE SHOOTING.

Even a bit of mud, snow or excess lubricating oil or grease in the bore may cause the barrel to bulge, or even burst on firing, and can cause serious injury to the shooter and bystanders. Be sure that you are using ammunition of the proper caliber and loading for the gun you are using. If the report or recoil on firing seems weak, or doesn't seem quite right, **CEASE FIRING IMMEDIATELY**, unload your firearm, and check to be sure that no obstruction has become lodged in the barrel. Never try to shoot out an obstruction!





5. BE SURE OF YOUR TARGET BEFORE YOU SHOOT.

Don't shoot unless you know exactly where your bullet is going to strike. Be sure of the bullet stop behind your target, even when dry-firing with an unloaded gun. If you are in the field hunting, do not fire at a movement or noise. Take the time to be absolutely certain of your target before you pull the trigger.

6. WEAR SHOOTING GLASSES AND HEARING PROTECTORS WHEN YOU SHOOT.

All shooters should wear protective shooting glasses and adequate hearing protectors when shooting. Exposure to shooting noise can damage hearing, and adequate eye protection when shooting is essential.



7. NEVER CLIMB A TREE OR FENCE WITH A LOADED FIREARM.

Put the firearm down carefully before climbing a fence, and unload it before climbing or descending a tree or jumping over a ditch or other obstruction. Never pull or push a loaded firearm toward yourself or another person. When in doubt, or whenever you are about to do anything awkward, unload your gun!

8. DON'T SHOOT AT A HARD SURFACE OR AT WATER.

Bullets can glance off many surfaces like rocks or the surface of water and travel in unpredictable directions with considerable velocity.



9. NEVER TRANSPORT A LOADED FIREARM.

Firearms should always be unloaded before being placed in a vehicle. A suitable carrying case or scabbard should be used to carry an unloaded firearm to and from the shooting area.

10. AVOID ALCOHOLIC BEVERAGES WHEN SHOOTING.

Don't drink until the day's shooting is over. Handling firearms while under the influence of alcohol in any form, or medications that could affect your judgment or coordination, constitutes a criminal disregard for the safety of others.



A BRIEF ACCOUNT OF AN EXTRAORDINARY ACHIEVEMENT: RUGER FIREARMS

Sturm, Ruger & Company, Inc., had its beginning in a small machine shop occupying a rented frame building in Southport, Connecticut. In January, 1949, with an initial investment of only \$50,000 and an idea, William B. Ruger and Alexander M. Sturm started production of a .22 caliber autoloading pistol—a design which was so successful that it became the cornerstone upon which one of the most comprehensive lines of sporting firearms ever made in America was established. After Alex Sturm's death in 1951, William B. Ruger continued to direct the Company until his death in 2002. William B. Ruger, Jr. continued to provide guidance, which helped make this Company a sound and successful enterprise, until his retirement in 2006. The Company has continued to prosper, under new management and guidance from our Board, with new products and fresh perspectives.

Ruger, in this relatively short time, has established itself as a leading small arms design organization, developing a unique and broad line of fine quality sporting, military and police firearms to become one of the world's most famous producers of revolvers, pistols, rifles and shotguns. Since 1949, Ruger craftsmen have built many millions of firearms.

During its six decades of growth and progress under the leadership of William B. Ruger, the Company developed a business philosophy and implemented policies which represent a constructive influence in the life of modern America. From the beginning, Ruger played a positive role in conservation efforts and has supported the interests of shooters through such groups as the National Rifle Association, National Shooting Sports Foundation, and many regional sportsmen's organizations.

The Company has always endeavored to market its firearms for constructive and recreational purposes, to emphasize the traditional and responsible aspects of shooting, to render meaningful public services, and to encourage shooters in constructive, responsible, and safe participation in the shooting sports. Its motto, "Arms Makers For Responsible Citizens®," exemplifies this Company philosophy.

Today, Ruger is particularly mindful of those elements which have contributed to the creation of its success, and extends heartfelt thanks to its many loyal employees and customers.

The firearms catalog, and instruction manuals for all Ruger firearms, can be downloaded from our website at:

www.ruger.com

WHY NO WARRANTY CARD HAS BEEN PACKED WITH THIS NEW RUGER FIREARM

The Magnuson-Moss Act (Public Law 93-637) does not require any seller or manufacturer of a consumer product to give a written warranty. It does provide that if a written warranty is given, it must be designated as "limited" or as "full" and sets minimum standards for a "full" warranty. Sturm, Ruger & Company, Inc. has elected not to provide any written warranty, either "limited" or "full", rather than to attempt to comply with the provisions of the Magnuson-Moss Act and the regulations issued thereunder. There are certain implied warranties under state law with respect to sales of consumer goods. As the extent and interpretation of these implied warranties varies from state to state, you should refer to your state statutes. Sturm, Ruger & Company wishes to assure its customers of its continued interest in providing service to owners of Ruger firearms.



STURM, RUGER & COMPANY, INC.
411 SUNAPEE STREET
NEWPORT, NEW HAMPSHIRE 03773 U.S.A.
WWW.RUGER.COM

ARMS MAKERS FOR RESPONSIBLE CITIZENS®

**A COPY OF THE INSTRUCTION MANUAL FOR ANY RUGER
FIREARM IS AVAILABLE FROM THE FACTORY FREE ON REQUEST, OR IT MAY BE
DOWNLOADED FROM OUR WEBSITE AT WWW.RUGER.COM.
THESE INSTRUCTION MANUALS CONTAIN IMPORTANT
WARNINGS WHICH MUST BE UNDERSTOOD
BEFORE USING THESE FIREARMS.**

The Following are Sturm, Ruger & Co., Inc. Trademarks: "Bisley," "Gold Label," "LC380," "LC6," "LCR-357," "Mark II," "Mark III," "Model 96," "No. 1," "P345D," "P345PR," "P85," "P90," "P91," "P93," "P94," "P95," "P97," "Ruger American Rimfire," "Ruger Marksman Adjustable," "Ruger 77/50," "Ruger 10/17," "77/357," "SR-556C," "10/22-FS," "22 Charger," "22/45," and "22/45 RP."

The Following are Registered U.S. Trademarks Belonging to Sturm, Ruger & Co., Inc.: "RUGER," Sturm, Ruger Logo, "AC-556," "Arms Makers For Responsible Citizens," "All-Weather," "Bearcat," "Blackhawk," "BX-25," Eagle "R," Eagle "SR," "GP100," Hard "R" Logo, "Hawkeye," "LC9," "LCP," "LCR," "M77," "Mini Thirty," "Mini-14," "Old Army," "Power Bedding," "P345," "Redhawk," "Ruger American Rifle," "Ruger Hunting," "Ruger Hunting" Logo, "Ruger Inside & Out" phrase & logo design, "Ruger 77/17," "Ruger 77/22," "Ruger 77/44," "Ruger SP101," "Ruger 10/22 Takedown" phrase & logo design, "Ruger Titanium," "Ruger 22/45 Lite," "Ruger Vaquero," "Security-Six," "Service-Six," "Single-Nine," "Single-Six," "Single-Ten," "Speed-Six," the "SR" Design, "SR9," "SR9c," "SR40," "SR40c," "SR-22," "SR22," "SR-556," "SR-556E," "SR1911," "Super Redhawk Alaskan," "Target Grey," "10/22," and "10/22 Takedown."