



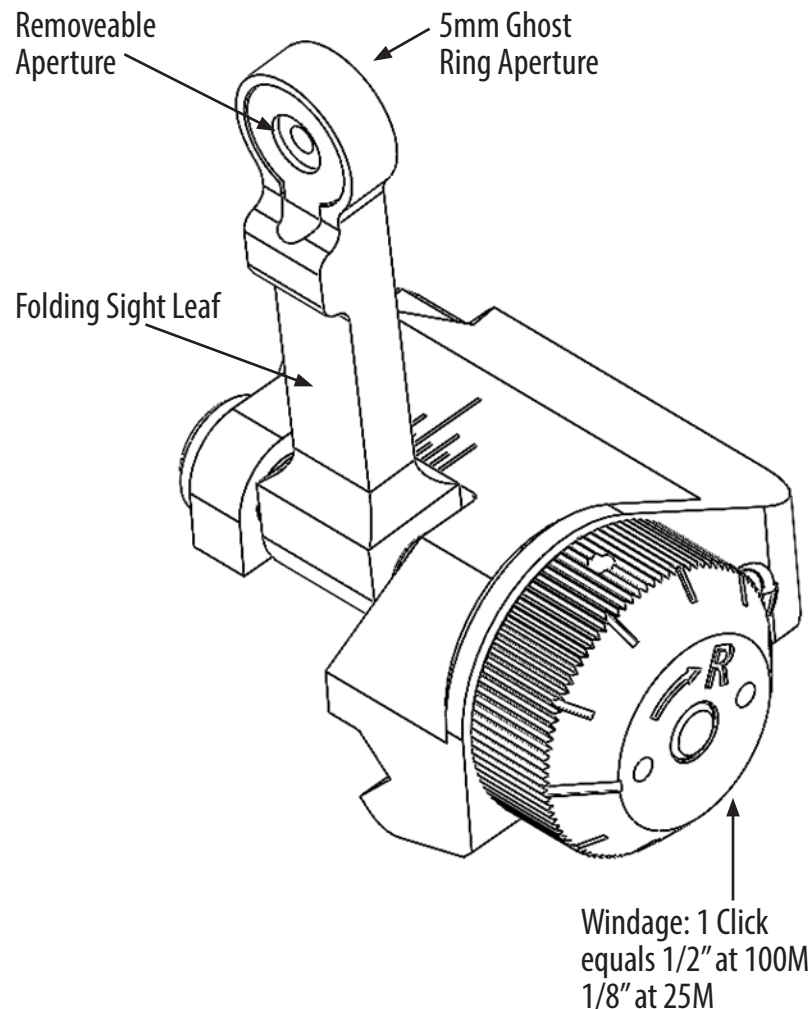
KAC
KNIGHTS ARMAMENT

INST - 00050

KAC PN: 97082

NSN:1005-01-449-6306

300-METER BACK-UP IRON SIGHT



BASIC INSTRUCTIONS

The Knight's Armament Company's BUIS is a Low Profile, FLip-Up/Fold-Down Rear Right designed for a Battle Sight Zero (BZO) of 300 Meters.

The sight should be mounted in the weapon's rearmost upper receiver groove with the windage knob to the right of the shooter. The BUIS is shipped with the removeable plastic aperture already installed. Elevation zero is adjusted with the weapon's front sight post, and windage zero is adjusted with the BUIS's windage knob.

If after 300M zeroing you wish to remove the small aperture to use the sight's large aperture for low light and close range, carefully remove it as follows:

1. Using a flat tool while holding the sight leaf steady, push the front edge of the aperture rearwards. **NOTE:** Never use a bullet point or other pointed object for this first step as this may break the aperture prongs. (After Step 1, the front edge should now be flush with the front surface of the sight leaf.)
2. Gently push the aperture rearwards to clear the sight leaf.
3. Save the aperture for future use when you need to shoot as longer ranges or with more precision.
4. Always re-install the aperture with its indexing tab at 6 o'clock in its notch in the sight leaf.



KAC

KNIGHTS ARMAMENT

phone (321) 607-9900
fax (321) 268-1498
701 Columbia Blvd., Titusville, FL 32780
www.KnightArmCo.com
CAGE Code: 1S002

ITAR
International Traffic in Arms Regulations

RESTRICTED EXPORT. The item(s) are firearm or defense related goods governed by U.S. Government International Traffic in Arms Regulations 22 CFR, ITAR Parts 120-130 and therefore require an Export License issued by the U.S. Department of State to be subsequently transported outside of the United States. These items may not be transferred, transshipped on a non-continuous voyage, or otherwise be disposed of in any other country, either in their original form or after being incorporated into other end items. The International Traffic in Arms Regulations (ITAR) is a set of United States government regulations that control the export of defense-related articles and services on the United States Munitions List. These regulations implement the provisions of the Arms Export Control Act, and are described in Title 22 (Foreign Relations), Chapter (Department of State), Sub chapter M of the Code of Federal Regulations.