



12 Gauge Semi-Automatic Shotgun Operation & Maintenance Manual

M12AR



JTS Group, Inc.
P.O. Box 12481
Rochester, NY 14612

Email: customerservice@jtsgroup.us
Web site: www.jtsgroup.us

! DO NOT SHIP ANY FIREARMS TO THE ABOVE ADDRESS !
Please refer to your warranty as to how to obtain a Return Authorization
Number and where to send firearms for warranty repair.

Operation & Maintenance Instructions

12auge Semi-Automatic Shotgun

Contents

1. Basic rules of safety operation-----	page01
2. Introduction to the Shotgun-----	page03
3. Operating Procedures-----	page04
4. Disassembling and Reassembling-----	page11
5. Firearm Cleaning and Maintenance-----	page18
6. Storage Requirements-----	page20
7. Exploded View of M12AR Shotgun-----	page21

1. Basic rules of safety operation

For your safety and the safety of others, this owner's manual contains important warnings and safety procedures, which must be understood BEFORE using this firearm. Read the entire manual, and if you do not understand any part of it or the operation of your firearm, stop and seek professional firearm instruction.

Record the serial number of your firearm: _____
Record the model number of your firearm: _____

Keep this manual, with the model and serial numbers noted, and proof of purchase for safekeeping. Proof of purchase is necessary for warranty repair.

WARNING
Always keep the muzzle pointed in a safe direction

This is the most important firearm safety rule. A safe direction is one in which an accidental discharge will not cause injury to yourself or others. Never point your firearm at anything you do not intend to shoot. This is particularly important when loading or unloading a firearm. Treat every firearm as if it were loaded at all times.

WARNING
Firearms should be unloaded when not actually in use

Firearms should only be loaded when you are in the field or on the target range or shooting area, ready to shoot. When not in use, firearms and ammunition should be secured in a safe place, separate from each other. Remember to unload your firearm completely so there is no ammunition in the chamber or magazine. Before handling this or any firearm, or handling it to someone else, visually check the chamber and magazine to ensure they do not contain ammunition. Always keep the firearm's action open when not in use. Never assume a firearm is unloaded.

Warning! Never cross a fence, climb a tree, wade through a stream or perform any awkward movement with a loaded firearm. When in doubt, unload your firearm!

Warning! Never pull or push a loaded firearm toward yourself or another person.

Warning! Never carry a loaded firearm in a holster or firearm case.

WARNING
Never touch trigger until ready to fire

Treat every firearm as though it could fire at any time. The "safety" on a firearm is a mechanical device. Never assume the firearm won't fire just because "the safety is on". Never touch the firearm's trigger until you are ready to shoot. Keep your fingers away from the trigger when loading or unloading. Never pull the trigger when the safety is engaged or when the safety is positioned between the "SAFE" and "FIRE" position. Never place your finger on the trigger unless you intend to fire.

Warning! Never touch trigger before firing.

WARNING
Be sure of your target and what is beyond it!

Once fired, a bullet can never be called back, so before you shoot, know where the bullet is going and what it will strike. Be certain your shot will not injure someone or strike something beyond the target. Never fire in the direction of noise, a movement or at any object you cannot positively identify. Be aware that shotgun bullets can travel 500 yards and a shotgun slug has a range of over a half mile. Keep in mind how far the bullet will travel if it misses your intended target. Once fired, you are responsible for your action and judgment.

WARNING
Use the correct ammunition

Every firearm is designed to use a certain caliber or gauge of ammunition. It is important that you use the correct ammunition for your firearm. Information on the correct ammunition to use with your firearm appears in the firearm's instruction manual and the manufacturer's markings on the firearm itself. Use of the wrong ammunition, improperly reloaded ammunition or corroded ammunition can result in the destruction of the firearm, serious personal injury and/or death. Form the habit of examining every round of ammunition before you put it into your firearm to ensure it is of the proper gauge or caliber and that it is in good condition.

WARNING
If your firearm fails to fire when the trigger is pulled, handle with care

If a cartridge or shell does not fire when the trigger is pulled, keep the firearm's muzzle pointed in a safe direction. Wait at least 30 seconds before carefully opening the action, unloading the firearm and safely disposing of the ammunition.

WARNING
Always wear eye and ear protection when shooting

Exposure to shooting noise can permanently damage hearing. Flying debris, such as powder residue and ejected cartridge cases can injure your eyes. Thus it is only common sense to wear both eye protection and ear protection whenever shooting. Also wear eye protection when cleaning or disassembling your firearm to ensure that cleaning solvent and tensioned parts do not come into contact with your eyes.

WARNING
Be sure the barrel is clear of obstructions before shooting

Discharging a firearm with an obstruction in the barrel can result in personal injury, property damage and/or death. Before you load your firearm, check the chamber and magazine to ascertain no ammunition is inside. Even a small amount of mud, snow or excess lubricating oil or grease in the bore can cause excessive pressures resulting in a bulged or burst barrel which can injure or kill the shooter and bystanders. It's recommended to make a habit of cleaning the bore and checking for obstructions with a cleaning rod before each shooting session. If the noise or recoil experienced upon firing seems low or weak, or something doesn't feel "right", cease firing immediately, and check to make sure there are no obstructions in the barrel. Placing an undersized shell or cartridge into a firearm can result in the smaller round of ammunition falling into the barrel and acting as an obstruction. When a round is subsequently fired, the barrel may burst, causing injury to the shooter and bystanders.

WARNING
Do not alter or modify your firearm and have it serviced regularly

Firearms are complex mechanisms that are designed to function properly in their original condition. Any alterations or changes made to a firearm after its manufacture can make the gun unsafe and will void its warranty. Do not jeopardize your safety or the safety of others by altering the trigger, mechanical safety or other mechanisms of your firearm. You should have your firearm periodically checked for proper functioning and serviced by a qualified gunsmith.

WARNING
Learn the mechanical and operating characteristics of your firearm

Not all firearms operate the same way. The method of carrying, handling and operating firearms varies with the mechanical characteristics of each firearm. Thus you should never handle any firearm until you become familiar with the safe handling, loading, unloading and carrying procedures for that particular firearm, as well as the rules for safe gun handling in general. Discharging firearms in poorly ventilated areas, cleaning firearms or handling ammunition may result in exposure to lead and other substances known to cause birth defects, reproductive harm and other serious injuries. Adequate ventilation is recommended at all times when shooting. Wash hands thoroughly after exposure.

WARNING
Do not use alcohol or drugs when shooting

Keep sober when shooting! Don't operate firearms after drinking alcohol or using drugs. You cannot operate your firearm safely. Don't do anything to affect your judgment and compatibility.

2. Introduction to the Shotgun

2.1. Use of the shotgun

This 12 gauge semi-automatic shotgun is a great tool for shooting and hunting enthusiasts and also a great collectable firearm.

This firearm is compatible with Remington chokes (Rem Choke).

2.2. Operation principle and characteristics

This shotgun employs the automatic principle of gas operation and the bolt rotation for locking and unlocking. On firing, the powder gas from the gas port impacts on the piston, pushing the bolt to unlock the locking body and the bolt head to recoil, and then the bolt goes forward under the action of the counter-recoil spring, completing the automatic cycle.

It is a semi-automatic gun, where one cartridge is fed and then fired by pulling the trigger, the case extraction and ejection are completed by the bolt and the next cartridge is automatically loaded into the chamber under the action of the powder gas.

2.3 Structure

2.3.1. The shotgun profile



Fig. 1 Shotgun Profile

2.3.2. Major components of the shotgun

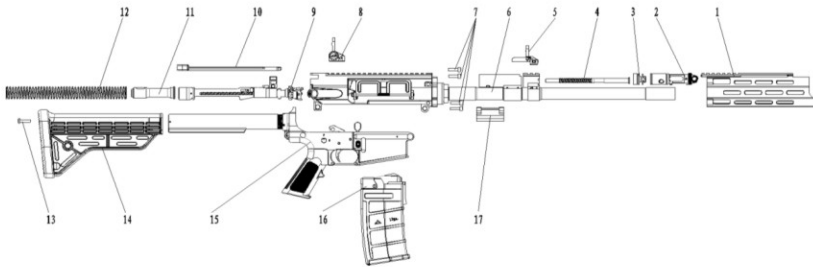


Fig. 2 Exploded View of Shotgun

1. Picatinny rail	7. Screw	13. Stock screw
2. Regulator	8. Rear sight assembly	14. Stock
3. Piston	9. Bolt	15. Lower receiver
4. Piston rod and spring	10. Bolt lever	16. Magazine
5. Front sight assembly	11. Buffer	17. Picatinny rail pad
6. Barrel	12. Return spring	

2.4. Main data

Barrel length: 18.5" (475mm)

Cartridges used: 12 gauge ball cartridges 2-3/4" and 3".

Length of whole gun: 38" (965mm)

Firing mode: Single shots

Weight of whole shotgun (with one empty magazine): 8.7 lbs (3.95 Kgs)

Aiming means: mechanical sight (with optical sight connector)

Feeding device: Magazine of 5 rounds

3. Operating Procedures

3.1. Check safety before use

Hold the magazine middle and press the magazine holder to remove the magazine downward, pull the bolt backward and check if there is any cartridge inside the chamber. Caution: At the end of firing, take off the magazine and pull the bolt backward to remove the cartridge from the chamber.

Warning! Do not touch the trigger before firing.

Warning! Do not point the gun at any non-target objects.

3.2. Cartridge loading

3.2.1. Rotate the safety setter to the safe position.

3.2.2. Press the magazine lock from the left or right side of the gun and remove the magazine downward when it is unlocked (See Figs. 3 and 4).

3.2.3. Load one cartridge of the right specifications into the magazine.

3.2.4. Press the cartridge downward to enter one compartment and push it to the magazine back wall until it is held reliably by the holder.

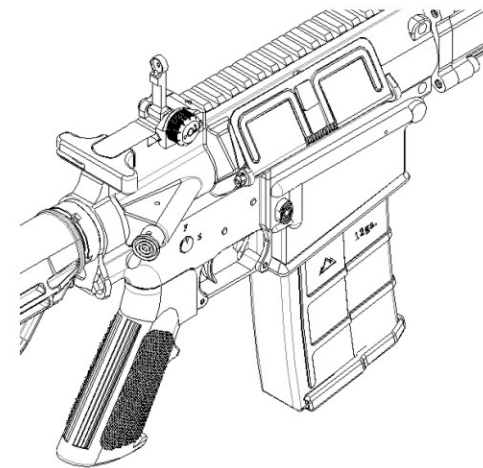


Fig. 3 Removing the magazine by pressing the right hand lock



Fig. 4 Removing the magazine by pressing the left hand lock

3.2.5. Load next cartridge in the same way until the magazine is full.

Warning! Prior to loading make sure that the cartridge is of the right specifications, clean and free of damage. The firearm manufacturer and dealer are not responsible for use of any reproduced, retrofitted or self-made cartridges. Using the latest up-to-standard cartridges is beneficial to the firearm. Use of nonstandard or low quality cartridges may cause property damage or casualty during fire.

Warning! In order to minimize the risk of causing property damage and casualties, load cartridges when everything else is ready for shooting.

3.3. Aim

3.3.1 The mechanical sighting device shown in this manual comprises a rear aperture sight that can be moved left and right and a front sight that can be moved up and down. To take aim, simply bring the aperture center, front sight tip and the point of aim (target) into alignment.

3.3.2 When calibrating the sights from the distance of **38 Yard**, follow the procedures given in Table 1. When calibrating the sights from other distances, changes should be made to the recommendations in the table accordingly.

Table 1 Sight adjustment

Sight	Adjustment	Direction of Front/rear Sight Movement	Distance of Front/rear Sight Movement(inch)	Distance of Point of Impact Relative to Point of Aim (inch)
Rear sight	One clockwise turn of dial	Rear sight moves rightward	→0.03	→2.95
	One counterclockwise turn of dial	Rear sight moving leftward	←0.03	←2.95
	Moving rear sight base forward by one Picatinny slot	Rear sight moves forward	0.39 forward	↑0.12
	Moving rear sight base rearward by one Picatinny slot	Rear sight moves rear ward	0.39 rearward	↓0.12
Front sight	One clockwise turn	Front sight lowers	↓0.03	↑2.76
	One counterclockwise turn	Front sight rises	↑0.03	↓2.76
	1/4 clockwise turn	Front sight lowers	↓0.007	↑0.69
	1/4 counterclockwise turn	Front sight rises	↑0.007	0.69

3.4. Firing

3.4.1. Preparation before firing

Warning! Before shooting, make sure there is no dirt or other obstacles in the barrel.

Warning! Keep fingers away from the trigger when loading the magazine.

Warning! Point the muzzle to a safe direction.

Warning! There are two positions (the single shot position and the safe position) of the safety setter. When the safety setter points to "S", the gun is in the "safe" state. The shotgun is in the firing state when the safety setter points to "F" (see Fig. 5). If the safety setter is not pointing to the "safe" position, pulling the trigger will fire the cartridge. Keep aware of the "Safe" and "Fire" positions of the safety setter to avoid serious casualties or property losses.

The safety setter in the safe position: The safety setter points to "S" = safe position shown on the receiver (see Fig. 5).

The safety setter in the firing position: The safety setter points to "F" = firing position shown on the receiver (see Fig. 6).

3.4.1.1. Set the safety setter in the "S" position;

3.4.1.2. Turn the regulator dial to a gas setting position based on recommendations made in Section 3.6 table 2.

3.4.1.3. Cartridge loading shall be carried out as stated herein.

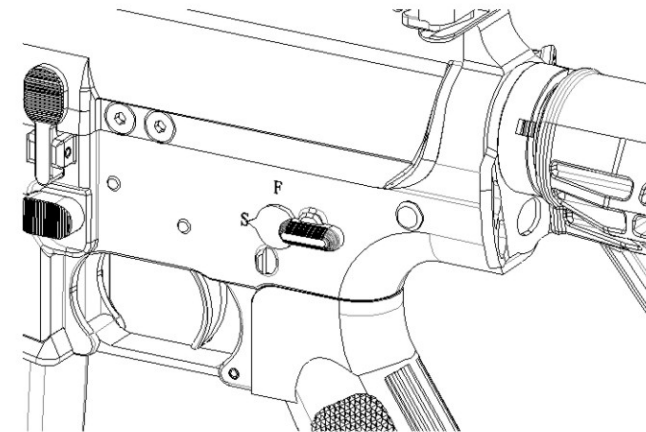


Fig. 5 Safe position

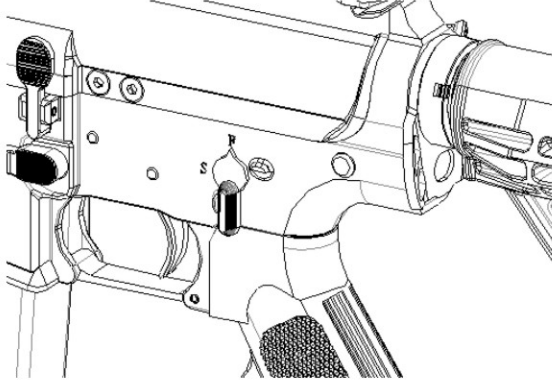


Fig. 6 Fire position

3.4.1.4 Insert the loaded magazine through the slot in the receiver to fit the notch in the magazine with the lug on the receiver with a click heard to indicate the magazine is fitted into position. When putting in the magazine, keep the muzzle pointed in a safe direction and keep your fingers away from the trigger and thereafter gently move the magazine up and down to make sure it is locked firmly in place.

3.4.1.5 With the muzzle pointed in a safety direction and your fingers away from the trigger, turn the safety crank to the "F" position.

3.4.1.6 Pull the bolt to the rearmost position and then release it and the bolt moves quickly forward under the action of spring force and meanwhile chambers a cartridge, getting ready for firing.

3.4.1.7. Set the safety setter to the "S" (safe) position.

Warning! Now the shotgun chamber is loaded with a cartridge and the hammer is in the cocked position. Be careful with operation.

Warning! Now the shotgun chamber is loaded with a cartridge and the firearm will fire if the safety setter is set to the "F" (fire) position and the trigger is pulled. Please be extremely careful and point the muzzle towards a safe direction.

3.4.2. Shooting

3.4.2.1. Bear in mind the fundamental rules of safely operating the firearm.

3.4.2.2. Set the safety setter to the "F" position.

3.4.2.3. Adjust the sights and aim at the target.

3.4.2.4. Put the index finger on the trigger inside the trigger guard.

3.4.2.5. Pull the trigger to fire the first cartridge.

3.4.2.6. After firing the first round the spent shell will eject from the firearm. Make sure there is nobody in the case ejecting direction to avoid injury caused by the ejected case.

Warning! If the trigger is pulled again, the shotgun will fire again! Keep the muzzle pointed toward a safe direction.

3.4.2.7. At the end of firing, set the safety setter to the "S" (safe) position.

3.4.2.8. Remove the magazine and check if there are any cartridges left inside. If there are any cartridges in the magazine, remove them by pushing down and forward on the cartridges.

3.4.2.9. Set the safety setter to the "F" position, pull the bolt to the rearmost position and visually check to make sure that there is no cartridge in the chamber. Release the bolt, point the firearm to a safe direction, pull the trigger to fire once and set the safety setter to the "S" position.

3.4.2.10. Store the shotgun and ammo separately in a place inaccessible to children and unauthorized persons.

Warning! After use and before cleaning and storing, remove the cartridge from the chamber to minimize the risk of misfire.

Warning! If there is a cartridge in the chamber, the firearm will still fire when the trigger is pulled even if the magazine has been removed.

Warning! When dropped onto the ground, any firearm with a cartridge in its chamber and with the safety setter set to the "F" position may fire.

Warning! If the shotgun fails to fire, it should be kept toward the target for at least 30 seconds to wait for hang fire. If the cartridge is not fired yet, remove the magazine and take out the failed round.

3.5. Check for remaining cartridge

Warning! Point the muzzle toward a safe direction

3.5.1. Set the safety setter to the "S" position.

3.5.2. Press the magazine holder to remove the magazine.

3.5.3. Set the safety setter to the "F" position. Pull the bolt to the rearmost position, check to make sure there are no cartridges inside the chamber. Prompt: If there is a cartridge therein, that action will drag it out.

3.5.4. Unload the remaining cartridges from the magazine.

3.5.5. Set the safety setter to the "S" position.

Caution: When storing the shotgun, set the safety setter to the "S" position and the hammer in the fired position. Place the magazine, cartridges and the shotgun separately.

3.6. Use of the regulator

3.6.1. The numbers "1", "2", "3" and "0" on the regulator are the gas port settings. The number "1" setting is the smallest gas port, number "3" is the biggest, and number "0" is the manual (or single shot) position

3.6.2 Gas Port Setting Recommendation

Table 2: Suggested Gas Port Settings

Suggested Gas Port Settings	Ammunition
0	Manual (Single Shot)
1	3" Shells
2	2-3/4" Shells Velocity 1350—1600 FPS Load \geq 1-1/8 Oz
3	2-3/4" Shells Velocity 1250-1450 FPS Load \geq 1 Oz

• Please note that these are suggested settings. The optimal setting may vary based on the brand and quality of ammunition.

• Setting example: If you are shooting 1 ½ oz shells with stated velocity of 1400 fps, start with gas setting #2. However, if performance is not optimal, change to setting #3 to see which setting works best for your ammunition.

• If shooting shells with energy lower than 1250 fps, the shotgun may not cycle properly. Therefore, when shooting low energy ammunition, we suggest trying setting "3". If the gun does not cycle properly, use gas setting "0".

Caution: Make sure the regulator is kept clean and the ports unobstructed. Otherwise there may be insufficient energy coming from the regulator to properly eject the shells.

Warning: As long as recoil energy is enough for the shotgun to function reliably, a smaller gas port should be used as much as possible. Otherwise, the shotgun life may be affected.

Warning: Feeding or case ejecting trouble may occur when a smaller gas port or a lower chamber pressure cartridge is used. In this case, remove the magazine, pull the bolt, check to see if there is a cartridge in the chamber and if so, remove the cartridge with a cleaning rod. Then adjust the regulator to a larger gas port or use the cartridge of right specifications designated for this shotgun for firing.

Warning: Failure to follow these instructions may cause damage to the gun or jeopardize personal safety.

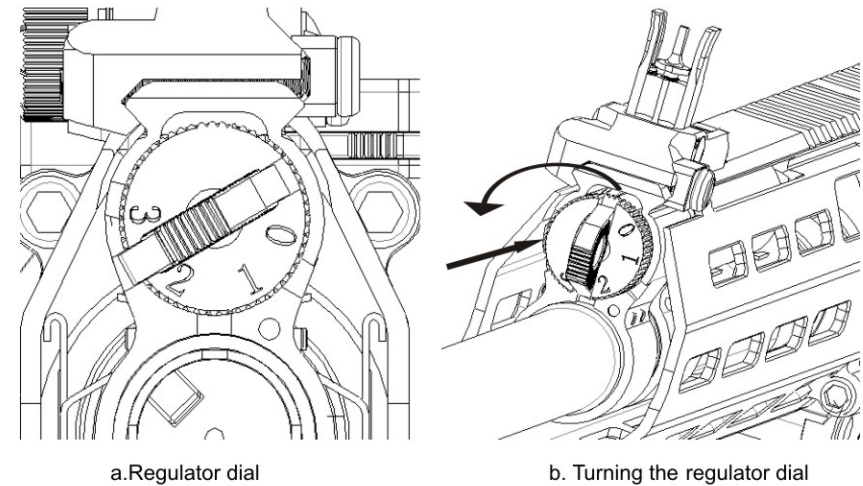


Fig. 7 Use of the regulator

4. Disassembling and Reassembling

- A. Before disassembling, check to ensure there is not a cartridge inside the chamber. If there is, remove with a cleaning rod.
- B. Operation should be performed as specified, without hard knocking or violent stripping.
- C. Disassembled parts should be placed in sequence on a clean surface.
- D. No parts other than those specified herein shall be disassembled.
- E. Parts should be cleaned and oiled before reassembling.
- F. After reassembly, all the mechanisms of the shotgun should function flexibly and reliably.
- G. The reassembled shotgun should be set to the safe position after verification.

4.1. Disassembling procedures

Warning! Disassembling the shotgun other than as described below may cause damage to the gun.

Warning! Wear eye protection, such as shooting glasses or goggles, to prevent injury to eyes by springing components, such as springs during disassembly.

Warning! Prior to breaking down the shotgun, follow the steps described above and check to make sure that there is no cartridge in the chamber.

4.1.1. Check the safety

4.1.1.1 While holding the stock in your left hand and the magazine in your right hand, push the magazine lock hard with your right thumb and pull it downward to remove it (See Fig. 3).

4.1.1.2 After removing the magazine, pull the bolt rearward and check the chamber to see if there is a cartridge in it (Fig. 8).

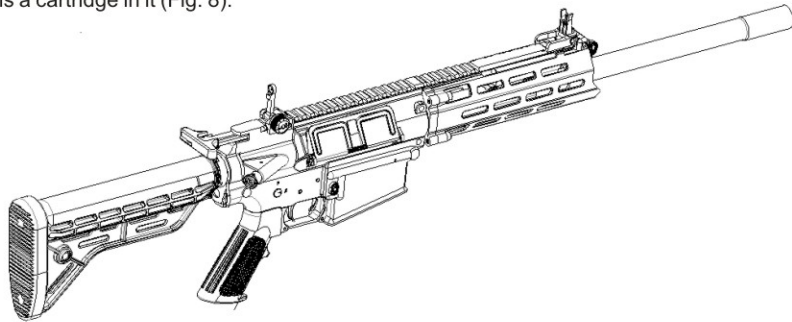


Fig. 8 Pulling the bolt rearward to check the chamber for cartridge

4.1.2. Disassemble the shotgun

a. Removing the gun mount

Note: Before removing the barrel, make sure the receiver is locked in the ready-to-fire position. If the receiver is not in position, disconnecting the barrel from the lower receiver would be impossible!

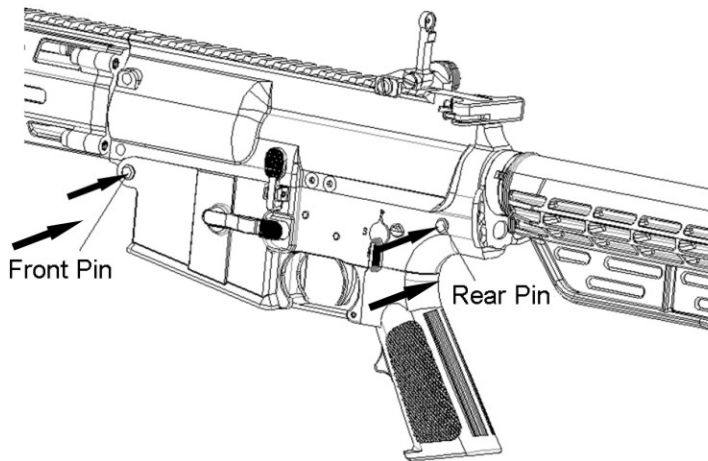


Fig. 9 Removing the rear and front pins

Press the rear pin and front pin until they slightly sink into or flush with the side surface of the lower receiver and then pull them out from the other side to disconnect the upper receiver. The barrel can now be removed.

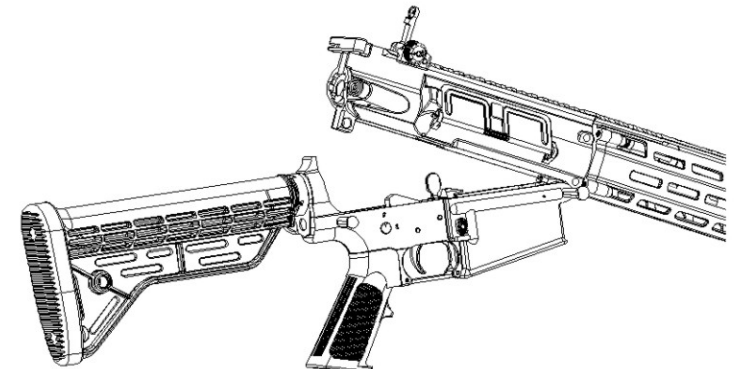


Fig. 10 Removing the gun mount

b. Removing the bolt Pull the bolt handle lock downward to disengage it from the upper receiver and pull the bolt handle rearward until the bolt is brought out.

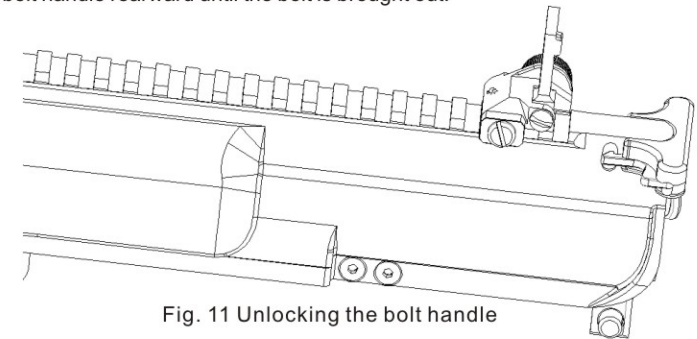


Fig. 11 Unlocking the bolt handle

Note: While the bolt moves with the bolt handle being pulled rearward, the dust cover will spring open.

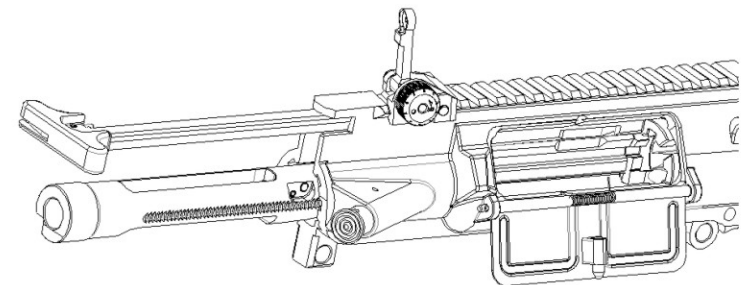


Fig. 12 Pulling the bolt handle to cause the dust cover to spring open

c. Removing the bolt handle

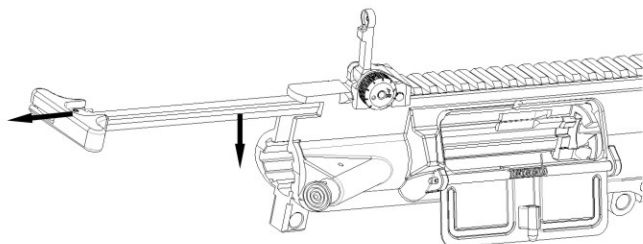


Fig. 13 Removing the bolt handle

Pull the bolt handle to the rearmost position, disconnected it from the upper receiver downward and remove it.

d. Removing the regulator

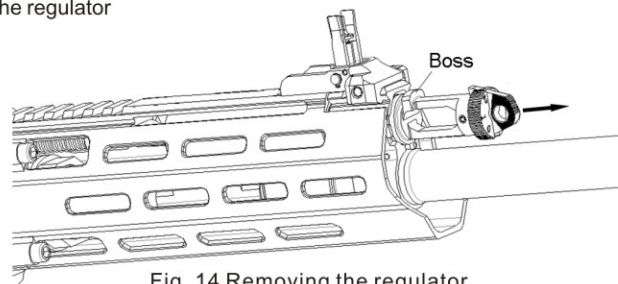


Fig. 14 Removing the regulator

Turn the regulator handle to the boss in alignment with the front sight slot and pull out the regulator.

e. Removing the piston, piston rod and spring

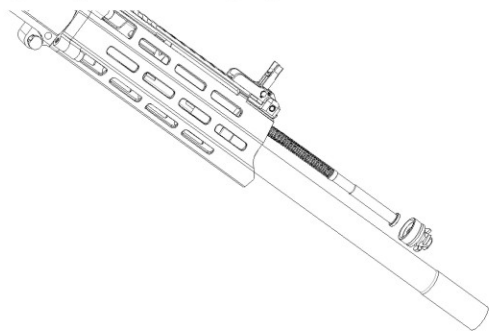


Fig. 15 Removing the piston, piston rod and spring

After removing the regulator, turn the gun mount upside down and remove the piston, piston rod and spring from it.

f. Removing the rear sight and front sight

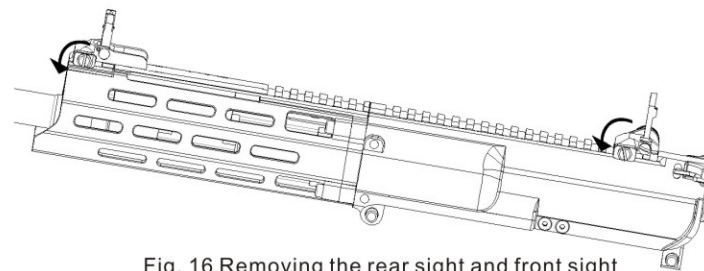


Fig. 16 Removing the rear sight and front sight

Loosen the fastener screw clockwise until the rear sight and front sight disconnect from the Picatinny rail and remove them.

g. Remove the Picatinny rail

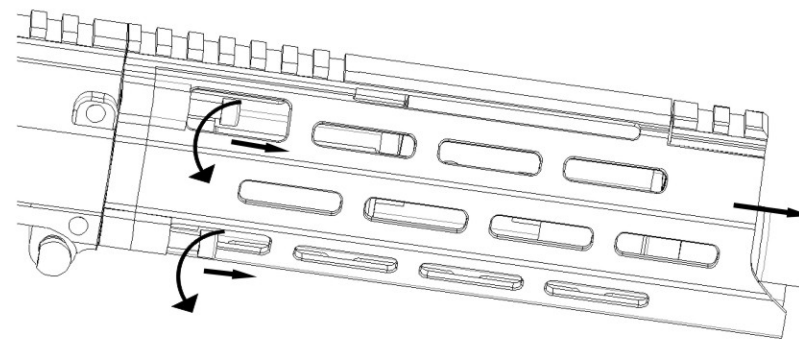


Fig. 17 Removing the Picatinny rail

Loosen the four screws fastening the Picatinny rail with an Allen key and pull it forward to remove from the gun mount.

h. Removing the buffer and return spring

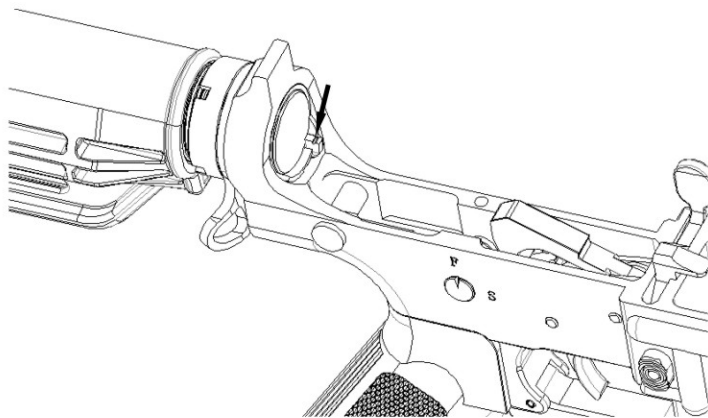


Fig. 18 Pressing the buffer pin

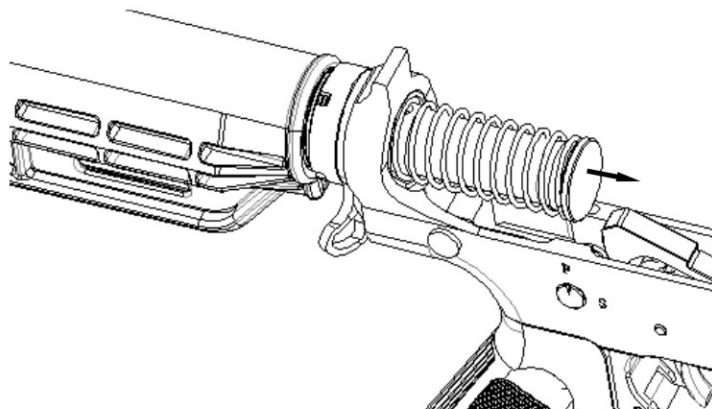


Fig. 19 Removing the buffer and return spring

Press the buffer pin and, when the buffer props up under the action of spring force, remove the buffer and return spring.

Warning! Hold down the buffer and slowly remove it to prevent it from spring out to injure yourself or other people.

I. Removing the bolt

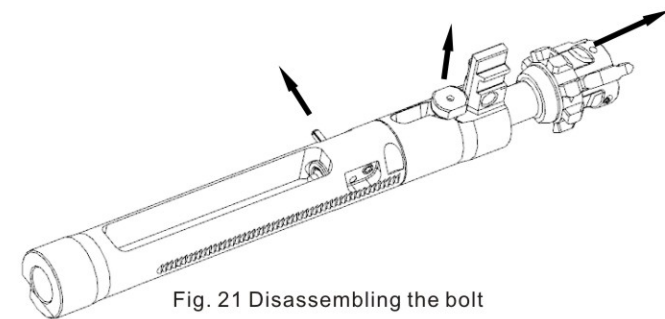
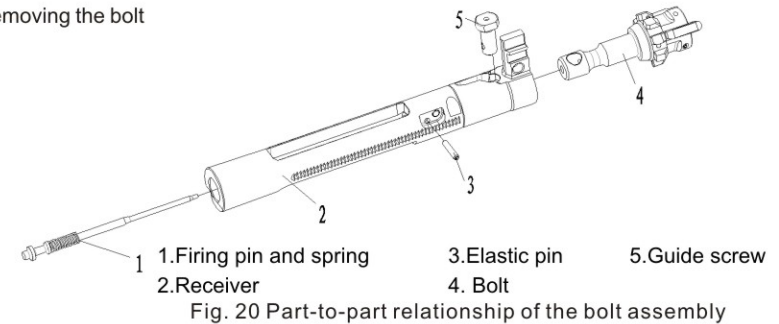


Fig. 21 Disassembling the bolt

With the split pin taken out using a punch, hold the receiver and let out the firing pin and spring rearward and take out the guide screw upward.

4.2. Reassembling procedures

Reassembly should be carried out in the reverse order of disassembly. After reassembly, check all mechanisms for smooth and reliable function and, pull the trigger to set the hammer in the fired position with its spring free of tension.

Warning! Disassembling the striker system is not recommended. When reassembling it after disassembling, visually check the locating wire to make sure it gets into the circular groove in the corresponding spindle (as shown in Fig. 18) and press the located spindle either by hand or with a tool to make sure it is not loose. Otherwise firing trouble may occur to cause damage to the gun or result in personal injury.

Warning! Generally, disassembling the bolt is not recommended. If it has to be disassembled in order to clear the firing pin hole of powder residue and clean the bolt head, special care should be taken when reassembling it to make sure the firing pin is correctly directed and pin and spring are correctly positioned (See Fig. 19). Otherwise early firing may occur due to the failure of the firing pin to work freely or failure to put in the firing pin spring, which may cause mechanical damage to the gun or result in personal injury.

Caution: On reassembling, set the safety setter to the "F" position.

5. Firearm Cleaning and Maintenance

5.1. Cleaning the Shotgun

Read through the cleaning instructions and use high-quality cleaning kit to clean the firearm.

Warning! Before beginning the cleaning process, check to ensure the shotgun is unloaded. (See Section 3.5)

We recommend cleaning the gun prior to first use. A gun should be cleaned after firing. In addition, external parts should be wiped with an oiled cloth after handling. If a gun is used frequently, it must be cleaned after each firing and regularly serviced by a professional gunsmith. If the gun has been stored, remove all excess oil and/or grease before firing. Always check to be sure that no cleaning patch or other obstruction remains in the bore or chambers before firing.

If there is powder residue in the gun, it may result in the gun not operating optimally unless it is properly cleaned and maintained. The regulator holes, piston, bolt carrier group and barrel bore must be properly cleaned, wiped and lubricated.

1. Obtain a quality shotgun cleaning kit and thoroughly review the manufacturer's instructions.
2. Follow the shotgun disassembly procedures. (See Section 4)
3. To clean the barrel, select the correct caliber cleaning brush and attach it to a cleaning rod.
4. Dampen the brush with gun cleaning solvent and push the brush through the barrel several times.
5. Remove the brush and attach a correctly sized cloth cleaning patch to the cleaning rod and push it through the barrel several times to remove loosened fouling.
6. Repeat this process with the brush and cleaning patches until a final patch comes out clean after swabbing the bore. Lightly oil the bore.
7. Remove shooting residue from the shotgun's action parts and outer surfaces by wiping them with a soft cloth dabbed in gun cleaning solvent. Then be sure to remove all excess solvent and dry them.
8. The regulator holes, piston, and barrel bore must be properly cleaned, wiped and lubricated.
9. Finally, wipe down all outer surfaces with a soft cloth dipped in a good quality gun oil.

Warning! Handling ammunition and cleaning the gun may cause spread of lead or other substances, presenting threat to health. Wash hands and face after shooting and cleaning.

Warning! Regularly have the gun checked by an authorized firearm professional for worn out or damaged parts to ensure its safety and service life.

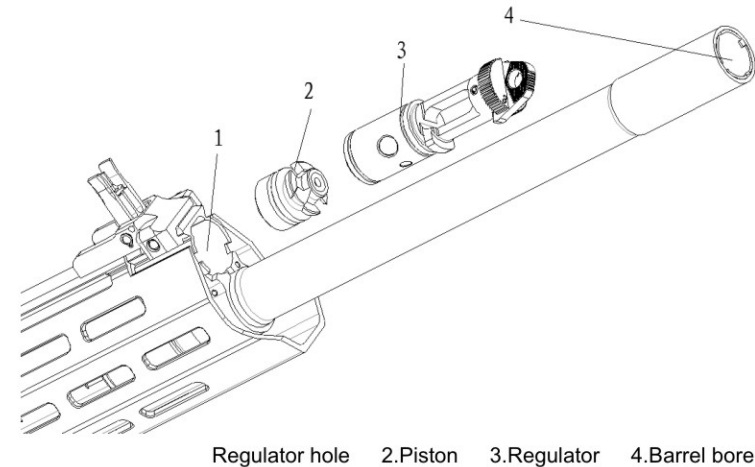
Warning! In cleaning the gun, eye protector, such as shooting glasses or goggles should be worn to avoid potential injuries caused by detergent, lubricants and elastic components like springs.

Warning! Excessive use of detergent or lube oil will be counterproductive. Prior to shooting, wipe the barrel bore with dry cloth to ensure that there is no foreign object therein.

Warning! Some detergents may produce harmful gases. Read and follow the warning instructions on the package by the detergent manufacturer.

Warning! Some parts may be with sharp edges. It is recommended to wear gloves to protect hands during cleaning.

5.2 Areas that require special attention when cleaning the gun



Regulator hole 2.Piston 3.Regulator 4.Barrel bore

Fig.22

After shooting, there will be powder residue that may result in the gun not operating optimally unless it is properly cleaned and maintained. The regulator holes, piston, and barrel bore must be properly cleaned, wiped and lubricated.

Warning! The failure to clean the barrel and the gas system in a timely manner will lead to the failure of the firing system.

5.3. Frequency of cleaning

Timely cleaning should be conducted after firing to prevent powder residue accumulation and barrel corrosion. When the firearm is not used, it should be thoroughly cleaned once or twice a year under dry condition and once a week under humid condition, to ensure the normal function of all the mechanisms.

Caution: In extreme circumstances (with a temperature below zero Celsius or below 36 degree Fahrenheit), using a dry lubricant (instead of lube oil) can better protect the firearm.

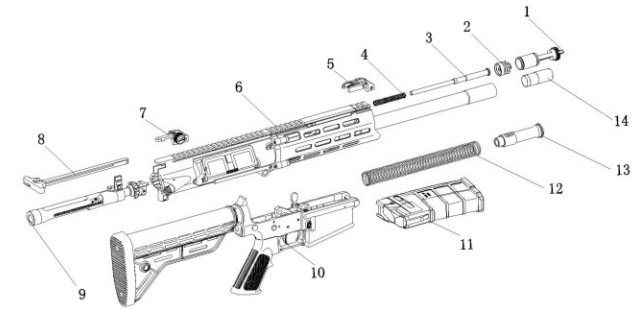
6. Storage Requirements

The firearm should be thoroughly cleaned and mildly lubricated for storage, by wiping with soft cloth coated with quality antirust oil. Before storage, check visually to make sure that there is no cartridge in both the barrel and the magazine. The bolt should be in the forefront position, the rear sight set at mark "3", the hammer in the fired position and the safety setter in the "S" (safe) position. The firearm and ammunition should be stored apart in a place inaccessible to children and people unauthorised. To return the firearm into ready condition for use, apply excessive lubricant to the weapon, remove all antirust oil, and check the barrel to make sure it is free of any contaminant and foreign objects.

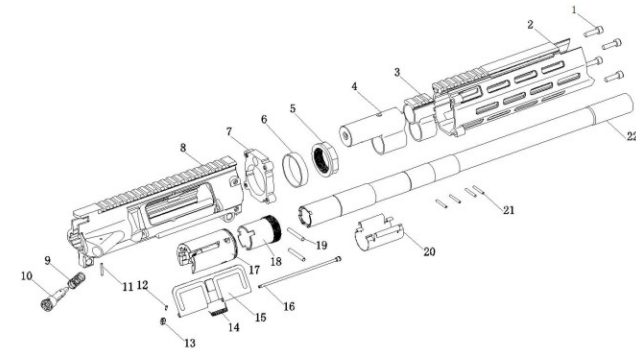
Warning! The use of retrofitted, modified or other nonstandard cartridges may cause damage to the shotgun and injury or casualties to the shooter and surrounding people. The firearm manufacturer and dealer are not responsible for accidents resulting from the use of nonstandard or defective cartridges.

Warning! Any changes or modification of the shotgun as delivered from its manufacturer may cause potential danger and jeopardize the warranty. The firearm manufacturer and dealer are not responsible for accidents to the shooter or other people due to modifications of the trigger, safety devices or other parts of the firearm.

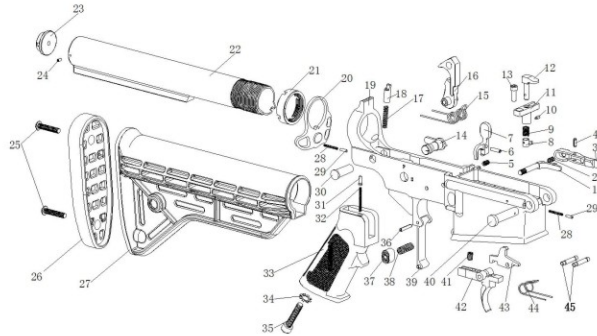
7.Exploded View of M12AR Shotgun



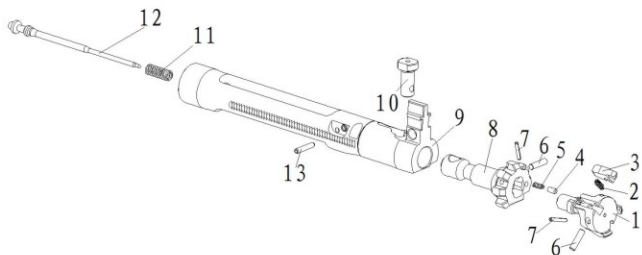
1.Regulator	2.Piston	3.Piston rod	4.Piston rod spring	5.Front sight assembly
6.Gun body	7.KAC rear sight assembly	8.Charging handle	9.Bolt	10.Lower receiver part
11.Magazine	12.Return spring	13.Buffer	14.Choke	



1.Hex screws M5×20	2.Picatinny hand guard rail	3.Regulator seat	4.Ventilate-pipe	5.Bolt up system barrel nut
6.Liner nut	7.Picatinny hand guard rail seat block	8.Upper receiver	9.Forward assist spring	10.Forward assist assembly
11.Spring pin φ2.5×16	12.Hex socket set screws φ2.5×16	13.Dust cover lock nut	14.Dust cover spring	15.Dust cover
16.Dust cover rod	17.Multi-cored seat	18.Screw liner	19.Multi-cored pin	20.Ventilation cover
21.Ventilate pipe pin	22.barrel			



1.Magazine catch base	2.Magazine clip spring	3. Magazine Catch	4. Spring pin $\phi 3 \times 8$	5.Bolt catch release spring
6.Spring pin $\phi 3 \times 10$	7.Bolt catch release	8.Bolt catch spring seat	9.Bolt catch spring	10.Hex socket set screw M2.5 $\times 6$
11.Bolt catch seat	12.Bolt catch	13.Hex screw M1 $\times 12$	14.safety selector lever	15.Hammer spring
16.Hammer	17.Stop pin spring	18.Stop pin	19.Lower receiver	20.M4 Butterfly ring
21.Round plain nut	22.Receiver Extension	23.Buttcap spacer	24.Set screw M3 $\times 6$	25.Hex screws M5 $\times 25$
26.Butt plate	27.Butt stock	28.Takedown pin spring	29.Takedown pin detent	30.Receiver pin
31.Safety detent pin	32.Safety detent spring	33.M4 Grip	34.Lock washer $\phi 6$	35.Hex screw M6 $\times 30$
36.Spring pin $\phi 3 \times 18$	37.Magazine release button	38.Magazine catch spring	39.Trigger guard	40.Pivot pin
41.Sear spring	42.Trigger	43.Sear	44.Trigger spring	45.Hammer and trigger pins
46.hammer and trigger pin Circlips				



1.Bolt head	2.Extractor spring	3.Extractor	4.Bolt pusher head	5.Locating spring
6.Extractor pin	7.Spring pin $\phi 2 \times 12$	8.Breech block	9.Bolt part	10.Cam pin
11.Firing pin spring	12.Firing pin	13.Spring pin $\phi 3 \times 14$		