



12 Gauge Semi-Automatic Shotgun Operation & Maintenance Manual

M12AK



JTS Group Inc,
P.O. Box 12481
Rochester, NY 14612

Email: customerservice@jtsgroup.us
Web site: www.jtsgroup.us

! DO NOT SHIP ANY FIREARMS TO THE ABOVE ADDRESS !
Please refer to your warranty as to how to obtain a Return Authorization
Number and where to send firearms for warranty repair.

Operation & Maintenance Instructions 12 Gauge Semi-Automatic Shotgun

Contents

1.Basic rules of safety operation-----	page01
2.Introduction to the Shotgun-----	page04
3.Operating Procedures-----	page05
4.Disassembling and Reassembling-----	page11
5.Firearm Cleaning and Maintenance-----	page19
6.Storage Requirements-----	page20
7.Exploded View of M12AK Shotgun -----	page21

1.Basic rules of safety operation

For your safety and the safety of others, this owner's manual contains important warnings and safety procedures, which must be understood BEFORE using this firearm. Read the entire manual, and if you do not understand any part of it or the operation of your firearm, stop and seek professional firearm instruction.

Record the serial number of your firearm: _____
Record the model number of your firearm: _____

Keep this manual, with the model and serial numbers noted, and proof of purchase for safekeeping. Such proof is necessary for warranty repair.

WARNING
Always keep the muzzle pointed in a safe direction

This is the most important firearm safety rule. A safe direction is one in which an accidental discharge will not cause injury to yourself or others. Never point your firearm at anything you do not intend to shoot. This is particularly important when loading or unloading a firearm. Treat every firearm as if it were loaded at all times.

WARNING
Firearms should be unloaded when not actually in use

Firearms should only be loaded when you are in the field or on the target range or shooting area, ready to shoot. When not in use, firearms and ammunition should be secured in a safe place, separate from each other. Remember to unload your firearm completely so there is no ammunition in the chamber or magazine. Before handling this or any firearm, or handling it to someone else, visually check the chamber and magazine to ensure they do not contain ammunition. Always keep the firearm's action open when not in use. Never assume a firearm is unloaded.

Warning! Never cross a fence, climb a tree, wade through a stream or perform any awkward movement with a loaded firearm. When in doubt, unload your firearm!

Warning! Never pull or push a loaded firearm toward yourself or another person.

Warning! Never carry a loaded firearm in a holster or firearm case.

WARNING

Never touch trigger until ready to fire

Treat every firearm as though it could fire at any time. The “safety” on a firearm is a mechanical device. Never assume the firearm won't fire just because “the safety is on”. Never touch the firearm's trigger until you are ready to shoot. Keep your fingers away from the trigger when loading or unloading. Never pull the trigger when the safety is engaged or when the safety is positioned between the “SAFE” and “FIRE” position. Never place your finger on the trigger unless you intend to fire.

Warning! Never touch trigger before firing.

WARNING

Be sure of your target and what is beyond it!

Once fired, a bullet can never be called back, so before you shoot, know where the bullet is going and what it will strike. Be certain your shot will not injure someone or strike something beyond the target. Never fire in the direction of noise, a movement or at any object you cannot positively identify. Be aware that shotgun bullets can travel 500 yards and a shotgun slug has a range of over a half mile. Keep in mind how far the bullet will travel if it misses your intended target. Once fired, you are responsible for your action and judgment.

WARNING

Use the correct ammunition

Every firearm is designed to use a certain caliber or gauge of ammunition. It is important that you use the correct ammunition for your firearm. Information on the correct ammunition to use with your firearm appears in the firearm's instruction manual and the manufacturer's markings on the firearm itself. Use of the wrong ammunition, improperly reloaded ammunition or corroded ammunition can result in the destruction of the firearm, serious personal injury and/or death. Form the habit of examining every round of ammunition before you put it into your firearm to ensure it is of the proper gauge or caliber and that it is in good condition.

WARNING

If your firearm fails to fire when the trigger is pulled, handle with care

If a cartridge or shell does not fire when the trigger is pulled, keep the firearm's muzzle pointed in a safe direction. Wait at least 30 seconds before carefully opening the action, unloading the firearm and safely disposing of the ammunition.

WARNING

Always wear eye and ear protection when shooting

Exposure to shooting noise can permanently damage hearing. Flying debris, such as powder residue and ejected cartridge cases can injure your eyes. Thus it is only common

sense to wear both eye protection and ear protection whenever shooting. Also wear eye protection when cleaning or disassembling your firearm to ensure that cleaning solvent and tensioned parts do not come into contact with your eyes.

WARNING

Be sure the barrel is clear of obstructions before shooting

Discharging a firearm with an obstruction in the barrel can result in personal injury, property damage and/or death. Before you load your firearm, check the chamber and magazine to ascertain no ammunition is inside. Even a small amount of mud, snow or excess lubricating oil or grease in the bore can cause excessive pressures resulting in a bulged or burst barrel which can injure or kill the shooter and bystanders. It's recommended to make a habit of cleaning the bore and checking for obstructions with a cleaning rod before each shooting session. If the noise or recoil experienced upon firing seems low or weak, or something doesn't feel “right”, cease firing immediately, and check to make sure there are no obstructions in the barrel. Placing an undersized shell or cartridge into a firearm can result in the smaller round of ammunition falling into the barrel and acting as an obstruction. When a round is subsequently fired, the barrel may burst, causing injury to the shooter and bystanders.

WARNING

Do not alter or modify your firearm and have it serviced regularly

Firearms are complex mechanisms that are designed to function properly in their original condition. Any alterations or changes made to a firearm after its manufacture can make the gun unsafe and will void its warranty. Do not jeopardize your safety or the safety of others by altering the trigger, mechanical safety or other mechanisms of your firearm. You should have your firearm periodically checked for proper functioning and serviced by a qualified gunsmith.

WARNING

Learn the mechanical and operating characteristics of your firearm

Not all firearms operate the same way. The method of carrying, handling and operating firearms varies with the mechanical characteristics of each firearm. Thus you should never handle any firearm until you become familiar with the safe handling, loading, unloading and carrying procedures for that particular firearm, as well as the rules for safe gun handling in general.

Discharging firearms in poorly ventilated areas, cleaning firearms or handling ammunition may result in exposure to lead and other substances known to cause birth defects, reproductive harm and other serious injuries. Adequate ventilation is recommended at all times when shooting. Wash hands thoroughly after exposure.

WARNING

Do not use alcohol or drugs when shooting

Keep sober when shooting! Don't operate firearms after drinking alcohol or using drugs. You cannot operate your firearm safely. Don't do anything to affect your judgment and compatibility.

2. Introduction to the Shotgun

2.1. Use of the shotgun

This 12 gauge semi-automatic shotgun is a great tool for shooting and hunting enthusiasts and also a great collectable firearm.

This firearm is compatible with Remington chokes (Rem Choke) and most Saiga magazines.

2.2. Operation principle and characteristics

This shotgun employs the automatic principle of gas operation and the bolt rotation for locking and unlocking. On firing, the powder gas from the gas port impacts on the piston, pushing the bolt to unlock the locking body and the bolt head to recoil, and then the bolt goes forward under the action of the counter-recoil spring, completing the automatic cycle.

It is a semi-automatic gun, where one cartridge is fed and then fired by pulling the trigger, the case extraction and ejection are completed by the bolt and the next cartridge is automatically loaded into the chamber under the action of the powder gas.

2.3 Structure

2.3.1. The shotgun profile

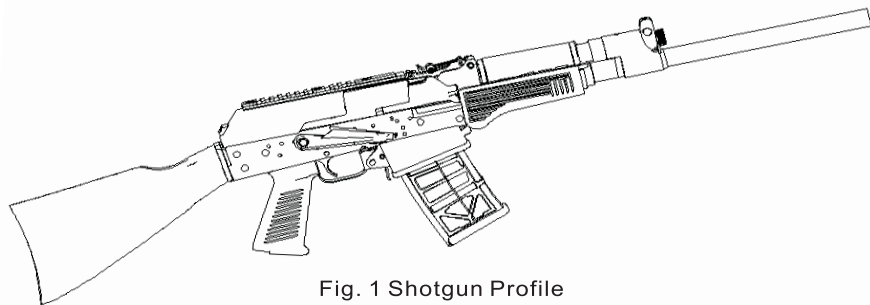


Fig. 1 Shotgun Profile

2.3.2. Major components of the shotgun

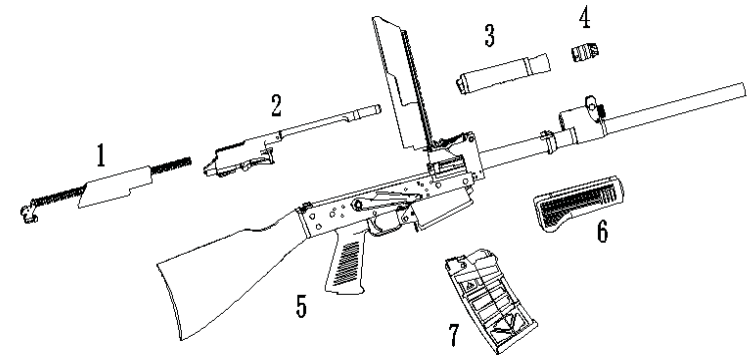


Fig. 2 Exploded View of Shotgun

- | | | |
|---------------------------|---------------------|-------------|
| 1. Counter-recoil device | 4. Piston | 7. Magazine |
| 2. Bolt | 5. Gun body | |
| 3. Protective cover assy. | 6. Lower hand guard | |

2.4. Main data

Barrel length: 18.5" (475mm)

Cartridges used: 12 gauge ball cartridges 2-3/4" and 3".

Length of whole gun: 39.4" (1000mm)

Firing mode: Single shots

Weight of whole shotgun (with one empty magazine): 8.8 lbs (4 Kgs)

Aiming means: mechanical sight (with optical sight connector)

Feeding device: Magazine of 5 rounds

3. Operating Procedures

3.1. Check safety before use

Hold the magazine middle and press the magazine holder to remove the magazine downward, pull the bolt backward and check if there is any cartridge inside the chamber.

Caution: At the end of firing, take off the magazine and pull the bolt backward to remove the cartridge from the chamber.

Warning! Do not touch the trigger before firing.
Warning! Do not point the gun at any non-target objects.

3.2. Cartridge loading

3.2.1. Rotate the safety setter to the safe position.

3.2.2. Press the magazine holder (in front of the trigger guard) to remove the magazine (see Fig. 3) if it is on the gun.

3.2.3. Load one cartridge of the right specifications into the magazine.

3.2.4. Press the cartridge downward to enter one compartment and push it to the magazine back wall until it is held reliably by the holder.

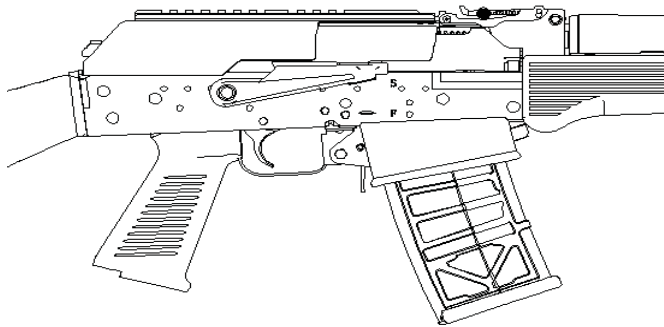


Fig. 3 Press Magazine Holder and Remove Magazine

3.2.5. Load next cartridge in the same way until the magazine is full.

Warning! Prior to loading make sure that the cartridge is of the right specifications, clean and free of damage. The firearm manufacturer and dealer are not responsible for use of any reproduced, retrofitted or self-made cartridges. Using the latest up-to-standard cartridges is beneficial to the firearm. Use of nonstandard or low quality cartridges may cause property damage or casualty during fire.

Warning! In order to minimize the risk of causing property damage and casualties, load cartridges when everything else is ready for shooting.

3.3. Aiming

The mechanical sight consists of an aperture type rear sight, a front sight base adjustable on both sides and a front sight adjustable up and down. The rear sight is marked with "2", "3", "4" and "5", representing the ranges of 25m, 35m, 45m and 55m respectively. To conduct aiming, align the three points, i.e., the aperture center and the tip of front sight with the target for firing.

3.4. Firing

3.4.1. Preparation before firing

Warning! Before shooting, make sure there is no dirt or other obstacles in the barrel.

Warning! Keep fingers away from the trigger when loading the magazine.

Warning! Point the muzzle to a safe direction.

Warning! There are two positions (the single shot position and the safe position) of the safety setter. When the safety setter points to "S", the gun is in the "safe" state. The shotgun is in the firing state when the safety setter points to "F" (see Fig. 5). If the safety setter is not pointing to the "safe" position, pulling the trigger will fire the cartridge. Keep aware of the "Safe" and "Fire" positions of the safety setter to avoid serious casualties or property losses.

The safety setter in the safe position: The safety setter points to "S" = safe position shown on the receiver (see Fig. 4).

The safety setter in the firing position: The safety setter points to "F" = firing position shown on the receiver (see Fig. 5).

3.4.1.1. Set the safety setter in the "S" position;

3.4.1.2. Load cartridges as stated herein;

Caution: Under the condition that all the mechanisms can function reliably, prudently use positions "2", "3" and "0" of the regulator. Otherwise, the shotgun firing life could be affected.

3.4.1.3. Cartridge loading shall be carried out as stated herein.

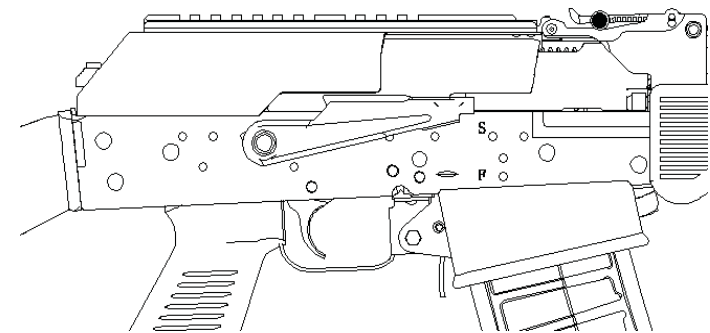


Fig. 4 Safe Position

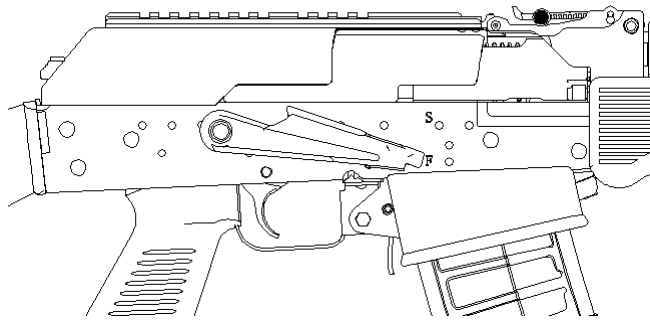


Fig. 5 Firing Position

3.4.1.4. Insert the loaded magazine into the magazine slot on the receiver and hook up the magazine hitch with the magazine holder on the receiver till the sound of “click”, indicating the magazine is fitted to position. In the process of mounting the magazine, keep the muzzle pointed towards a safe direction and fingers off the trigger. After mounting, gently pull the magazine downward to make sure that it is firmly locked (see Fig. 6).

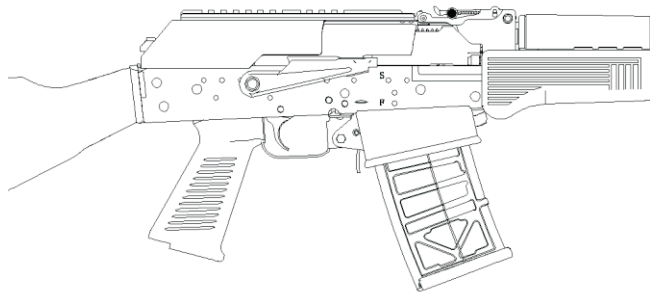


Fig. 6 Magazine Is Fitted to Position

3.4.1.5. Keep the muzzle pointed towards a safe direction, fingers off the trigger, and set the safety setter to the "F" (fire) position.

3.4.1.6. Pull the bolt to the rearmost position and then release it. The bolt moves quickly forward and pushes a cartridge into the chamber, making the gun ready for firing.

3.4.1.7. Set the safety setter to the "S" (safe) position.

Warning! Now the shotgun chamber is loaded with a cartridge and the hammer is in the cocked position. Be careful with operation.

Warning! Now the shotgun chamber is loaded with a cartridge and the firearm will fire if the safety setter is set to the "F" (fire) position and the trigger is pulled. Please be extremely careful and point the muzzle towards a safe direction.

3.4.2. Shooting

3.4.2.1. Bear in mind the fundamental rules of safely operating the firearm.

3.4.2.2. Set the safety setter to the "F" position.

3.4.2.3. Adjust the sights and aim at the target.

3.4.2.4. Put the index finger on the trigger inside the trigger guard.

3.4.2.5. Pull the trigger to fire the first cartridge.

3.4.2.6. After firing the first round the spent shell will eject from the firearm. Make sure there is nobody in the case ejecting direction to avoid injury caused by the ejected case.

Warning! If the trigger is pulled again, the shotgun will fire again! Keep the muzzle pointed toward a safe direction.

3.4.2.7. At the end of firing, set the safety setter to the "S" (safe) position.

3.4.2.8. Remove the magazine and check if there are any cartridges left inside. If there are any cartridges in the magazine, remove them by pushing down and forward on the cartridges.

3.4.2.9. Set the safety setter to the "F" position, pull the bolt to the rearmost position and visually check to make sure that there is no cartridge in the chamber. Release the bolt, point the firearm to a safe direction, pull the trigger to fire once and set the safety setter to the "S" position.

3.4.2.10. Store the shotgun and ammo separately in a place inaccessible to children and unauthorized persons.

Warning! After use and before cleaning and storing, remove the cartridge from the chamber to minimize the risk of misfire.

Warning! If there is a cartridge in the chamber, the firearm will still fire when the trigger is pulled even if the magazine has been removed.

Warning! When dropped onto the ground, any firearm with a cartridge in its chamber and with the safety setter set to the "F" position may fire.

Warning! If the shotgun fails to fire, it should be kept toward the target for at least 30 seconds to wait for hang fire. If the cartridge is not fired yet, remove the magazine and take out the failed round.

3.5. Check for remaining cartridge

Warning! Point the muzzle toward a safe direction

3.5.1. Set the safety setter to the "S" position.

3.5.2. Press the magazine holder to remove the magazine.

3.5.3. Set the safety setter to the "F" position. Pull the bolt to the rearmost position, check to make sure there are no cartridges inside the chamber. Prompt: If there is a cartridge therein, that action will drag it out.

3.5.4. Unload the remaining cartridges from the magazine.

3.5.5. Set the safety setter to the "S" position.

Caution: When storing the shotgun, set the safety setter to the "S" position and the hammer in the fired position. Place the magazine, cartridges and the shotgun separately.

3.6. Use of the regulator

3.6.1. The numbers "1", "2", "3" and "0" represent the corresponding gas ports respectively. The number "1" represents the smallest gas port and the number "3" represents the biggest gas port, the number "0" represents the locking position.

3.6.2. Normally the number "1" should be aligned with "↑" on the mortise lock of the regulator dial (see Fig.7).

3.6.3. When it is ascertained the recoil energy is insufficient, turn the number "2" or "3" of regulator dial to align with "↑", when the cartridge energy is too low and the shooting requirement still cannot be met, adjust "2" or "3" of regulator dial to "0" position, then manual loading, and manual ejecting after fired.

Warning: As long as recoil energy is enough for the shotgun to function reliably, a smaller gas port should be used as much as possible. Otherwise, the shotgun firing life may be affected.

Warning: Feeding or case ejecting trouble may occur when a smaller gas port or a lower chamber pressure cartridge is used. In this case, remove the magazine, pull the bolt, check to see if there is a cartridge in the chamber **and if so, remove the cartridge with a cleaning rod.** Then adjust the regulator to a larger gas port or use the cartridge of right specifications designated for this shotgun for firing.

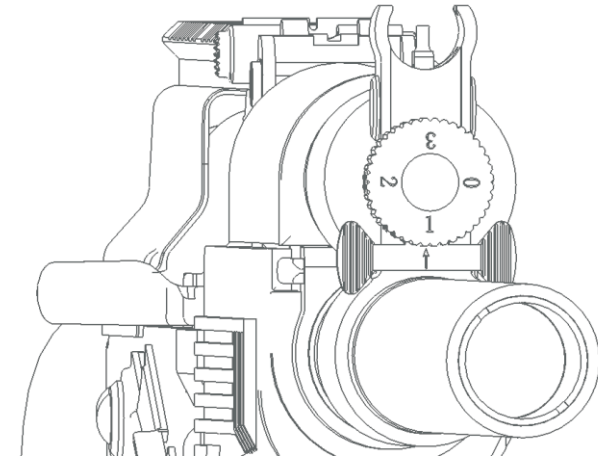


Fig. 7 Indication of Regulator

4. Disassembling and Reassembling

- A. Before disassembling, check to ensure there is not a cartridge inside the chamber. If there is, remove with a cleaning rod.
- B. Operation should be performed as specified, without hard knocking or violent stripping.
- C. Disassembled parts should be placed in sequence on a clean surface.
- D. No parts other than those specified herein shall be disassembled.
- E. Parts should be cleaned and oiled before reassembling.
- F. After reassembly, all the mechanisms of the shotgun should function flexibly and reliably.
- G. The reassembled shotgun should be set to the safe position after verification.

4.1. Disassembling procedures

Warning! Disassembling the shotgun other than as described below may cause damage to the gun.

Warning! Wear eye protection, such as shooting glasses or goggles, to prevent injury to eyes by springing components, such as springs during disassembly.

Warning! Prior to breaking down the shotgun, follow the steps described above and check to make sure that there is no cartridge in the chamber.

4.1.1. Check the safety

4.1.1.1. Hold the stock firmly with the left hand and the magazine with the right hand, press the magazine holder hard with the right thumb and pull the magazine downward to remove it (see Fig. 3).

4.1.1.2. Pull the bolt backward and check if there is any cartridge inside the chamber (see Fig. 8).

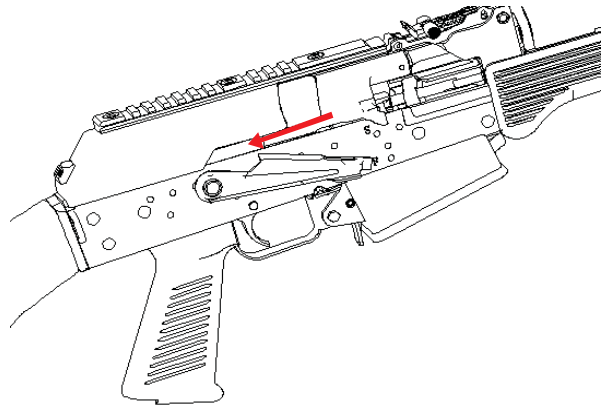


Fig. 8 Pulling Bolt to Check If There Is Any Cartridge in Chamber

4.1.2. Disassemble the shotgun

A. Open the receiver cover

Press down the protrusion on the counter-recoil device seat by the thumb (or a punch), push the counter-recoil device seat into the square hole in the receiver cover and turn the receiver cover upward to disengage it from the receiver seat (see Fig. 9).

Warning: The receiver cover may turn on disassembling and reassembling and should be held by hand to prevent it hurting fingers.

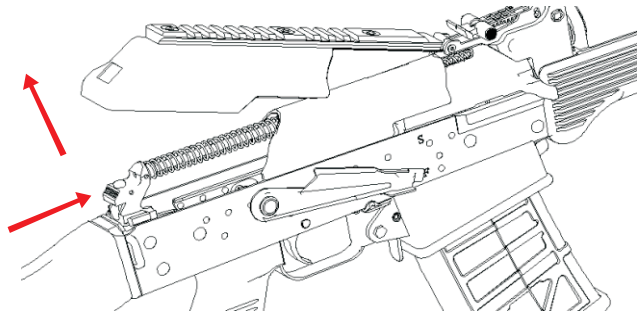


Fig. 9 Opening Receiver Cover

B. Remove the counter-recoil device

Push the counter-recoil device seat until it disengages from the receiver slot and then remove the counter-recoil device (Fig. 10).

C. Remove the bolt

Pull the bolt to the rear end of the receiver, align it with the notch of the receiver and remove the bolt upward (Fig. 11). Afterwards, take out the bolt head assembly from the bolt carrier (Fig. 12).

D. Remove the upper hand guard assembly

Rotate the upper hand guard hold-down counterclockwise to turn it from the position where the hand guard assembly is locked to the position where the hand guard is released (Fig. 13) and lift the hand guard assembly upward to take it out (Fig. 14).

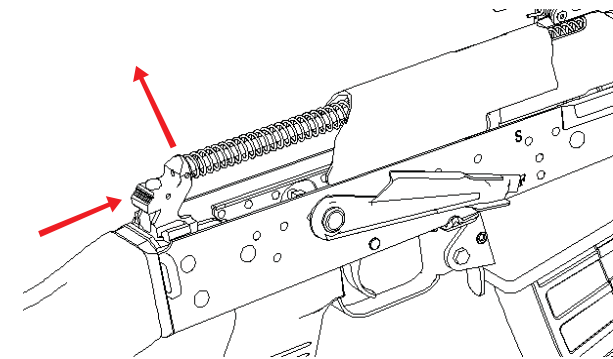


Fig. 10 Removing Counter-recoil Device

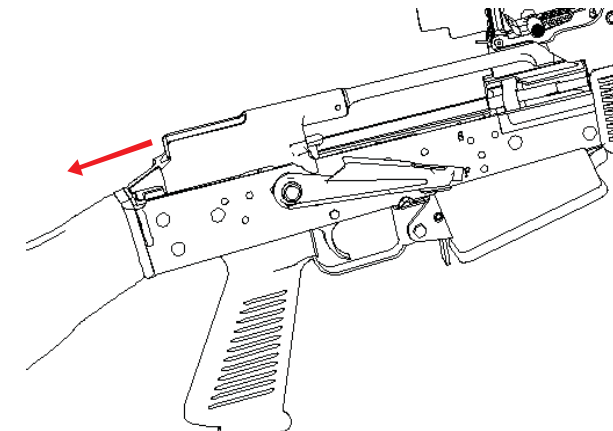


Fig. 11 Removing Bolt

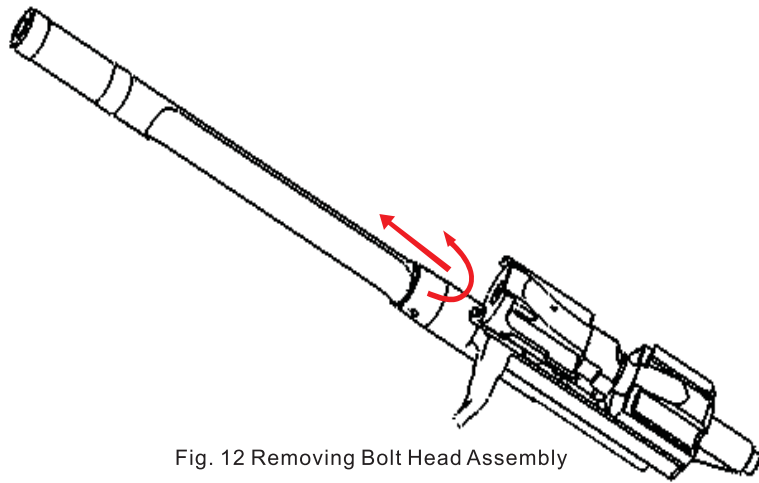


Fig. 12 Removing Bolt Head Assembly

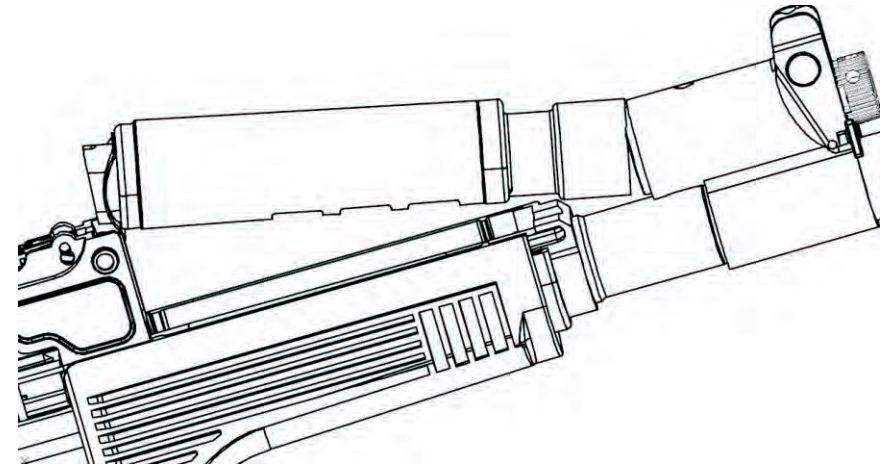


Fig. 14 Removing Upper Handguard Assembly

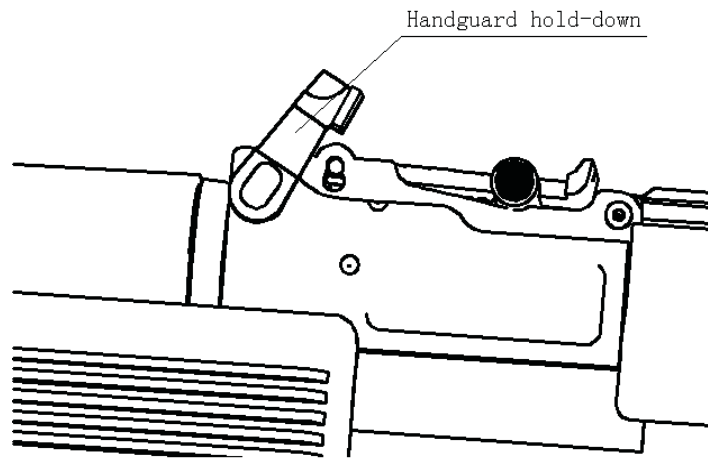


Fig. 13 Handguard Hold-down in Position When Upper Handguard Assembly Is Released

E. Remove the lower hand guard

1. Turn the lower hand guard hoop pin clockwise to release it from the barrel axially (see Fig. 15).
2. Push the hand guard hoop towards the muzzle to remove it (Fig. 15).
3. Push the hand guard towards the muzzle to disengage it from the receiver body and pull it downward to remove it (see Fig. 16).

F. Remove the piston

Take out the piston from the regulator by hand or a suitable tool (see Fig. 17).

G. Remove the regulator

Remove the regulator dial screw to take off the dial and then the regulator downward (see Fig. 17).

Caution: Normally the regulator is not disassembled; it is recommended to dismount it for washing cleanly when the gas port is obstructed or the regulator is dirty.

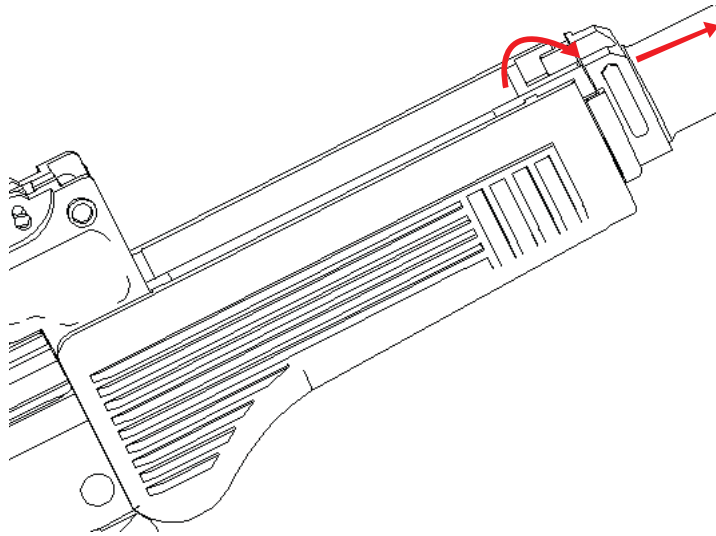


Fig. 15 Disengaging Lower Handguard Hoop Pin from Barrel axially

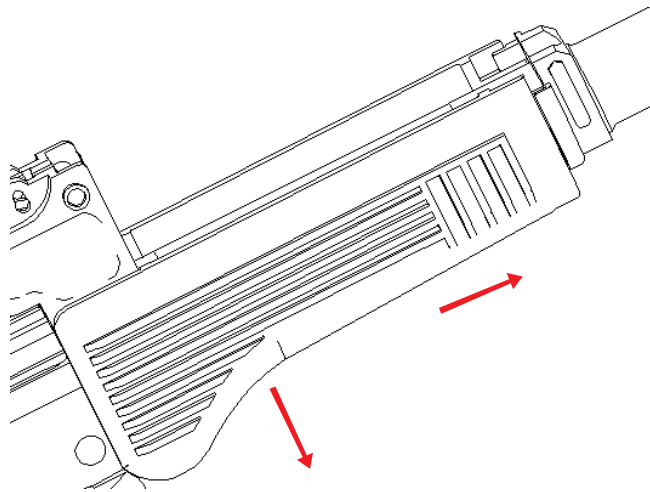


Fig. 16 Removing Lower Handguard

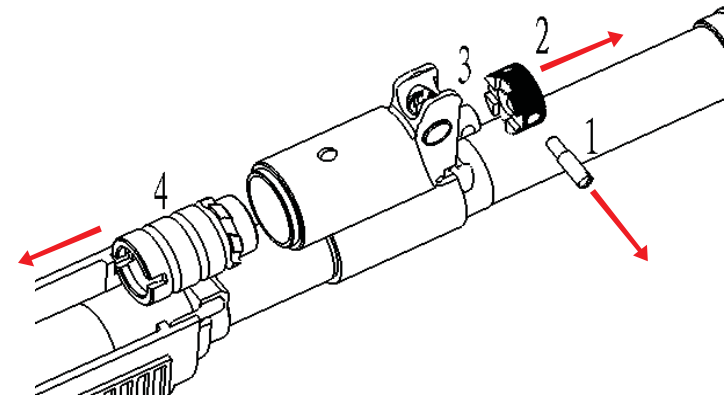


Fig. 17 Removing Regulator Dial, Regulator and Piston
1.Regulator dial screw 2. Regulator dial 3. Regulator 4. Piston

4.2. Reassembling procedures

Reassembly should be carried out in the reverse order of disassembly. After reassembly, check all mechanisms for smooth and reliable function and, pull the trigger to set the hammer in the fired position with its spring free of tension.

Warning! Disassembling the striker system is not recommended. When reassembling it after disassembling, visually check the locating wire to make sure it gets into the circular groove in the corresponding spindle (as shown in Fig. 18) and press the located spindle either by hand or with a tool to make sure it is not loose. Otherwise firing trouble may occur to cause damage to the gun or result in personal injury.

Warning! Generally, disassembling the bolt is not recommended. If it has to be disassembled in order to clear the firing pin hole of powder residue and clean the bolt head, special care should be taken when reassembling it to make sure the firing pin is correctly directed and pin and spring are correctly positioned (See Fig. 19). Otherwise early firing may occur due to the failure of the firing pin to work freely or failure to put in the firing pin spring, which may cause mechanical damage to the gun or result in personal injury.

Caution: On reassembling, set the safety setter to the "F" position.

4.2.1. Following the reassembly of the regulator, regulator dial and piston, fit on the upper handguard assembly and its hold-down. Then turn the hold-down handle downward to have the hold-down arc face hold the handguard firmly (see Fig.20).

4.2.2. To fit on the lower handguard, turn its hoop pin counterclockwise to fix the pin to the barrel so as to tightly lock the hoop and the handguard(see Fig.21).

4.2.3. To assemble the bolt, first press down the hammer backward to have it caught by the sear, then fit in the bolt from the rear notch of the receiver and push it forward to position.

4.2.4. When assembling the receiver cover, first push the counter-recoil device a bit forward to have it held in the rear seat slot. Turn the receiver cover assembly till it contacts the counter-recoil device seat, then gently press the cover with the left hand and pull the bolt backward with the right hand to force the counter-recoil device seat into the square hole in the receiver cover (see Fig. 22).

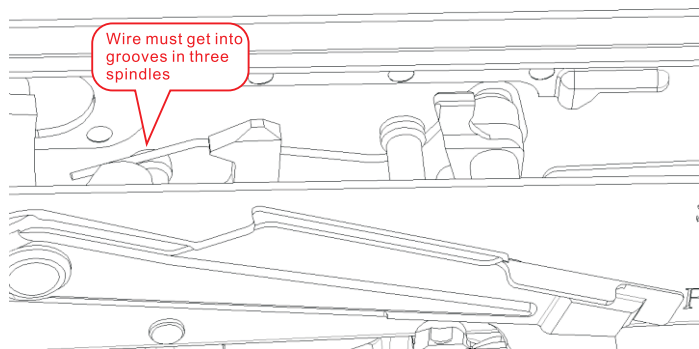


Fig. 18 Locating wire getting into circular grooves in spindles

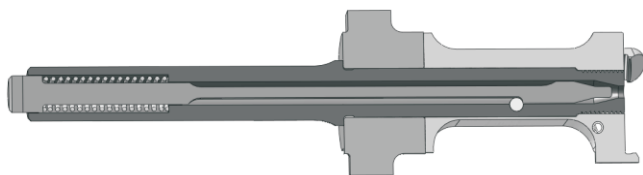


Fig. 19 Relative positions of firing pin, spring and pin

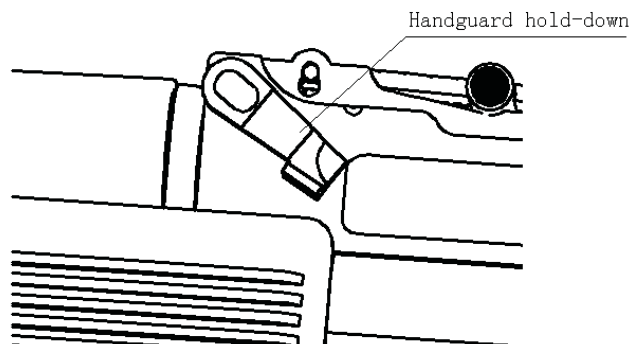


Fig. 20 Handguard Hold-down in Position Where Upper Handguard Assembly Is Held Firmly

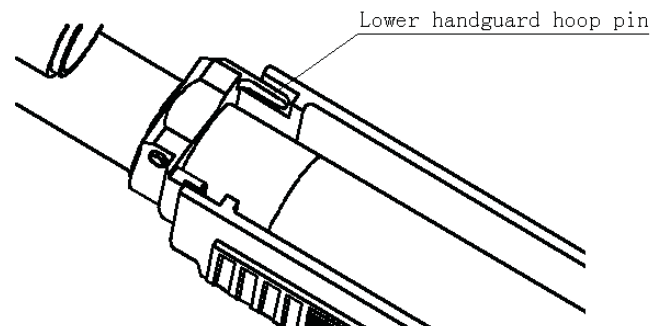


Fig. 21 Lower Handguard Hoop Pin Firmly Holding Lower Handguard

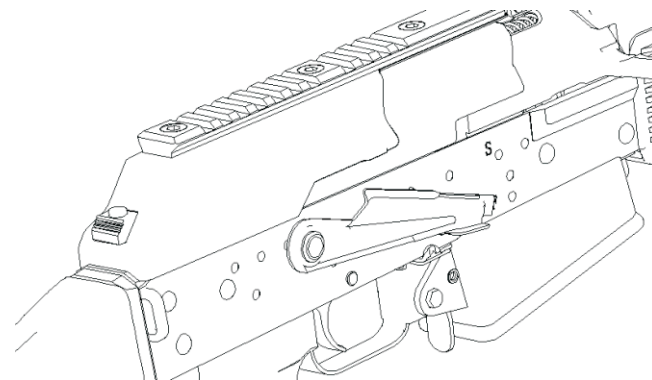


Fig. 22 Receiver Cover Reassembled

5. Firearm Cleaning and Maintenance

5.1. Firearm cleaning

5.1.1. Read through the cleaning instructions and use high-quality cleaning kit to clean the firearm.

5.1.2. Disassemble the firearm according to the procedures prescribed herein.

Warning! Handling ammunition and cleaning the gun may cause spread of lead or other substances, presenting threat to health. Wash hands and face after shooting and cleaning.

Warning! Regularly have the gun checked by an authorized firearm professional for worn out or damaged parts to ensure its safety and service life.

Warning! In cleaning the gun, eye protector, such as shooting glasses or goggles should be worn to avoid potential injuries caused by detergent, lubricants and elastic components like springs.

Warning! Excessive use of detergent or lube oil will be counterproductive. Prior to shooting, wipe the barrel bore with dry cloth to ensure that there is no foreign object therein.

Warning! Some detergents may produce harmful gases. Read and follow the warning instructions on the package by the detergent manufacturer.

Warning! Some parts may be with sharp edges. It is recommended to wear gloves to protect hands during cleaning.

5.2. Frequency of cleaning

Timely cleaning should be conducted after firing to prevent powder residue accumulation and barrel corrosion. When the firearm is not used, it should be thoroughly cleaned once or twice a year under dry condition and once a week under humid condition, to ensure the normal function of all the mechanisms.

Caution: In extreme circumstances (with a temperature below zero Celsius or below 36 degree Fahrenheit), using a dry lubricant (instead of lube oil) can better protect the firearm.

6. Storage Requirements

The firearm should be thoroughly cleaned and mildly lubricated for storage, by wiping with soft cloth coated with quality antirust oil. Before storage, check visually to make sure that there is no cartridge in both the barrel and the magazine. The bolt should be in the forefront position, the rear sight set at mark "3", the hammer in the fired position and the safety setter in the "S" (safe) position. The firearm and ammunition should be stored apart in a place inaccessible to children and people unauthorised. To return the firearm into ready condition for use, apply excessive lubricant to the weapon, remove all antirust oil, and check the barrel to make sure it is free of any contaminant and foreign objects.

Warning! The use of retrofitted, modified or other nonstandard cartridges may cause damage to the shotgun and injury or casualties to the shooter and surrounding people. The firearm manufacturer and dealer are not responsible for accidents resulting from the use of nonstandard or defective cartridges.

Warning! Any changes or modification of the shotgun as delivered from its manufacturer may cause potential danger and jeopardize the warranty. The firearm manufacturer and dealer are not responsible for accidents to the shooter or other people due to modifications of the trigger, safety devices or other parts of the firearm.

7.Exploded View of M12AK Shotgun

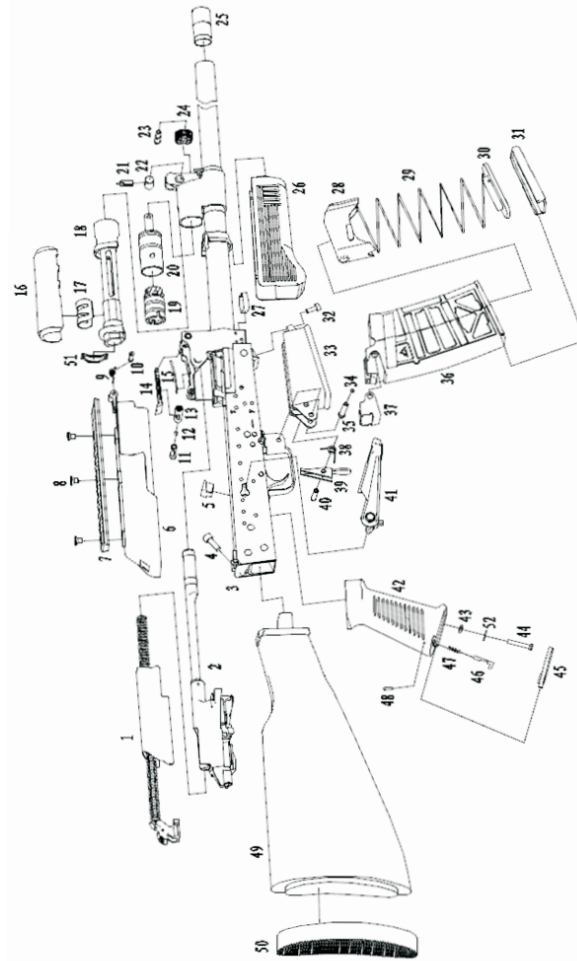


Fig. 23 Exploded View of Shotgun

1. Recuperator	14. Rear sight	27. Lower handguard lock spring	40. Magazine clip spindle
2. Bolt assembly	15. Rear sight spring	28. Feed tray	41. Safety lock assembly
3. Gun body	16. Guard cover	29. Feed spring	42. Hand grip
4. Screw M6×12	17. Cover liner	30. Feed spring seat	43. Washer
5. Handgrip nut	18. Piston guide assembly	31. Magazine bottom cover	44. Handgrip screw M6×30
6. Receiver cover	19. Piston	32. Screw M5×12	45. Handgrip cover
7. Top rubber clamp	20. Governor	33. Magazine base	46. Handgrip cover pin
8. Receiver cover screw M5×10	21. Front sight	34. Retaining ring 4	47. Handgrip cover spring
9. Receiver cover spring	22. Front sight seat	35. Magazine seat pin	48. Pin
10. Receiver cover pin	23. Adjuster disk screw	36. Magazine	49. Butt
11. Slider clamp	24. Adjuster disk	37. Feed opening	50. Butt bottom
12. Slider clamp spring	25. Choke	38. Magazine clip spring	51. Guard spring snap rings
13. Slider	26. Lower handguard	39. Magazine clip	52. Spring washer

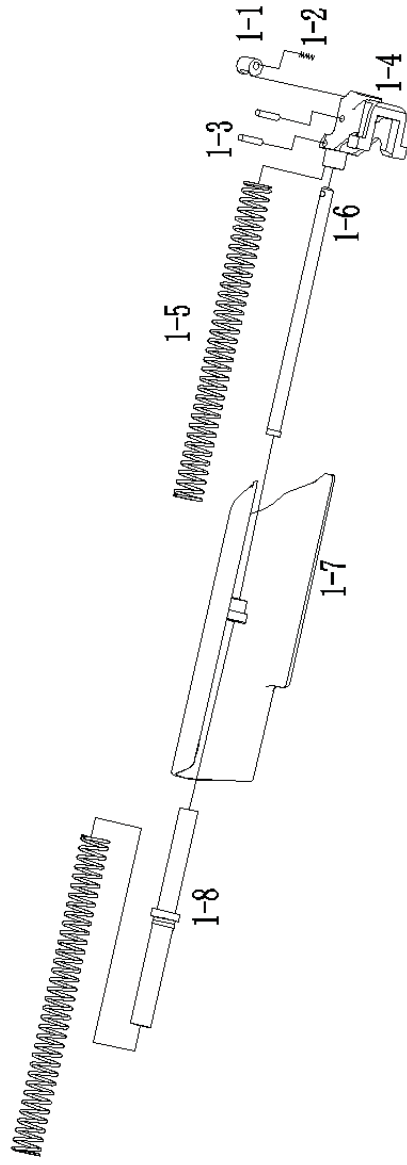


Fig. 24 Exploded view of recuperator

1-1 Locator	1-2 Locating spring	1-3 Locater pin	1-4 Recuperator seat
1-5 Return spring	1-6 Return spring guide	1-7 Guard	1-8 Recuperator sleeve

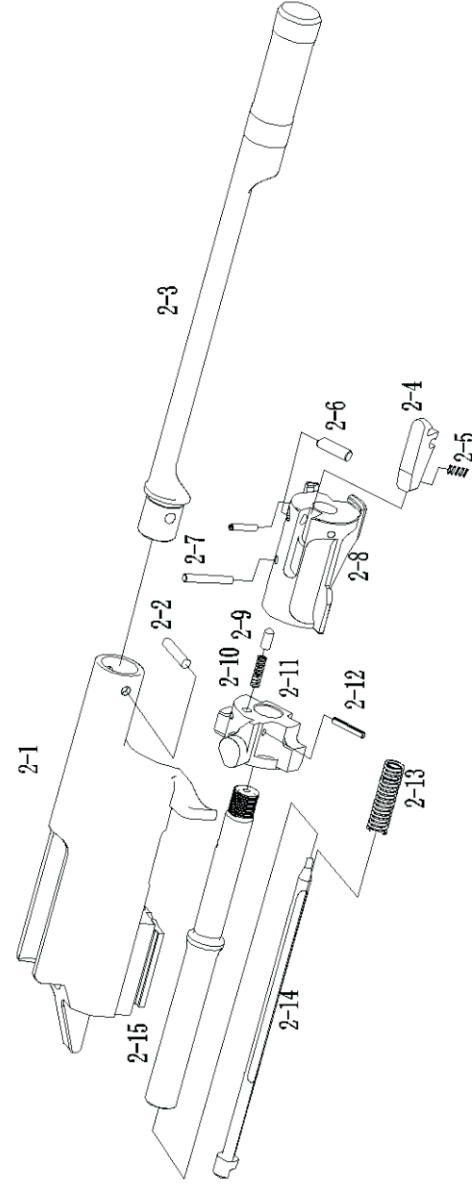


Fig. 25 Exploded view of bolt

2-1 Bolt carrier	2-5 Extractor pawl spring	2-9 Bolt pusher head	2-13 Firing pin reset spring
2-2 Pin 3x20	2-6 Extractor pawl pin	2-10 Locating spring	2-14 Firing pin
2-3 Bolt carrier pusher	2-7 Pin	2-11 Bore lock	2-15 Bolt rod
2-4 Extractor pawl	2-8 Bolt head	2-12 Pusher head pin	

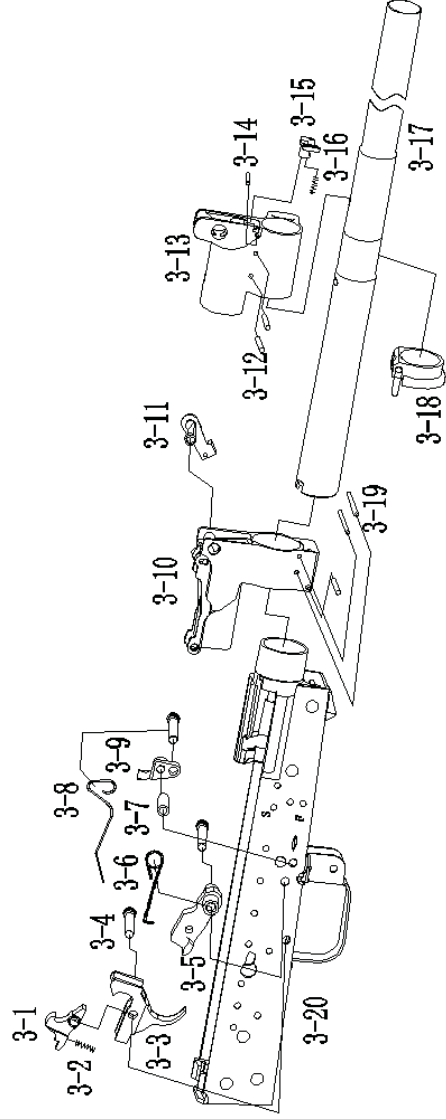


Fig. 26 Exploded view of gun body

3-1 Sear	3-6 Hammer spring	3-11 Cover pin assembly	3-16 Locating spring
3-2 Sear spring	3-7 Middle liner	3-12 Pin	3-17 Barrel
3-3 Trigger	3-8 Steel wire	3-13 Gas clamp	3-18 Handguard clamps assembly
3-4 Firing unit shaft	3-9 Extractor	3-14 Gas clamp pin	3-19 Rear sight seat pin
3-5 Hammer	3-10 Rear sight seat	3-15 Adjuster disk tenon	3-20 Receiver