

SIGSAUER®



SIG 1911

OPERATOR'S MANUAL: HANDLING & SAFETY INSTRUCTIONS

READ THE INSTRUCTIONS AND WARNINGS IN THIS MANUAL CAREFULLY BEFORE USING THIS FIREARM.
DO NOT DISCARD THIS MANUAL.

THIS MANUAL SHOULD ALWAYS ACCOMPANY THIS FIREARM AND BE TRANSFERRED WITH IT UPON CHANGE IN OWNERSHIP, OR WHEN THE FIREARM IS PRESENTED TO ANOTHER PERSON.





WARNINGS

1.0 SAFETY WARNINGS

READ THIS ENTIRE MANUAL THOROUGHLY AND CAREFULLY PRIOR TO USING THIS FIREARM.

The warnings in this operators manual are extremely important. By understanding the dangers inherent in the use of any firearm, and by taking the precautions described in this manual, you can experience a high level of safety in the use of your firearm. Failure to heed any of these warnings may result in serious injury or death to you or others, as well as severe damage to the firearm or other property.

WARNINGS in this manual identify a clear danger to the person performing that procedure. Warnings are identified by a red banner with the word **WARNING** in white, bold, uppercase letters and a **WARNING** icon. Failure to comply with a **WARNING** can result in serious injury or death to you or a bystander.



WARNING

CAUTIONS in this manual identify a risk of damage to the firearm being maintained. **CAUTIONS** are identified by a black banner with the word **CAUTION** in white, bold, uppercase letters.

CAUTION



WARNINGS

SIG SAUER

As a valued SIG SAUER customer, we encourage you to visit sigsauer.com. There you will find links to product information and updates, merchandise promotions, and educational videos that will be of interest to you as an owner of SIG SAUER products.

SIG SAUER firearms are designed to function reliably with proper care and knowledgeable use. You must understand the safe operation and use of your SIG SAUER firearm. Read and follow these instructions carefully. Do not use the firearm unless you fully understand these instructions and the safe operation of your firearm. Failure to heed any of these instructions may result in serious injury or death to you or others, as well as severe damage to the firearm or other property.

Your firearm comes equipped with effective, well-designed safety features. However, never rely completely on any safety mechanism. Safety mechanisms are designed to augment, not replace safe handling practices. Careless and improper handling of any firearm can result in an unintentional discharge.

Only your safe firearm handling habits will ensure the safe use of your firearm. Like all mechanical devices, the safety mechanisms are subject to breakage or malfunction and can be negatively affected by wear, abuse, dirt, corrosion, incorrect assembly, improper adjustment or repair, or lack of maintenance. Moreover, there is no such thing as a safety mechanism that is “childproof” or that can completely prevent accidental discharge from improper usage, carelessness, “horseplay”, or abusive handling.

The best safety is proper and applied training in safe firearm handling. Always handle your firearm as though you expect the safeties not to work.



WARNINGS

1.0 SAFETY WARNINGS - CONTINUED

Do not load a cartridge into the chamber until you are ready to use the firearm. If your firearm is equipped with a manual safety, keep the safety ON until you are actually ready to use the firearm. Always move the safety fully to its engaged position and visually check it. The safety is not ON unless it is completely ON.

ABUSIVE HANDLING

SIG SAUER firearms incorporate effective mechanical safeties. However, like any mechanical device, exposure to abusive conditions may have a negative effect on these safety mechanisms and cause them to fail to work as designed. Do not subject your SIG SAUER firearm to any type of abusive handling. This includes the firearm being dropped, impact to the firearm, or the firearm being struck by another object. Make sure you always maintain control of your firearm at all times. If your firearm does suffer an abusive event such as previously described, do not attempt to use the firearm. Keep the firearm pointed in a safe direction, unload and clear the firearm of all ammunition immediately, and have it inspected by a certified SIG SAUER armorer or gunsmith prior to using the firearm.

A safe direction is defined as an area in which, if the firearm were to discharge, no property damage would occur and no personal injury would result.

As previously noted, if your SIG SAUER firearm does suffer an abusive event, unload it immediately and have it inspected by a certified SIG SAUER Armorer or gunsmith prior to using the firearm.

Intentional or repetitive abusive handling of any SIG SAUER firearm will void the manufacturer's warranty and could render the firearm unsafe.



WARNINGS

SIG SAUER

REPLACEMENT PARTS

Do not attempt to disassemble your SIG SAUER firearm beyond the point explained in this manual.

Disassembly beyond the instructions in this manual is restricted to a certified SIG SAUER armorer or professional gunsmith. Failure to comply with these restrictions will void your warranty.

Warnings and instructions about the use of some SIG SAUER replacement parts, assemblies, and accessories may be described in literature accompanying the specific products. Read and carefully follow those instructions. Such warnings and instructions are provided to assure the safe functioning of the firearm. Failure to heed them may result in improper functioning, damage to the firearm, and serious injury or death to you or others.

ALTERATIONS

This SIG SAUER firearm was designed to function properly in its original condition. Unauthorized alterations can make it unsafe. Do not alter any part or add or substitute any parts or accessories not manufactured by SIG SAUER for this pistol. The addition of any parts or accessories beyond the user level of maintenance described in this manual is not authorized.



WARNINGS

1.0 SAFETY WARNINGS - CONTINUED

ACCESSORIES

It is your responsibility to ensure that all accessories, such as holsters and firearm-mounted lights, are compatible with this firearm and that the accessories do not interfere with the safe operation and handling of the firearm. If you are lawfully carrying the firearm concealed, you must ensure that the holster you choose is made for your particular firearm and designed for the type of carry in which you intend to engage.

TRANSPORTING

When transporting your firearm, be sure the firearm is unloaded and cleared of all ammunition. It is your responsibility to familiarize yourself with the laws of any state you will be traveling through with your firearm.

STORAGE

The only safe way to store your firearm is unloaded, cleared of all ammunition, and secure. Safe and secure storage is one of your most important responsibilities. Store your unloaded firearm separate from your ammunition and in places inaccessible to children or unauthorized persons.

CHAMBER SAFETY FLAG

Every SIG SAUER firearm is shipped with a chamber safety flag. The chamber safety flag prevents the chambering of a round when installed and provides a readily visible indication that the firearm's chamber is empty. The chamber safety flag is to be installed in the firearm's chamber at all times when the firearm is not in use. Many public ranges require chamber safety flags be installed when the firing line is cold.



WARNINGS

SIG SAUER

LIABILITY

PISTOLS are classified as FIREARMS and are sold by SIG SAUER with the specific understanding that we shall not be responsible in any manner whatsoever for malfunctioning of the firearm, physical injury, or property damage resulting in whole or in part from:

- Criminal or negligent discharge
- Improper, careless, or abusive handling
- Unauthorized modifications or parts replacement
- Defective, improper, hand-loaded, or reloaded ammunition
- Corrosion
- Neglect
- Other influences beyond our direct and immediate control

This limitation applies regardless of whether liability is asserted on the basis of contract, negligence, or strict liability (including any failure to warn). Under no circumstance shall SIG SAUER, Inc. be liable for incidental or consequential damages such as loss of use of property, commercial loss, and loss of earnings or profits.



WARNINGS

BASIC RULES OF SAFE FIREARMS HANDLING

1. ALWAYS treat every firearm as if it were loaded.
2. ALWAYS be sure the barrel is clear of any obstruction.
3. ALWAYS be sure of your backstop, what lies beyond, and the safety of bystanders before you shoot.
4. ALWAYS use clean, dry, original factory-made ammunition of the proper type and caliber for your firearm.
5. ALWAYS wear ear protection and safety glasses when shooting.
6. ALWAYS carry your firearm so that you can control the direction of the muzzle if you fall or stumble.
7. NEVER shoot at a flat surface or water.
8. DO NOT leave a loaded fire arm unattended. Firearms and ammunition should be stored separately, locked if possible, beyond the reach of children, careless adults, or unauthorized users.
9. NEVER allow your firearm to be used by anyone who has not read and understood this operators manual.
10. DO NOT point any firearm, loaded or unloaded, at any undesired or unsafe target.
11. NEVER discharge your firearm near an animal unless the animal is trained to accept the noise. An animal's startled reaction could injure it or cause an accident.
12. NEVER drink alcoholic beverages or use drugs before or during shooting, as your vision and judgment could be seriously impaired, making your firearm handling unsafe.



WARNINGS

SIG SAUER

1.1 EYE AND EAR PROTECTION



Always wear safety glasses that meet the requirements of American National Standards Institute (ANSI) z87.1 and ear plugs and “ earmuff ”-type protectors whenever you are shooting. Always make certain that persons close to you are similarly protected. Unprotected eyes may be injured by powder, gas, carbon residue, lubricant, metallic particles, or similar debris that may emanate occasionally from any firearm in normal use. Without ear protection, repeated exposure to shooting noise may lead to cumulative, permanent hearing loss.

1.2 AMMUNITION

Use only high-quality, original, factory-manufactured ammunition. Do not use cartridges that are dirty, wet, corroded, bent, or damaged. Do not oil cartridges. Do not spray aerosol-type lubricants, preservative, or cleaners directly onto cartridges or where excess spray may flow into contact with cartridges. Lubricant or other foreign matter on cartridges can cause potentially dangerous ammunition malfunctions. Use only ammunition of the caliber for which your firearm is chambered. The proper caliber is permanently engraved on your firearm; never attempt to use ammunition of any other caliber. The use of reloaded, “re-manufactured” hand-loaded, or other nonstandard ammunition voids all warranties. Reloading is a science and improperly loaded ammunition can be extremely dangerous.



WARNINGS

1.2 AMMUNITION - CONTINUED

Severe damage to the firearm and serious injury or death to the shooter or to others may result. Always use ammunition that complies with the industry performance standards established by the Sporting Arms and Ammunition Manufacturers' Institute, Inc. (SAAMI) or ammunition manufactured to U.S. military specifications.

SIG SAUER, Inc., specifically disclaims responsibility for any damage or injury whatsoever occurring in connection with, or as a result of, the use in any SIG SAUER firearm of faulty, nonstandard, "re-manufactured" hand-loaded (reloaded) ammunition, or cartridges other than those for which the firearm was originally chambered.

Firearms may be severely damaged and serious injury or death to the shooter or to others may result from any condition causing excessive pressure inside the chamber or barrel during firing. Excessive pressure can be caused by obstructions in the barrel, propellant powder overloads, the use of incorrect cartridges, or defectively assembled cartridges. In addition, the use of a dirty, corroded, or damaged cartridge can lead to a burst cartridge case and consequent damage to the firearm and personal injury from the sudden escape of high-pressure propellant gas within the firearm's mechanism.

OBSTRUCTED BORE

Immediately stop shooting, keep the pistol pointed in a safe direction whenever:

- You have difficulty in, or feel unusual resistance in, chambering a cartridge;
- A cartridge misfires (does not go off);
- The mechanism fails to extract a fired cartridge case;
- Unburned grains of propellant powder are discovered spilled in the mechanism;
- A shot sounds weak or abnormal. It is possible that a bullet is lodged part way down the barrel.



WARNINGS

SIG SAUER

- Firing a subsequent bullet into the obstructed barrel can damage the firearm and cause serious injury to the shooter or to bystanders.

Bullets can become lodged in the barrel when:

- The cartridge has been improperly loaded without propellant powder, or if the powder fails to ignite (ignition of the cartridge primer alone will push the bullet out of the cartridge case, but usually does not generate sufficient energy to expel the bullet completely from the barrel);
- The bullet is not properly seated in the cartridge case. When such a cartridge is extracted from the chamber without being fired, the bullet may be left behind in the bore at the point where the rifling begins. Subsequent chambering of another cartridge may push the first bullet further into the bore.

If there is any reason to suspect that a bullet is obstructing the barrel, immediately unload and clear the firearm. Field strip the pistol and look through the bore of the barrel. It is not sufficient to merely look in the chamber. A bullet may be lodged some distance down the barrel where it cannot easily be seen.

If a bullet is in the bore, do not attempt to shoot it out by using another cartridge or by blowing it out with a blank or a cartridge from which the bullet has been removed. Such techniques can generate excessive pressure, damage the firearm, and cause serious personal injury or death.

If the bullet can be removed by tapping it with a cleaning rod, clean any unburned powder grains from the bore, chamber, and mechanism, before resuming shooting. If the bullet cannot be dislodged by tapping it with a cleaning rod, take the firearm to a gunsmith or certified SIG SAUER Armorer.



WARNINGS

1.2 AMMUNITION - CONTINUED

Dirt, corrosion, or other foreign matter on a cartridge can impede chambering and may cause the cartridge case to burst upon firing. A damaged or deformed cartridge may also impede chambering or cause the cartridge case to burst upon firing.

Do not lubricate cartridges, and be sure to wipe the chamber clean of any oil or preservative before shooting. Oil interferes with the friction between cartridge case and chamber wall that is necessary for safe functioning, and subjects the firearm to stress similar to that imposed by excessive pressure.

Use lubricants sparingly on the moving parts of your firearm. Avoid excessive spraying of any aerosol gun care product, especially where it might get on ammunition. All lubricants and aerosol spray lubricants in particular can penetrate cartridge primers and cause misfires. Some highly penetrative lubricants can also migrate inside cartridge cases and cause deterioration of the propellant powder; on firing, the powder might not ignite. If only the primer ignites, there is danger that the bullet may become lodged in the barrel.

Death, serious injury, and damage to the firearm can result from the use of wrong ammunition, bore obstructions, powder overloads, or incorrect cartridge components. Always wear shooting glasses and hearing protectors.



WARNINGS

SIG SAUER



WARNING: CANCER AND REPRODUCTIVE HARM-www.P65warnings.ca.gov



DISCHARGING FIREARMS IN POORLY VENTILATED AREAS, CLEANING FIREARMS, OR HANDLING AMMUNITION MAY RESULT IN EXPOSURE TO LEAD AND OTHER SUBSTANCES KNOWN TO THE STATE OF CALIFORNIA TO CAUSE BIRTH DEFECTS, REPRODUCTIVE HARM, AND OTHER SERIOUS PHYSICAL INJURY. MAINTAIN ADEQUATE VENTILATION AT ALL TIMES. WASH HANDS THOROUGHLY AFTER EXPOSURE. SHOOTING OR CLEANING FIREARMS MAY EXPOSE YOU TO LEAD



WARNINGS

1.3 STATE-BY-STATE WARNINGS

Certain states require, by law, that their own specified warning notices, in larger than-normal type be conspicuously included by the manufacturer, distributor, or retail dealer with firearms sold in that state. SIG SAUER sells its products in compliance with applicable laws and regulations. Because our products may be sold in these states, we include the following:



CALIFORNIA: WARNING

Firearms must be handled responsibly and securely stored to prevent access by children and other unauthorized users. California has strict laws pertaining to firearms, and you may be fined or imprisoned if you fail to comply with them. Visit the Web site of the California Attorney General at <https://oag.ca.gov/firearms> for information on firearm laws applicable to you and how you can comply. Prevent child access by always keeping guns locked away and unloaded when not in use. If you keep a loaded firearm where a child obtains and improperly uses it, you may be fined or sent to prison."

If you or someone you know is contemplating suicide, please call the National Suicide Prevention Lifeline at 1-800-273 TALK (8255).



ADVERTENCIA

Las armas de fuego deben manipularse de manera responsable y segura para evitar el acceso de niños y otros usuarios no autorizados. California tiene leyes estrictas relacionadas con armas de fuego, y usted puede ser multado o encarcelado si no las cumple. Visite el sitio web del fiscal general de California en <https://oag.ca.gov/firearms> para obtener información sobre las leyes de armas de fuego que son aplicables y cómo puede cumplirlas. Evite el acceso de niños manteniendo siempre las armas bloqueadas y descargadas cuando no estén en uso. Si mantiene un arma de fuego cargada donde un niño la puede obtener y la usa indebidamente, se le puede multar o enviar a prisión.

Si usted o alguien que conoce está contemplando el suicidio, llame a la Línea Nacional de Prevención del Suicidio al 1-800-273 TALK (8255).



WARNINGS

SIG SAUER

CONNECTICUT:

“UNLAWFUL STORAGE OF A LOADED FIREARM MAY RESULT IN IMPRISONMENT OR FINE.”

FLORIDA:

“IT IS UNLAWFUL, AND PUNISHABLE BY IMPRISONMENT AND FINE, FOR ANY ADULT TO STORE OR LEAVE A FIREARM IN ANY PLACE WITHIN THE REACH OR EASY ACCESS OF A MINOR UNDER 18 YEARS OF AGE OR TO KNOWINGLY SELL OR OTHERWISE TRANSFER OWNERSHIP OR POSSESSION OF A FIREARM TO A MINOR OR A PERSON OF UNSOUND MIND.”

MAINE:

“ENDANGERING THE WELFARE OF A CHILD IS A CRIME. IF YOU LEAVE A FIREARM AND AMMUNITION WITHIN EASY ACCESS OF A CHILD, YOU MAY BE SUBJECT TO FINE, IMPRISONMENT OR BOTH. KEEP FIREARMS AND AMMUNITION SEPARATE. KEEP FIREARMS AND AMMUNITION LOCKED UP. USE TRIGGER LOCKS.”

MARYLAND:

“WARNING: CHILDREN CAN OPERATE FIREARMS WHICH MAY CAUSE DEATH OR SERIOUS INJURY. IT IS A CRIME TO STORE OR LEAVE A LOADED FIREARM IN ANY LOCATION WHERE AN INDIVIDUAL KNEW OR SHOULD HAVE KNOWN THAT AN UNSUPERVISED MINOR WOULD GAIN ACCESS TO THE FIREARM.
STORE YOUR FIREARM RESPONSIBLY!”



WARNINGS

MASSACHUSETTS:

“WARNING FROM THE MASSACHUSETTS ATTORNEY GENERAL:

This handgun is not equipped with a device that fully blocks use by unauthorized users. More than 200,000 firearms like this one are stolen from their owners every year in the United States. In addition, there are more than a thousand suicides each year by younger children and teenagers who get access to firearms. Hundreds more die from accidental discharge. It is likely that many more children sustain serious wounds, or inflict such wounds accidentally on others. In order to limit the chance of such misuse, it is imperative that you keep this weapon locked in a secure place and take other steps necessary to limit the possibility of theft or accident. Failure to take reasonable preventative steps may result in innocent lives being lost, and in some circumstances may result in your liability for these deaths.”



WARNINGS

SIG SAUER

MASSACHUSETTS: - Continued

“IT IS UNLAWFUL TO STORE OR KEEP A FIREARM, PISTOL, SHOTGUN OR MACHINE GUN IN ANY PLACE UNLESS THAT WEAPON IS EQUIPPED WITH A TAMPER RESISTANT SAFETY DEVICE OR IS STORED OR KEPT IN A SECURELY LOCKED CONTAINER.”

NEW JERSEY:

“IT IS A CRIMINAL OFFENSE TO LEAVE A LOADED FIREARM WITHIN EASY ACCESS OF A MINOR.”

NEW YORK CITY, NY:

“THE USE OF A LOCKING DEVICE OR SAFETY LOCK IS ONLY ONE ASPECT OF RESPONSIBLE FIREARMS STORAGE. FOR INCREASED SAFETY, FIREARMS SHOULD BE STORED UNLOADED AND LOCKED IN A LOCATION THAT IS BOTH SEPARATE FROM THEIR AMMUNITION AND INACCESSIBLE TO CHILDREN AND OTHER UNAUTHORIZED PERSONS.”



WARNINGS

NORTH CAROLINA:

Any person who resides in the same premises as a minor, owns or possesses a firearm, and stores or leaves the firearm (i) in a condition that the firearm can be discharged and (ii) in a manner that the person knew or should have known that an unsupervised minor would be able to gain access to the firearm, is guilty of a Class 1 misdemeanor if a minor gains access to the firearm without the lawful permission of the minor's parents or a person having charge of the minor and the minor:

- (1) Possesses it in violation of G.S. 14-269.2(b)
- (2) Exhibits it in a public place in a careless, angry, or threatening manner;
- (3) Causes personal injury or death with it not in self defense; or
- (4) Uses it in the commission of a crime.

TEXAS:

"IT IS UNLAWFUL TO STORE, TRANSPORT, OR ABANDON AN UNSECURED FIREARM IN A PLACE WHERE CHILDREN ARE LIKELY TO BE AND CAN OBTAIN ACCESS TO THE FIREARM."

WISCONSIN:

"IF YOU LEAVE A LOADED FIREARM WITHIN THE REACH OR EASY ACCESS OF A CHILD YOU MAY BE FINED OR IMPRISONED OR BOTH IF THE CHILD IMPROPERLY DISCHARGES, POSSESSES, OR EXHIBITS THE FIREARM."

Please check with your licensed retailer, state police, or local police for additional warnings, which may be required by local law or regulation. Such regulations change constantly, and local authorities are in the best position to advise you on such legal matters.



WARNINGS

SIG SAUER

1.3 LOCKING DEVICES



All firearms are originally shipped with a key-operated locking device, except for Custom Works firearms that are shipped with a lockable case.

Although it can help provide secure storage for your unloaded firearm, any locking device can fail.

All firearms are designed to fire if they are loaded and the trigger is pressed. Therefore, never install the locking device inside the trigger guard or in any way that makes it possible to press the trigger! Do not leave the keys in the lock.

The ultimate responsibility for secure storage of any firearm must depend upon its owner and his or her individual circumstances.

Firearms should be stored unloaded, in a secure location, separate from their ammunition.

To maximize effectiveness and reduce the chances of malfunction or damage to a firearm, ALWAYS refer to the locking device's manufacturer directions for installation and removal of the device.



WARNINGS

1.4 SAFETY INFORMATION

This operator's manual is designed to assist you in learning how to use and care for your SIG SAUER® firearm properly.

Only when you are certain that you fully understand this manual and can properly carry out its instructions, should you practice loading and firing your firearm with live ammunition. Having a firearm in your possession is a full-time job; you cannot guess and you cannot forget. You must know how to use your firearm safely.

If you have any doubts about your ability to handle or use this firearm safely, you should seek supervised instruction.

The SIG SAUER Academy provides all levels of firearms safety and skill training, from beginner to expert.

For more information contact:

SIG SAUER[®]
ACADEMY

sigsaueracademy.com • (603) 610-3400
Epping, New Hampshire

SAFETY MUST BE THE FIRST AND CONSTANT CONSIDERATION OF EVERY PERSON WHO HANDLES FIREARMS AND AMMUNITION.

For more information about safety, responsible firearms ownership, and shooting sports, contact:

National Rifle Association (NRA) of America
11250 Waples Mill Road, Fairfax, VA 22030-7400 • 1-800-672-3888
nra.com

THIS PAGE INTENTIONALLY LEFT BLANK



Table of Contents

1.0 SAFETY WARNINGS	2
1.1 EYE AND EAR PROTECTION	9
1.2 AMMUNITION	9
1.3 LOCKING DEVICES.	19
1.4 SAFETY INFORMATION	20
2.0 MECHANICAL CHARACTERISTICS	24
2.1 DESCRIPTION OF FIREARM	24
2.1.1 GENERAL	24
2.1.2 PRINCIPAL FEATURES.	24
2.1.3 TECHNICAL SPECIFICATIONS	25
2.2 MAIN COMPONENTS AND OPERATOR CONTROLS	26
3.0 HANDLING	28
3.1 PREPARATION INSTRUCTIONS	28
3.2 MANUAL SAFETY	28
3.3 LOADING THE MAGAZINE	30
3.4 LOADING THE PISTOL.	31
3.5 RELOADING DURING SHOOTING	33
4.0 FIRING	35
4.1 CLEARING A STOPPAGE	36
4.2 FIRING THE PISTOL	37
5.0 UNLOADING THE PISTOL.	39
5.1 UNLOADING THE PISTOL (MAGAZINE NOT EMPTY)	40
5.2 UNLOADING THE PISTOL (MAGAZINE EMPTY, SLIDE OPEN)	42
6.0 PROCEDURES IN CASE OF A STOPPAGE	43
6.1 TROUBLESHOOTING GUIDE	44
6.2 MINIMIZING STOPPAGES	46

7.0 MAINTENANCE	47
7.1 PISTOL DISASSEMBLY	47
7.2 MAGAZINE DISASSEMBLY	53
7.3 CLEANING THE 1911 PISTOL	54
7.4 PISTOL ASSEMBLY	57
7.5 MAGAZINE ASSEMBLY	65
7.6 FUNCTION VERIFICATION	66
8.0 SIGHTS	71
8.1 GENERAL INFORMATION	73
9.0 STORAGE AND TRANSPORTATION	74
9.1 STORAGE	74
9.2 TRANSPORTATION	76
10.0 SERVICE AND PARTS POLICY	77
10.1 PARTS POLICY	77
10.2 SERVICE POLICY	78
10.3 SHIPPING FIREARMS FOR REPAIR	79
11.0 PARTS DIAGRAMS	82
11.1 STANDARD SLIDE PARTS	82
11.2 RXZ SLIDE PARTS (ROMEO ZERO)	83
11.3 GRIP PARTS	84



2.0 MECHANICAL CHARACTERISTICS

2.1 DESCRIPTION OF FIREARM

2.1.1 GENERAL

The SIG SAUER 1911 pistol is a classic handgun with modern advances incorporating the latest technical advances in firearm design for military, law enforcement, and sporting use. The 1911 is a hammer fired mechanically locked, short-recoil operated pistol with semi-automatic reloading. Firing takes place with each press of the trigger until the magazine is empty. The slide remains open after the last round has been fired from the magazine.

2.1.2 PRINCIPAL FEATURES

The 1911 incorporates multiple safety features including the grip safety, ambidextrous manual safety, and firing pin lock.

Distinctive high-contrast sights, in conjunction with the ergonomically correct grip, ensure rapid target acquisition and engagement, even under poor lighting conditions.

1911 pistols are offered with SIG SAUER Electro-Optics.

The Interchangeable grip plates allows for optimal adaptation of the pistol to the individual user.

An accessory rail is integrated into the frame of some models, facilitating the easy attachment of industry standard tactical accessories.

The closed design of the pistol helps keep dirt and other debris from entering the pistol, ensuring proper function in harsh environmental conditions.

Manual safeties come as single side (left) or ambidextrous which can be operated from either side of the pistol.

The grip safety acts as a secondary safety to prevent accidental discharge for when the pistol is being carried with the manual safety off.

2.1.3 TECHNICAL SPECIFICATIONS

All specification tables for each 1911 model are available on-line at, sigsauer.com.



2.2 MAIN COMPONENTS AND OPERATOR CONTROLS

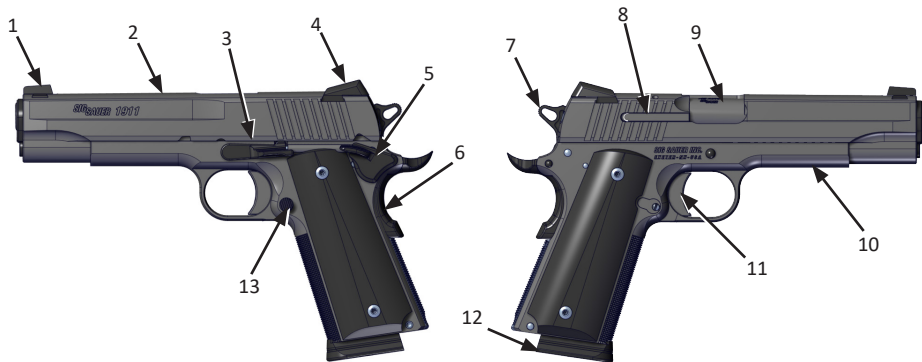


FIGURE 1. OPERATOR CONTROLS AND FEATURES

TABLE 1. OPERATOR CONTROLS AND FEATURES

1	Front Sight	The means of aiming the pistol.
2	Slide	Houses extractor, firing pin safety lock, firing pin and sights.
3	Slide Stop	Holds the slide and barrel to the frame and locks slide to rear upon firing of last cartridge. Can be used to manually lock slide to rear for maintenance.
4	Rear Sight	The means of aiming the pistol.
5	Manual Safety Lever	Manually lock slide in place and prevents the hammer from hitting the firing pin when trigger is pressed. Can be single side (Left) or ambidextrous.
6	Grip Safety	Prevents the firing of a cartridge accidentally by blocking the firing mechanism.
7	Hammer	Impacts the firing pin, causing it to detonate the primer.
8	Extractor	Pulls spent casings or cartridges out of the chamber of the barrel.
9	Barrel	Houses cartridge for firing and directs projectile.
10	Frame	Supports all major components of pistol.
11	Trigger	When pressed actuates the internal components to cock and/or release the hammer.
12	Magazine	Holds and positions cartridges in place for feeding.
13	Magazine Catch	Locks magazine into frame. Releases magazine when pressed.



3.0 HANDLING

3.1 PREPARATION INSTRUCTIONS

Prior to firing the pistol for the first time, we strongly suggest that you perform an initial cleaning and lubrication of the pistol after you unpack it. Any fouling present will have been from final range firing at the factory prior to shipping.

Refer to Section 7.3 for instructions on cleaning the pistol.

If you have the pistol and ammunition and have read and understood all of the safety instructions, you are now ready to use the pistol.

3.2 MANUAL SAFETY

The SIG SAUER 1911 is equipped with a manual safety. The manual safety when engaged, mechanically blocks the movement of the sear, preventing release of the hammer.

To engage the manual safety, rotate the safety lever upward. The slide cannot be manipulated with the manual safety engaged.



MANUAL SAFETY DISENGAGED (LEFT SIDE)



MANUAL SAFETY ENGAGED (LEFT SIDE)

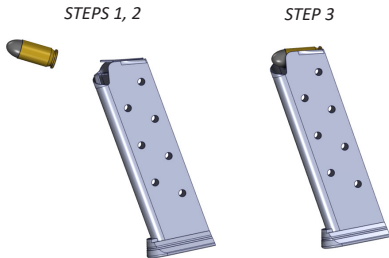


3.3 LOADING THE MAGAZINE

NOTE

Ensure that the magazine is the proper type and caliber for the pistol.

1. Press down on the magazine follower by using the cartridge case rim. Ensure that the bullet is facing the front of the magazine.
2. Push the cartridge to the rear and under the magazine lips.
3. Repeat until the magazine holds the desired number of cartridges or is full. Do not attempt to insert more cartridges than the magazine's designed capacity.



3.4 LOADING THE PISTOL

1. Point pistol in a safe direction.
2. Fully retract the slide and lock it to the rear by pushing up on the slide stop lever.
3. Visually and physically inspect the chamber to ensure that it is clear.
4. Inspect breech face and magazine well for any foreign debris.





3.4 LOADING THE PISTOL - CONTINUED

5. Insert a loaded magazine, pushing it up into the grip until it locks in place. You should hear an audible click.
6. Release the slide by either:
 - a. Pressing down on the slide stop lever, releasing the slide forward and chambering a cartridge.
 - b. Pulling back on the slide until the magazine catch drops clear of the slide then releasing it to chamber a cartridge. Do not ride the slide forward. Failure to properly complete step b may induce a stoppage.



WARNING LOADED PISTOL



THE PISTOL IS NOW LOADED AND READY TO FIRE

3.5 RELOADING DURING SHOOTING

When the last cartridge in the magazine is expended, the slide will be locked back in the open position by the slide stop lever.

1. Press the magazine catch to eject the empty magazine.





3.5 RELOADING DURING SHOOTING - CONTINUED

2. Insert a loaded magazine, making sure it is locked into the grip.
3. Release the slide by either:
 - a. Pressing down on the slide stop lever
 - b. Pulling back on the slide and releasing



WARNING LOADED PISTOL



THE PISTOL IS NOW LOADED AND READY TO FIRE

4.0 FIRING



WARNING LOADED PISTOL



DO NOT TOUCH THE TRIGGER UNTIL YOU ARE ACTUALLY READY TO FIRE THE PISTOL.

Keep the muzzle pointed in a safe direction and your finger off of the trigger and out of the trigger guard when cycling the slide.

Never fire any firearm with your finger, hand, face, or other part of your body over or adjacent to the ejection port, or in any position where you may be struck by reciprocating movement of the slide. Both the ejection of empty cartridge cases and the movement of the slide are part of the normal operating cycle of pistols and pose no safety hazard to the shooter if the firearm is held in a normal grip and fired at arm's length.

Never allow other persons to stand beside you where they might be struck by an ejected cartridge case. The case is hot, and may be ejected with sufficient force to cause a burn, cut, or other injury. Wear safety glasses to protect your eyes. Make certain that there is a clear, unobstructed path for safe ejection of the fired case. Remember, the case might bounce off a hard object nearby and strike you or someone else.



WARNING STOPPAGE



STOP SHOOTING IMMEDIATELY! UNLOAD AND CLEAR THE FIREARM.

If, while shooting, your firearm develops a stoppage or binding, or “spits” powder or gas, or if a cartridge primer is punctured, or a cartridge case is bulged or ruptured, or if the report on firing does not sound quite right, stop shooting immediately! It may be dangerous to continue. Unload and clear the firearm—do not try “one more shot.” Take the firearm and the ammunition to a gunsmith for examination.

4.1 CLEARING A STOPPAGE

While shooting the pistol, an unfired cartridge or fired cartridge case may occasionally become jammed between the slide and the barrel. WHILE KEEPING THE MUZZLE POINTED IN A SAFE DIRECTION, clear the stoppage as follows:

1. Keep muzzle pointed in a safe direction.
2. Press magazine catch and remove magazine.
3. Pull back slide and lock it to the rear by pushing up on the slide stop lever.
4. Dislodge any expended casings or live cartridges from the pistol.
5. Visually and physically inspect the chamber and breech face to make sure the pistol is cleared.

**WARNING EJECTION**

THE SLIDE OPENS AND SHUTS QUICKLY WHILE FIRING. KEEP FACE AND HANDS AWAY FROM IT. HOT BRASS AND POWDER GAS IS EJECTED QUICKLY AND CAN BURN YOU. ALWAYS WEAR SAFETY GLASSES AND HEARING PROTECTORS.

4.2 FIRING THE PISTOL

1. Aim the pistol at a safe target and disengage manual safety if so equipped.
2. Place finger on the trigger and press trigger to discharge.
3. Keep pistol aimed at the target and continue to fire as desired or until the magazine is empty.





4.2 FIRING THE PISTOL - CONTINUED

4. Remove the magazine, unload and clear the pistol, as described in Section 5.0 “Unloading the Pistol.” If you fire the pistol until the magazine is empty, the slide will remain locked to the rear. If you want to continue firing, reload the pistol, as described in Section 3.5 “Reloading During Shooting.”



5.0 UNLOADING THE PISTOL

When there is a live cartridge in the chamber, the cartridge will discharge if the trigger is pressed. It is absolutely essential for you to know how to completely unload the pistol. "Completely" means emptying the magazine and removing a chambered cartridge.



WARNING UNLOAD/CLEAR



REMOVING THE MAGAZINE FROM THE PISTOL DOES NOT PREVENT IT FROM BEING FIRED. PISTOL WILL FIRE A CHAMBERED CARTRIDGE EVEN WITH MAGAZINE REMOVED.

1. Always make sure the muzzle is pointed in a safe direction. Remember to clear the chamber after the magazine has been removed.
2. Never assume that any firearm is unloaded until you have personally checked it, visually and physically.
3. After every range session, make a final check to be certain the firearm is unloaded before leaving the range.



5.1 UNLOADING THE PISTOL (MAGAZINE NOT EMPTY)

1. Keep the muzzle pointed in a safe direction.
2. Press the magazine catch and remove the magazine.
3. Pull the slide completely to the rear while watching for the ejection of a live cartridge. Push up on slide stop lever, locking the slide open.
4. Visually and physically check the chamber, magazine well, and breech face to ensure that the pistol is completely free of ammunition.
5. Press the slide stop lever, causing the slide to close.
6. Unload the magazine.

NOTE

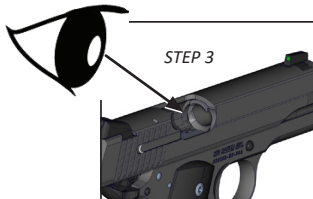
For Steps 2 through 5, refer to the illustration on the next page.





5.2 UNLOADING THE PISTOL (MAGAZINE EMPTY, SLIDE OPEN)

1. Keep the muzzle pointed in a safe direction.
2. Press the magazine catch and remove the magazine.
3. Visually and physically check the chamber to ensure that the pistol is completely free of ammunition.
4. Press the slide stop lever, causing the slide to close.



6.0 PROCEDURES IN CASE OF A STOPPAGE

Follow the immediate action procedures if:

- You notice that a cartridge is difficult to chamber.
- A cartridge does not fire.
- The extractor fails to extract a fired cartridge case.
- You discover unburned grains of propellant powder spilled in the frame assembly.
- A shot sounds or feels weak or abnormal.



WARNING STOPPAGE



LIVE ROUND MAY NOT EJECT. UNLOAD/CLEAR PISTOL

Firearms work reliably if properly maintained. If there is a stoppage during firing:

1. Keep the pistol pointed in a safe direction with your finger off the trigger.
2. Remove and secure the magazine.
3. Cycle the slide rearward and forward to clear any live cartridge or expended case in or near the chamber. Visually and physically inspect the breech face and chamber.
4. If you suspect that a bullet is lodged in the bore, field strip your pistol and check to see if the barrel is blocked. If there is a bullet lodged in the bore, return the pistol to SIG SAUER (see Section 10.3 “Shipping Firearms for Repair”).



WARNING STOPPAGE



IF A BULLET IS IN THE BORE, DO NOT ATTEMPT TO SHOOT IT OUT BY USING ANOTHER CARTRIDGE, OR BY BLOWING IT OUT WITH A BLANK OR A CARTRIDGE FROM WHICH THE BULLET HAS BEEN REMOVED. THIS CAN GENERATE EXCESSIVE PRESSURE, DAMAGE THE FIREARM AND CAUSE SERIOUS PERSONAL INJURY OR DEATH TO YOURSELF OR OTHERS.

6.1 TROUBLESHOOTING GUIDE

Stoppage	Cause	Correction
<i>Failure to Feed</i>		
No round fed into the chamber	Magazine not properly inserted or magazine is deformed or dirty	Insert magazine properly or change magazine
Slide does not close easily or completely	Pistol or cartridge is fouled (dirty) or pistol is too heavily lubricated	Clean and lubricate pistol and/or replace the ammunition
	Incorrect ammunition	Replace ammunition
	Pistol requires service	Return to SIG SAUER

Stoppage	Cause	Correction
<i>Failure to Extract or Eject</i>		
After firing, the case stays in the chamber or is jammed in the ejection port	Insufficient recoil due to dirt	Clean and lubricate the pistol
	Light hold or limp wrist	Solid grip, rigid hold
	Low-powered ammunition	Change ammunition
	Pistol requires service	Return to SIG SAUER
<i>Failure to Fire</i>		
Trigger is fully pressed but round does not fire	Faulty ammunition	Manually cycle in next round
	Hammer obstructed	Inspect, clean, and lubricate the pistol
	Pistol requires service	Return to SIG SAUER
<i>Dead Trigger/Cannot Insert Magazine (After Reassembly)</i>		
Cannot seat magazine in magazine well.	Improper assembly of slide to receiver (slide stop incorrectly positioned).	<ol style="list-style-type: none"> 1. Lock slide to rear with slide stop lever. 2. Press slide stop lever to release slide forward. 3. Insert magazine.



6.2 MINIMIZING STOPPAGES

Stoppages can largely be avoided by cleaning and lubricating the pistol (see Section 7.3 “Cleaning the 1911 Pistol”).

- After each firing session
- Whenever a buildup of firing residue is suspected
- Whenever the pistol is exposed to extreme environmental conditions (rain, snow, freezing temperatures, etc.)



WARNING COOK-OFF



IF YOUR PISTOL STOPS FIRING WITH A LIVE ROUND IN THE CHAMBER OF A HOT BARREL (A MISFIRE OR STOPPAGE), REMOVE THE ROUND IMMEDIATELY. IF YOU CANNOT REMOVE THE ROUND WITHIN 10 SECONDS, REMOVE THE MAGAZINE AND WAIT AT LEAST 15 MINUTES WITH THE PISTOL POINTING IN A SAFE DIRECTION. THIS WAY, NEITHER THE USER NOR ANY OTHER PERSON WOULD BE INJURED BY THE POSSIBILITY OF A ROUND “COOKING-OFF” (A ROUND DETONATING DUE TO THE HEAT OF THE BARREL). KEEP YOUR FACE AWAY FROM THE EJECTION PORT WHILE CLEARING A HOT CHAMBER.

7.0 MAINTENANCE



WARNING UNLOAD/CLEAR



VERIFY THAT THE MAGAZINE IS REMOVED, VISUALLY AND PHYSICALLY CONFIRM THE PISTOL IS UNLOADED AND CLEARED BEFORE ATTEMPTING DISASSEMBLY OR PERFORMING ANY MAINTENANCE STEPS. FAILURE TO ENSURE THE FIREARM IS UNLOADED AND CLEARED COULD RESULT IN UNINTENTIONAL DISCHARGE, CAUSING SEVERE INJURY OR DEATH, OR PROPERTY DAMAGE. VERIFY THE FIREARM IS UNLOADED AND CLEARED.

7.1 PISTOL DISASSEMBLY

1. Unload /clear the pistol (see Section 5.0 “Unloading the Pistol”).

NOTE

For Steps 2 through 5, refer to the illustration on the next two pages.



WARNING PARTS UNDER SPRING TENSION



RECOIL SPRING PLUG IS UNDER SPRING TENSION. MAINTAIN POSITIVE CONTROL DURING REMOVAL TO PREVENT DAMAGE OR INJURY. WEAR EYE PROTECTION

2. Retract the slide approximately $\frac{1}{4}$ inch. Press down on the recoil spring plug while rotating the barrel bushing clockwise $\frac{1}{4}$ turn.

STEP 2



3. Maintain control of the recoil spring plug and allow the spring to fully extend. Remove the plug from the spring. If it's not already, manually cock the hammer.
4. Pull the slide to the rear, and align the lug of the slide stop with the disassembly notch on the slide.



STEP 3



STEP 4



5. Push the slide stop out of the frame from right to left.
6. Grasp the slide assembly and pull it forward off of the frame. Maintain grip on the spring guide.



STEP 5



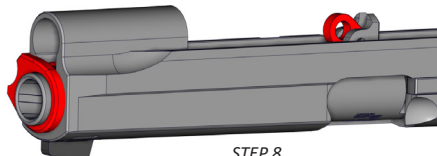
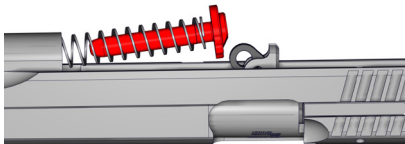
STEP 6

CAUTION

DO NOT DRY FIRE THE TRIGGER AND HAMMER WITH THE SLIDE REMOVED. THIS WILL CAUSE DAMAGE TO THE REAR OF THE FRAME.

7. Remove the recoil spring guide and spring by pulling it up and over the barrel link.
8. Rotate the barrel bushing counterclockwise and remove it from the slide. Rotate the barrel link forward.

STEP 7



STEP 8



9. Lift the barrel from the locking lug recesses and pull the barrel forward out of the slide.



NOTE

This level of disassembly is sufficient to allow a thorough cleaning after firing.

7.2 MAGAZINE DISASSEMBLY

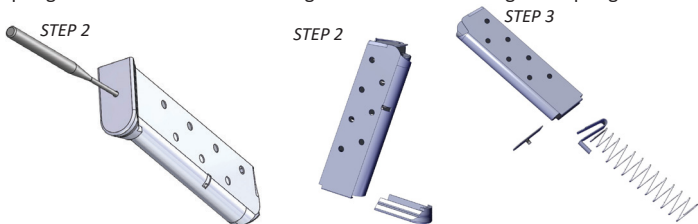
**WARNING PARTS UNDER SPRING TENSION**

THE MAGAZINE SPRING IS COMPRESSED. UNCONTROLLED RELEASE CAN CAUSE INJURY. WEAR EYE PROTECTION.

NOTE

Not all 1911 magazines can be disassembled. Some are welded and should not be disassembled except by a certified Armorer.

1. Locate the bottom of the magazine floorplate.
2. Using a punch or similar tool, push the tab of the insert forward, then down, to release the floorplate.
3. Slide the spring insert out to remove the magazine follower and magazine spring from the magazine tube.





7.3 CLEANING THE 1911 PISTOL



WARNING CLEANING



**READ AND FOLLOW THE MANUFACTURER'S WARNINGS BEFORE USING SOLVENTS OR CLEANERS.
WEAR EYE PROTECTION.**

CAUTION

NEVER CLEAN THE BARREL FROM THE MUZZLE END; DO NOT USE A STEEL WIRE BRUSH AS IT CAN DAMAGE THE SMOOTH SURFACE OF THE BARREL. USE A SUITABLE CLEANING ROD AND BRONZE BRUSH OF THE CORRECT CALIBER. SOLVENTS CAN BE HARMFUL TO THE SURFACE FINISH OF THE PISTOL. AVOID OVER-LUBRICATION OF COMPONENTS.

MATERIALS REQUIRED

- Cleaning patches
- Rag, wiping
- Bore brush of the proper caliber
- Cleaning rod
- CLP (Cleaning, Lubricant, Protective)
- Lubricant, Low Temperature when applicable
- Brush, cleaning

The following instructions are for normal environmental conditions. Clean and lube before or after every day the pistol is fired or at a minimum of every 500 rounds.

SLIDE ASSEMBLY

1. Remove all of the old lubricant before you reapply.
2. Clean the slide assembly with a cloth. A soft brush and CLP can be used to clean excessive dirt and carbon buildup. Ensure the extractor, rail slots and breech face are free of dirt and residue.
3. Apply a light coat of CLP to the frame rail slots of the slide.
4. Lightly oil all external parts.

BARREL

1. Soak a patch with CLP and push it through the bore from the chamber end and out past the muzzle.
2. Allow the CLP to soak for a while to loosen residue and soften carbon deposits.
3. Wipe the exterior of the barrel with a cloth soaked in CLP.
4. Repeat step #1.
5. Use the bore brush and a cleaning rod to scrub heavy deposits from the bore.
6. Repeat step #1.
7. Push dry patches through the bore until they come out clean.
8. Lightly oil bore and chamber if the pistol is to be stored for a period of time.
9. Always remove any lubricant from the bore prior to firing the pistol.



7.3 CLEANING THE 1911 PISTOL – CONTINUED

RECOIL SPRING AND GUIDE ASSEMBLY

1. Clean the recoil spring guide assembly with CLP and a soft brush.
2. Clean recoil spring with a soft cloth lightly coated in CLP.
3. After cleaning, apply a light coat of CLP.

FRAME ASSEMBLY

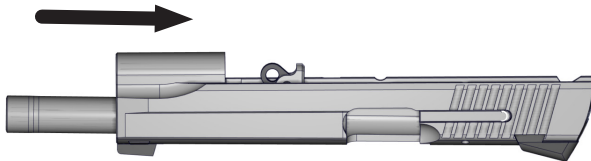
1. Wipe the frame assembly with a soft cloth.
2. Use cotton swabs to clean hard to reach areas. Pay special attention to the frame rails.
3. Lubricate the frame rails with a light coat of CLP.
4. Apply CLP to accessible functioning parts.
5. Clean the magazine well of any dirt, dust or residue with a soft cloth.

MAGAZINE

1. Wipe the magazine tube and follower with a cloth. Clean the magazine tube and follower with a soft brush and CLP.
2. Use a cloth to clean the magazine spring, floorplate, and base plate.
3. Apply a light coat of CLP to the spring and magazine tube.

7.4 PISTOL ASSEMBLY

1. Verify that the pistol is clear of all foreign matter.
2. Rotate the barrel link forward and insert the barrel back into the slide.



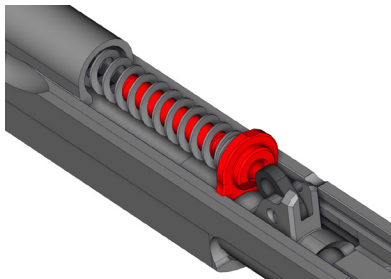
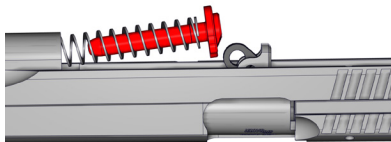


7.4 PISTOL ASSEMBLY - CONTINUED

3. Place the barrel bushing over the end of the barrel and rotate it clockwise.



4. Insert the recoil spring guide into the recoil spring. Assemble the spring and guide into the slide.





7.4 PISTOL ASSEMBLY - CONTINUED

5. Hammer should still be cocked. It is not recommended to dry fire without the slide as this will cause damage to the frame.



6. Align the rails on the frame with the slots on the slide and push the slide onto the frame.



7. Push the slide rearward until you can see the barrel link through the slide stop hole on the left side of the frame.



8. Insert the slide stop shaft through the frame, so it passes through the barrel link.





7.4 PISTOL ASSEMBLY - CONTINUED

9. Align the disassembly notch on the slide and push the slide stop the remaining way into the frame.



**WARNING PARTS UNDER SPRING TENSION**

RECOIL SPRING PLUG IS UNDER SPRING TENSION. MAINTAIN POSITIVE CONTROL DURING REMOVAL TO PREVENT DAMAGE OR INJURY. WEAR EYE PROTECTION

10. Slide the recoil spring plug over the end of the recoil spring. Push the slide back about ¼ inch. Press the plug into the slide until it is flush with the face of the slide.





7.4 PISTOL ASSEMBLY - CONTINUED

11. Rotate the bushing counterclockwise until the plug snaps into place and is secured by the bushing.



7.5 MAGAZINE ASSEMBLY

1. Slide the follower up into the magazine body.

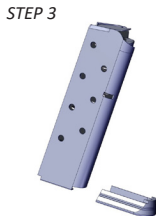
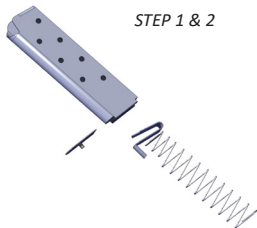


WARNING PARTS UNDER SPRING TENSION



THE MAGAZINE SPRING IS BEING COMPRESSED DURING ASSEMBLY. GUARD THE MAGAZINE INSERT AND MAGAZINE SPRING TO CONTROL MAGAZINE SPRING TENSION. UNCONTROLLED RELEASE CAN CAUSE INJURY. WEAR EYE PROTECTION.

2. Insert the magazine spring fully into the magazine tube slide in the magazine insert until the magazine insert is flush with the magazine tube bottom.
3. Holding the magazine insert in place, slide the magazine floorplate onto the magazine tube lips until the magazine floorplate is locked in place by the magazine insert.





7.6 FUNCTION VERIFICATION

The function check is performed on the assembled pistol to verify functionality. It should be performed after the completion of repairs and after each cleaning and assembly of the pistol.



WARNING UNLOAD/CLEAR



VERIFY THE MAGAZINE IS REMOVED. VISUALLY AND PHYSICALLY CONFIRM THE PISTOL IS UNLOADED AND CLEARED BEFORE ATTEMPTING DISASSEMBLY OR PERFORMING ANY MAINTENANCE STEPS. FAILURE TO ENSURE THE FIREARM IS UNLOADED AND CLEARED COULD RESULT IN UNINTENTIONAL DISCHARGE, CAUSING SEVERE INJURY OR DEATH, OR PROPERTY DAMAGE. VERIFY THE FIREARM IS UNLOADED AND CLEARED.

1. Ensure the magazine is removed and the pistol is unloaded and cleared (see Section 5.0 “Unloading the Pistol”).
2. Check recoil spring function/slide travel.
 - a. Retract the slide fully and release.
 - b. Verify the slide locks fully in the closed position.
 - c. Repeat the procedure.
3. Check the trigger mechanism:
 - a. Press the trigger fully to the rear.
 - b. As the trigger is pressed rearward the hammer is released.



4. Check slide stop lever.
 - a. Insert an empty magazine.
 - b. Retract the slide fully and release.
 - c. Verify the slide is locked to the rear by the slide stop lever.
 - d. Press the slide stop lever.
 - e. Verify the slide is released and closes in the locked position.
 - f. Remove the magazine.

NOTE

For Step 4a through 4f, refer to the illustrations on the next page.



7.6 FUNCTION VERIFICATION - CONTINUED

STEPS 4a, 4b, 4c



STEPS 4d, 4e

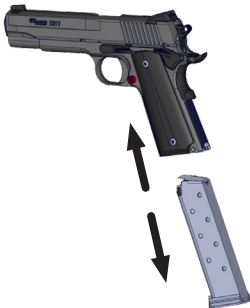


STEP 4f



5. Inspect the magazine.
 - a. Check the condition of the magazine tube.
 - b. Verify the magazine floorplate is secure.
 - c. Check for free movement of the magazine follower and spring.
 - d. Insert the magazine into the pistol and remove. Verify smooth insertion. Check the magazine catch for clean engagement and smooth release.

STEP 5d





7.6 FUNCTION VERIFICATION - CONTINUED

6. Inspect the pistol exterior.
 - a. Inspect the general condition of the pistol
 - b. Check the sights, body, slide, and slide stop lever for damage.
 - c. Verify the front and rear sights are secure.

CAUTION

NEVER USE A FIREARM OR MAGAZINE THAT SHOWS SIGNS OF DAMAGE OR FAILS A FUNCTION CHECK. VERIFY THE MAGAZINE IS THE CORRECT MODEL AND CALIBER FOR THE PISTOL. IF THE CONDITION OR FUNCTION OF THE PISTOL OR MAGAZINE IS SUSPECT, RETURN THE PISTOL OR MAGAZINE TO SIG SAUER FOR EVALUATION. VERIFY THE CONDITION AND FUNCTION.

8.0 SIGHTS

**WARNING TRITIUM SIGHTS**

SOME SIG SAUER PISTOLS COME EQUIPPED WITH SIGHTS THAT CONTAIN RADIOACTIVE MATERIAL FOR ILLUMINATION DURING LOW LIGHT CONDITIONS OR HOURS OF DARKNESS. THE SIGHTS ARE MARKED WITH THE LETTERS "SIG" AND "H3." THE RADIATION SOURCE IS HYDROGEN-3 (H₃), COMMONLY KNOWN AS TRITIUM. THE ACTIVITY LEVEL OF TRITIUM IN SIG SAUER NIGHT SIGHTS RANGE FROM 12 MCI (MILLICURIES) TO 30 MCI. THE OPERATIONAL TEMPERATURE RANGE OF SIG SAUER TRITIUM SIGHTS IS $-30^{\circ}\text{C}/-22^{\circ}\text{F}$ TO $+60^{\circ}\text{C}/+140^{\circ}\text{F}$. THE BETA RADIATION EMITTED BY TRITIUM IS ONLY A HAZARD IF THE TRITIUM VIAL IS BROKEN AND IS INGESTED OR INHALED BY HUMANS. THE BODY DOES NOT EASILY RETAIN HYDROGEN OR TRITIUM AS A GAS. HOWEVER, THE OXIDE HTO, WHICH IS FORMED BY THE BURNING OF TRITIUM IS 10,000 TIMES MORE HAZARDOUS. FOR THIS REASON GREAT CARE SHOULD BE TAKEN TO AVOID FLAME IN THE PRESENCE OF DAMAGED TRITIUM SIGHTS. DISPOSAL OF TRITIUM SIGHTS MUST BE PERFORMED IN A CONTROLLED MANNER. IF YOU SUSPECT THAT THE SIGHT CONTAINING A TRITIUM VIAL HAS BROKEN, DO NOT ATTEMPT TO DISASSEMBLE THE SIGHT. FOLLOW THESE INSTRUCTIONS.



DAMAGED SIGHTS ONLY (SIGHTS REMOVED FROM FIREARM):

PLACE DAMAGED SIGHTS IN A SMALL ZIP LOCK BAG AND LABEL IT “DAMAGED TRITIUM SIGHT DO NOT OPEN,” PLACE THE ZIP LOCK BAG IN A SHIPPING ENVELOPE MARKED “NIGHT SIGHT FOR DISPOSAL” AND SEND TO:

**SIG SAUER, INC.
357 SIG SAUER DRIVE
JACKSONVILLE, AR 72076**

SLIDE WITH DAMAGED SIGHTS:

CALL CUSTOMER SERVICE AT (603) 610-3000 EXT.1 FOR INSTRUCTIONS AND RETURN AUTHORIZATION.



WARNING TRITIUM SIGHTS



DO NOT DISCARD TRITIUM SIGHTS IN THE TRASH

AFTER CONTACT WITH A SUSPECTED DAMAGED TRITIUM SIGHT, WASH YOUR HANDS CAREFULLY WITH SOAP AND WATER. DO NOT HANDLE DAMAGED SIGHTS IF YOU HAVE OPEN SKIN CUTS OR ABRASIONS. DO NOT EAT, DRINK, SMOKE OR APPLY COSMETICS IN THE PRESENCE OF A DEFECTIVE SIGHT VIAL.

8.1 GENERAL INFORMATION

The SIG SAUER 1911 pistol is equipped with drift adjustable fixed sights which have proven their worth under severe conditions. The sights consist of a rear sight and a front sight blade, designed and dimensioned to ensure rapid target acquisition even when visibility is poor.

CAUTION

SIG SAUER SUGGESTS THAT FIXED-SIGHT CORRECTIONS SHOULD BE PERFORMED ONLY BY A CERTIFIED SIG SAUER ARMORER OR CERTIFIED GUNSMITH. OTHERWISE THE PISTOL COULD BECOME DAMAGED.

NOTE

For SIG SAUER ELECTRO-OPTICS adjustments please see the operators manual for your specific sight. If you need a copy you can download operators manuals from the sigsauer.com website.



9.0 STORAGE AND TRANSPORTATION

9.1 STORAGE



WARNING UNLOAD/CLEAR



YOU MUST UNLOAD AND CLEAR THE FIREARM PRIOR TO STORING THE PISTOL (SEE SECTION 5.0).

Never place or store any firearm in such a manner that it may be dislodged. Firearms should always be stored securely and unloaded, away from children and other unauthorized users. Use the locking device originally supplied with this firearm for storage. The use of a locking device or safety lock is only one aspect of responsible firearms storage. For increased safety, firearms should be stored unloaded and locked in a location that is both separate from their ammunition and inaccessible to children and any other unauthorized person.

Short-Term Storage (90 days or less)

1. Ensure that the chamber and magazine do not contain live ammunition.
2. Clean the bore and chamber.
3. Apply a light coat of CLP to the chamber and bore.
4. Apply a light coat of CLP to all other metal surfaces for corrosion protection.

Long-Term Storage (90 days or longer)

1. Ensure that the pistol is thoroughly cleaned.
2. Apply a heavy coat of CLP to the chamber and bore.
3. Apply a heavy coat of CLP to all other metal surfaces for corrosion protection.
4. Wrap the firearm with a waterproof material (MIL-B-121 or similar).
5. Place the firearm in a corrosion resistant barrier bag (MIL-DTL-117 or similar).

Environmental Storage

Provide humidity control to limit the relative humidity to no greater than 40% RH at 80 degrees Fahrenheit (26.7 degrees Celsius). If personnel will be working in these areas, design to 68 degrees F (20.0 degrees C) dry bulb and 40% RH for indoor design heating conditions, and 75 degrees F (23.9 deg C) dry bulb and 40% RH for indoor design cooling conditions.



9.2 TRANSPORTATION



WARNING UNLOAD/CLEAR



**YOU MUST UNLOAD AND CLEAR THE FIREARM PRIOR TO TRANSPORTING THE PISTOL
(SEE SECTION 5.0).**

IT IS YOUR RESPONSIBILITY TO FAMILIARIZE YOURSELF WITH THE LAWS OF ANY STATE YOU ARE PLANNING TO TRAVEL THROUGH WITH YOUR FIREARM.

When transporting your firearm to and from shooting activities, keep it unloaded for your safety and for the safety of others. When storing your firearm for transportation, keep it separated from ammunition, under lock and key if possible, and out of the reach of children and other inexperienced or unauthorized persons.

If transporting the firearm in a vehicle, ensure that it is secured within the confines of the vehicle. Should the vehicle become involved in an accident, you do not want the firearm to become dislodged and move about the interior of the vehicle or be ejected from the vehicle.

10.0 SERVICE AND PARTS POLICY

10.1 PARTS POLICY



WARNING PARTS REPLACEMENT

IMPROPER FITTING OF PARTS MAY RESULT IN A DANGEROUS MALFUNCTION, DAMAGE TO THE FIREARM, AND SERIOUS INJURY TO THE SHOOTER AND OTHER PERSONS.

Our Service Department maintains a full complement of replacement parts. Even though most gunsmiths have the knowledge, training, and the ability to make necessary repairs to your firearm, the skill and workmanship of any particular gunsmith is totally beyond our control.

Should your firearm ever require service, we strongly recommend that you return it to SIG SAUER. A firearm is a precision instrument and some replacement parts will require individual fitting to ensure correct operation.

A wrong part, improper fitting, or incorrect mechanical adjustment may result in an unsafe condition or dangerous malfunction, damage to the firearm, or cause possible serious injury to the shooter or others.

IF ANY PART IS ORDERED WITHOUT RETURNING THE FIREARM TO SIG SAUER INC., the customer bears full responsibility for ensuring that the part supplied is correct for their particular firearm and is properly installed and fitted by a qualified gunsmith.

It is the purchaser's responsibility to be absolutely certain that any parts ordered from the factory are correctly fitted and installed. Firearms are complicated mechanisms and the purchaser and installer of parts must accept full responsibility for the correct adjustment and functioning of the firearm after such installation. SIG SAUER IS NOT RESPONSIBLE FOR THE FUNCTIONING OF ANY FIREARM IN WHICH REPLACEMENT PARTS ARE INSTALLED BY OTHERS.



10.2 SERVICE POLICY

If you have questions concerning the performance or servicing of your firearm, please write or call:

SIG SAUER, Inc.
Attention: Customer Service
18 Industrial Drive, Exeter, NH 03833
Phone: (603) 610-3000 ext. 1
Fax: (603) 766-7002

IF YOU DO NOT UNDERSTAND THE INSTRUCTIONS FOR OPERATING YOUR PISTOL, IT IS YOUR RESPONSIBILITY TO CALL OUR CUSTOMER SERVICE DEPARTMENT AT (603) 610-3000 EXT. 1 BEFORE USING YOUR FIREARM.

10.3 SHIPPING FIREARMS FOR REPAIR



WARNING DO NOT SHIP AMMUNITION



In the event that you need to return your firearm to the SIG SAUER Service Department, here's what to do:

1. Contact Customer Service at (603) 610-3000 ext. 1 for a return merchandise authorization (RMA) number, which will allow SIG SAUER to track the status of your return from its receipt at SIG SAUER through its return to you. Please do not send your firearm until you obtain an RMA number.
2. Make sure that the chamber and magazine(s) are unloaded and that no ammunition is included with your returned firearm.
3. Package the firearm securely to prevent damage. Enclose a letter that includes your name, street address, daytime phone number, model and serial number, and a detailed description of the problem you have experienced or the work that you want performed. With the exception of extra magazines, do not include any other accessories such as scopes or mounts.
4. Generally, an individual may ship firearms to the manufacturer for repair or service. Some states and localities, however, prohibit this. If you live in such an area, the firearms must be shipped by and returned to a federally licensed firearms dealer.
5. Federal law prohibits persons who do not possess a Federal Firearms License (FFL) from shipping a firearm via the U.S. Postal Service. (Note: any shipment of firearms outside U.S. borders is subject to the export laws of the United States and to the valid laws of the specific country, which you must strictly follow; prior to exporting any firearm you should seek legal counsel.)



6. SIG SAUER is not responsible for any firearm until it is received, nor for damage incurred during shipment.
7. Ship your firearms insured and prepaid (we do not accept collect shipments) to:

SIG SAUER, Inc.
Attention: Service Department
18 Industrial Drive Exeter, NH 03833

Don't forget to write your RMA number on the package.

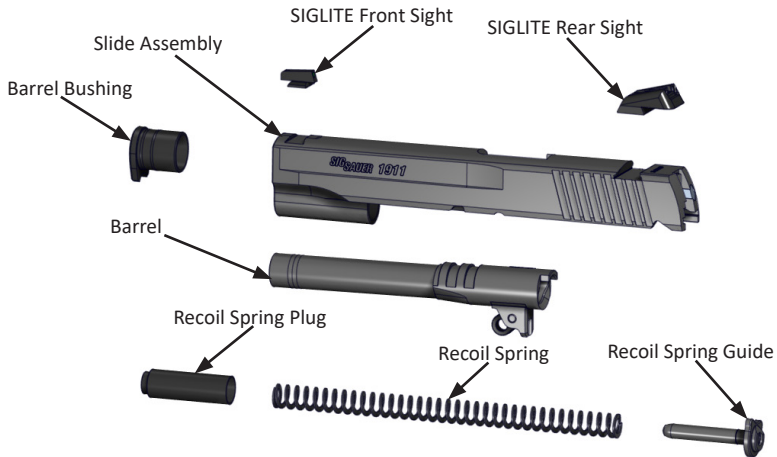
A copy of this instruction manual should always accompany this pistol and be transferred with it upon change of ownership.

THIS PAGE INTENTIONALLY LEFT BLANK

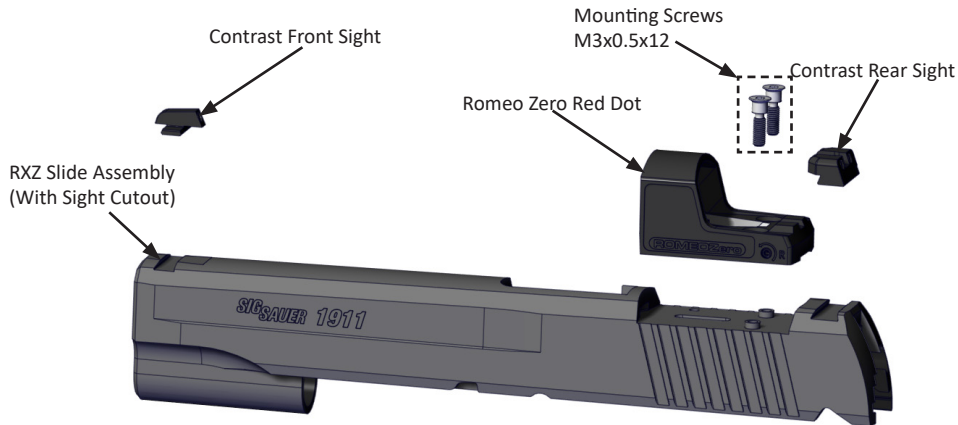


11.0 PARTS DIAGRAMS

11.1 STANDARD SLIDE PARTS



11.2 RXZ SLIDE PARTS (ROMEO ZERO)





11.3 GRIP PARTS



THIS PAGE INTENTIONALLY LEFT BLANK



SIG SAUER® Firearms Limited Lifetime Warranty

SIG SAUER warrants that the enclosed firearm was originally manufactured free of defects in material, workmanship, and mechanical function. For the lifetime of the original purchaser, SIG SAUER agrees to correct any defect in the firearm for the original purchaser by repair, adjustment, or replacement, at SIG SAUER's option, with the same or comparable quality components (or by replacing the firearm at SIG SAUER's option); provided however that a Return Merchandise Authorization (RMA) is first obtained by contacting SIG SAUER Customer Service, and the firearm is returned unloaded and freight prepaid to:

SIG SAUER
18 Industrial Drive,
Exeter, NH 03833.

This limited warranty is null and void if the firearm has been misused, damaged (by accident or otherwise), fired with handloaded, reloaded, or improper ammunition, fired with an obstruction in the barrel, damaged through failure to provide reasonable and necessary maintenance as described in the manual accompanying the firearm, or if unauthorized repair or any alteration, including of a cosmetic nature, has been performed on the firearm. This limited warranty does not apply to normal wear and tear of any parts.

Subject to the foregoing, this limited warranty confers the right to have the covered firearm or its parts repaired, adjusted, or replaced exclusively upon the original purchaser, which right is not transferable to any other person. This warranty does not apply to any accessory items attached or appurtenant to the firearm.

ANY WARRANTIES IMPLIED BY LAW, INCLUDING ANY IMPLIED WARRANTIES OF MERCHANTABILITY OR FITNESS FOR A PARTICULAR PURPOSE, ARE EXPRESSLY DISCLAIMED. REPAIR, ALTERATION, OR REPLACEMENT AS PROVIDED HEREIN IS YOUR EXCLUSIVE REMEDY FOR ANY DEFECTIVE PRODUCT. IN NO EVENT SHALL SIG SAUER OR ANY COMPANY AFFILIATED WITH SIG SAUER BE LIABLE FOR ANY SPECIAL, INCIDENTAL, OR CONSEQUENTIAL DAMAGES OF ANY KIND ARISING OUT OF THE PURCHASE OR USE OF THIS PRODUCT, WHETHER BASED UPON CONTRACT, TORT, STATUTE, OR OTHERWISE.

Some states do not allow the exclusion or limitation of implied warranties, or the exclusion or limitation of incidental or consequential damages, so some or all of the above limitations or exclusions may not apply to you. This warranty gives you specific legal rights, and you may also have other rights which vary from State to State.

THIS WARRANTY APPLIES TO U.S. COMMERCIAL CUSTOMERS ONLY, AND DOES NOT APPLY TO GOVERNMENT, MILITARY, LAW ENFORCEMENT, OR NON-US CUSTOMERS. NON-US CUSTOMERS SHOULD CONTACT THEIR LOCAL DEALER OR DISTRIBUTOR FOR APPLICABLE WARRANTY COVERAGE.

SIG SAUER[®]

sigsauer.com

SIG SAUER, Inc.
72 Pease Boulevard, Newington, NH 03801 USA

All trademarks, service marks, trade names, trade dress, product names and logos appearing in this manual are the property of their respective owners. No trademark or service mark appearing in this manual may be used without written consent of the mark's owner.