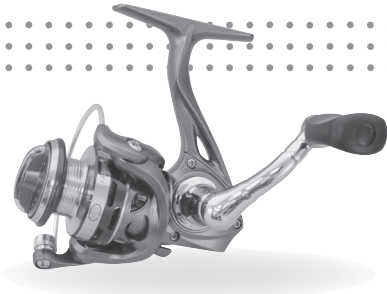




LLS50, LLS75, LLS100



Speed Spin® reels are designed to be Lighter, *Faster* and **Stronger**

*Driven by innovation* – Fueled with Passion  
**Feel the Difference!**



### Reel Specifications

Model	Weight (oz.)	Ball Bearings	Gear Ratio	Line Capacity (yd./lb.)	IPT
LLS50	4.9	6 +1	5.0:1	120/4	21"
LLS75	5.0	6 +1	5.0:1	160/4	22"
LLS100	7.8	6 +1	5.1:1	160/6	23.5"

#### FEATURES:

- Rugged, lightweight graphite body
- Premium 7-bearing system with steel ball bearings and Zero-Reverse one-way clutch bearing
- Graphite skeletal rotor
- Double anodized aluminum spool
- Fold down handle with SoftTouch knob
- Adjustable for right or left hand retrieve
- Lightweight and balanced aluminum bail
- Precision cut solid brass pinion gear
- Oversized multi-disc drag system for smooth performance
- Speed Lube™ for exceptional smoothness and uninterrupted performance in all weather conditions from extreme heat to freezing cold

**7 Bearing System**



### Maintenance and Care

While applying lubricant to your Laser® Lite Speed Spin® reel, avoid using multi-purpose oil. Use lightweight silicone based oils or greases made for fishing reels. Apply oil to all bearings and the shaft. Apply grease to the bushings, pinion gear, drive gear, and oscillation gear.

After usage your reel should be inspected for dirt or sand and cleaned if excessive buildup is present. If your reel has come in contact with saltwater it is important to flush all parts with water, dry and re-lubricate your reel. Through diligent cleaning and maintenance your Lew's® reel will provide you with years of reliability and sound performance.

### One Year Limited Warranty

Lew's® Warrants its products<sup>1</sup> to withstand normal<sup>2</sup> use for the purpose designed and intended when manufactured for a period of one (1) year from the original retail sale date to the original retail consumer. Lew's® will at its option repair or replace<sup>3</sup> Lew's® products when required for the warranty period and return<sup>4</sup> the product to the owner at no additional<sup>5</sup> cost to the owner.

<sup>1</sup>Numerous products have been manufactured under variations of the Lew's® name and under the Lew's® Logo by multiple businesses over the past 50 years. This warranty is specifically for products manufactured on behalf of Lew's® of Springfield, Missouri, USA since January 1, 2010. Lew's® products manufactured by or on behalf of other entities prior to January 1, 2010 are not covered by this warranty. In all circumstances, this Warranty is Limited in Value to the original retail value of the product and is limited to actual damage to the Lew's® product and only the Lew's® product. <sup>2</sup>Loss of a product, and loss/damage of a product or parts due to the attempted repair or servicing of a Lew's® product by any person or business other than Lew's® or Lew's® Authorized Warranty Service Agent, and damage caused by or resulting from abuse, misuse, lack of recommended maintenance, accident, acts of God, and shipping damages occurring in transit to Lew's® or Lew's® Authorized Agent are outside the scope of Lew's® Limited Warranty and will be repaired through Lew's® after warranty services at the expense of the consumer. <sup>3</sup>Any products replaced by Lew's® will be new or remanufactured by a Lew's® Authorized Agent with the same or next model upgrade product. <sup>4</sup>Lew's® will return warranted products to the consumer by reasonable means as determined by Lew's®. <sup>5</sup>Express or expedited services are the responsibility of the consumer as is sending the product to Lew's® or Lew's® Authorized Agent, for Warranty Service. Lew's® and Lew's® Service Agents as authorized by Lew's® are the sole agents authorized to repair or replace Lew's® products under the terms of this warranty. Only written changes by an officer of Lew's® can alter the terms or conditions of this warranty.

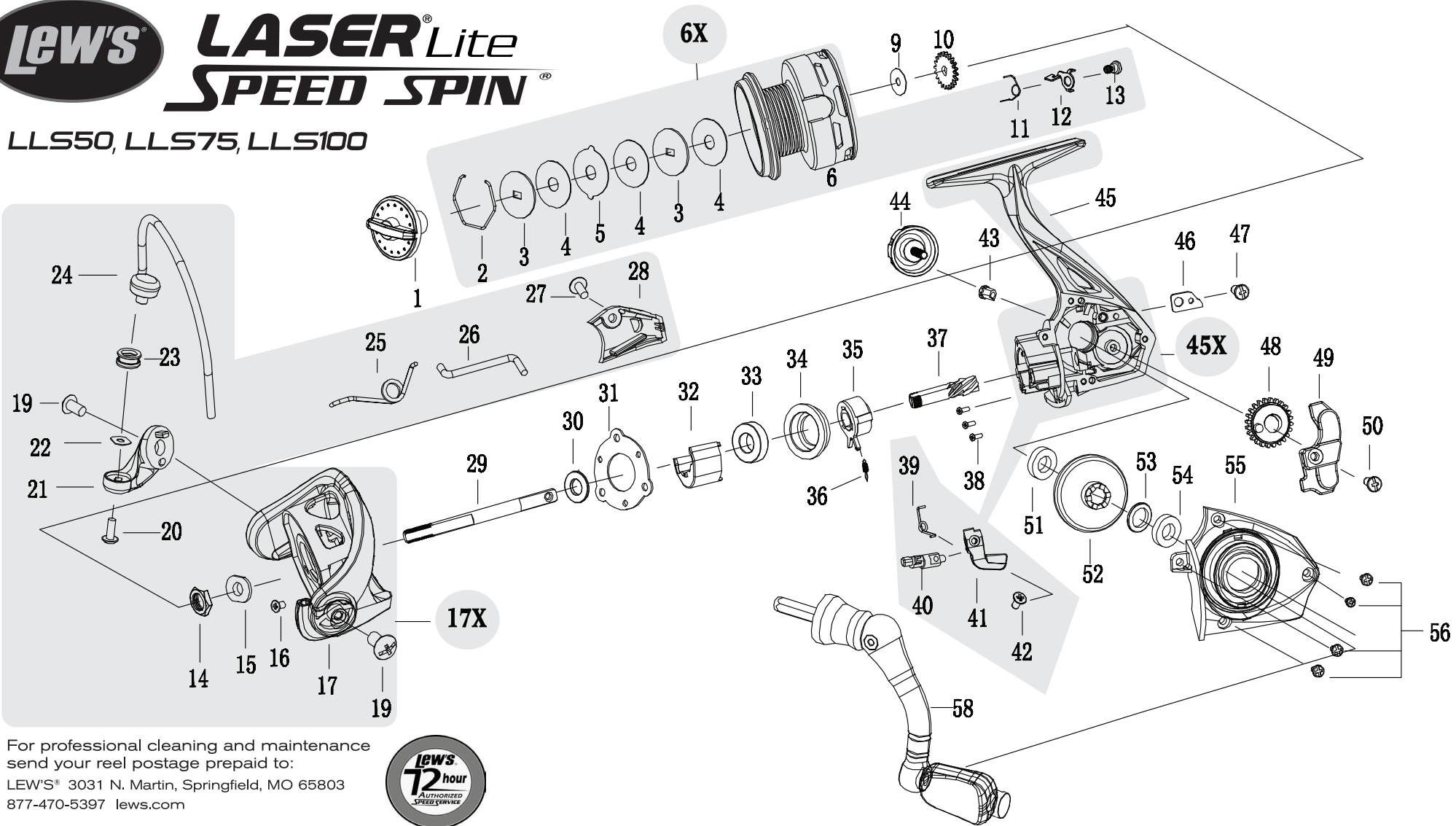
This warranty gives you specific legal rights including additional rights extended by some states which do not allow certain exclusions and limitations. Any action brought against Lew's® for the purpose of settling a warranty dispute shall be brought and litigated in the State of Missouri, County of Greene.

Lew's® 3031 N. Martin, Springfield, MO 65803  
Phone: 877-470-5397 FAX: 1-417-881-5387



# LASER<sup>®</sup> Lite SPEED SPIN<sup>®</sup>

LLS50, LLS75, LLS100



For professional cleaning and maintenance  
send your reel postage prepaid to:  
LEW'S® 3031 N. Martin, Springfield, MO 65803  
877-470-5397 lews.com



KEY NO.	PART NAMES	KEY NO.	PART NAMES	KEY NO.	PART NAMES	KEY NO.	PART NAMES	KEY NO.	PART NAMES	KEY NO.	PART NAMES
1	DRAG KNOB	12	CLICKER	22	WASHER	32	OUTTER RING	42	SCREW	52	MAIN GEAR
2	CLIP	13	SCREW	23	LINE ROLLER	33	BALL BEARING	43	SCREW	53	WASHER
3	KEY WASHER	14	NUT	24	BAIL ARM SET	34	BALL BEARING KEEPER	44	HANDLE CAP	54	BALL BEARING
4	DRAG WASHER	15	WASHER	25	SPRING	35	ONE-WAY CLUTCH	45	BODY	55	BODY COVER
5	EARED WASHER	16	SCREW	26	KICK LEVER	36	SPRING	46	BALANCE SLIDER	56	SCREW
6	SPOOL	17	ROTOR	27	SCREW	37	PINION GEAR	47	SCREW	57	BODY CAP
<b>6X</b>	<b>SPOOL ASSEMBLY</b>	<b>17X</b>	<b>ROTOR HEAD ASSEMBLY</b>	28	ARM LEVER CAP	38	SCREW	48	GEAR	58	HANDLE
9	WASHER	19	SCREW	29	MAIN SHAFT	39	ANTI-REVERSE SPRING	49	SLIDER		
10	CLICK GEAR	20	SCREW	30	WASHER	40	ANTI-REVERSE SHAFT	50	SCREW		
11	SPRING	21	ARM LEVER	31	COVER PLATE	41	ANTI-REVERSE SWITCH	51	BALL BEARING		