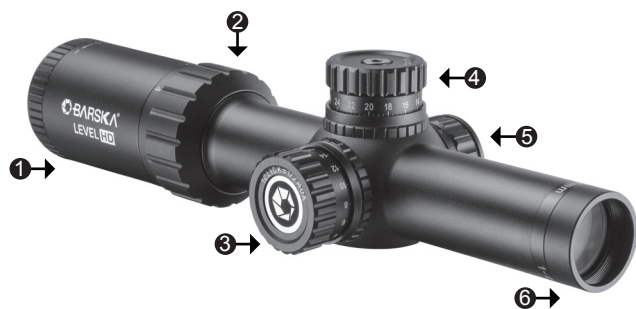


BARSKA® LEVEL HD™ Riflescope Manual



Parts of the Scope

1. Eyepiece
2. Zoom Ring
3. Windage Adjustment (side)
4. Elevation Adjustment (top)
5. Rheostat and Battery Compartment
6. Objective Lens



WARNING

BE CERTAIN THAT YOUR FIREARM IS NOT LOADED AND POINTED AWAY FROM YOU IN A SAFE DIRECTION

DIRECTLY VIEWING THE SUN OR ANY LIGHT SOURCE WITH THIS OPTICAL DEVICE CAN CAUSE PERMANENT EYE DAMAGE.

Use safe gun handling procedures at all times.

ATTENTION: All shooting should be done in an approved range and in a safe area and that eye and ear protection is used

DANGER: If you used a bore sighting collimator or another bore obstructing device, remove it before proceeding. If the barrel has been drilled for a mount, ensure that the screws do not obstruct the bore. Do not fire live or even blank ammunition with an obstructed barrel as any obstruction can cause serious damage to the gun and the possible injury to yourself and other people around you.

Focusing

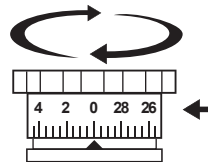
1. Hold the scope about 3 to 4 inches (8 to 12cm) away from your eye and look through the eyepiece until you see the full field of view.
2. If image isn't sharp first adjust the zoom until image is clear. After image is clear if reticle is blurry then adjust the eyepiece focus until both the reticle and image is clear.

Mounting

1. Make sure you have the appropriate rail for your rifle, if not your firearms dealer will assist you.
2. Place and secure the scope onto the mount ring. (Not Included). Once you have fitted the scope to your desired position, tighten the mount ring down onto the rail.

Pre-Zeroing

1. Pre-zeroing sighting can be done with scope guide or a bore sight which can be obtained from your firearms dealer.
2. With scope mounted set zoom to mid power and rest the rifle on a steady support.
3. Look through the bore from the breech at a target 50 yards away. Move to butt stock so that the target is in the center of the bore.
4. Without moving the rifle, turn the windage and elevation adjustment dials with fingers in the direction you wish the bullet's point-of-impact to change. (up/down, left/right)



Note: If a large amount of windage and elevation adjustments are needed to bore sight, make half of the scales available adjustments at a time for the windage and elevation.

Boresighting

Bore sighting your riflescope with your rifle will allow you to quickly and more accurately "zero in" or "sight in" your riflescope to the correct shooting distance. You will always need to shoot a test group of shots after you bore sight your rifles to your rifle. Bore sighting your riflescope will reduce wasting ammunition when targeting in your rifle during test shooting.

Example: You have a newly mounted zoom power riflescope on a rifle and aim at a target 100 yards away. You aim for the center of the target with the scope and fire for the first time, but you see no impact on the target in the view of the scope. If you were not able to see where the bullet actually landed then you would need to guess how you need to adjust the scopes windage and elevation on the next shot. You would need to continue shooting multiple test shots and adjusting the scope until the actual impact of the bullet comes into view of the scope. This will waste time and ammunition.

Why does this happen? A newly mounted riflescope's actual zero point on a rifle is unknown due to many variables; type of scope base, height of mounting rings, type of rifle, type of ammunition etc.

Zeroing

Set scope zoom to the max power, and adjust the windage and elevation knobs as needed to correct the aim.

After zeroing in your scope (point of impact matches the center of scope sight.) You can follow Re-zeroing procedure to set turrets back to zero.

Each click adjustment of the windage and elevation changes/moves the bullet strikes by the amount in chart below

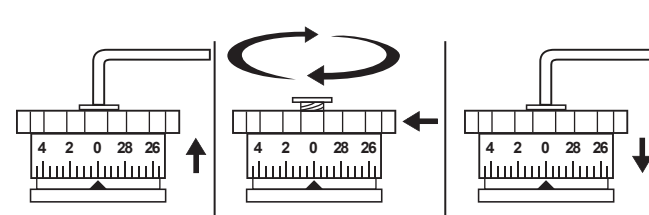
1/2" MOA

Windage / Elevation (inches per click or movement)			
50yds	100yds	200yds	300yds
1/4"	1/2"	1"	3/2"

Re-Zeroing

Re-zeroing scale back to zero is optional and should only be done after zeroing in your scope.

1. Use an allen wrench to gently loosen the screw to disconnect the turret from the drum inside. DO NOT remove screw. Pull the turret cap gently all the way up to disconnect it from the drum inside.
2. Turn the turret cap to reset the scale to zero.
3. Gently push the turret cap down to lock it in place. Use an allen wrench to gently tighten the screw to connect the turret to the drum inside.
4. Your scale is now re-zeroed.



Illuminated HRS Quick Shot .223/5.56 IR Reticle

The reticle is spaced out according to yardage. Zero in the scope at 100yds @ 4x magnification. The Center dot will be 100yds, the bottom of the horse shoe is 200yds, the 2nd dot is set at 300yds, The 3rd dot is set at 400yds, and the last dot on the bottom is set at 500yds. This scope is designed for .223/5.56 calibers. Practice shooting at different distances to figure out which dot to aim target at.