

# OWNER'S MANUAL



888.836.2620 | [WWW.BLACKRAINORDNANCE.COM](http://WWW.BLACKRAINORDNANCE.COM)

On behalf of our staff, we appreciate your interest in **Black Rain Ordnance, Inc.**<sup>®</sup>, and the purchase of your new rifle. We strive to only manufacture the highest quality firearms, made of only the best materials available. We know you will enjoy your new rifle, as we have enjoyed making it for you.

Export of the commodities described herein is strictly prohibited without a valid export license by the U.S. Department of State, Office of Defense, Trade Controls, prescribed in the International Traffic in Arms Regulation (ITAR), Title 22, Code of Federal Regulations, part 120-130.

Sincerely,

The staff at **Black Rain Ordnance, Inc.**<sup>®</sup>



**WWW.BLACKRAINORDNANCE.COM**  
**888.836.2620**

# SERIAL NUMBER INFORMATION

1

Model Number: \_\_\_\_\_

Caliber: \_\_\_\_\_

Record the serial number of your **Black Rain Ordnance, Inc.**<sup>®</sup> rifle!

Serial #: \_\_\_\_\_

(When holding the rifle, the serial number is located on the left side of the lower receiver, engraved on the magazine well just under the model name.)

Description of Firearm: \_\_\_\_\_

\_\_\_\_\_

**Black Rain Ordnance, Inc.**<sup>®</sup> authorized dealer in which the rifle was purchased:

\_\_\_\_\_



[WWW.BLACKRAINORDNANCE.COM](http://WWW.BLACKRAINORDNANCE.COM)  
888.836.2620

Make a copy of this operations manual (or print it from our website) and proof of purchase/ sales record. Maintain these items in a secure safe or fireproof container. These materials will be necessary if the firearm is damaged, stolen, or returned to **Black Rain Ordnance, Inc.**<sup>®</sup> for warranty or repair.

(Attach original proof of purchase here)



[WWW.BLACKRAINORDNANCE.COM](http://WWW.BLACKRAINORDNANCE.COM)  
888.836.2620

# TABLE OF CONTENTS

Firearm Serial Number Recording		Cleaning The Upper Receiver _____	23
Data Sheet _____	1-2	Cleaning The Lower Receiver _____	24
Table Of Contents _____	3	Cleaning The Bolt Group _____	25
Warnings _____	4	Lubrication _____	26-27
General Handling Caution _____	5-6	Unusual Conditions _____	28
Notice _____	7	Gas Block Tuning Procedure _____	29-30
Use Of Safety Selector _____	8	Troubleshooting _____	31-32
Function Check _____	9	Warnings, Modifications, Problems, & Returns _____	33
Safety Features _____	10	Ammunition Warning _____	34
Loading A Magazine _____	11	Warranty _____	35-36
Loading The Rifle _____	12	Warranty Registration Card _____	37
Unloading The Rifle _____	13		
Clearing The Rifle _____	14		
Barrel Break In Procedure _____	15		
Firing The Rifle _____	16		
Maintenance _____	17-21		
General Cleaning _____	22		



**! WARNING!** IF THIS FIREARM IS CARELESSLY OR IMPROPERLY HANDLED, UNINTENTIONAL DISCHARGE COULD RESULT AND COULD CAUSE INJURY, DEATH, OR DAMAGE TO PROPERTY.

**! CAUTION!** CAREFULLY READ THIS INSTRUCTION MANUAL PRIOR TO LOADING AND FIRING THIS FIREARM. FOLLOW ALL INSTRUCTIONS ON THE PROPER HANDLING AND SAFE USE OF THIS FIREARM. If unfamiliar with firearms, seek further advice through safe handling courses offered by your local gun clubs/ranges, NRA approved instructor, or similar qualified organizations.

**! CAUTION!** USE ONLY CLEAN, DRY, HIGH QUALITY, COMMERCIALY MANUFACTURED AMMUNITION IN GOOD CONDITION - The majority of the rifles produced by Black Rain Ordnance, Inc. are chambered in 5.56mm NATO but will also shoot .223. However, **Black Rain Ordnance, Inc.**<sup>®</sup> manufacturers rifles in various other calibers covered by this manual including but not limited to, 6.5mm, 6.8spc, 308, etc. See website for further details on caliber. We do not recommend the use of steel cased, lacquer-coated, or hand loaded ammunition because it may damage your rifle and will void your warranty.

## **PRACTICE SAFE FIREARM HANDLING!**

### **FUNDAMENTAL RULES FOR SAFE GUN HANDLING**

- 1.) ALWAYS KEEP THE GUN POINTED IN A SAFE DIRECTION**
- 2.) NEVER LOAD THE GUN UNTIL YOU'RE READY TO USE IT**
- 3.) KEEP YOUR FINGER OFF THE TRIGGER UNTIL READY TO SHOOT**



**WWW.BLACKRAINORDNANCE.COM**  
**888.836.2620**

# WARNING! GENERAL HANDLING CAUTION

5

Be sure the cam pin is installed in the bolt group. If it isn't your rifle can still fire but it could possibly explode causing you personal injury or harm.

This rifle was not designed to be used with a blank firing device – It will not cycle properly.

If your rifle stops firing with a live round in the chamber (ie. Click but no bang) remove the magazine and wait 15 minutes **with the rifle pointing in a safe direction** before attempting to unload. Examine the back of the round for a primer indentation. If the indent is light, misaligned, or non-existent, have your rifle inspected by a qualified gunsmith. If the indent appears normal as compared to previously fired rounds, properly dispose of the misfired round and resume firing. Faulty ammunition may be the cause.

If your bolt fails to unlock from the chamber and you have a round stuck in the chamber, pull back on the charging handle. If the bolt won't open, see website for malfunction clearance procedures.

Do not attempt to fire the gun if there is anything obstructing the barrel. (ie. Water, mud, snow, etc.)

If you hear a noticeable difference in sound when firing (ie. A pop rather than the usual bang), **STOP SHOOTING!** Pull the bolt carrier out of the gun and look down the bore **from the rear end of the gun** for any obstructions. If you can't see daylight through the barrel you will have to take the gun to a qualified gunsmith for proper removal of a stuck bullet.

Do not exchange or switch bolt assemblies from one gun to another. It could cause injury to you, others, or permanently damage the rifle.



[WWW.BLACKRAINORDNANCE.COM](http://WWW.BLACKRAINORDNANCE.COM)  
888.836.2620

# GENERAL HANDLING CAUTIONS

6

1. Do not alter or modify your **Black Rain Ordnance, Inc.**<sup>®</sup> rifle and have it serviced/cleaned every 700-1000 rounds.
2. Always handle your rifle as if it is loaded.
3. Never point your rifle at anything you don't intend to shoot.
4. Always ensure your rifle is unloaded with the bolt latched open to the rear before laying it down or handing it to someone else.
5. Never leave a loaded firearm unattended.
6. Always be sure the bore, muzzle, chamber and action are clear of obstructions.
7. Always make sure ammunition is clean and undamaged before loading.
8. Never consume alcohol or drugs before or during shooting.
9. Always wear eye and ear protection when shooting.
10. Always keep the rifle on "SAFE" when it is loaded and only take it off "SAFE" when ready to fire.
11. Never attempt to fire if there is water in the bore.
12. Never engage in "horseplay" when holding or operating your rifle.



**WWW.BLACKRAINORDNANCE.COM**  
**888.836.2620**



# NOTICE

7

**Black Rain Ordnance, Inc.**® shall not be responsible for personal injury, death, or damage to property resulting from either intentional or accidental discharge of this firearm, or from its function when used for purposes or subjected to treatment for which it was not designed. **Black Rain Ordnance, Inc.**® will not honor claims involving this firearm which result from careless or improper handling, unauthorized adjustment or parts replacement, corrosion, neglect, or the use of wrong caliber ammunition or any combination thereof. Only the use of commercially manufactured, high quality, brass cased, ammunition, in good condition will uphold the warranty. **Black Rain Ordnance, Inc.**® will not honor claims involving this firearm for any reason or cause when the second or subsequent owner makes such claims. Before the rifle left the factory, it was safety checked, tested, carefully inspected, and packaged. **Black Rain Ordnance, Inc.**® cannot control product handling after it leaves the factory; therefore please examine this firearm carefully at the time of purchase to ensure that it is unloaded, undamaged, and comes with all parts and accessories as advertised on our website.



[WWW.BLACKRAINORDNANCE.COM](http://WWW.BLACKRAINORDNANCE.COM)  
888.836.2620

# USE OF THE SAFETY SELECTOR

8

A selector lever, located on the left lower receiver, has three marked positions, "SAFE", "FIRE" and "AUTO". When set to "SAFE" the internal part of the safety selector blocks the travel of the trigger, preventing the hammer from being released. When set to "FIRE" the rifle will fire a single shot each time the trigger is depressed. Also sometimes referred to as semi-automatic. The "AUTO" position is reserved for LE/MIL use only, and all NFA rules and regulations must apply!



## "SAFE"

Rifle will not fire. Selector lever cannot be on safe unless rifle is cocked. Always place on safe when loading and unloading.



## "FIRE"

Rifle will fire one round each time the trigger is depressed.



## "AUTO"

Rifle will fire continually until either the trigger is no longer depressed or the weapon is empty.



[WWW.BLACKRAINORDNANCE.COM](http://WWW.BLACKRAINORDNANCE.COM)  
888.836.2620

# FUNCTION CHECK

9

**Safe Note: Remove the magazine, make sure your rifle is unloaded, and the chamber is clear of any rounds before proceeding!** Point the rifle in a safe direction. Pull the charging handle to the rear and release. Place on safe, pull the trigger. The hammer should not fall. If it does, contact **Black Rain Ordnance, Inc.**® immediately!

**Fire Note: Remove the magazine, make sure your rifle is unloaded, and the chamber is clear of any rounds before proceeding!** Point the rifle in a safe direction. Place the selector on fire, pull the trigger and hold to the rear. The hammer should fall. Pull the charging handle to the rear and release. Release the trigger and pull again. Hammer should fall (an audible "click" will be heard).



[WWW.BLACKRAINORDNANCE.COM](http://WWW.BLACKRAINORDNANCE.COM)  
888.836.2620

# SAFETY FEATURES

## ***Disconnecter***

The disconnector, (a part of the firing mechanism), prevents the firearm from firing full automatic. As the hammer is cocked after each shot the disconnector holds the hammer until the trigger is released. When the trigger is released, retention of the hammer passes from the disconnector to the trigger, making it ready for the next shot.

## ***Firing Pin Collar***

The bolt carrier assembly, located within the upper receiver, is designed to prevent the firing pin from striking a cartridge until the bolt is locked into the barrel. In short, it separates the firing controls from the firing pin when the bolt carrier is not locked in battery. This eliminates the possibility of an out of battery discharge caused by the hammer striking the firing pin prematurely.



# LOADING A MAGAZINE

11

1. **Use only ammunition for which your rifle is chambered.**
2. With the front of the magazine pointing forward, place a round between the lips (bullet facing forward). Press the round down until it is retained by the magazine lips. It will “click” into place. Place the next round on top of the last and repeat until the desired number of rounds are loaded. **Do not over load the magazine!**



[WWW.BLACKRAINORDNANCE.COM](http://WWW.BLACKRAINORDNANCE.COM)  
888.836.2620

# LOADING THE RIFLE

1. Press the bottom of the bolt catch in while pulling all the way back on the charging handle. When the bolt travels far enough to the rear, the bolt catch will click into place and hold the bolt open.
2. Push the charging handle to its full forward position until it locks in place. Remove finger from the bolt catch.
3. Rotate safety selector to the "SAFE" position.
4. With the bullets pointing forward, insert the loaded magazine into the magazine well and push it up until it stops. It should click in place. If not then take 2 rounds out of the magazine and repeat. Gently tug on the magazine to make sure it is fully seated.
5. With the rifle pointed in a safe direction, press in on the top of the bolt catch. This will release the bolt, and insert a round in the chamber. Check to make sure the bolt fully engaged the chamber by pushing the forward assist button.
6. You can now close the ejection port cover to keep dust out of the upper receiver.



Make sure the rifle is pointed in a safe direction and the safety is engaged at all times while loading/unloading the rifle. NEVER allow your fingers or any other objects to contact the trigger while loading/unloading the rifle. Do NOT disengage the safety until you are ready to fire and have pointed the rifle safely down range.



[WWW.BLACKRAINORDNANCE.COM](http://WWW.BLACKRAINORDNANCE.COM)  
888.836.2620

# UNLOADING THE RIFLE

13

1. Set the safety selector to the "SAFE" position.
2. Press the magazine catch button and remove the magazine.
3. Pull the charging handle to the rear and push in the lower portion of the bolt catch. If a round had been in the chamber it should have been ejected.

(If the same operation was performed with an empty magazine, the bolt would have automatically locked in the rearward position without the bolt catch being operated externally).



[WWW.BLACKRAINORDNANCE.COM](http://WWW.BLACKRAINORDNANCE.COM)  
888.836.2620

## CLEARING THE RIFLE

Clearing the rifle is the exact same operation as unloading it, except the bolt catch is engaged during the clearing operation to show an empty chamber. If you are going to set your rifle on a table or bench, lay it down with the ejection port side facing up, magazine removed, and bolt locked to the rear.



[WWW.BLACKRAINORDNANCE.COM](http://WWW.BLACKRAINORDNANCE.COM)  
888.836.2620



# BARREL BREAK IN PROCEDURE

15

A break in process must be performed on all new **Black Rain Ordnance, Inc.**® rifles. This procedure will maintain the rifle's lifetime accuracy potential. The break in process burnishes or seasons the barrel which will enhance your rifle's accuracy if done properly. We do not recommend using non-jacketed lead bullets for this procedure. We recommend using Otis brand patches because they can be pulled from the chamber to the muzzle. They also have 3 cuts in the patches so you can loop them around your cleaning loop. Full metal jacket or copper jacketed bullets are preferred with a brass casing (**DO NOT USE STEEL CASED AMMUNITION! It will void your warranty.**)

## ITEMS NEEDED

- 20 Factory loaded rounds of ammunition
- **Black Rain Ordnance, Inc.**® 2 oz, Premium Gun Oil & Lubricant
- Cleaning patches
- Cleaning rod
- Nylon bore brush
- **Black Rain Ordnance, Inc.**® 2 oz. Premium Cleaner & Solvent
- Latex or nitrile gloves
- Eye and ear protection

Fire 10 single shots, 5 minutes apart per shot, cleaning the bore between each round fired.

Fire 2 rounds (10 shots total), 5 minutes apart per shot set, cleaning the bore between each shot set.

The process will take about 90 minutes to complete and the barrel will be properly seasoned.



[WWW.BLACKRAINORDNANCE.COM](http://WWW.BLACKRAINORDNANCE.COM)  
888.836.2620

# STOP!

You must read and understand the barrel break in procedure in the previous section first.

## Firing the Rifle

**Never load a cartridge into the chamber until you are ready to fire the rifle.**

DO NOT disengage the safety until the rifle is pointed in a safe direction and you are ready to fire.

**Always wear eye and ear protection when firing your rifle!**

1. Load the rifle as previously described
2. Grasp the rifle with one hand on the forend and one hand alongside the trigger guard
3. Raise the rifle and pull the butt stock firmly into your shoulder
4. Aim by aligning the target with the front and rear sights
5. Rotate the safety selector lever to "FIRE"
6. Gently squeeze the trigger until the rifle discharges (This rifle is a semi automatic, meaning that it will automatically load the next round in the chamber. It will only fire one shot for each pull of the trigger)
7. When you are finished shooting, **immediately place the rifle on "SAFE"**



**WWW.BLACKRAINORDNANCE.COM**  
**888.836.2620**

# MAINTENANCE

17

## ***Field Stripping/Disassembly***

1. Press the take down pin in from the left side of the lower receiver. (It may be necessary to use a polymer takedown punch as the fit between upper/lower is tighter than standard AR-type rifles.
2. Pivot the lower receiver down, away from the upper receiver.
3. Press the front pivot pin in from the left, and then pull it out the right side until it stops.
4. You can now separate the upper and lower receivers.
5. Pull the charging handle to the rear, and pull the bolt carrier completely out (Pictured).
6. Remove the charging handle by pulling it back until it stops in the key way, pull it straight down, then out of the receiver.



**WWW.BLACKRAINORDNANCE.COM**  
**888.836.2620**

# MAINTENANCE

18

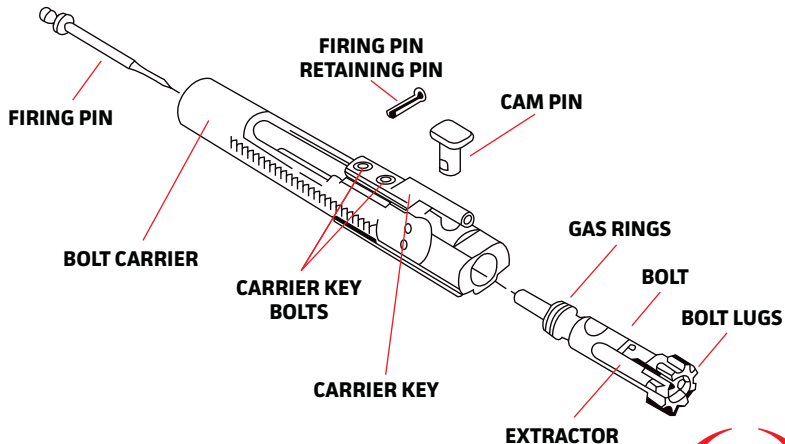
## ***Bolt Disassembly***

1. Using a 1/16" punch, push in the firing pin retaining pin right to left and pull it completely out.
2. Tilt the bolt face up and remove the firing pin. (You may need to tap the bottom of the bolt carrier on a hard surface to start the firing pin moving rearward).
3. Push the bolt into the carrier until it stops. Turn the cam pin 90° and lift it out of the slot.
4. Pull the bolt forward out of the carrier. The bolt is now field stripped.



[WWW.BLACKRAINORDNANCE.COM](http://WWW.BLACKRAINORDNANCE.COM)  
888.836.2620

# BOLT & CARRIER DIAGRAM



# BUFFER REMOVAL

20

1. Depress buffer into tube (maintain constant pressure)
2. Depress buffer tube retainer and gently allow the buffer and spring to fully decompress
3. Remove buffer and spring from the tube



[WWW.BLACKRAINORDNANCE.COM](http://WWW.BLACKRAINORDNANCE.COM)  
888.836.2620

# STOP!

Further disassembly should only be performed by the factory.  
(**Black Rain Ordnance, Inc.**<sup>®</sup>)

Note: Do not strip your rifle further than previously described. If additional maintenance is necessary, consult a qualified gunsmith or **Black Rain Ordnance, Inc.**<sup>®</sup>

Your rifle is now field stripped for cleaning.

We recommend using **Black Rain Ordnance, Inc.**<sup>®</sup> cleaning products in the care and maintenance of your new rifle.



[WWW.BLACKRAINORDNANCE.COM](http://WWW.BLACKRAINORDNANCE.COM)  
888.836.2620

# GENERAL CLEANING

22

## Items needed:

- Cleaning patches
- **Black Rain Ordnance, Inc.**® Premium Gun Oil & Lubricant
- Cleaning rod with soft brush
- Toothbrush or parts brush
- **Black Rain Ordnance, Inc.**® Premium Cleaner & Solvent
- Rags or paper towels
- Newspaper or a solvent mat
- Latex/Nitrile gloves
- Q-tips for tight areas
- Gas tube pipe cleaners

## Lead Warning:

Cleaning firearms or handling ammunition may result in exposure to lead and other substances known to cause birth defects, reproductive harm, and other serious physical injury. Wash hands thoroughly with cold water after cleaning your rifle.



[WWW.BLACKRAINORDNANCE.COM](http://WWW.BLACKRAINORDNANCE.COM)  
888.836.2620



# CLEANING THE UPPER RECEIVER

23



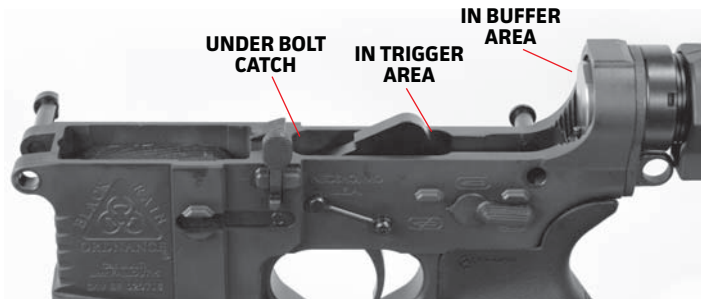
Clean the areas shown in the above picture. Be sure to use a coated cleaning rod when cleaning the barrel to prevent damage. Pull a few wet patches through, then dry ones until they come out clean. Avoid using abrasive brushes.



[WWW.BLACKRAINORDNANCE.COM](http://WWW.BLACKRAINORDNANCE.COM)  
888.836.2620

# CLEANING THE LOWER RECEIVER

24



Be sure to clean any area that shows carbon build up. When cleaning the buffer tube area be sure to wipe down the buffer and spring.



[WWW.BLACKRAINORDNANCE.COM](http://WWW.BLACKRAINORDNANCE.COM)  
888.836.2620

# CLEANING THE BOLT GROUP

## Bolt Group:

- Clean the outside and inside surfaces of the bolt carrier.
- Clean the carrier key, firing pin, and firing pin recess.
- Clean the firing pin hole with a pipe cleaner
- Scrub the locking lugs with a brush to remove carbon.
- Areas behind the bolt ring and under the extractor lip.
- Clean carbon build up from all small parts

See diagram on pg. 19 for bolt parts. Make sure to remove any carbon build up from behind the gas rings. Also check to make sure the gas rings are evenly spaced. If not, spread them apart equally with a dental pick or paper clip.



[WWW.BLACKRAINORDNANCE.COM](http://WWW.BLACKRAINORDNANCE.COM)  
888.836.2620

# UPPER RECEIVER ASSEMBLY LUBRICATION

Lightly Lube with **Black Rain Ordnance, Inc.**® Premium Gun Oil and Lubricant:

- Bore and chamber.
- Inside upper receiver rails where the bolt contacts
- Outside of charging handle and inside where bolt carrier rides
- Outside surfaces of bolt carrier
- Firing pin and inside of firing pin recess
- Place one drop of oil in carrier key recess

Generously Lube with **Black Rain Ordnance, Inc.**® Premium Gun Oil and Lubricant:

- Outer surface of bolt body including gas rings
- Cam pin



[WWW.BLACKRAINORDNANCE.COM](http://WWW.BLACKRAINORDNANCE.COM)  
888.836.2620

## LOWER RECEIVER LUBRICATION

Lightly Lube with **Black Rain Ordnance, Inc.**® Premium Gun Oil and Lubricant:

- Action, Spring, Buffer, and Buffer Tube

Generously Lube with **Black Rain Ordnance, Inc.**® Premium Gun Oil and Lubricant:

- Place one drop of oil on the takedown pin and pivot pin
- Lube the inside lower receiver parts

Inspect all parts for wear or damage before assembling. If any parts show wear or damage, contact **Black Rain Ordnance, Inc.**®



[WWW.BLACKRAINORDNANCE.COM](http://WWW.BLACKRAINORDNANCE.COM)  
888.836.2620

# UNUSUAL CONDITIONS

28

## Extreme Cold:

- Keep the rifle as moisture free as possible
- Clean the rifle after every shooting session (carbon attracts moisture)
- Apply a very thin coat of **Black Rain Ordnance, Inc.**® Premium Gun Oil & Lubricant to all parts (thin enough to cook off in the first few rounds of firing)

## Hot, Dry, Dusty/Sandy Conditions:

- Clean the rifle more frequently
- Inspect inside of action for dust/sand and remove
- Keep ejection port cover door closed as much as possible
- Apply a very thin coat of **Black Rain Ordnance, Inc.**® Premium Gun Oil & Lubricant to all parts (thin enough to cook off in the first few rounds of firing)

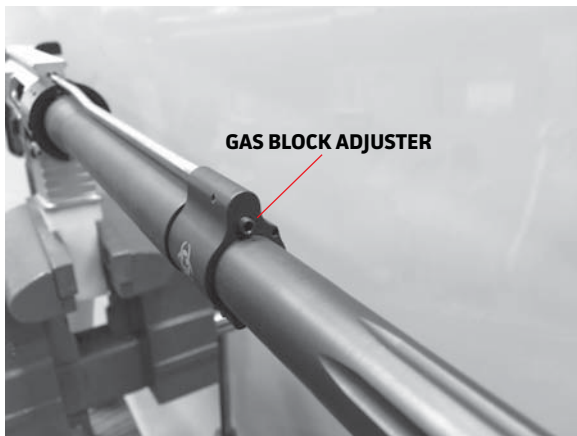


[WWW.BLACKRAINORDNANCE.COM](http://WWW.BLACKRAINORDNANCE.COM)  
888.836.2620

# BLACK RAIN RIFLE GAS BLOCK TUNING PROCEDURE

29

If your rifle is having cycling issues this may be due to excessive or insufficient gas pressure due to variations in ammo manufacturing.



STEP 1. If your rifle is equipped with an adjustable gas block there will be a small allen head adjuster located on the front of the gas block. Your hand guard may need to be removed for access to allen head adjuster.

CONTINUED ON NEXT PAGE



[WWW.BLACKRAINORDNANCE.COM](http://WWW.BLACKRAINORDNANCE.COM)  
888.836.2620

# BLACK RAIN RIFLE GAS BLOCK TUNING PROCEDURE cont.

30

STEP 2. Using a 5/64 allen wrench, turning the adjuster clockwise closes the gas off and turning the adjuster counter clockwise will open the gas up.

## HOW TO DETERMINE PROPER GAS PRESSURE

STEP 1. Start by closing adjuster completely and then opening 1 full turn.

STEP 2. Load single round into magazine and fire to determine if bolt on rifle locks back.

STEP 3. If bolt on rifle does lock back, open 1 half turn (counter clockwise). Then fire rifle 3 shots to insure function. If rifle is cycling correctly, gas function is properly set.

STEP 4. If bolt does not lock back, open gas block in half turn increments (counter clockwise) firing a single shot until bolt does lock back. Once bolt locks back, refer to step #3 to complete proper gas pressure procedure.

If you have anymore questions or would like to see a video of this procedure please refer to our Youtube Channel at [www.youtube.com/BlackRainOrd](http://www.youtube.com/BlackRainOrd) for a complete Gas Block Tuning video.



[WWW.BLACKRAINORDNANCE.COM](http://WWW.BLACKRAINORDNANCE.COM)  
888.836.2620



# TROUBLESHOOTING

31

## PROBLEM:

## CAUSE:

## SOLUTION:

Won't Extract

Broken Extractor Spring

Call **Black Rain Ordnance, Inc.**®

Dirty or Corroded Ammunition

Remove, use plastic rod  
(not cleaning rod)

Carbon in Chamber

Clean Chamber

Fouling or Carbon in Extractor  
Recess

Clean Bolt Face and Under  
Extractor

Bolt Won't Unlock

Dirty Chamber or Bolt

Clean and Lightly Oil Chamber or  
Bolt

Double Feed

Improper Ammunition (Reloads?)

Discard/Replace Ammunition

Defective Magazine

Replace Magazine



[WWW.BLACKRAINORDNANCE.COM](http://WWW.BLACKRAINORDNANCE.COM)  
888.836.2620

# TROUBLESHOOTING

32

## PROBLEM:

Won't Feed

## CAUSE:

Magazine Not Fully Seated

Too Many Rounds in Magazine

Defective Magazine

Bolt/Magazine Lips  
Not Properly Oiled

Restricted Buffer  
Assembly

Dirty or Corroded  
Ammunition

Dirty or Defective  
Bolt Catch

Faulty Magazine

## SOLUTION:

Reinsert Magazine Until it Seats Fully

Remove Excess Rounds

Replace Magazine

Oil Bolt/Magazine Lips with **Black Rain Ordnance, Inc.®** Premium Gun Oil & Lubricant

Clean and Oil Buffer and Spring with **Black Rain Ordnance, Inc.®** Premium Gun Oil & Lubricant

Discard/Replace Ammunition

Clean Bolt Catch or Call  
**Black Rain Ordnance, Inc.®**

Replace Magazine

Bolt Fails to  
Lock After Last  
Round



[WWW.BLACKRAINORDNANCE.COM](http://WWW.BLACKRAINORDNANCE.COM)  
888.836.2620

# WARNING - ALTERATIONS AND MODIFICATIONS

33

Altering or modifying parts is dangerous and will void the warranty of your rifle. This **Black Rain Ordnance, Inc.**® rifle was manufactured to perform properly with the original parts as designed by **Black Rain Ordnance, Inc.**® It is your duty to make sure that any parts you buy are made for this rifle and are installed correctly. Also make sure that neither the replacement parts nor the originals are altered or changed. Your **Black Rain Ordnance, Inc.**® rifle is a complex precision tool with many parts that must relate correctly in order to allow for proper and safe operation. Improper assembly or the use of incorrect/modified parts can result in damaging your rifle, cause serious personal injury, or death to you and others. Always have a qualified gunsmith work on your rifle or at the very least verify the work not previously performed by a gunsmith.

## PROBLEMS/RETURNS

If there is a problem with your rifle or if shipping damage has occurred, please call us immediately at 1-888-836-2620 or email us through [www.blackrainordnance.com](http://www.blackrainordnance.com).

Note: It is illegal to ship a firearm with ammunition in the firearm or in the same shipping container. Firearms and ammunition must be shipped separately! For more information about shipping, call **Black Rain Ordnance, Inc.**® at 1-888-836-2620.



[WWW.BLACKRAINORDNANCE.COM](http://WWW.BLACKRAINORDNANCE.COM)  
888.836.2620

# AMMUNITION WARNING

Please read the following information before loading your rifle.

## **A. Israeli Ammunition**

## **B. Korean Ammunition**

We have found several problems with using this ammunition. The bullet contour and the overall length of the cartridge are oversized and can cause an unsafe spike in chamber pressure. This can cause feeding and extraction problems. It also causes accelerated fatigue on the internal parts.

## **C. PMP**

## **D. South African surplus**

We have used this ammunition in the past for testing purposes and found that the brass is extremely soft and can "flow" into microscopic pores in the chamber, creating "sticky" extraction.

## **E. Lacquer Coated or Steel Cased Ammunition**

This ammunition causes failures due to the lacquer melting off the cartridge and sticking to the chamber walls. This decreases the chamber size and can create unsafe conditions. The use of this ammunition is not recommended and will void the warranty of your rifle!



**WWW.BLACKRAINORDNANCE.COM**  
**888.836.2620**

# LIFETIME WARRANTY

**Black Rain Ordnance, Inc.**® is committed to providing the best service and satisfaction in the industry. Our warranty covers the original purchaser for the lifetime of the firearm. This warranty is non-transferable. **The warranty will only be effective if the registration card is filled out and mailed in!** It covers against defects in the workmanship, parts, and operation of this firearm. Should you have any problems with your firearm, call us at 1-888-836-2620 or email us at [www.blackrainordnance.com](http://www.blackrainordnance.com). If we find your firearm is found to be defective or requiring work that can not be solved over the phone, we will do the following:

1. Repair the requested warranty item to your satisfaction.
2. Upon factory review, if repair is not an option, we will replace your firearm with a current model of equal value. (Due to our change in models, older models may not be replaced with an exact copy)
3. **Black Rain Ordnance, Inc.**® is not responsible for shipping fees incurred due to needed inspection or warranty replacement issues.
4. All warranty repair work must have a return authorization number. To receive your authorization number, please call 1-888-836-2620.



[WWW.BLACKRAINORDNANCE.COM](http://WWW.BLACKRAINORDNANCE.COM)  
888.836.2620

# LIFETIME WARRANTY CONTINUED

Please note that the liability of **Black Rain Ordnance, Inc.**<sup>®</sup> is limited to repair or replacement of the parts that our expert repair staff deem necessary to bring the firearm under repair back up to a properly functioning condition. **Black Rain Ordnance, Inc.**<sup>®</sup> assumes no liability for accidental or consequential damages. The following items are specifically excluded from coverage under this warranty:

- Normal wear of working parts, coated finishes of all metal and plastic parts.
- Damage or malfunction resulting from accidental, negligent, intentional misuse, or unauthorized repair/alteration of the firearm.
- Damage or malfunction resulting from the use of hand loaded or non-approved ammunition as stated previously.
- Damage or malfunction resulting from a barrel obstruction.
- Any finished products that are not assembled in our facility, or assembled using non-approved parts. This includes complete rifle kits, upper receivers, lower receivers, barrel units/assemblies.
- Any damage to **Black Rain Ordnance, Inc.**<sup>®</sup> firearms, parts, or accessories caused during assembly by an individual organization, company, or entity other than **Black Rain Ordnance, Inc.**<sup>®</sup> or approved by **Black Rain Ordnance, Inc.**<sup>®</sup>



[WWW.BLACKRAINORDNANCE.COM](http://WWW.BLACKRAINORDNANCE.COM)  
888.836.2620

# WARRANTY REGISTRATION CARD

(COMPLETE AND MAIL TODAY)

Model #: \_\_\_\_\_ Serial #: \_\_\_\_\_

Customer Name: \_\_\_\_\_

Mailing Address: \_\_\_\_\_

City: \_\_\_\_\_ State: \_\_\_\_\_ Zip Code: \_\_\_\_\_

Phone: \_\_\_\_\_ Date Purchased: \_\_\_\_\_

Email: \_\_\_\_\_

Purchased From: \_\_\_\_\_

I discovered Black Rain Ordnance, Inc.® through: \_\_\_\_\_

The best thing about Black Rain Ordnance, Inc.® is: \_\_\_\_\_

In the future I would like to see Black Rain Ordnance, Inc.® manufacturer the following products: \_\_\_\_\_

\_\_\_\_\_

Comments: \_\_\_\_\_

\_\_\_\_\_

\_\_\_\_\_



**WWW.BLACKRAINORDNANCE.COM**  
**888.836.2620**

POSTAGE  
REQUIRED

**Black Rain Ordnance, Inc.®**  
P.O. BOX 1111  
NEOSHO, MO 64850