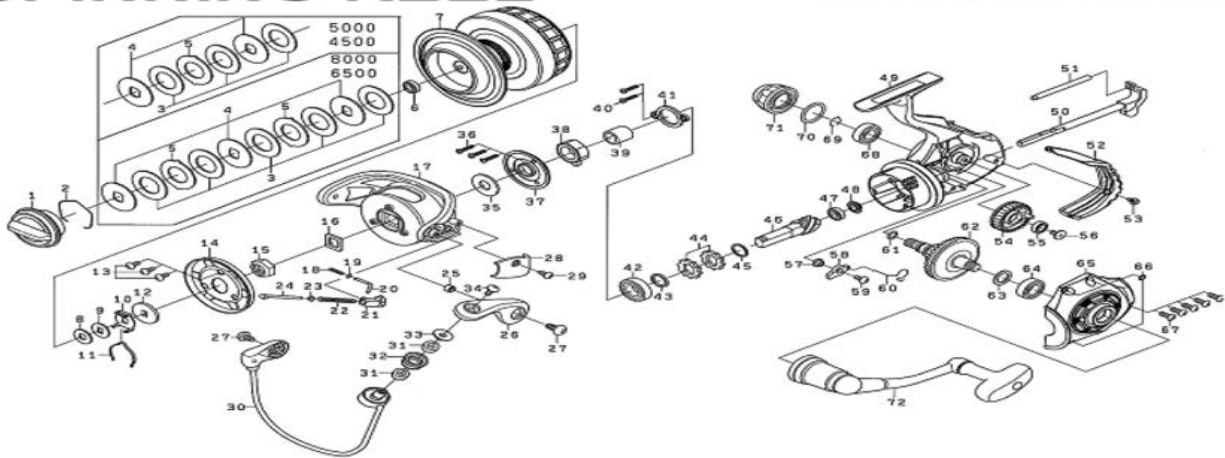


DAWA SPINNING REEL

BG4500-8000

Please order by parts number, not key number



Key No	Description	BG 4500 Part No	BG 5000 Part No	BG 6500 Part No	BG 8000 Part No
1	Drag Knob	J31-2101	J31-2101	J31-2101	J31-2101
2	Drag Washer Retainer	F88-4001	F88-4001	F88-4001	F88-4001
3	ATD Drag Washer	J56-1601	J56-1601	J56-1701	J56-1701
4	Key Washer	H17-5101	H17-5101	H17-5101	H17-5101
5	Eared Washer	G70-0701	G70-0701	G70-0701	G70-0701
6	Ball Bearing (A)	B35-8607	B35-8607	B35-8607	B35-8607
7	Spool Assembly	J34-4801	J32-2801	J33-8601	J31-1701
8	SPOOL WASHER(A)	F05-0104	F05-0104	F05-0104	F05-0104
9	Washer (B)	F05-0002	F05-0002	F05-0002	F05-0002
10	Click Leaf Spring Holder	H30-9501	H30-9501	H32-3701	H32-3701
11	Spool Click Leaf Spring	B74-7701	B74-7701	G34-1401	G34-1401
12	Washer (C)	F04-9901	F04-9901	F04-9901	F04-9901
13	Screw (A)	G27-0801	G27-0801	G27-0801	G27-0801
14	Collar (A)	J32-2501	J32-2501	J31-0601	J31-0601
15	Rotor Nut	J32-2401	J32-2401	J31-0501	J31-0501
16	Rotor Nut Plate	G39-2202	G39-2202	J31-6501	J31-6501
17	Rotor	J32-1601	J32-1601	J30-9401	J30-9401
18	Bail Spring (A)	H50-3401	H50-3401	H78-2801	H78-2801
19	Washer (D)	G68-5401	G68-5401	E27-2501	E27-2501
20	Bail Spring Shaft (A)	H50-3301	H50-3301	H68-4601	H68-4601
21	Bail Spring Holder	J32-2001	J32-2001	H68-4701	H68-4701
22	Bail Spring (B)	J32-1901	J32-1901	G41-8101	G41-8101
23	Washer (E)	J32-1801	J32-1801	J30-9601	J30-9601
24	Bail Spring Shaft (B)	J32-1701	J32-1701	J30-9501	J30-9501
25	Collar (B)	H94-5501	H94-5501	H94-5501	H94-5501
26	Bail arm	J30-9703	J30-9703	J30-9703	J30-9703
27	Screw (B)	G45-5601	G45-5601	G45-5601	G45-5601
28	Cover (A)	J32-2101	J32-2101	J30-9801	J30-9801
29	Screw (C)	G27-0801	G27-0801	G27-0801	G27-0801
30	Bail Assembly	J32-3301	J32-3301	J30-9901	J30-9901
31	Collar (C)	J41-6001	J41-6001	J41-6001	J41-6001
32	Line Roller	H24-6103	H24-6103	H24-6103	H24-6103
33	Collar (D)	J31-0401	J31-0401	J31-0401	J31-0401
34	Screw (D)	F60-8901	F60-8901	F60-8901	F60-8901
35	Washer (F)	J30-9301	J30-9301	J30-9301	J30-9301
36	Screw (E)	J00-1601	J00-1601	J00-1601	J00-1601
37	Cover (B)	J32-3901	J32-3901	J30-8201	J30-8201
38	Roller Clutch	J30-8101	J30-8101	J30-8101	J30-8101
39	Spacing Sleeve	J30-9001	J30-9001	J30-9001	J30-9001
40	Screw (F)	J00-1602	J00-1602	J00-1601	J00-1601
41	Bearing Retainer (A)	J30-8401	J30-8401	J30-8401	J30-8401
42	Ball Bearing (B)	G42-6301	G42-6301	G42-6301	G42-6301
43	Washer (G)	G61-3404	G61-3404	H24-3901	H24-3901
44	Ratchet	E26-2701	E26-2701	E26-2701	E26-2701
45	Washer (G)	G61-3404	G61-3404	E33-9701	E33-9701
46+62	Pinion Gear + Drive Gear	Z02-3041	Z02-3041	Z02-2625	Z02-2625
47	Ball Bearing (C)	G52-2702	G52-2702	B86-1704	B86-1704
48	Collar (F)	J32-0901	J32-0901	J30-8101	J30-8101
49	Body	J31-9801	J31-9801	J30-7001	J30-7001
50	Main Shaft	J32-0501	J32-0501	J30-7701	J30-7701
51	Stabilizer Bar	J32-0801	J32-0801	J30-8001	J30-8001
52	Rear Cover	J32-1501	J32-1501	J30-8901	J30-8901
53	Screw (G)	J00-1801	J00-1801	J00-1801	J00-1801
54	Oscillating Gear	J32-0401	J32-0401	J30-7601	J30-7601
55	Ball Bearing (D)	G46-7105	G46-7105	B86-1704	B86-1704
56	Screw (H)	H27-2201	H27-2201	H34-7101	H34-7101
57	Collar (G)	H24-3301	H24-3301	H24-3301	H24-3301
58	Anti-Reverse Pawl	H24-3201	H24-3201	M03-0401	M03-0401
59	Screw (I)	351-6401	351-6401	351-6401	351-6401
60	Spring	J30-8601	J30-8601	J30-8601	J30-8601
61	O Ring (A)	J32-1201	J32-1201	J30-8501	J30-8501
63	Washer (H)	371-2824	371-2824	371-2824	371-2824
64	Ball Bearing (E)	G52-2802	G52-2802	G52-2802	G52-2802
65	Side Cover	J32-1301	J32-1301	J30-8701	J30-8701
66	Washer (J)	J42-3501	J42-3501	J42-3501	J42-3501
67	Screw (J)	351-6417	351-6417	351-6417	351-6417
68	Ball Bearing (F)	G52-2802	G52-2802	G52-2802	G52-2802
69	Bearing Retainer (B)	H04-7201	H04-7201	H04-7201	H04-7201
70	O Ring (B)	J04-2501	J04-2501	J04-2501	J04-2501
71	Handle Screw Cap	J39-4902	J39-4902	J39-4902	J39-4902
72	Handle Assembly	J41-6501	J41-6501	J41-6501	J41-6501