

PUMP ACTION



AMERICAN TACTICAL

SAFETY RULES

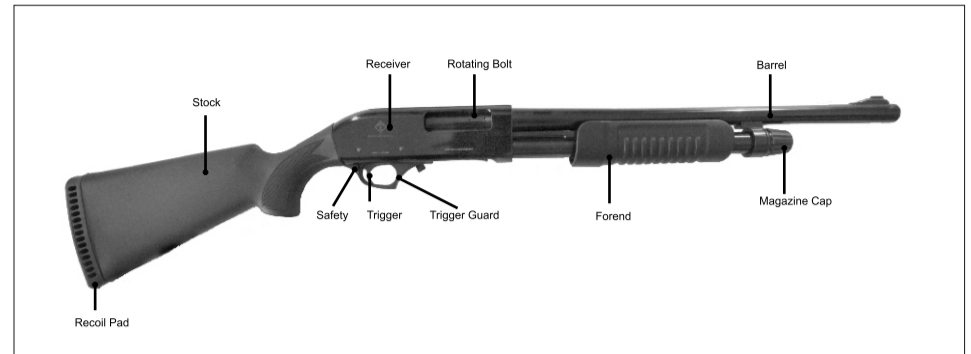
Please read this before handling your firearm.

Firearms can be dangerous and can potentially cause serious injury, damage to property or death, if handled improperly. The following safety rules are an important reminder that firearm safety is your responsibility.

WARNING:

Firearm have the capability of taking your life or the life of someone else! Be careful with your firearm, an accident is almost always the result of not following basic safety rules. Discharging firearms in poorly ventilated areas, cleaning firearms, or handling ammunition may result in exposure to lead, a substance known to be associated with birth defects, reproductive harm, and other serious injury. Have adequate ventilation at all times. Wash hands thoroughly after exposure.

1. Never point a firearm at anyone, or in any direction other than a SAFE direction (Downrange).
2. Always treat all firearms as if they were loaded.
3. Keep your finger off the trigger until your sights are on the target.
4. Keep the manual safety applied and your finger off the trigger while loading or unloading the firearm.
5. Be sure of your target and the backstop beyond.
6. Never give a firearm to anyone, or take a firearm from anyone, unless the action is open.
7. Be sure that the ammunition you are using is factory loaded and is not damaged in any way.
8. Before firing, with the firearm unloaded, lock the bolt to the rear and check the barrel for any obstructions.
9. Before firing any firearm that is unfamiliar to you, make sure that you understand how it functions.
10. Wear hearing protection and eye protection when shooting your firearm.
11. Keep your hands and fingers away from muzzle to avoid injury or burns.
12. Firearms and ammunition should be stored separately beyond the reach of children.
13. Avoid the use of alcoholic beverages before and during any shooting.



ASSEMBLY PROCEDURE

Package contents should include :

- Gun stock receiver-forend sub assembly
- Barrel sub assembly

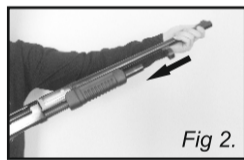
Before assembly make sure that the trigger block safety button located on the trigger guard is pushed to the safety "on" position: The red ring indicating the firing position should not be visible...



- 1-Remove your stock receiver forend assembly and barrel assembly from the box.
- 2-Remove the magazine cap by turning it "counter clockwise" to the left. (Fig 1)



- 3-With the bolt and forend in the forward position count the barrel to the receiver. Making sure the barrel ring fits correctly over the magazine tube (Fig 2)



- 4-Screw the magazine tube cap onto the magazine tube until it is hand-tight (Fig 3)



- 5-Ensure that the barrel is completely against the receiver. The barrel should be fixed and without movement when properly assembled and tightened.



WARNING

Before performing and type of operation on the firearm, visually and physically check the firing chamber, carrier and magazine to verify that no ammunition is present.

Make certain the firearm safety button is in the safe position. Be sure that the chamber and barrel are clear of all obstructions. Keep the muzzle of the firearm pointed in a safe direction at all times. Check that the ammunition is the correct gauge and the size for the firearm. Do not place finger or any other object inside trigger guard. Failure to follow this procedures could result in serious injury or death to yourself or others.



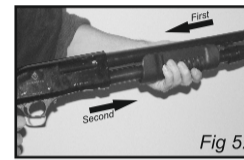
FOREND AND BOLT

Once the barrel is removed pull the forend forward so that it slides all the way of the magazine tube. Use care as the bolt group will come out of the receiver resting on the action bars. Once the bolt group has cleared the receiver, it can be pulled off the action bars. (Fig 9-10)



TRIGGER GROUP

Using an appropriate tool push the trigger group main pin out. (Fig 11) Once the main pin is completely removed the trigger group can now be pulled out from the bottom of the firearm for cleaning. (Fig 12)



AMMUNITION

USE ONLY SUITABLE AMMUNITION

This pumped guns is chambered in 12 gauge. It has been designed to fire 1,13 oz (32 gram) to 1,76 oz (50 gram) cartridges with 2,75 inch (70 mm) to 3 inch (76 mm) length.

WARNING : Never use cartridges with a case longer than the chamber, as this would have serious consequences for both the gun and the shooter. Use ONLY factory loaded ammunition. Using of re-loaded ammunition voids the warranty.

LOADING

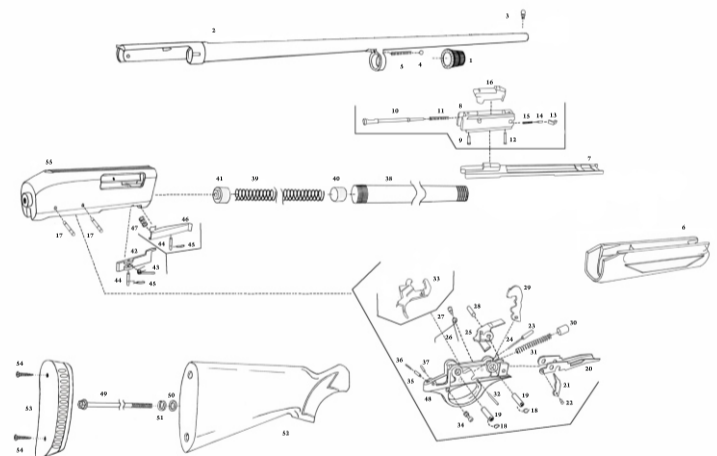
Hold the gun firmly. With the forend fully forward slide the cartridges in the magazine one by one. (Fig. 4). Capacity of the gun is (5+1). Cycle the forend completely rearward and then completely forward. This will place cartridge is placed in the chamber.

WARNING : The gun can now fire

It is now possible to place another cartridge in the magazine. (Fig 5)

UNLOADING

To unload cartridges from chamber and magazine simply push the carrier latch button. (Fig 6) pump the action until all the cartridges are out of the gun. (Fig 7) **WARNING :** Visually and manually check to be certain the gun is unloaded.



PARTS LIST

- | | | |
|-----------------------------------|----------------------------------|------------------------------|
| 1-Magazine cap | 21-Lifter dog | 41-Magazine spring follower |
| 2-Barrel | 22-Pin, lifter dog | 42-Feed latch |
| 3-Front sight | 23-Cap, lifter dog | 43-Spring, feed latch |
| 4-Detent, magazine cap | 24-Spring, lifter dog | 44-Pin, latch pivot (2) |
| 5-Spring, magazine cap detent | 25-Slide lock lever | 45-Retainer, latch pivot (2) |
| 6-Forend | 26-Spring, slide lock lever | 46-Shell stop |
| 7-Slide arm | 27-Stud, slide lock lever spring | 47-Spring, shell stop |
| 8-Bolt body | 28-Pin, hammer pivot | 48-Trigger guard housing |
| 9-Pin, firing pin retaining | 29-Hammer | 49-Bolt, stock |
| 10-Firing pin | 30-Cap, hammer spring | 50-Washer, flat stock bolt |
| 11-Spring, firing pin | 31-Spring, hammer | 51-Washer, lock stock bolt |
| 12-Pin, extractor retaining | 32-Pin, trigger pivot | 52-Stock |
| 13-Extractor | 33-Trigger | 53-Recoil pad |
| 14-Plunger, extractor | 34-Safety | 54-Screw, recoil pad (2) |
| 15-Spring, extractor | 35-Detent, safety | 55-Receiver |
| 16-Locking block | 36-Spring, safety detent | |
| 17-Pin, trigger frame (2) | 37-Pin, safety spring retaining | |
| 18-"D"ring, trigger frame pin (2) | 38-Magazine tune | |
| 19-Tube, trigger frame pin (2) | 39-Spring, magazine | |
| 20-Lifter | 40-Magazine spring retainer | |

ATI Warranty Service Policy & Procedure ATI 2 year limited warranty on imported goods.

American Tactical Imports provides warranty services, parts and repairs for our imported products. If you believe your ATI imported products or ATI brand product needs service or replacement, please contact 1-800-290-0065 or email techservice@americantactical.us. One of our representatives will assist you and provide all instructions.

If you are contacting ATI for service of firearm please have your serial number available. All returns for service or repair require a Return Authorization (RA) number to be issued by an ATI representative. No returns for service will be accepted without an ATI issued RA number written clearly on the outside of the package. Any items received without an ATI issued RA number will be returned to sender without action.

Service time frame may vary due to service cue and availability of parts from foreign manufacturers. It is the responsibility of the consumer to ship any firearms or products to ATI for service. All firearms must be registered by mail in registration form or online registration. (www.Americantactical.us) before an ATI representative can issue a return authorization number.

If an item received is outside of warranty coverage; an ATI representative will contact you before further action is taken.

The warranties covered by ATI are implemented and monitored by the foreign manufacturers of all ATI imported products. ATI reserves the right to deny or decline any warranty services or products that do not meet the warranties implemented by our manufacturers.

If you are returning a rifle or shotgun for service, you may ship to ATI via US Postal Service or any parcel delivery service directly to ATI.

All firearms returned to ATI for service can only be shipped back to the original senders address. Change of return shipping address once received is not authorized.

If you have any questions or concerns regarding ATI's warranty policy or services please contact us at 1-800-290-0065 or email at customerservice@americantactical.us.