



B&T MP9-N (NSN 1005-17-122-0790)

BT-30104-N

ILLUSTRATED PARTS CATALOGUE



B&T AG
P.O. Box 174
3608 Thun • Switzerland
Fon +41 33 334 67 00
Fax +41 33 334 67 01
info@bt-ag.ch
www.bt-ag.ch



PC-95256.10

TABLE OF CONTENTS

PART 1: PARTS CATALOGUE	5
B&T MP9-N COMPLETE BT-30104-N	6
RECEIVER COMPLETE BT-30284	8
TOP COVER COMPLETE BT-30300	10
BOLT COMPLETE BT-30231	11
BARREL GUIDE COMPLETE BT-30293	12
MAGAZINE 15 RDS COMPLETE BT-30209	13
MAGAZINE 20 RDS COMPLETE BT-30296	14
MAGAZINE 25 RDS COMPLETE BT-30298	15
MAGAZINE 30 RDS COMPLETE BT-30183	16
RAMP COMPLETE BT-30214	17
TRIGGER HOUSING COMPLETE BT-30215	18
FOLDING STOCK COMPLETE BT-30331	19
PART 2: TOOLS & GAUGES	21
OPERATOR TOOLS	22
ARMORER TOOLS	23
WEAPON FIXTURE BT-30464	24
GAUGES BT-30568	25
NOTES	26
THE MANUFACTURER	28

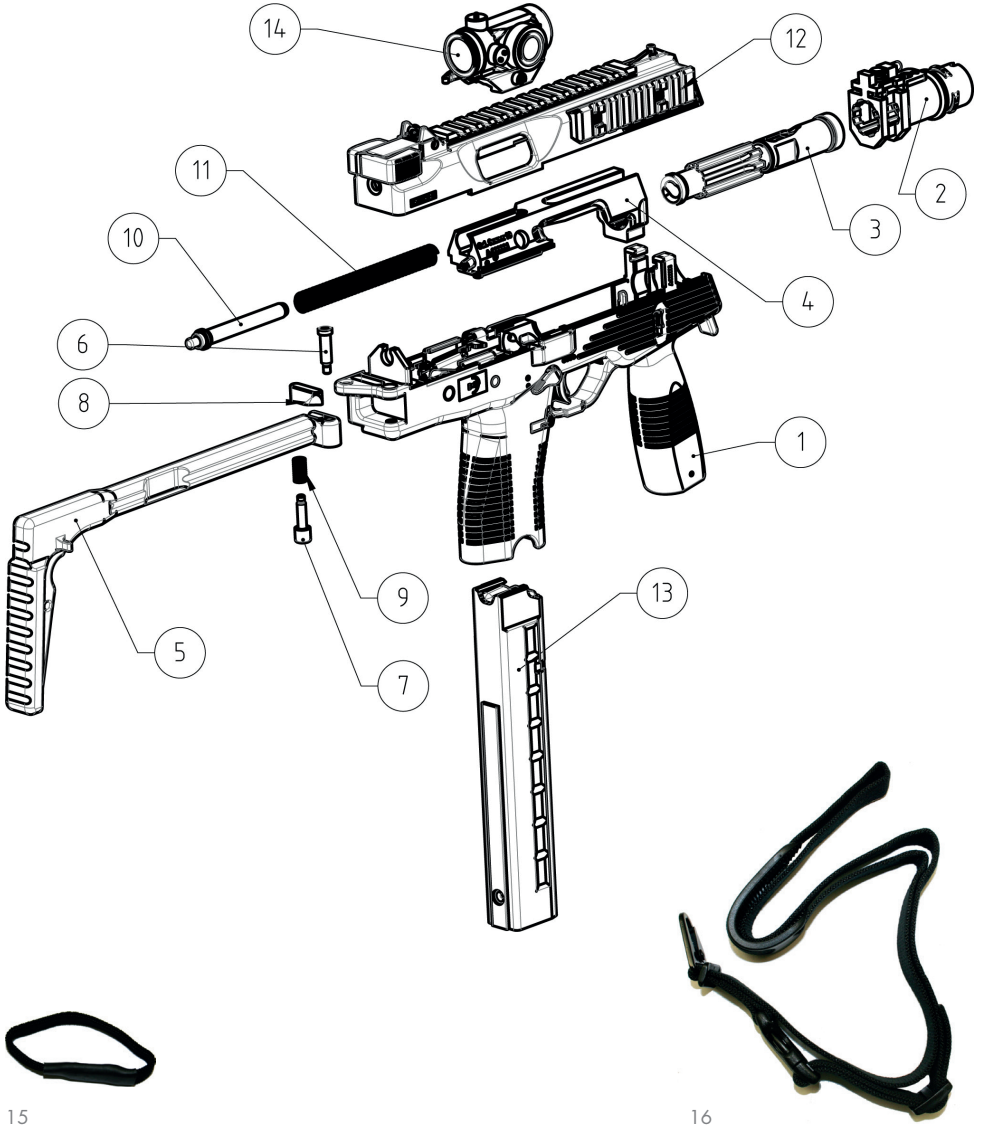
Related documents

TM-95256	Operator's manual
SM-95256	Armorer's manual

PART 1: PARTS CATALOGUE

Note: Due to continuous efforts spent in upgrading the weapon design, it is possible that certain descriptions contained in this manual may vary from the actual weapon.

B&T MP9-N COMPLETE BT-30104-N



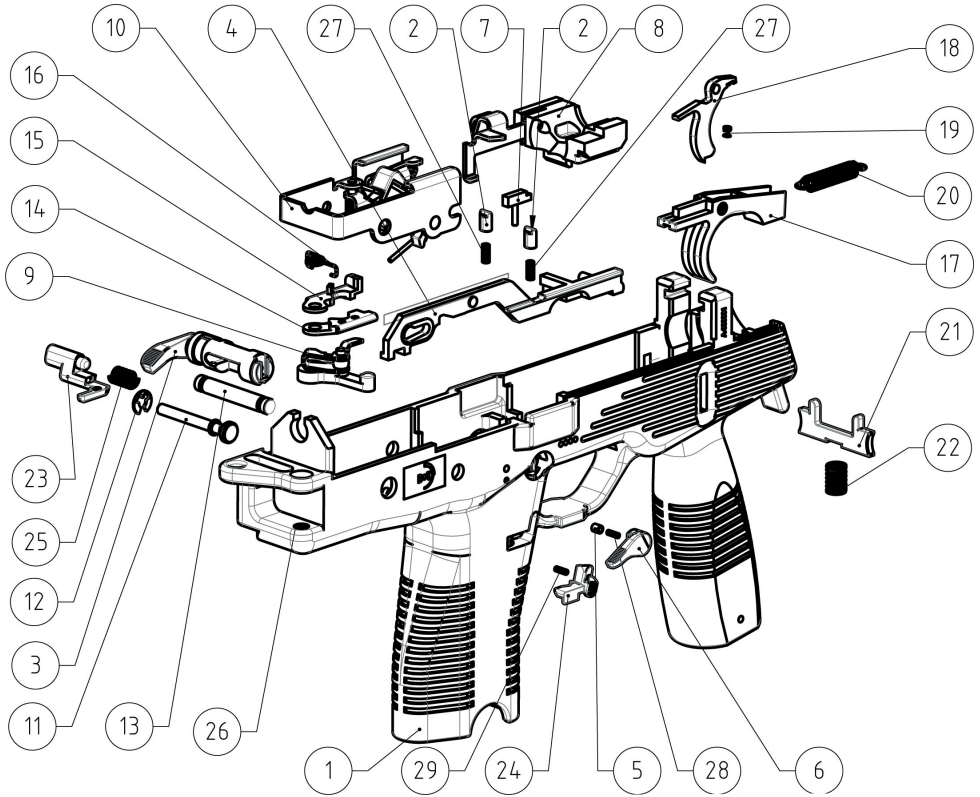
15

16

B&T MP9-N COMPLETE BT-30104-N

Pos.	Designation	Part No.	Type
1	Receiver complete	BT-30284	Assembly page 8
2	Barrel guide complete	BT-30293	Assembly page 12
3	Barrel	BT-30226	Part
4	Bolt complete	BT-30231	Assembly page 11
5	Folding stock	BT-30234	Part
6	Fixing screw	BT-30116	Part
7	Locking screw	BT-30184	Part
8	Folding stock retainer	BT-30185	Part
9	Locking screw spring	BT-30273	Part
10	Guide rod	BT-30156	Part
11	Recoil spring	BT-30269	Part
12	Top cover complete	BT-30300	Assembly page 10
13	Magazine 15 rds complete	BT-30209	Assembly page 13
13	Magazine 20 rds complete	BT-30296	Assembly page 14
13	Magazine 25 rds complete	BT-30298	Assembly page 15
13	Magazine 30 rds complete	BT-30183	Assembly page 16
14	Aimpoint® Micro TL-1	AP-12907	Assembly
15	Sling loop	BT-22276	Part
16	Carrying sling	ZT-BT-231296	Assembly

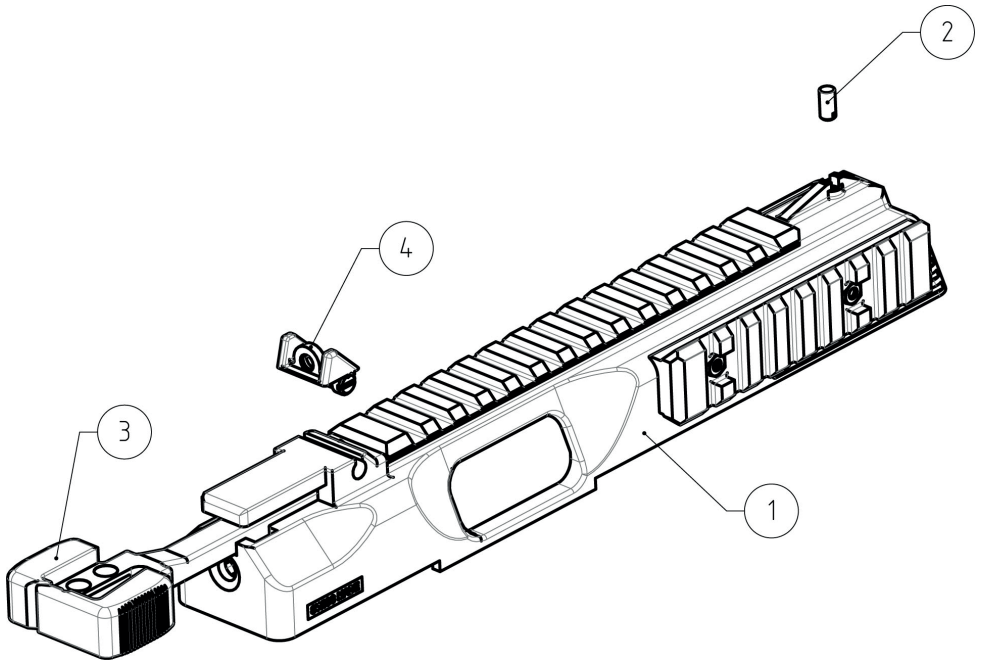
RECEIVER COMPLETE BT-30284



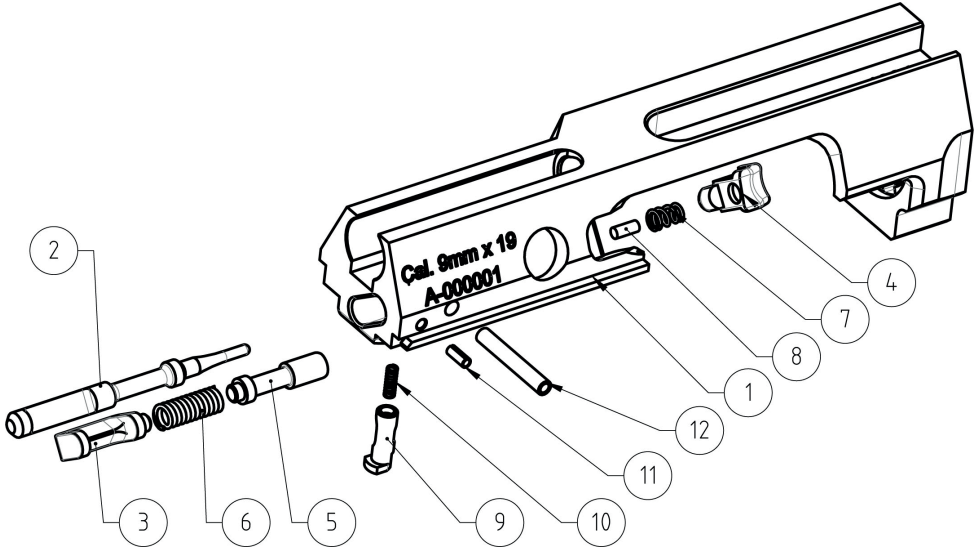
RECEIVER COMPLETE BT-30284

Pos.	Designation	Part No.	Type
1	Receiver	BT-30224	Part
2	Latching piece	BT-30497	Part
3	Safety axle	BT-30493	Part
4	Sear bar	BT-30146	Part
5	Latching pin	BT-30496	Part
6	Safety lever right	BT-30495	Part
7	Burst locker (optional)	BT-30510	Part
8	Ramp complete	BT-30214	Assembly page 17
9	Control lever complete	BT-30221	Assembly
10	Trigger housing complete	BT-30215	Assembly page 18
11	Axle pin	BT-30128	Part
12	Washer lock	BN809-4	Part
13	Trigger pin	BT-30132	Part
14	Disconnecter	BT-30159	Part
15	Sear	BT-30141	Part
16	Sear spring	BT-30210	Part
17	Trigger	BT-30163	Part
18	Trigger safety	BT-30265	Part
19	Trigger safety spring	BT-30274	Part
20	Trigger spring	BT-30268	Part
21	Latch	BT-30148	Part
22	Latch spring	BT-30271	Part
23	Magazine release left	BT-30458	Part
24	Magazine release right	BT-30459	Part
25	Magazine release left spring	BT-30270	Part
26	Thread insert M4	BT-30513	Part
27	Latching piece spring	BT-30507	Part
28	Latching pin spring	BT-30508	Part
29	Magazine release right spring	BT-30537	Part

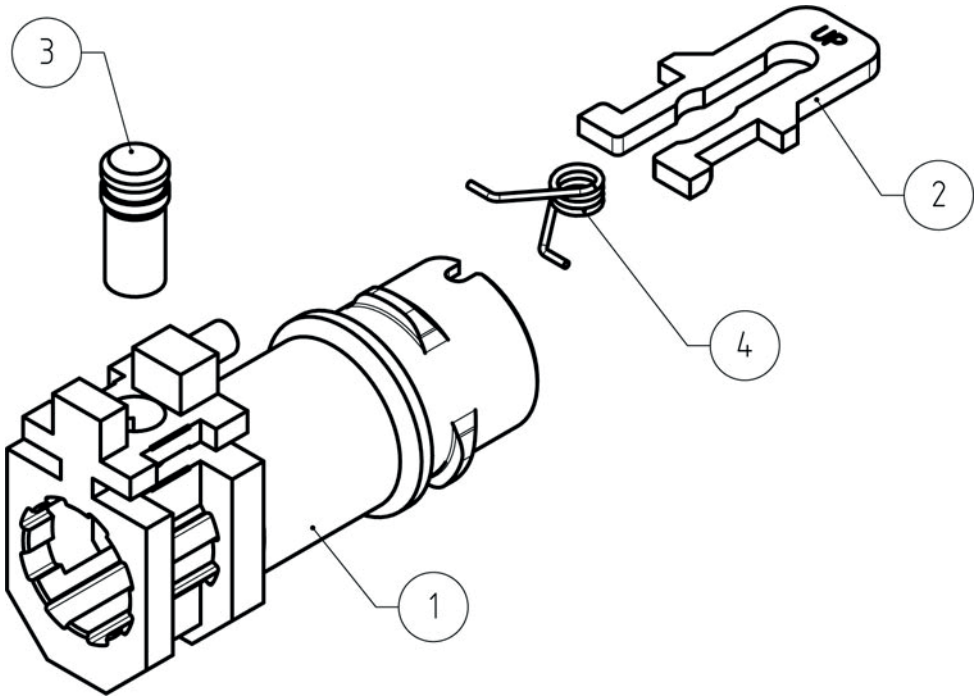
TOP COVER COMPLETE BT-30300



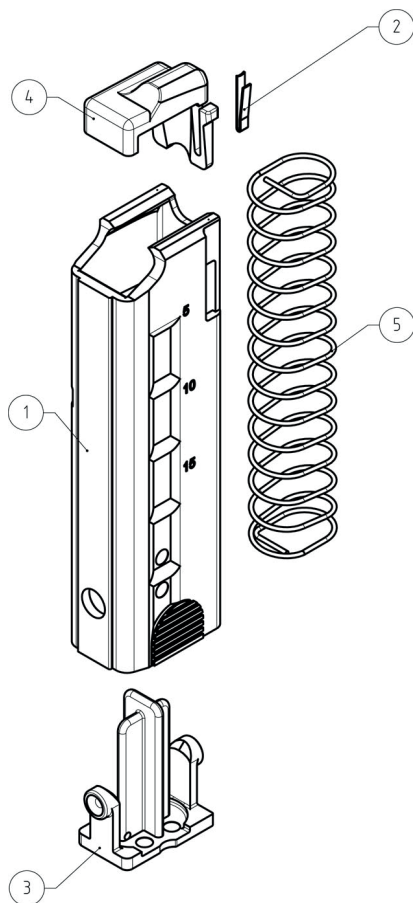
Pos.	Designation	Part No.	Type
1	Top cover	BT-30235	Part
2	Front sight	BT-30149	Part
3	Charging handle	BT-30415	Part
4	Rear sight / ghost ring	BT-30223	Assembly

BOLT COMPLETE BT-30231

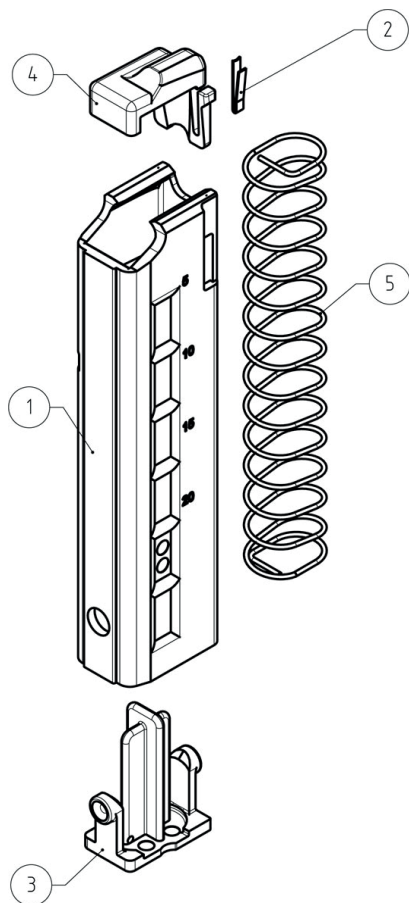
Pos.	Designation	Part No.	Type
1	Bolt	BT-30230	Part
2	Firing pin	BT-30113	Part
3	Connector	BT-30155	Part
4	Extractor	BT-30166	Part
5	Extractor plunger	BT-30165	Part
6	Firing pin spring	BT-30277	Part
7	Extractor spring	BT-30198	Part
8	Shock puffer	BT-30195	Part
9	Firing pin safety	BT-30514	Part
10	Firing pin safety spring	BT-30516	Part
11	Pin $\varnothing 2 \times 5$	BT-30515	Part
12	Roll pin $\varnothing 3 \times 20$	BT-30276	Part

BARREL GUIDE COMPLETE BT-30293

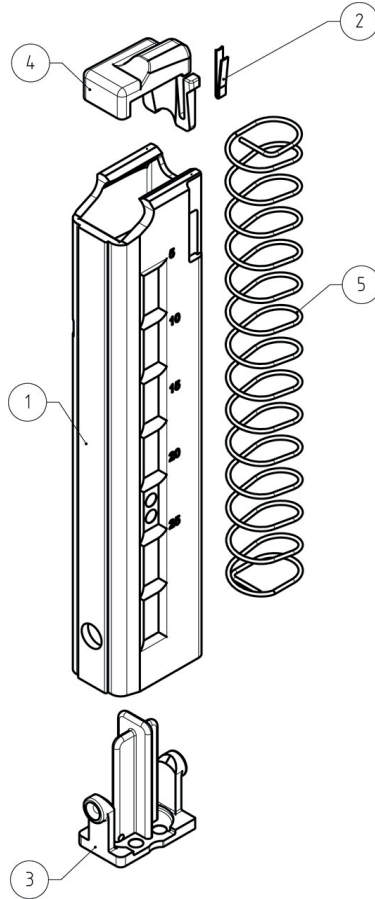
Pos.	Designation	Part No.	Type
1	Barrel guide	BT-30227	Part
2	Detent plate	BT-30126	Part
3	Locking pin	BT-30127	Part
4	Detent plate spring	BT-30169	Part

MAGAZINE 15 RDS COMPLETE BT-30209

Pos.	Designation	Part No.	Type
1	Magazine body 15 rds	BT-30187	Part
2	Follower spring	BT-30164	Part
3	Magazine plate	BT-30177	Part
4	Magazine follower	BT-30178	Part
5	Magazine spring	BT-30207	Part

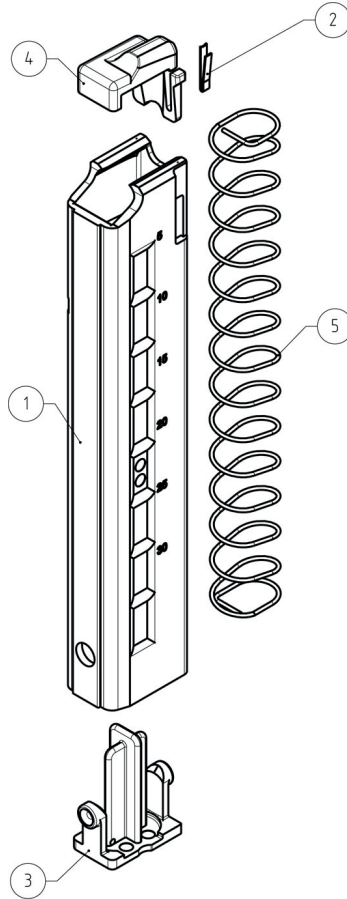
MAGAZINE 20 RDS COMPLETE BT-30296

Pos.	Designation	Part No.	Type
1	Magazine body 20 rds	BT-30295	Part
2	Follower spring	BT-30164	Part
3	Magazine plate	BT-30177	Part
4	Magazine follower	BT-30178	Part
5	Magazine spring	BT-30651	Part

MAGAZINE 25 RDS COMPLETE BT-30298

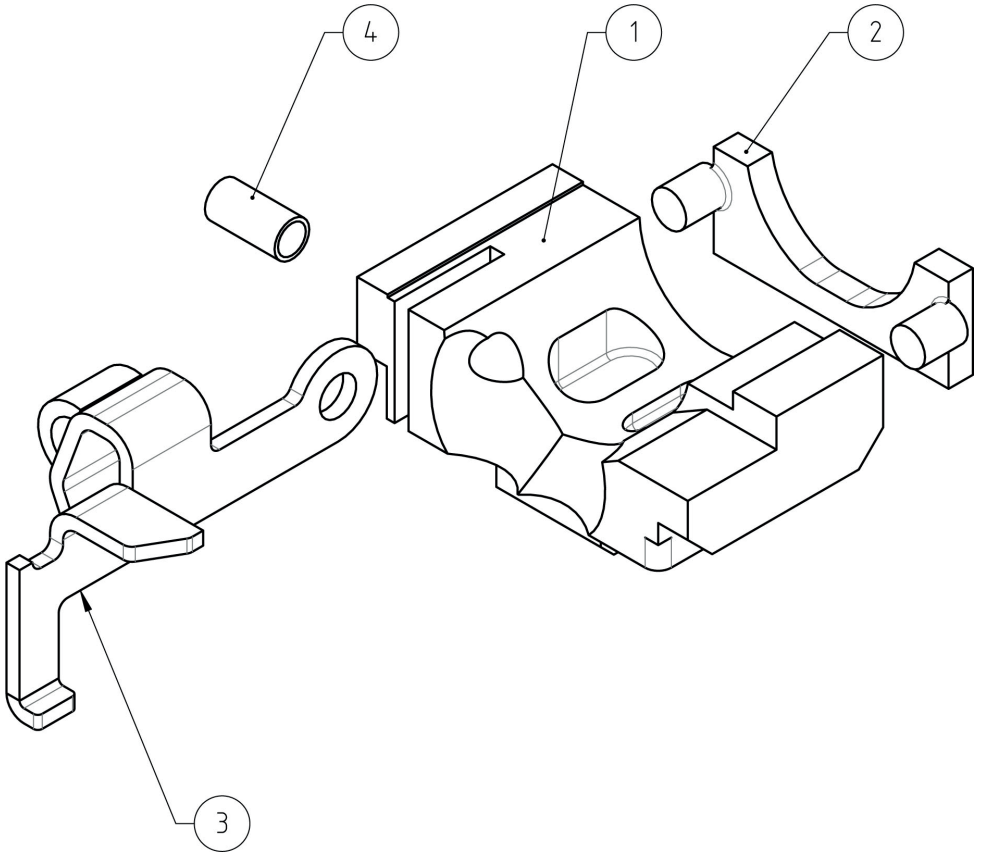
Pos.	Designation	Part No.	Type
1	Magazine body 25 rds	BT-30297	Part
2	Follower spring	BT-30164	Part
3	Magazine plate	BT-30177	Part
4	Magazine follower	BT-30178	Part
5	Magazine spring	BT-30651	Part

MAGAZINE 30 RDS COMPLETE BT-30183



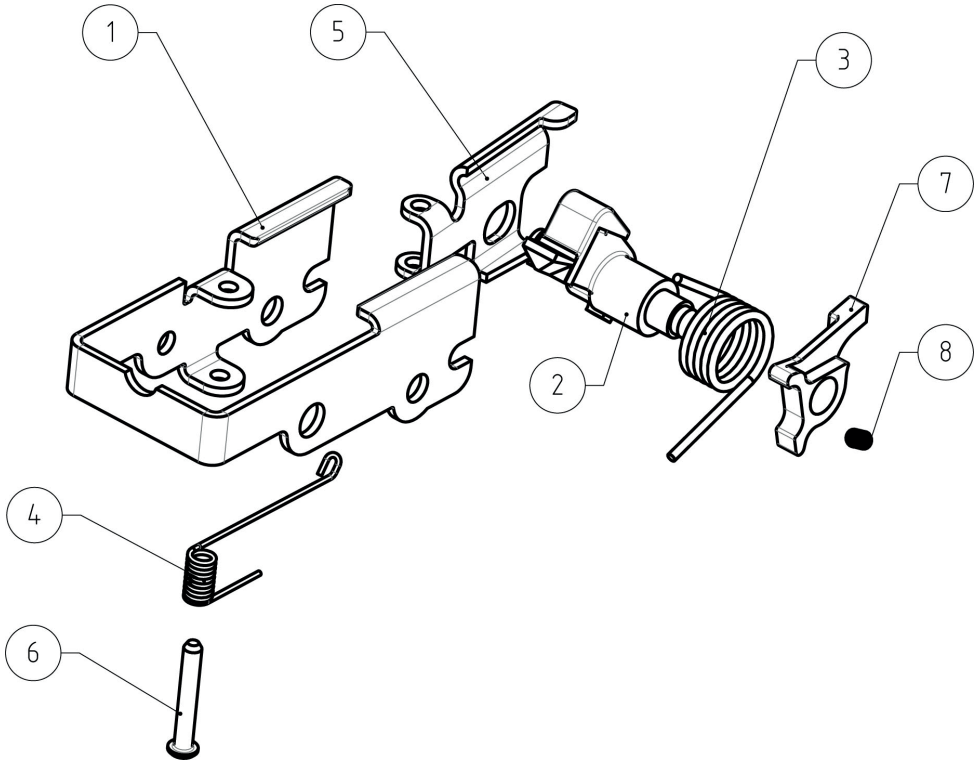
Pos.	Designation	Part No.	Type
1	Magazine body 30 rds	BT-30180	Part
2	Follower spring	BT-30164	Part
3	Magazine plate	BT-30177	Part
4	Magazine follower	BT-30178	Part
5	Magazine spring	BT-30651	Part

RAMP COMPLETE BT-30214

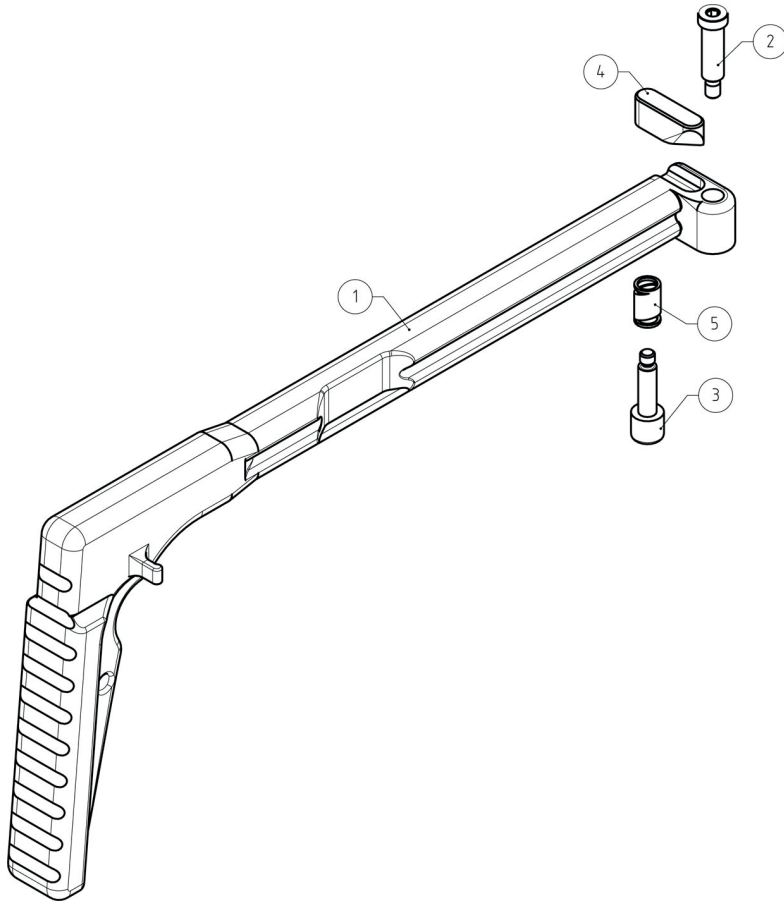


Pos.	Designation	Part No.	Type
1	Ramp	BT-30203	Part
2	Buffer	BT-30134	Part
3	Bolt release lever	BT-30511	Part
4	Roll pin $\varnothing 4 \times 8$	BT-30275	Part

TRIGGER HOUSING COMPLETE BT-30215



Pos.	Designation	Part No.	Type
1	Trigger housing	BT-30192	Part
2	Hammer	BT-30173	Part
3	Hammer spring	BT-30218	Part
4	Locking sear spring	BT-30219	Part
5	Locking sear	BT-30191	Part
6	Clevis pin	BT-30199	Part
7	Firing pin safety lever	BT-30499	Part
8	Trigger safety spring	38/2/1	Part

FOLDING STOCK COMPLETE BT-30331

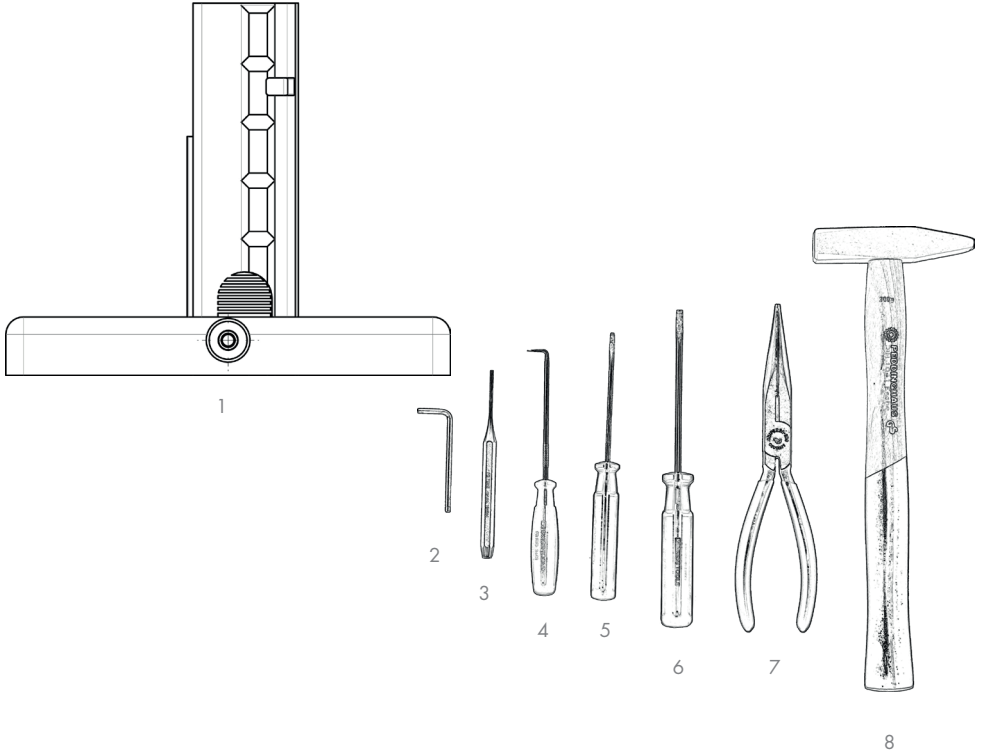
Pos.	Designation	Part No.	Type
1	Folding stock	BT-30234	Part
2	Stock pivot pin	BT-30116	Part
3	Stock release knob	BT-30184	Part
4	Locking bar	BT-30185	Part
5	Folding stock spring	BT-30273	Part

PART 2: TOOLS & GAUGES

OPERATOR TOOLS

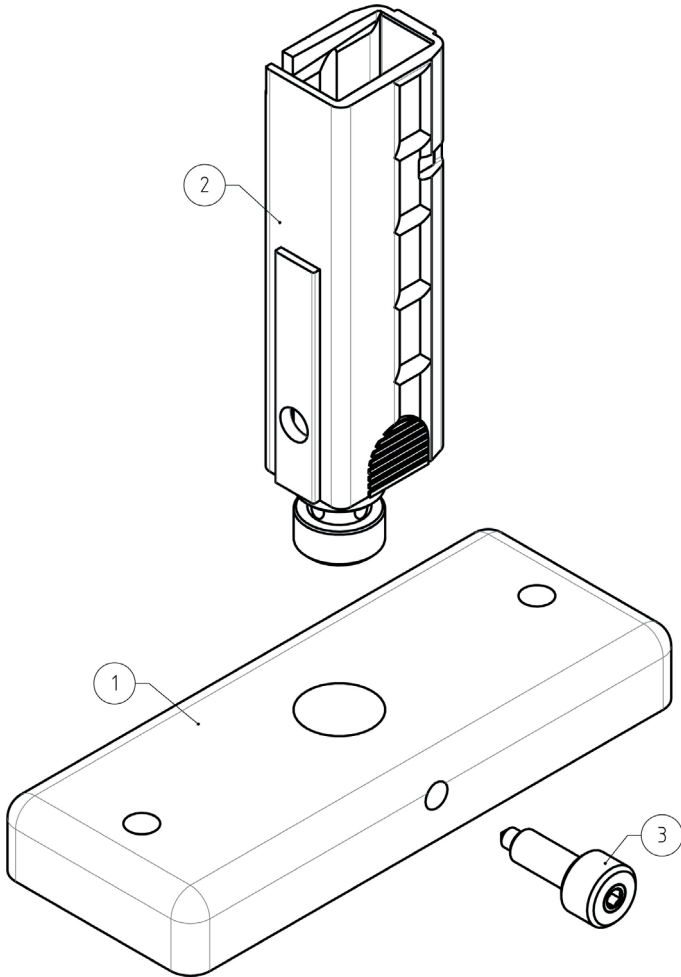
Pos.	Designation	Part No.	Type
1	Handle PVC black	n/a	Part
2	Utility nylon brush	SC-TBRUSH	Part
3	Scraper	BT-23297	Part
4	Brass brush	SC-65B_MS	Part
5	Wool mop	SC-62B_MS	Part
6	Nylon brush	SC-63B_MS	Part

ARMORER TOOLS



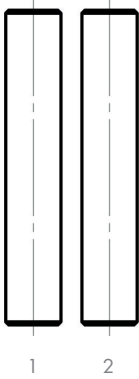
Pos.	Designation	Part No.	Type
1	Weapon fixture (other solutions possible)	BT-30464	Assembly page 23
2	Allen wrench 3mm	BR-424020.0400	Part
3	Pin punch 2mm	BR-453491.0300	Part
4	Lifting point	BR-445350.7679	Part
5	Screw driver No. 0	BR-434000.0200	Part
6	Screw driver No. 1	BR-434000.0300	Part
7	Needle-nosed pliers	BR-440450.0300	Part
8	Hammer 200g	BR-452000.0300	Part
9	Toolbox (w/o picture)	BT-30542	Part

WEAPON FIXTURE BT-30464



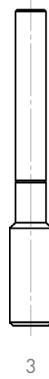
Pos.	Designation	Part No.	Type
1	Plate	BT-30462	Part
2	Support	BT-30539	Part
3	Screw	BT-30541	Part

GAUGES BT-30568

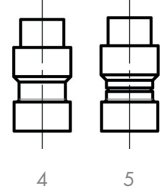


1

2



3

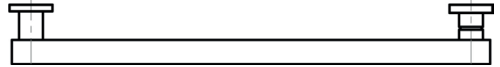


4

5



6



7

Pos.	Designation	Part No.	Type
1	Drop gauge 8.66mm	BT-30566	Part
2	Drop gauge 8.71 mm	BT-30567	Part
3	Barrel wear out gauge 8.73mm	BT-30545	Part
4	Headspace gauge GO	BT-30470	Part
5	Headspace gauge NO-GO	BT-30471	Part
6	Firing pin protrusion gauge	BT-30538	Part
7	Extractor gauge	BT-30473	Part
8	Box (w/o picture)	BT-30569	Part

THE MANUFACTURER

B&T AG

P.O. Box 174

3608 Thun • Switzerland

Fon +41 33 334 67 00

Fax +41 33 334 67 01

info@bt-ag.ch

www.bt-ag.ch