

BARRETT



REC7[®] DI
OPERATOR'S MANUAL



TABLE OF CONTENTS

- 2 MANUFACTURER'S DISCLAIMER**
- 2 WARRANTY AND SERVICE**
- 3 USE OF THIS MANUAL**
- 3 SAFETY GUIDELINES**
- 5 DESCRIPTION OF FIREARM**
- 5 BREAK-IN PROCEDURE**
- 5 SPECIFICATIONS**
- 6 MAJOR COMPONENTS**
- 6 SAFETY MECHANISM**
- 7 LOADING AND FIRING**
- 8 UNLOADING**
- 9 DISASSEMBLY**
- 13 CLEANING AND LUBRICATION**
- 16 TROUBLESHOOTING**
- 18 EXPLODED VIEW AND PARTS LIST**

MANUFACTURER'S DISCLAIMER

BFMI will not be responsible for injury, death, or damage to property resulting from either intentional or accidental discharge of this firearm or from its function when used for purposes or subjected to treatment for which it was not designed. BFMI will not honor claims involving this firearm which result from careless or improper handling, unauthorized adjustment or parts replacement, corrosion, neglect, the use of the wrong caliber ammunition, or the use of other than commercially manufactured ammunition in good condition, or any combination thereof.

WARRANTY AND SERVICE

For one year from date of purchase, Barrett Firearms Manufacturing Inc. (BFMI), warrants to the original owner, that this product was manufactured free of defects in materials and workmanship. BFMI will correct any defect covered under the warranty by repair or replacement with the same or comparable model. BFMI will not be responsible for injury, death, or damage to property resulting from either intentional or accidental discharge of this firearm or from its function when used for purposes or subjected to treatment for which it was not designed. BFMI will not honor claims involving this product which result from careless or improper handling, unauthorized adjustment or parts replacement, corrosion, neglect, the use of the wrong caliber ammunition, or the use of other than commercially manufactured ammunition in good condition, or any combination thereof. Please visit **barrett.net** for any additional information.

If you need factory service, whether covered under warranty or not, please contact BFMI for instructions on how to have your rifle repaired.

Barrett Firearms Manufacturing Inc.
P.O. Box 1077
Murfreesboro, TN 37133-1077
615-896-2938

USE OF THIS MANUAL

Read this manual before you use or manipulate your Barrett product. It is important that you understand the principles of safe gun handling in general and the features of this product. This manual is not a substitute for training from a qualified instructor. Important safety topics are discussed in this chapter and throughout this manual. This manual should remain with the product and it should be transferred with the product to subsequent owners. Additional manuals can be ordered from Barrett Firearms Manufacturing or can be downloaded from the company website, **barrett.net**. Technical specifications are subject to change without notice. Please ensure you have the most updated revision of this manual by checking **barrett.net**. The revision letter can be found on the back of this manual.

SAFETY GUIDELINES

WARNING

FAILURE TO FOLLOW SAFETY GUIDELINES MAY CAUSE INJURY OR DEATH

AMMUNITION

Do not use hand loaded, re-manufactured, or surplus ammunition. Always use new, clean, dry, properly stored, and correct caliber ammunition from reputable manufacturers.

SAFETY DISTANCE

Bullets fired from this rifle may travel as far as 4 miles. Make certain that you have an adequate backstop.

HEARING PROTECTION

Always wear adequate hearing protection when the rifle is firing; wear both earplugs and shooting muffs together for maximum protection. This includes observers. Observers should always be behind the shooter.

EYE PROTECTION

Appropriate eye protection should be worn when both shooting and maintaining your rifle. It is normal for firing to generate airborne dust and debris. Protect your eyes from solvents and uncaptured parts under spring pressure while performing maintenance on your rifle.

MUZZLE CONTROL

Always keep the muzzle pointed in a safe direction. Never allow your

muzzle to point at anything that you do not intend to shoot. Upon firing the muzzle brake releases high-pressure gas from its side ports that can damage objects or cause injuries, keep everything away from the vicinity of the muzzle brake.

ASSUME EVERY GUN IS LOADED

Always treat every gun as if it were loaded. Look and feel for an empty chamber. Do not trust the extractor to provide an empty chamber.

BEWARE OF BARREL OBSTRUCTIONS

Ensure the barrel's bore is free of obstructions before you fire your rifle. Even the smallest obstruction such as a stuck patch or even grease will cause increased pressures that can rupture the barrel.

KEEP YOUR FINGER OFF THE TRIGGER

Keep your finger off the trigger and out of the trigger guard until your sights are aligned on your target and you intend to fire.

KEEP YOUR SAFETY ON

Keep your safety on until your sights are aligned on your target and you intend to fire. Please note that the safety lever will not rotate into the "SAFE" position until the bolt is open or the hammer is cocked.

FAILURE TO FIRE

If your rifle fails to fire when you pull the trigger, do not pull the charging handle. Keep the rifle pointed toward a safe area and wait 2 minutes. If a hang-fire (slow ignition) has occurred, the round will probably fire within two minutes. If the round does not fire, remove and inspect the cartridge. If the primer is indented properly, discard it in a safe manner.

MAINTAIN YOUR RIFLE PROPERLY

Performing proper maintenance, as outlined in this manual, insures that your rifle will be safe to shoot and will perform to design specification for many years. Alterations, modifications or adjustments may damage your rifle, make it unsafe to fire and will void warranty claims.

STORE YOUR RIFLE SAFELY

It is your responsibility to take reasonable precaution to secure your rifle, keep it properly secured and prevent unauthorized use.

ALCOHOL, MEDICATIONS AND DRUGS

Do not handle or operate your rifle under the influence of alcohol, medication or drugs.

DESCRIPTION OF FIREARM

- The REC7 is a lightweight, semi-automatic, magazine-fed, air cooled rifle with a rotating bolt actuated by direct gas impingement.
- User-selected accessories may be mounted on Mil-Std 1913 top rail.
- Side and bottom areas of the Barrett Rail System offer positions for mounting rail sections or accessories.

BREAK-IN PROCEDURE

Barrett does not offer a specific procedure for barrel break-in other than checking for obstructions and using your new rifle.

Experience has shown that the bore becomes less prone to fouling over time and that accuracy may improve with use. Ensure that the rifle is adequately lubricated and follow the loading/unloading and safety procedures when operating your rifle.

SPECIFICATIONS

Configuration	Caliber	Barrel Length	Twist	Weight	Length	Muzzle Threads
REC7 DI Carbine	5.56 NATO	16 in (406 mm)	1-7 in	6.7 lbs (3 kg)	33.25 in (844.6 mm)	1/2 x 28
	6.8 SPC		1-10 in			5/8 x 24
	.300 BLK		1-7 in			5/8 x 24
REC7 DI SBR	5.56 NATO	10.25 in (260 mm)	1-7 in	5.7 lbs (2.6 kg)	26.375 in (669.9 mm)	1/2 x 28
	.300 BLK					5/8 x 24
REC7 DI Pistol	5.56 NATO	10.25 in (260 mm)	1-7 in	5.6 lbs (2.5 kg)	28 in (711.2 mm)	1/2 x 28
	.300 BLK					5/8 x 24

NOTE: INDIVIDUAL RIFLE SPECIFICATIONS AND WEIGHT MAY VARY PER ORDER AND CONFIGURATION.

Barrett reserves the right to change specifications without notification. Check **barrett.net** for updates.

MAJOR COMPONENTS - FIGURE 1

1. Upper Assembly
2. Bolt Carrier Assembly
3. Lower Assembly
4. Magazine

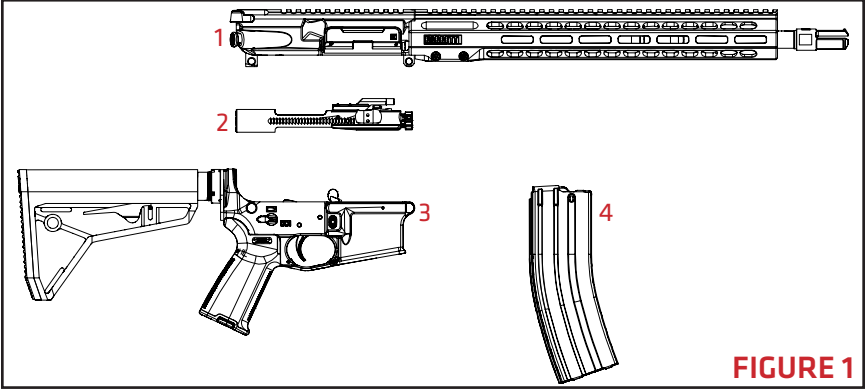




FIGURE 1

SAFETY MECHANISM - FIGURE 2

The REC7 rifles have a two-position safety: safe () or fire (). Rotating the safety lever to the safe position will prohibit the rifle from firing.

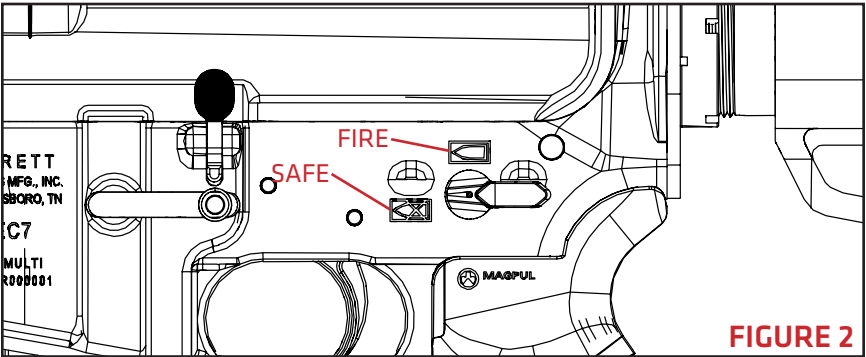



FIGURE 2

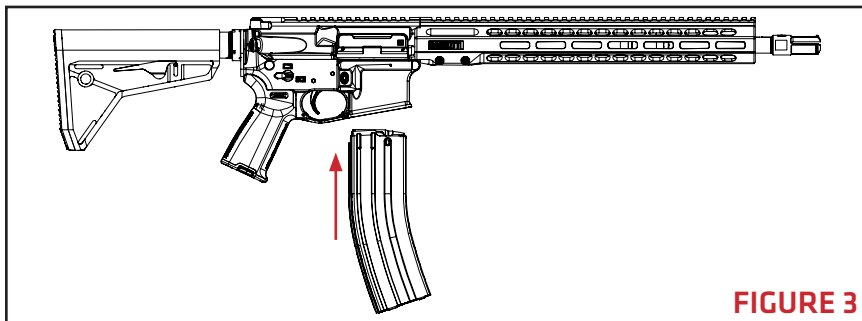
NOTE: THE HAMMER MUST BE COCKED IN ORDER FOR THE SELECTOR TO BE PLACED ON SAFE.

LOADING AND FIRING

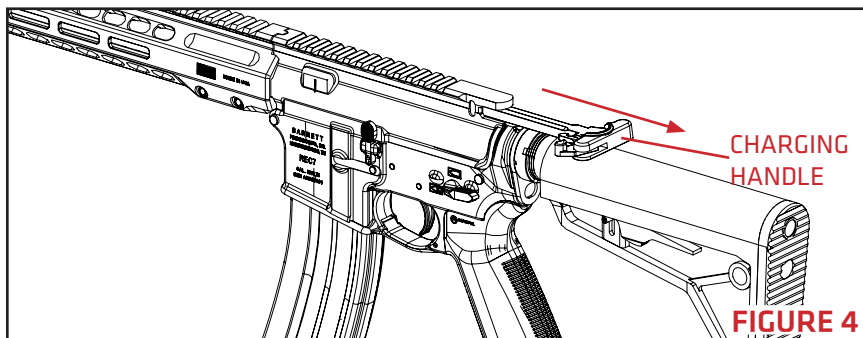
⚠ WARNING


KEEP MUZZLE POINTED IN A SAFE DIRECTION UNTIL READY TO FIRE

1. Ensure the safety lever is in the safe () position.
2. Insert a loaded magazine fully into the magazine well until the catch engages and holds the magazine in place (**FIGURE 3**). Tap the magazine upward to ensure the magazine is fully seated, then pull down on the magazine to ensure proper retention.




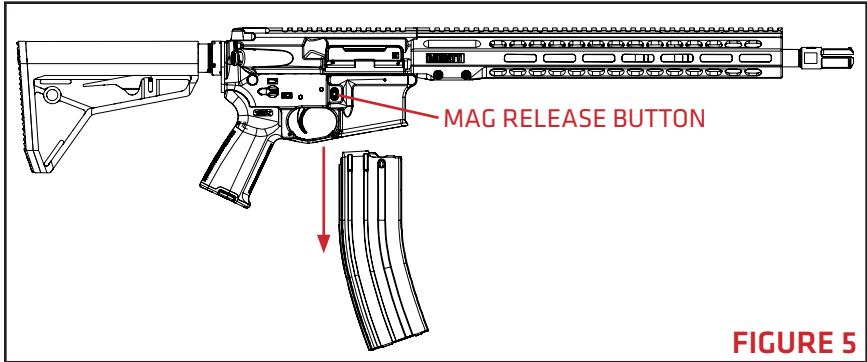
3. Pull the charging handle back to the rear. Once the charging handle is in the rearward most position, release handle with both fingers and let the handle go forward without any assistance. This will ensure the full force of the buffer spring is utilized to chamber the first round (**FIGURE 4**).



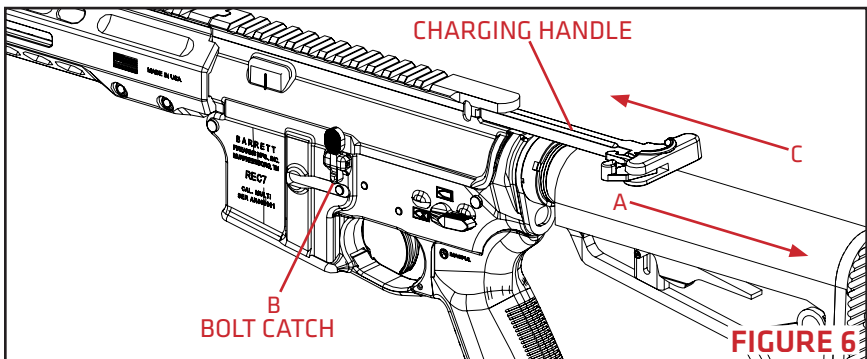
4. Rotate the safety lever to the fire () position. The rifle is now able to fire.

UNLOADING

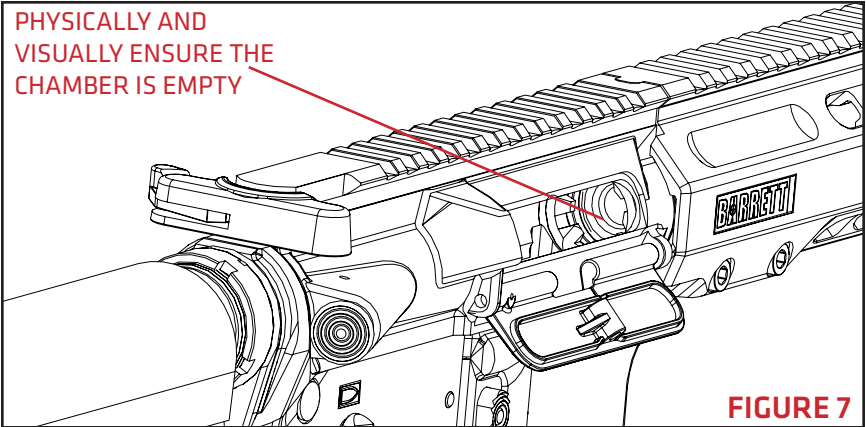
1. Rotate the safety lever to the safe () position (**FIGURE 1**).
2. Remove the magazine by depressing the magazine release button and allowing it to fall free (**FIGURE 5**).


**FIGURE 5**

3. Lock the bolt open by pulling and holding the charging handle rearward (**FIGURE 6-A**) and depressing the bottom of the bolt catch (**FIGURE 6-B**). Release tension on the charging handle and ensure the bolt is held open. Push the charging handle forward until it latches (**FIGURE 6-C**).

**FIGURE 6**

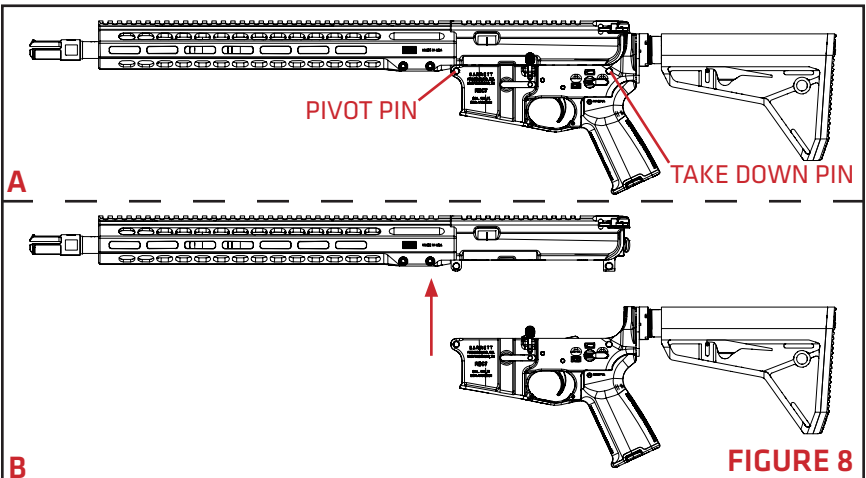
4. With the bolt locked open, visually and physically inspect the chamber and magazine well to ensure that it is empty of any live ammunition (**FIGURE 7**).



5. Ensure the selector switch is on SAFE (). Always store the rifle with the bolt forward in the closed position. Close the bolt by pulling back on the charging handle and slowly allowing the bolt to slide forward.

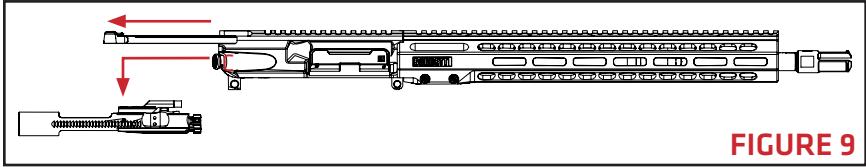
DISASSEMBLY

1. Ensure rifle is unloaded and clear by following the steps in the **UNLOADING** section. With the safety on and bolt closed, push the take down pin (rear most pin) until it clears its detent and stops. Push the pivot pin (forward most pin) until it clears its detent and stops (**FIGURE 8-A**). Take down and pivot pins are captured and cannot be removed. Separate the upper and lower receivers (**FIGURE 8-B**).



DISASSEMBLY OF UPPER RECEIVER COMPONENTS

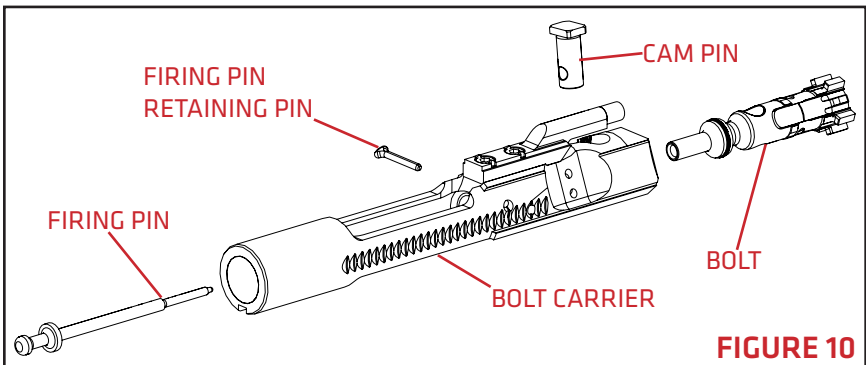
1. Pull back the charging handle and withdraw the bolt carrier assembly (**FIGURE 9**).

**FIGURE 9**

2. Slide the charging handle out of its track and remove it.

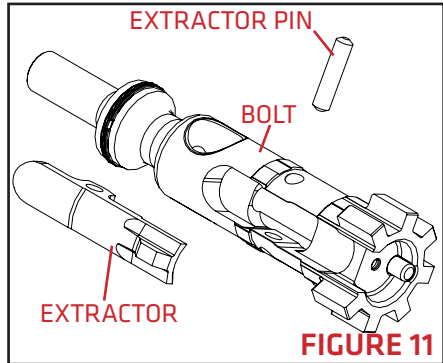
DISASSEMBLY OF THE BOLT CARRIER - FIGURE 10

1. Remove the firing pin retaining pin from the bolt carrier. Gently push or pull the pin out of the bolt carrier.
2. Remove the firing pin from the bolt carrier. Using a clean, soft surface, lightly strike the rear of the bolt carrier to assist in removal (Never use a sharp object to push the firing pin out of the bolt).
3. To remove cam pin, push the bolt into the bolt carrier then rotate the cam pin until the flats will clear the gas key. The cam pin should extract by hand.
4. Remove bolt from the bolt carrier.

**FIGURE 10**

DISASSEMBLY OF THE BOLT - FIGURE 11

1. Use a pin punch to remove the extractor pin. Applying downward pressure to the rear of the extractor directly above the extractor spring will aid in removal of extractor pin. Be aware that the extractor spring and extractor are under compression.
2. Remove the extractor assembly.
3. Further disassembly of the bolt is not necessary for field maintenance.



NOTE: DISASSEMBLY OF THE EXTRACTOR SPRING FROM THE EXTRACTOR ASSEMBLY IS NOT REQUIRED FOR REGULAR CLEANING AND IS NOT RECOMMENDED. DISASSEMBLE ONLY WHEN EXCESSIVE DEBRIS PREVENTS NORMAL OPERATION OR PARTS ARE DAMAGED.

DISASSEMBLY OF LOWER RECEIVER**⚠ CAUTION**

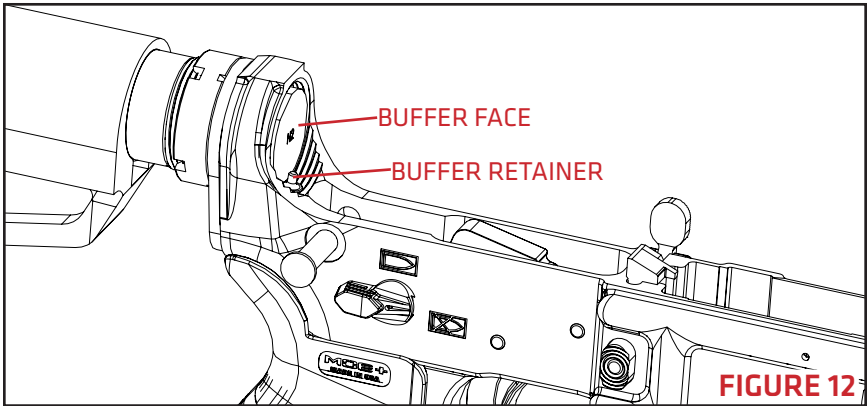
THE DISASSEMBLY OF TRIGGER COMPONENTS SHOULD ONLY BE ACCOMPLISHED BY A QUALIFIED ARMORER.

⚠ WARNING

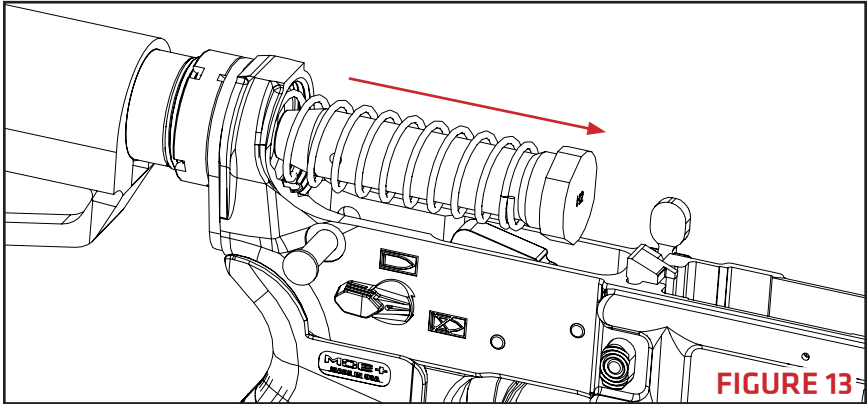
THE BUFFER RETAINER IS UNDER STRONG SPRING PRESSURE. IF NOT PROPERLY RETAINED, IT CAN BE LAUNCHED FROM ITS TUBE AND CAUSE INJURY.

NOTE: DO NOT PULL THE TRIGGER WHILE THE LOWER RECEIVER IS DISASSEMBLED FROM THE UPPER RECEIVER. THE HAMMER WILL STRIKE THE RECEIVER AND MAY DAMAGE OR BREAK THE RECEIVER AND/OR BOLT CATCH.

1. Push on the buffer face with finger pressure while holding the buffer retainer down with a punch (**FIGURE 12**).



2. Carefully remove the buffer and spring assembly (**FIGURE 13**).



NOTE: THE BUFFER RETAINER DOES NOT HAVE TO BE HELD DOWN WHEN REINSTALLING THE SPRING AND BUFFER.

NOTE: ASSEMBLY OF COMPONENTS IS THE REVERSE PROCEDURE OF DISASSEMBLY.

CLEANING AND LUBRICATION

Periodic cleaning and lubrication is important for a long life of high performance from your rifle and prevents the corrosive effects of moisture.

Materials used for cleaning can be found online at barrett.net/store.

WARNING

UNLOAD THE RIFLE BEFORE CLEANING. ENSURE THAT NO LIVE AMMUNITION IS PRESENT DURING CLEANING.

CAUTION

DO NOT INSERT CLEANING RODS THROUGH THE MUZZLE. THE BARREL CROWN COULD BE DAMAGED WHICH WOULD SEVERELY DEGRADE THE ACCURACY OF THE RIFLE.

CAUTION

EYE PROTECTION IS RECOMMENDED WHILE CLEANING.

CLEANING PROCEDURE

The rifle should be cleaned and lubricated after each shooting session.

1. Clean the chamber area with an appropriate sized brush and solvent. Inspect for irregular or excessive carbon build-up, scoring or other chamber damage.
2. Swab the chamber with a clean, dry, patch prior to next use. **A bore guide is recommended for bore and chamber cleaning.**
3. Clean the bore with an appropriate sized bore brush and solvent. Clean from chamber to muzzle ONLY, as cleaning in this direction minimizes opportunity for damaging the muzzle crown.
4. Swab the bore with a clean, dry patch prior to next use.
5. Clean the muzzle device with a stiff plastic brush and bore

solvent. It is best to clean the muzzle device at the same time the barrel is being cleaned as the bore solvent will help loosen carbon build-up on its interior walls.

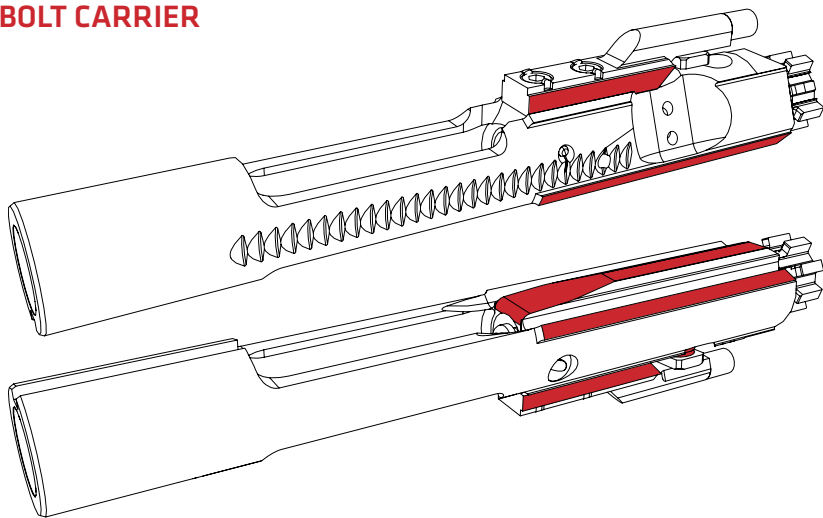
6. Clean the bolt face with bore solvent. Use a stiff plastic brush to remove debris from both the extractor and the ejector. Depress the ejector and extractor by hand to test their smooth function.
7. Use dry patches as necessary to remove cleaner from the bolt face and locking lugs.
8. Clean the remainder of the rifle with cotton-tipped swabs, general purpose brushes and cleaning cloths.

LUBRICATION POINTS (FIGURE 14)

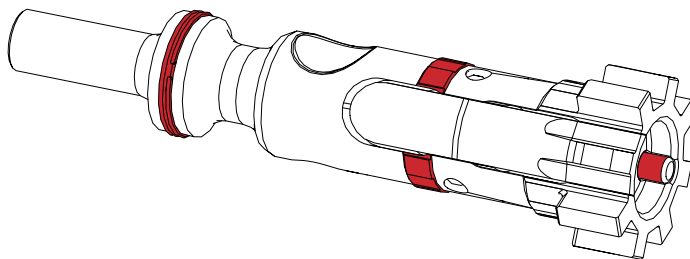
- Do not add lubricant to the interior of the magazine
- Do not lubricate ammunition
- Do not lubricate the chamber and bore
- Never store your rifle in a wet carrying case

It is advised to apply a light coat of temperature appropriate lubricant to all functional parts. Recommended lubrication points are in red.

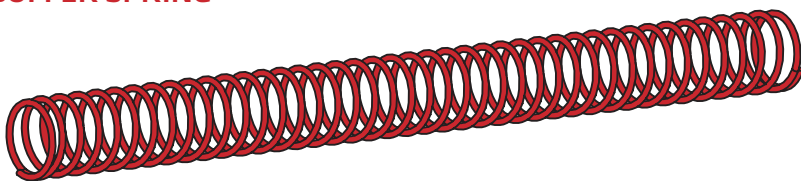
BOLT CARRIER



BOLT



BUFFER SPRING



CHARGING HANDLE

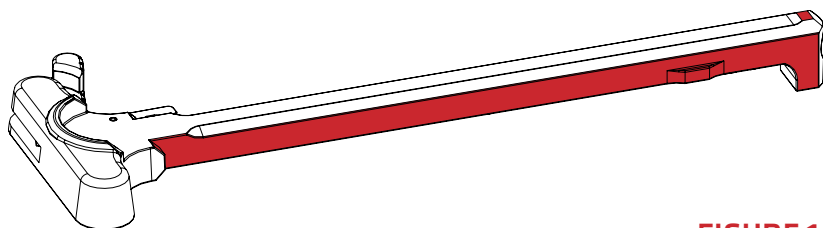


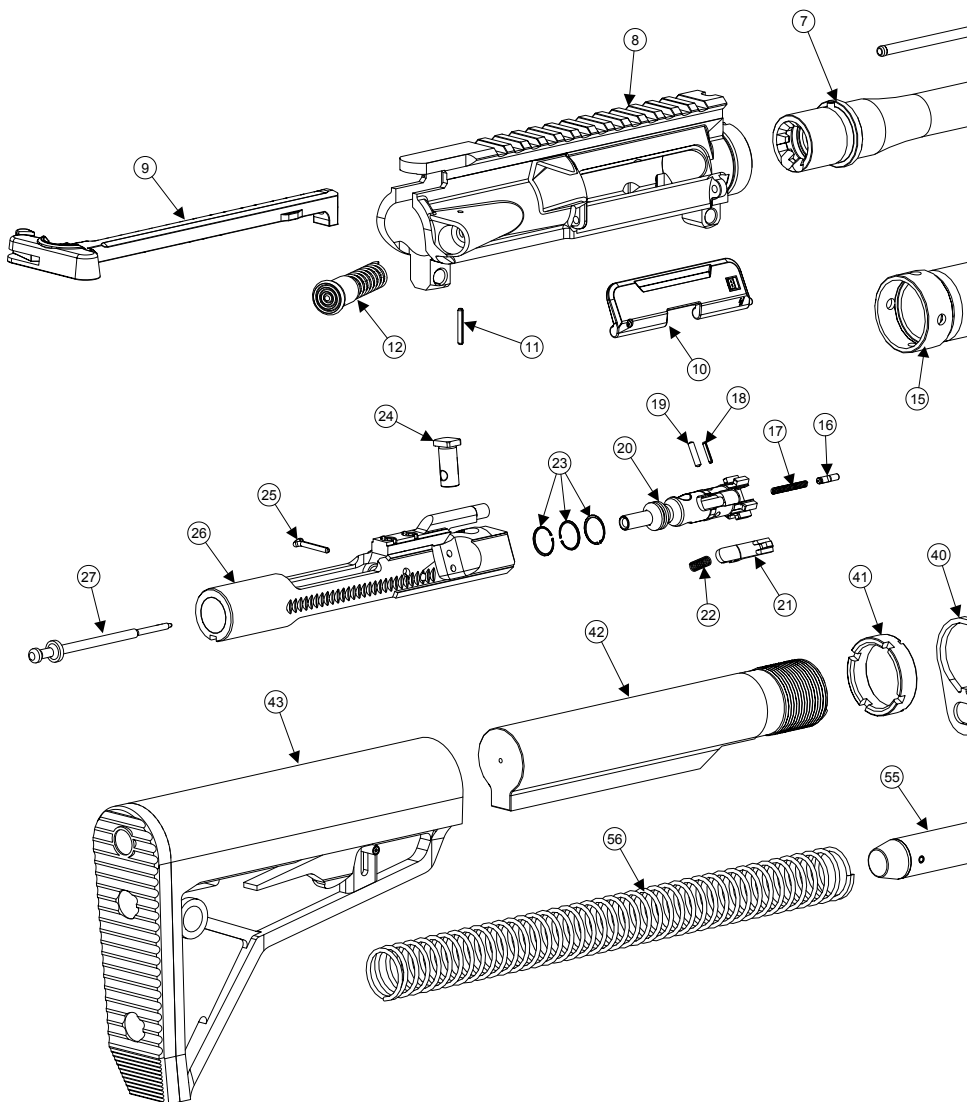
FIGURE 14

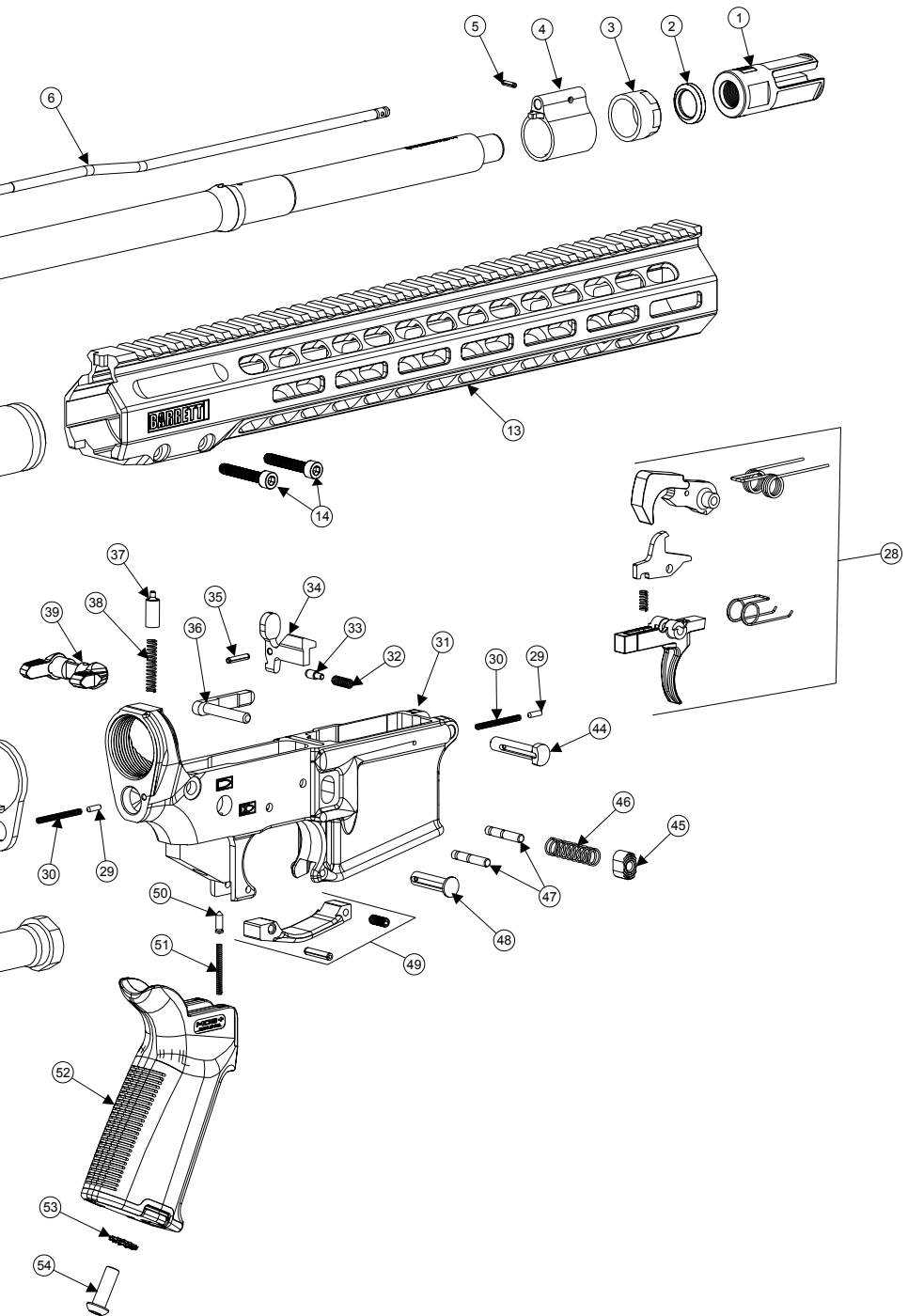
TROUBLESHOOTING

MALFUNCTION	CAUSE	CORRECTIVE ACTION
FAILURE TO FEED	Did not draw bolt carrier fully to rear	Retract bolt carrier fully to the rear
	Magazine not seated	Seat magazine
	Damaged magazine	Replace or repair magazine
FAILURE TO CHAMBER	Damaged cartridge	Remove and replace cartridge
	Dirty or obstructed chamber	Clean chamber
FAILURE TO GO INTO OR OUT OF BATTERY	Obstruction in barrel extension	Disassemble and clean
	Bolt and barrel extension binding upon closing	Ensure proper installation of bolt/bolt carrier.
FAILURE TO FIRE	Faulty ammunition	Replace ammunition
	Obstructed or damage firing pin	Disassemble and clear obstruction; replace firing pin if necessary
FAILURE TO EXTRACT	Broken or worn extractor	Replace extractor
	Broken or worn extractor spring	Replace extractor spring
	Extractor not moving freely	Clean extractor, extractor spring, and hole
	Dirty ammunition or chamber	Clean chamber and ensure ammunition is clean
	Broken case rim	Clear chamber
FAILURE TO EJECT	Broken or worn ejector	Replace ejector
	Broken or worn ejector spring	Replace ejector spring
	Ejector not moving freely	Clean ejector, ejector spring, and hole

PAGE INTENTIONALLY LEFT BLANK

EXPLODED VIEW AND PARTS LIST





PART NO.	DESCRIPTION	QTY.
1	Flash Hider	1
2	Crush Washer	1
3	Gas Block Nut	1
4	Gas Block	1
5	Gas Tube Retention Pin	1
6	Gas Tube	1
7	Barrel Complete	1
8	Upper Receiver	1
9	Charging Handle	1
10	Ejection Port Cover Assembly	1
11	Forward Assist Roll Pin	1
12	Forward Assist Assembly	1
13	BRS (Barrett Rail System)	1
14	Handguard Screw	2
15	Barrel Nut	1
16	Ejector	1
17	Ejector Spring	1
18	Ejector Pin	1
19	Extractor Pin	1
20	Bolt	1
21	Extractor	1
22	Extractor Spring	1
23	Piston Ring	3
24	Cam Pin	1
25	Firing Pin Retention Pin	1
26	Bolt Carrier	1
27	Firing Pin	1
28	Hammer/Trigger Assembly	1

PART NO.	DESCRIPTION	QTY.
29	Takedown Detent	2
30	Takedown Detent Spring	2
31	Lower Receiver	1
32	Bolt Catch Spring	1
33	Bolt Catch Plunger	1
34	Bolt Catch	1
35	Bolt Catch Pin	1
36	Magazine Catch	1
37	Buffer Retainer	1
38	Buffer Retainer Spring	1
39	Safety	1
40	Receiver End Plate	1
41	Receiver Extension Nut	1
42	Receiver Extension	1
43	Buttstock	1
44	Pivot Pin	1
45	Magazine Release Button	1
46	Magazine Catch Spring	1
47	Trigger/Hammer Pin	2
48	Takedown Pin	1
49	Trigger Guard Assembly	1
50	Safety Detent	1
51	Safety Detent Spring	1
52	Pistol Grip	1
53	Pistol Grip Washer	1
54	Pistol Grip Screw	1
55	Buffer	1
56	Buffer Spring	1



P.O. Box 1077
Murfreesboro, TN 37133 USA
615.896.2938
615.896.7313 fax
barrett.net