

*Owner's Manual*  
SHOOTERS ARMS  
SEMI-AUTO PISTOLS  
Cal. .45 ACP



Congratulations on your purchase of a Shooters Arms Semi-Auto Pistol. With proper care and handling, it will give you long, reliable service. The Shooters Arms Pistols are chambered for the .45 ACP cartridge.

We specifically disclaim any responsibility for damage or injury whatsoever, occurring as a result of the use of faulty, non-standard or remanufactured ammunition, any modifications or changes made to the firearm; improper use or unsafe handling of the firearm.

Always keep this manual with your firearm. Make sure you understand all the warnings, operation instructions and safety procedures. When you lend, give or sell the firearm, be sure this manual goes with it. You can get a copy of this manual from Century Arms, Inc. on request.

**FIREARMS SAFETY IS THE SOLE RESPONSIBILITY OF THE SHOOTER.  
ALWAYS TREAT ALL FIREARMS AS IF THEY WERE LOADED AT ALL TIMES!**



**IMPORTANT!**

READ ALL INSTRUCTIONS AND WARNINGS IN  
THIS BOOKLET BEFORE USING THIS FIREARM.



## IMPORTANT SAFETY MESSAGE

Children are attracted to and can operate firearms which can cause severe injuries or death. Prevent child access by always keeping guns locked away and unloaded when not in use. If you keep a loaded firearm where a child obtains and improperly uses it, you may be fined or sent to prison.

## Firearm Safety Depends on You

A gun is only as safe as the person operating it. You can never be overly careful when handling a firearm. Carelessness is often the cause of shooting accidents, such as failing to keep the muzzle pointed in a safe direction, not being sure of your target and what is behind it, failing to properly engage the safety, leaving ammunition in the chamber or using improper loads. Since a bullet can never be called back once fired, such errors in gun handling can result in the loss of life, severe injury or property damage thus, it is crucial for your safety and the safety of those around you that you learn the principles of safe gun handling and storage before you begin to use your new firearm. Be a safe shooter - please read this instruction book thoroughly even if this is not your first firearm purchase as not all firearms are the same. The first step in being a safe shooter is to learn the rules for the safe operation and handling of firearms. **There is nothing more important in gun handling than safety.**

## THE TEN COMMANDMENTS OF FIREARM SAFETY

The Ten Commandments of Firearm Safety must be etched into your memory before you begin to handle firearms. These rules are intended to be followed by all persons handling firearms in the field, on the range or at home. Please read, review and understand these rules before you begin to use or even take your new firearm out of its box. Remember, firearms safety depends on you! Memorizing these safety rules will help prevent gun accidents. Please study these safety rules before handling your firearm.

### Commandment #1



#### **Always Keep the Muzzle Pointed in a Safe Direction**

This is the most basic and most important safety rule. A safe direction is one in which an accidental discharge will not cause injury to yourself, to others or property damage. This is particularly important when loading or unloading your firearm. Never point your gun at anything you do not intend to shoot. Treat every gun as if it were loaded at all times.

### Commandment #2



#### **Firearms Should Be Unloaded When Not Actually in Use**

**Firearms should only be loaded when you are in the field or on the target range or shooting area, ready to shoot.** When not in use, firearms and ammunition should be secured in a safe place, separate from each other. Remember to unload your firearm completely so that there is no ammunition in the chamber or magazine. Before handling this or any firearm, or handing it to someone else, visually check the chamber and magazine to ensure they do not contain ammunition. Always keep the gun's action open when not in use. Never assume a gun is unloaded - even if you were the last person to use it. Never cross a fence, climb a tree, wade through a stream or perform any awkward movement with a loaded gun. When in doubt, unload your gun! Never pull or push a loaded firearm

toward yourself or another person. Never carry a loaded gun in a scabbard, a holster not being worn or a gun case - common sense prevails in gun safety!

### **Commandment #3**



#### **Don't Completely Rely on Your Gun's Safety**

**Treat every gun as though it could fire at any time, even if you are not applying pressure to the trigger.** The "safety" on a firearm is a mechanical device which, like any such device, can become inoperable at the worst possible time and fail to function. By mistake, you may think the safety is "ON" when it actually is not. Or you may think your gun is unloaded when there is actually a round of ammunition in it. The safety serves as a supplement to proper gun handling but cannot serve as a substitute for common sense. Never handle a gun carelessly and assume that the gun won't fire just because "the safety is on." Never touch the firearm's trigger until you are ready to shoot. Keep your fingers away from the trigger when loading or unloading. Never pull the trigger when the safety is engaged or when the safety is positioned between the "SAFE" and "FIRE" positions. Never place your finger on the trigger unless you intend to fire.

### **Alcohol, Drugs and Guns Don't Mix. Make No Mistake About It!**

Never handle firearms after consuming alcohol or taking drugs that can affect your judgment. Shoot sober! Alcohol, certain kinds of drugs and firearms don't mix. Safe firearms handling requires alertness and concentration on one's actions. You cannot handle a firearm safely after consuming alcohol. Never consume anything that can impair your judgment or physical coordination when handling a firearm.

### **Commandment #4**



#### **Be Sure of Your Target - And What Is Beyond It!**

**Once fired, a bullet (or shot charge) can never be called back; so before you shoot, know where the bullet is going and what it will strike.** Be certain your shot will not injure someone or strike something beyond the target. Never fire in the direction of noise, a movement or at any object you cannot positively identify. Be aware that a .22 Short bullet can travel over 1 ¼ miles. A centerfire cartridge, such as the .30-06, can send its bullet over 3 miles. Shotgun pellets can travel 500 yards and a shotgun slug has a range of over a half mile. Make sure your shot has a safe backstop such as a hillside. Keep in mind how far the bullet will travel if it misses your intended target. Once fired, a bullet can never be called back. You are responsible for your actions and judgment.

### **Commandment #5**



#### **Use the Correct Ammunition**

**Every firearm is designed to use a certain caliber or gauge of ammunition. It is important that you use the correct ammunition for your firearm.** Information on the correct ammunition to use with your firearm appears in the firearm's instruction manual and the manufacturer's markings on the firearm itself. Use of the wrong ammunition, improperly reloaded ammunition or corroded ammunition can result in the destruction of the firearm, serious personal injury and/or death. Form the habit of examining every round of ammunition before you put it into your gun to ensure it is of the proper gauge or caliber and that it is in good condition.



### **Commandment #6**

**If Your Gun Fails to Fire When the Trigger Is Pulled, Handle With Care**  
If a cartridge or shell does not fire when the trigger is pulled, follow **Commandment #1** and keep the firearm's muzzle pointed in a safe direction. Keep the muzzle down range with the action closed and wait at least 30 seconds (to ensure that the ammunition is not delayed in firing) before carefully opening the action, unloading the firearm and safely disposing of the ammunition.



### **Commandment #7**

**Always Wear Eye and Ear Protection When Shooting**  
Exposure to shooting noise can permanently damage hearing. Flying debris, such as powder residue and ejected cartridge cases, can injure your eyes. Thus, it is only common sense to wear both eye protection (such as shooting glasses) and ear protection (such as a sound-muffling headset) whenever shooting. Also, wear eye protection when cleaning or disassembling your gun to ensure that cleaning solvent and tensioned parts (such as springs) do not come into contact with your eyes.



### **Commandment #8**

**Be Sure the Barrel Is Clear of Obstructions Before Shooting**  
Discharging a firearm with an obstruction in the barrel can result in personal injury, property damage and/or death. Before you load your firearm, check the chamber and magazine to ascertain that no ammunition is inside. Also, check the inside of the barrel (called the "bore") to ensure it is free of obstructions. Even a small amount of mud, snow or excess lubricating oil or grease in the bore can cause excessive pressures resulting in a bulged or burst barrel which can injure or kill the shooter and bystanders. It is a good idea to make a habit of cleaning the bore and checking for obstructions with a cleaning rod just before each shooting session. If the noise or recoil experienced upon firing seems low or weak, or something doesn't feel "right," cease firing immediately and check to make sure that there is no obstruction in the barrel. Placing an undersized shell or cartridge into a gun (such as a 20 gauge shell in a shotgun chambered for 12 gauge ammunition) can result in the smaller round of ammunition falling into the barrel and acting as an obstruction. When a round is subsequently fired, the barrel may burst, causing injury to the shooter and bystanders. For reference, re-read Commandment #5.



### **Commandment #9**

**Do Not Alter or Modify Your Gun and Have It Serviced Regularly**  
Firearms are complex mechanisms that are designed to function properly in their original condition. Any alterations or changes made to a firearm after its manufacture can make the gun unsafe and will void its warranty. Do not jeopardize your safety or the safety of others by altering the trigger, mechanical safety or other mechanisms of your firearm. You should have your firearm periodically checked for proper functioning and serviced by a qualified gunsmith.



### **Commandment #10**

**Learn the Mechanical and Handling Characteristics of Your Firearm**  
Not all firearms operate the same way. The method of carrying, handling and operating firearms varies with the mechanical characteristics of each gun. Thus, you

should never handle any firearm until you become familiar with the safe handling, loading, unloading and carrying procedures for that particular firearm, as well as the rules for safe gun handling in general.



## LEAD WARNING!

Discharging firearms in poorly ventilated areas, cleaning firearms or handling ammunition may result in exposure to lead and other substances known to cause birth defects, reproductive harm and other serious injuries. Have adequate ventilation at all times when shooting. Wash hands thoroughly after exposure.

## Basics of Safe Gun Handling

1. Always keep the muzzle pointed in a safe direction.
2. Firearms should be unloaded when not actually in use.
3. Don't totally rely on your gun's safety.
4. Be sure of your target and what is beyond it.
5. Use the correct ammunition for your firearm.
6. If your gun fails to fire when the trigger is pulled, handle with care.
7. Always wear eye and ear protection when shooting and cleaning.
8. Be sure the barrel is clear of obstructions before shooting.
9. Don't alter or modify your firearm and have your firearm(s) serviced regularly.
10. Learn the mechanics and handling characteristics of the firearm you are using.

**Safe gun handling depends on you! A safe shooter is a knowledgeable shooter.**



**WARNING!** STOP SHOOTING IMMEDIATELY AND UNLOAD YOUR FIREARM if your firearm develops a mechanical malfunction; binding or stoppage, spitting powder/gas, a cartridge primer is punctured, a cartridge case is bulged or ruptured, or the sound on firing does not sound quite right. Do NOT try one more shot, but unload your firearm and take it and the ammunition to a qualified gunsmith or send it back to Century Arms for examination. Do not assume that the firearm is empty merely because you checked the chamber. You must also check the bore for any fired shot or wad jammed inside the barrel.



**WARNING!** Always ensure that the ammunition you are using is clean, undamaged and of the proper caliber before loading your pistol. The manufacturer and distributor of this pistol disclaim any liability for the use of remanufactured, reloaded or hand-loaded ammunition. Protect your investment in this fine firearm by using only factory fresh, quality ammunition. The use of improper caliber or low quality ammunition could result in injury, death and/or property damage upon firing. Remember, firearms safety depends on you!

## Operational Characteristics:

The Shooters Arms (S.A.M.) pistols are based on the classic 1911 design. These pistols are manufactured using the highest quality materials and machined to very exact tolerances. They have passed Shooters Arms' rigorous Quality Control process to insure many years of reliable service.

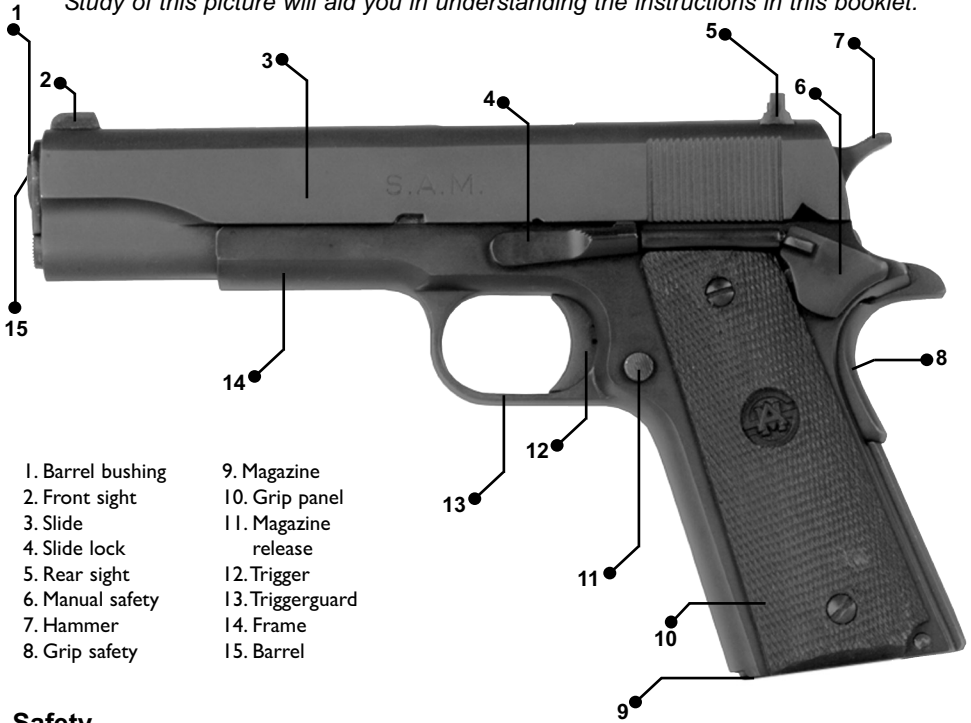
## Specifications:

Technical Data	Elite	Scout	Chief	Military	GI	Commodore
Caliber	.45 ACP	.45 ACP	.45 ACP	.45 ACP	.45 ACP	.45 ACP
Barrel length	5"	4.25"	5"	5"	4.25"	4.25"
Overall length	8.5"	7.75"	8.75"	8.5"	8.5"	7.75"
Weight	2.64 lbs.	2.4 lbs.	2.6 lbs.	2.64 lbs.	2.64 lbs.	2.4 lbs.
Magazine capacity	8 rds.	8 rds.	8 rds.	7 rds.	7 rds.	8 rds.

### Illustration #1

## Diagram showing major operational parts of the Shooters Arms Semi-Auto Pistol

Study of this picture will aid you in understanding the instructions in this booklet.



- |                   |                      |
|-------------------|----------------------|
| 1. Barrel bushing | 9. Magazine          |
| 2. Front sight    | 10. Grip panel       |
| 3. Slide          | 11. Magazine release |
| 4. Slide lock     | 12. Trigger          |
| 5. Rear sight     | 13. Triggerguard     |
| 6. Manual safety  | 14. Frame            |
| 7. Hammer         | 15. Barrel           |
| 8. Grip safety    |                      |

### Safety

These pistols are equipped with two safeties.

**Grip Safety:** To disengage the grip safety, pressure must be applied firmly to the grip strap which will disengage the grip safety. (See Illustration #2.)

**Manual Safety:** The manual safety is located on the left rear of the frame. To activate the safety push it full upwards until it locks into the notch in the slide. (See Illustration #3.)

#### Illustration #2



#### Illustration #3



Safety lever in upper "SAFE" vertical position. The firing pin is blocked, the trigger and hammer are disengaged.

#### Illustration #4



Safety lever in lower "FIRE" horizontal position. The firing pin is not blocked and the trigger will release the hammer if pulled. Pulling the trigger when the safety lever is in the horizontal position will result in the pistol firing if there is a round in the chamber! Exercise extreme caution when handling pistol in this condition.

## To Load the Magazine

1. If the magazine is installed in the pistol, press the magazine release button which is located at the rear of the triggerguard on the left side of the frame. (See Illustration #5.)
2. Grasp the base of the magazine and remove it from the magazine well. (See Illustration #6.)
3. Place a round of ammunition of the proper caliber between the lips of the magazine, press down and back until it is held in place by the feed lips. (See Illustration #7.)
4. Place the next round on top of the previous round pressing down and back. Continue this until the desired number of rounds are loaded. (Depending on what model you have it can hold either 7 or 8 rounds.)

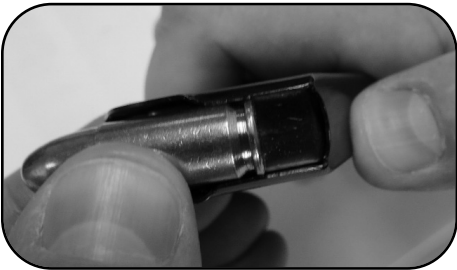
Illustration #5



Illustration #6



Illustration #7



## To Load the Pistol



**WARNING!** Before loading, make sure the inside of the barrel is free of dirt or other obstructions.

**WARNING!** Always check each cartridge to ensure it is of the correct caliber before loading the firearm.

**WARNING!** Keep fingers away from the trigger while loading.

**WARNING!** Keep muzzle pointed in a safe direction.

1. Follow the steps above to load the magazine.
2. Keeping the pistol pointed in a safe direction with your finger away from the trigger, install the loaded magazine into the magazine well. Pulling down lightly on the magazine to insure it is properly locked in place. (See Illustration #8.)
3. When you are ready to fire the pistol, hold the pistol firmly, using your other hand grasp the serrated grooves on the rear of the slide and pull the slide fully rearward. Then release the

slide allowing it to go forward, which will strip a live round from the magazine and move it into the chamber.

4. **WARNING! YOUR PISTOL IS NOW LOADED AND READY TO FIRE!**

5. If you do not want to fire the pistol at this time, push the manual safety upwards until it locks into the notch on the slide while keeping your muzzle pointed in a safe direction. (See Illustration #3.)



**WARNING!** Pulling the trigger when the safety lever is in the down position will result in the pistol firing a round. To avoid serious injury, death or causing property damage, make sure you know the “SAFE” and “FIRE” positions of the safety lever before attempting to load your pistol!

**WARNING!** The pistol is now loaded and will fire if the safety lever is moved to the “FIRE” position and the trigger is pulled! Handle with extreme caution and keep the muzzle end of the barrel pointed in a safe direction!

Illustration #8



### To Fire the Pistol

1. Keeping the **10 Commandments of Shooting Safety** in mind, aim the pistol downrange at the target. When firing this pistol you may need to experiment with different shooting styles until you find the method which best suits your sporting activity. Remember to always fire the pistol in such a manner that you can maintain a safe muzzle direction at all times.
2. If you just loaded the pistol or have a loaded chamber but hammer is fully forward, disengage the safety and see step #3.
3. Fully cock the hammer while keeping your finger away from the trigger. (See Illustration #9.)
4. Place your finger inside the trigger guard and on the trigger.
5. Aim by matching target with front and rear sights. (See Illustration #10.)
6. Keeping steady aim, place your index finger on trigger and squeeze gently until the hammer falls. Do not jerk the trigger as you will disturb your aim and spoil your accuracy. To fire a second and subsequent rounds, all that is necessary is to release the trigger and squeeze it again lightly after every shot until you have completed firing.
7. Once you have finished firing remove your finger from the trigger. If the last round has been fired the slide will lock back to the rear. If the slide is closed place the manual safety in the safe position. (See Illustration #3.)



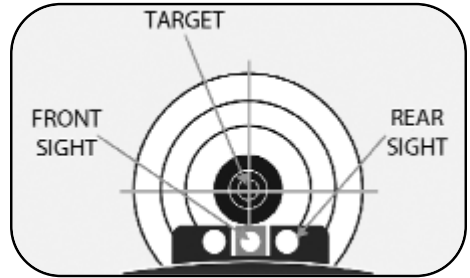
**Note: If the trigger is pressed again, the pistol will fire! Keep the pistol pointed in a safe direction.**



Illustration #9



Illustration #10



**WARNING!** Always unload your pistol immediately after use and prior to cleaning and storage to minimize the risk of an accidental discharge. If your pistol ever fails to fire keep it pointed at the target for at least 30 seconds in the event of a hangfire (slow ignition). If the round still does not fire, remove the magazine, eject and discard the bad round. Reload the pistol to resume firing.

## Unloading the Pistol



**WARNING!** Keep muzzle pointed in a safe direction.

**WARNING!** This pistol will fire with the magazine removed if there is a cartridge in the chamber and if the trigger is pulled.

1. Press the magazine release button and remove the magazine. (See Illustration's #5 & #6.) Look to insure there are no rounds remaining in the magazine. If the magazine still has live rounds in it, push them forward and out of the magazine until the magazine is empty. **Note: If the slide is fully locked to the rear Step #2 does not apply!**
2. While keeping the pistol pointed in a safe direction and your finger away from the trigger. Hold the pistol firmly by the grip; using your other hand grasp the serrated grooves on the rear of the slide and pull the slide to the rear while pressing up on the slide stop until it engages and locks the slide in place. (See Illustration #11.) This will remove the round from the chamber.
3. With the slide locked back visually inspect the chamber making sure it is empty.
4. While keeping the pistol pointed in a safe direction and your finger off of the trigger, press the slide stop down, which will allow the slide to go forward on the empty chamber. Point the pistol in a safe direction and pull the trigger allowing the hammer to fall on the empty chamber. Install the empty magazine into the magazine well and push up until it locks in place. Pull down lightly on the empty magazine to insure it is locked in place.

Illustration #11





**WARNING!** If dropped, any firearm could fire when there is a cartridge in the chamber and the safety lever is in the “FIRE” position.

**WARNING!** Do not carry with a live cartridge in the chamber unless manual safety is engaged.

## Field Stripping



**WARNING!** Before beginning the disassembly process, check to ensure the pistol is not loaded. To do so, follow the procedures detailed in the **Unloading the Pistol** section on page 9.



**WARNING!** Wear eye protection, such as shooting glasses or goggles, when disassembling your firearm to protect your eyes from tensioned parts, such as springs that could be dislodged during disassembly.

1. With your finger off the trigger and the muzzle pointed in a safe direction, pull the slide fully rearward.
2. Press the magazine catch (19) and remove the magazine.
3. Visually check the chamber to ensure that it is empty.
4. Press down on the slide stop (41) and allow the slide to move forward. (See Illustration #12.)
5. Place the butt of the pistol on a hard surface while observing the muzzle, depress the recoil plug and turn the barrel bushing. Make sure that the recoil plug and spring are pointed away from your body to avoid injury if the spring is accidentally released. (See Illustration #13.)  
**Note: The plug in under spring pressure and must be controlled!**
6. Remove the recoil spring plug (34) and recoil spring (32).
7. Move the slide back about 1 inch and line up the notch in the slide with the slide stop (41) See Illustration #14) and press the slide stop out.
8. Pull the slide forward off the frame. The recoil spring guide (33) will fall out.
9. Rotate the barrel bushing (See Illustration #15) and remove.
10. Slide the barrel forward and out of the slide.

Illustration #12



Illustration #13



Illustration #14



Illustration #15



## Reassembly

1. With the slide upside down, slide the barrel fully rearward into the slide.
2. Place the recoil spring guide (round side up) on the barrel and push it forward until it stops (See Illustration #16.)
3. Install the frame on to the slide.
4. Move the slide back until the slide stop can be inserted through the frame. **Note: The barrel link (3) must be properly orientated. Rotate the slide stop until it is aligned with the slot on the frame and slide and press it in. (See Illustration #17.)**
5. Move the slide fully forward.
6. Insert the barrel bushing into the muzzle end of the slide. (See Illustration #18.)
7. Rotate it as shown in Illustration #19.
8. Insert the recoil spring and plug into the slide, press down on the plug until it clears the bushing and rotate the bushing until it captures the plug. (See Illustration #20.) **Caution: This is under spring pressure.**
9. Point the pistol in a safe direction and pull the trigger allowing the hammer to fall. Install the magazine.

Illustration #16

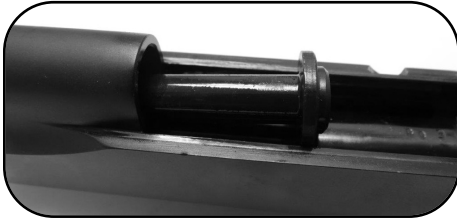


Illustration #17



Illustration #18

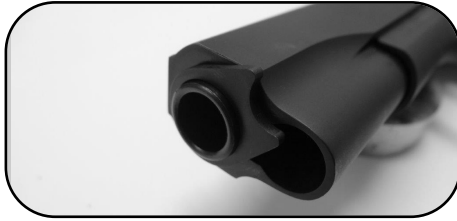


Illustration #19



Illustration #20



## Decocking

1. To decock your pistol, keep the muzzle pointed in a safe direction.
2. Grasp the pistol with your finger off the trigger.
3. Grasp the hammer with your thumb and forefinger and secure the hammer. (See Illustration #21.)
4. Pull the trigger and slowly lower the hammer completely forward.

This pistol has a half cock hammer position. (See Illustration #22.) When in the half cock position, the trigger is immobilized but the manual safety cannot be actuated.

Illustration #21



Illustration #22



## Cleaning the Pistol



**WARNING!** Before beginning the cleaning process, check to ensure the pistol is unloaded. (See the **Unloading the Pistol** section on page 9.)



**WARNING!** You should wear eye protection, such as shooting glasses or goggles, when cleaning your firearm to protect your eyes from tensioned parts, such as springs, that may become dislodged during disassembly.

1. Obtain a quality pistol cleaning kit and thoroughly review the manufacturer's instructions.
2. Follow the pistol disassembly procedures. (See page 10.)
3. To clean the barrel, select the correct caliber cleaning brush and attach it to a cleaning rod.  
**Note: Always clean the barrel from the chamber end to the muzzle.**
4. Dampen the brush with gun cleaning solvent and then push the brush through the barrel several times.
5. Remove the brush and attach a correctly sized cloth cleaning patch to the cleaning rod and push it through the barrel several times to remove loosened fouling.
6. Repeat this process with the brush and cleaning patches until a final patch comes out clean after swabbing the bore. Lightly oil the bore.
7. Remove shooting residue from the pistol's action parts and outer surfaces by wiping them with a soft cloth dabbed in gun cleaning solvent. Then be sure to remove all excess solvent and dry them.
8. Finally, wipe down all outer surfaces with a soft cloth dipped in a good quality gun oil.



**WARNING!** There may be sharp edges on parts of the firearm. Keep your fingers protected by wearing a pair of protective gloves when cleaning.

**WARNING!** Excessive use of cleaning solvents or lubricants can adversely affect your pistol's functioning. Wipe the inside of the barrel dry before firing and ensure that it is free of obstructions.

**WARNING!** Some cleaning solvents produce hazardous vapors. Read and follow the solvent manufacturer's cautions found on the product's package.

**WARNING!** Handling ammunition and cleaning firearms results in exposure to lead and other substances that can pose health risks. Wash your hands and face after firing your pistol or after cleaning it.

**WARNING!** This firearm should be checked periodically for worn or damaged parts by a competent gunsmith. This will help ensure its safe functioning and a long service life.

## Cleaning Intervals

Always clean your pistol as soon as possible after firing to prevent buildup of shooting residue and to prevent corrosion from beginning. To maintain your pistol in good working order, it should be cleaned regularly even if it has not been fired. If you live in a low-humidity area, this may mean doing a full clean once or twice a year; but if you live in a high-humidity area, it may be necessary to clean your pistol as often as once a week.

**Note: In freezing weather (below 32° F. or 0° C.), the use of a dry lubricant (instead of oil) for lubrication may work better.**

## Storage

Your pistol should be thoroughly cleaned and lightly lubricated before being put away for storage. A light coating of good quality gun oil should be applied to all exposed surfaces. Remove all excess lubrication and use a cleaning rod and cleaning patch to make sure that the bore (the inside of the barrel) is dry and free of obstructions when you remove your pistol from storage and before firing it. CHECK TO ENSURE THAT YOUR PISTOL IS NOT LOADED BEFORE STORING IT. ALWAYS STORE FIREARMS AND AMMUNITION SEPARATE FROM EACH OTHER AND OUT OF REACH OF CHILDREN. REFERENCE YOUR HOME STATE'S FIREARMS REGULATIONS FOR SAFE STORAGE OF FIREARMS AND AMMUNITION.

**Note: The use of reloaded, remanufactured, hand-loaded or other non-standard ammunition may result in damage to the pistol and injury or death to the shooter and/or bystanders. The manufacturer does not accept responsibility for malfunctions resulting from such use.**

Illustration #23  
 Illustrated Parts Breakdown

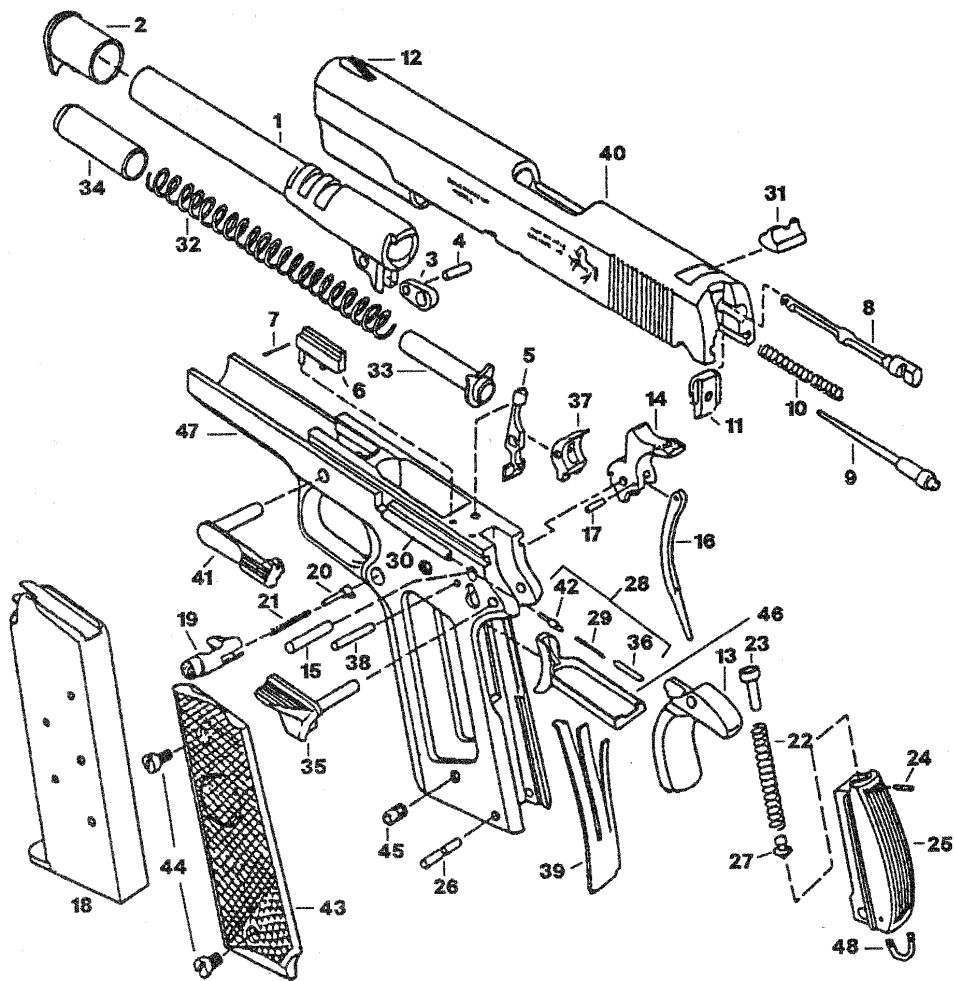


Photo courtesy of Gun Digest Book Of Exploded Handgun Drawings, book is available at [www.gundigeststore.com](http://www.gundigeststore.com).

#	Part name
1.	Barrel
2.	Barrel bushing
3.	Barrel link
4.	Barrel link pin
5.	Disconnecter
6.	Ejector
7.	Ejector pin
8.	Extractor
9.	Firing pin
10.	Firing pin spring
11.	Firing pin stop
12.	Front sight
13.	Grip safety
14.	Hammer
15.	Hammer pin
16.	Hammer strut
17.	Hammer strut pin
18.	Magazine assembly
19.	Magazine catch
20.	Magazine catch lock
21.	Magazine catch spring
22.	Mainspring
23.	Mainspring cap
24.	Mainspring cap pin

#	Part name
25.	Mainspring housing
26.	Mainspring pin
27.	Mainspring housing spring retainer
28.	Plunger spring assembly
29.	Plunger spring
30.	Plunger tube
31.	Rear sight
32.	Recoil spring
33.	Recoil spring guide
34.	Recoil spring plug
35.	Safety lock
36.	Safety lock plunger
37.	Sear
38.	Sear/disconnector pin
39.	Sear spring
40.	Slide
41.	Slide stop
42.	Slide stop plunger
43.	Stock assembly
44.	Stock screws
45.	Stock screw bushing
46.	Trigger
47.	Frame
48.	Lanyard loop



### Lubrication Warning

Firing a firearm with oil, grease or any other material even partially obstructing the bore may result in damage to the firearm and injury to the shooter and those nearby. Do not spray or apply lubricants directly on ammunition. If the powder charge of a cartridge is affected by the lubricant, it may not be ignited, but the energy from the primer may be sufficient to push the bullet into the bore where it may become lodged. Firing a subsequent bullet into the obstructed bore will damage the firearm and may cause injury to the shooter and those nearby. Use lubricants properly. You are responsible for the proper care and maintenance of your firearm and ammunition.



**WARNING!** Altering or modifying parts and/or internal safeties is dangerous and will void the warranty. This firearm was manufactured to perform properly with the original parts as designed. It is your duty to make sure any parts you buy are made for this firearm and are installed correctly and that neither the replacements nor originals are altered or changed. Your gun is a complex precision tool with many parts that must relate correctly to other parts in order for proper and safe operation. Putting a gun together wrong or with incorrect or modified parts can result in a damaged gun, danger, and injury or death to you and others through malfunction. Always have a qualified gunsmith work on your gun or at least check any work not performed by a gunsmith.

## **Limited Parts Replacement Warranty**

The Shooters Arms pistols are warranted to be free of manufacturing defects for a period of one year from the original date of purchase of a Shooters Arms pistol from a federally licensed firearms retailer. The warranty only applies to the first retail purchaser and is not transferrable or assignable. Proof of purchase must be presented at the time any warranty claim is made. This is a one year warranty limited to replacement of improperly manufactured parts. Any alternations, modifications, abuse, misuse or discharge of poor quality, corrosive or defective ammunition voids the warranty.

## **Return Authorization**

To obtain warranty service, contact us at 1.800.527.1252 to get a return authorization. Please note that a return authorization must be obtained prior to returning the firearm.

Century International Arms, Inc.  
236 Bryce Boulevard  
Fairfax, Vermont 05454  
USA  
[www.centuryarms.com](http://www.centuryarms.com)

## **Shooters Arms Semi-Auto Pistols, Cal. .45 ACP**

**Distributed by:**

**Century International Arms, Inc.  
236 Bryce Boulevard, Fairfax, VT 05454  
[www.centuryarms.com](http://www.centuryarms.com)  
Sales Tel: 1.800.527.1252 - 1.561.265.4530  
Sales Fax: 1.561.265.4520**