

# CHIAPPA®

f i r e a r m s

## SAFETY & INSTRUCTION MANUAL

# RHINO REVOLVER



Read the instructions and warnings in this manual carefully before using this firearm.

### CHIAPPA BRANDS





## INDEX

WARNINGS .....	3
SAFETY RULES .....	4
IDENTIFYING MARKINGS.....	5
AMMUNITION .....	6
THE RHINO REVOLVER RANGE .....	8
AVAILABLE ACCESSORIES:.....	12
REVOLVER REVOLUTION .....	14
SAFETY FEATURES .....	15
INSPECTION OF THE REVOLVER.....	16
LOADING .....	17
SIGHT ADJUSTMENT .....	17
VERY IMPORTANT: GRIP INSTRUCTIONS.....	17
SHOOTING/FIRING .....	19
DECOCKING .....	19
UNLOADING.....	20
CLEARING MISFIRES .....	21
DISASSEMBLY (FIELD STRIPPING) AND ASSEMBLY .....	21
CLEANING .....	21
LUBRICATION.....	22
ORDINARY & EXTRAORDINARY MAINTENANCE .....	22
CYLINDER CONVERSION KIT (RHINO COMBO).....	23
EXPLODED VIEWS .....	26
WARRANTY CONDITIONS.....	27

## **WARNINGS**

The manufacturer is not responsible for damage to objects caused by misuse of the gun or for injuries to persons or animals, or in case of death, caused voluntarily or involuntarily by the gun user.

The manufacturer is not responsible for injuries caused by poor maintenance, misuse of the gun, unauthorized or improper modifications.

The manufacturer declines responsibility for the indirect consequences of any injuries and / or death of persons or animals, damage to objects caused by use of the gun or by primer explosion, by bullet's ricochet, or unsafe loading practices and / or procedure.

Read the entire manual and learn the proper use of the gun without live ammunition. It is important that you understand the proper use of this product.

The life of the people close to you may depend on your safe behaviour.

If the manual is not clear, please contact the dealer where you bought the gun or call the distributor or the manufacturer by using the contact information provided within this manual.

**The manufacturer declines any responsibility for misuse of the firearm. In case of alteration of the firearm, The manufacturer declines any civil and penal responsibility and will not refund any damage.**

QUALITY INSPECTION: Every firearm is thoroughly inspected by the manufacturer, for function and cosmetic blemish, prior to shipment.

To guarantee the gun is safe, all guns produced in the Italian facility are sent to the National Proof House of Gardone Val Trompia – BRESCIA – ITALY for proof testing, in compliance with Italian law. The Proof House tests the firearm with heavy loads then checks the barrel, chamber and headspace to make certain the firearm is safe for use with standard factory ammunition. The National Proof House will put their markings on the gun, certifying the gun is qualified and can be sold.

Guns produced in our US facility are scrupulously tested in our premises.

### **Warning!**

**Discharging firearms in poorly ventilated areas, cleaning firearms, or handling ammunition may result in exposure to lead or other substances known to the State of California to cause birth defects, reproductive harm, and other serious physical injury. Have adequate ventilation at all times. Wash hands thoroughly after exposure.**

**ANY LEGAL DISPUTE WILL BE UNDER THE JURISDICTION OF A COURT IN THE STATE OF OHIO – USA, OR IN THE COURT OF BRESCIA – ITALY, AT OUR DISCRETION.**

## **SAFETY RULES**

1. Read the instructions carefully before use. Reading the manual and careful examination of the gun are fundamental to avoid any kind of problem.
2. Be aware that you are handling a firearm; therefore your knowledge and behaviour may affect your life and those of the people close to you.
3. Guns and ammunitions must be kept in separate places.
4. ALWAYS keep guns and ammunitions out of reach of children.
5. Store the gun in a clean, dry and airy place after use to avoid rust in mechanical parts that may cause serious problems in functioning after a period of inactivity.
6. The gun must ALWAYS be stored unloaded, ALWAYS check that the chamber is empty.
7. Keep away from open flame or heating sources.
8. Never leave a loaded gun unattended.
9. Never leave the weapon loaded, it could fall and cause injury and death. Always point the gun in a safe direction, and handle it as though it were loaded. This is especially important when loading and unloading the gun, and when handing it to someone else. Never take someone's word that it is unloaded. Always make sure the gun is unloaded before laying it down or handing it to someone else.
10. After use, clean and lubricate the inside of the barrel with appropriate oil. Grease or oil build up can cause excessive pressure and result in serious personal injuries. Before using the gun again, inspect the barrel and chamber to make certain that there are no obstructions in the bore. Remove any oil residue with rod and dry patch before shooting.
11. Accumulation of rust in the barrel can cause excessive pressures resulting in serious injury and may cause the explosion of the barrel. A rusted, pitted or eroded barrel should be replaced.
12. Before shooting ALWAYS check to ensure that the barrel is free of obstructions.
13. Never force a jammed action, this act could cause explosion of the round and consequent injury.
14. Use exclusively factory loaded ammunition of the caliber specified on the firearm barrel. Use of different calibers may cause serious personal injuries to you and to people close to you.
15. In case of misfire, manually extract the cartridge from the chamber. If firearm fails to fire when trigger is pulled, as a result of slow primer ignition (hangfire), keep muzzle pointed downrange for a minimum of 30 seconds. If the round does not fire, remove the magazine, clear the weapon and examine the ejected, unfired cartridge. If the indent from the firing pin is off center, light or absent, take the gun to a competent gunsmith. If the indent appears normal compared to other rounds, assume a faulty round, separate from other cartridges, reload and continue shooting.
16. Do not attempt to re-use unexploded ammunitions.
17. NEVER modify any parts of your gun. Any alteration may cause serious personal injury and voids the warranty.
18. Only a qualified gunsmith may service the gun for repair or serious maintenance.
19. Pay great attention during transportation and use. Mechanical safety devices can fail. Developing intelligent, good safety habits is the best way to prevent accidents.
20. Never rest your finger on the trigger until the very moment you wish to shoot. Always keep the safety on until you are ready to safely shoot at an intended target (see safety features).  
Note: Safety devices on guns are extras and are not a substitute for your proper and safe handling practices.
21. ALWAYS keep the gun unloaded when transporting it from home to the shooting areas. Carefully check that cartridge chamber is empty.
22. When you walk around with the gun in a shooting area, ALWAYS keep the muzzle pointed in a safe direction.
23. NEVER run with a loaded gun, don't cross any obstacle (fences or water courses, etc.) or walk where there is any possibility of slipping or falling without having your firearm unloaded and in safety position.
24. When selecting a place to shoot, always be absolutely sure of your target and the area behind it before you touch the trigger, making sure there is an adequate backstop which

will stop and contain bullets. A bullet can travel through or past your target with a range up to 1 1/2 miles. If you have any doubt, do not shoot.

25. Never shoot against a solid surface or in a pool of water, the projectiles could ricochet and shoot toward any direction. Don't shoot up into the sky.
26. Keep all bystanders behind you, standing beside a shooter is not a safe position. Make sure all other shooters and bystanders are well away from the ejection port.
27. Do not smoke while handling, loading or shooting any ammunition, especially black powder. Keep black powder in a closed container at all times, reclosing the container after each and every use.
28. Never drink alcoholic beverages or take any drugs before or during shooting, as this not only constitutes criminal disregard for your safety and that of others, but will seriously impair your judgment and vision. Never use a gun while you are taking medication unless you have checked with your doctor to ensure your fitness to handle the gun safely.
29. Always wear and encourage others near you to wear proper ear protection when shooting, especially on a range since the noise from your gun, and other guns close to you, could result in permanent hearing loss.
30. Always wear protective shooting glasses to protect your eyes from injury by gun powder, gas, lubricant, dirt or metallic particles, carbon residue, sparks or other debris.
31. Wash hands thoroughly after shooting and handling firearms to remove any unwanted residues.
32. NEVER leave the loaded firearm or the loaded magazine in the sun
33. By replica firearms there is no modern safety. In this case you must pay even more attention to safety rules.

REMEMBER: No mechanical safety device is infallible.

**The user is responsible for injuries or damages caused to him or to other persons.**

**COMPLETE KNOWLEDGE OF YOUR FIREARM CAN MAKE THE DIFFERENCE.**

## **IDENTIFYING MARKINGS**

Every gun we produce has a serial number that is marked on the receiver/frame. Close to the serial number you will also find the manufacturers information with the model name and caliber marked either on the frame or the slide as required by law.

**These markings must not be removed from the firearm for any reason.**

# **AMMUNITION**

## **NOTICE**

**WE SPECIFICALLY DISCLAIM RESPONSIBILITY FOR ANY DAMAGE OR INJURY WHATSOEVER OCCURRING IN CONNECTION WITH, OR AS THE RESULT OF, THE USE OF FAULTY, OR NONSTANDARD, OR “REMANUFACTURED” OR HANDLOADED (RELOADED) AMMUNITION, OR OF CARTRIDGES OTHER THAN THOSE FOR WHICH THE FIREARM WAS ORIGINALLY CHAMBERED.**

- Death, serious injury, and damage can result from the use of wrong ammunition, bore obstructions, powder overloads, or incorrect cartridge components.
- Use only ammunition specifically recommended for your firearm (the caliber is specified on the barrel/cylinder/frame).
- Always use cartridges whose length is equal or inferior to that indicated on the barrel.
- Use only high quality, original factory manufactured ammunition whose pressure cannot be higher than the one stated by S.A.A.M.I. or C.I.P.
- Your gun has been designed for ammunition of a specific caliber – do not alter the barrel, chamber, caliber for which your gun was designed.
- Be sure you never mix ammunition.
- Firearms may be severely damaged, and serious injury to the shooter or others may result from any condition causing excessive pressure inside the chamber or barrel during firing. Excessive pressure can be caused by obstruction in the barrel, propellant powder overloads, or by the use of incorrect or defectively assembled cartridges. In addition, the use of a dirty, corroded or damaged cartridge can lead to a burst cartridge case and consequent damage to the firearm and personal injury from the sudden escape of high-pressure propellant gas within the firearm's mechanism.

Immediately stop shooting and check the barrel for a possible obstruction whenever:

- You have difficulty in, or feel unusual resistance in chambering a cartridge
- A cartridge misfires (does not go off)
- The mechanism fails to extract a fired cartridge case
- Unburned grains of propellant powder are discovered spilled in the mechanism
- A shot sounds weak or abnormal

In such cases it is possible that a bullet is lodged part way down the barrel. Firing a subsequent bullet into the obstructed barrel can damage the firearm and cause serious injury to the shooter or bystanders.

Bullets can become lodged in the barrel:

- If the cartridge has been improperly loaded without propellant powder, or if the powder fails to ignite. Ignition of the cartridge primer alone will push the bullet out of the cartridge case, but usually does not generate sufficient energy to expel the bullet completely from the barrel.
- If the bullet is not properly seated tightly in the cartridge case. When such a cartridge is extracted from the chamber without being fired, the bullet may be left behind in the bore at the point where the rifling begins. Subsequent chambering of another cartridge may push the first bullet further into the bore.
- If there is any reason to suspect that a bullet is obstructing the barrel, immediately unload the firearm and look through the bore. It is not sufficient to merely look in the chamber. A bullet may be lodged some distance down the barrel where it cannot easily be seen. If a bullet is in the bore, do not attempt to shoot it out by using another cartridge, or by blowing it out with a blank or one from which the bullet has been removed. Such techniques can generate excessive pressure, damage the firearm and cause serious personal injury. If the bullet can be easily removed with a wood or brass dowel, (using hand pressure only, never

"hammer" a bullet lodged in the bore) clean any unburned powder grains from the bore, chamber and mechanism before resuming shooting. If the bullet cannot be dislodged by tapping it with a cleaning rod, take the firearm to a gunsmith.

- Dirt, corrosion, or other foreign matter on a cartridge can impede complete chambering and may cause the cartridge case to burst upon firing. The same is true of cartridges which are damaged or deformed.
- Don't oil cartridges, and be sure to wipe the chamber clean of any oil preservative before commencing to shoot. Oil interferes with the friction between cartridge case and chamber wall that is necessary for safe functioning, and subjects the firearm to stress similar to that imposed by excessive pressure.
- Use lubricants liberally on the moving parts of your firearm. Avoid excessive spraying of any aerosol gun care product, especially where it may get on ammunition. All lubricants, and aerosol spray lubricants in particular, can penetrate cartridge primers and cause misfires. Some highly penetrative lubricants can also migrate inside cartridge cases and cause deterioration of the propellant powder; on firing, the powder may not ignite. If only the primer ignites, there is a danger that the bullet may become lodged in the barrel.

**The use of reloaded or improper ammunition voids the warranty.**



Item Number	Model	Frame Colour	Caliber	Shoots	Barrel Length	Total Length	Grooves	Rate of twist	Weight	Grip	Main Market
340.055	Rhino Revolver 20DS	Black	.357Mag	6	2" (51mm)	6.5" (165mm)	6	1x19"	1.5lbs (700g)	Rubber	
340.056	Rhino Revolver 20DS	Chrome	.357Mag	6	2" (51mm)	6.5" (165mm)	6	1x19"	1.5lbs (700g)	Rubber	
340.082	Rhino Revolver 200DS	Black	.357Mag	6	2" (51mm)	6.5" (165mm)	6	1x19"	1.5lbs (700g)	Rubber	USA
340.083	Rhino Revolver 200DS	Chrome	.357Mag	6	2" (51mm)	6.5" (165mm)	6	1x19"	1.5lbs (700g)	Rubber	USA
340.084	Rhino Revolver 200D	Black	.357Mag	6	2" (51mm)	6.5" (165mm)	6	1x19"	1.5lbs (700g)	Rubber	
340.085	Rhino Revolver 200D	Black	.357Mag	6	2" (51mm)	6.5" (165mm)	6	1x19"	1.5lbs (700g)	Rubber	USA
CF340.216	Rhino Revolver 200DS	Black	.357Mag	6	2" (51mm)	6.5" (165mm)	6	1x19"	1.5lbs (700g)	Rubber	USA
CF340.217	Rhino Revolver 200D	Black	.357Mag	6	2" (51mm)	6.5" (165mm)	6	1x19"	1.5lbs (700g)	Rubber	USA
CF340.218	Rhino Revolver 200DS	Chrome	.357Mag	6	2" (51mm)	6.5" (165mm)	6	1x19"	1.5lbs (700g)	Rubber	USA
340.096F	Rhino Revolver 20DS	Black	.357Mag	6	2" (51mm)	6.5" (165mm)	6	1x19"	1.5lbs (700g)	Rubber	France
340.097F	Rhino Revolver 20DS	Black	.357Mag	6	2" (51mm)	6.5" (165mm)	6	1x19"	1.5lbs (700g)	Rubber	France
340.262	Rhino Revolver 30DS White Rhino	White	.357Mag	6	3" (76mm)	6.7" (170mm)	6	1x19"	1.7lbs (770g)	G10	
CF340.275	Rhino Revolver 30DS White Rhino SAR	White	.357Mag	6	3" (76mm)	6.7" (170mm)	6	1x19"	1.7lbs (770g)	G10	USA
340.071	Rhino Revolver 20DS	Black	.357Mag	6	4" (101mm)	8.5" (216mm)	6	1x19"	1.87lbs (850g)	Rubber	
340.075	Rhino Revolver 40 DS	Chrome	.357Mag	6	4" (101mm)	8.5" (216mm)	6	1x19"	1.87lbs (850g)	Wooden	
340.101F	Rhino Revolver 40 DS	Black	.357Mag	6	4" (101mm)	8.5" (216mm)	6	1x19"	1.87lbs (850g)	Wooden	France
340.202F	Rhino Revolver 40 DS	Chrome	.357Mag	6	4" (101mm)	8.5" (216mm)	6	1x19"	1.87lbs (850g)	Wooden	France
340.219	Rhino Revolver 40 DS	Black	.357Mag	6	4" (101mm)	8.5" (216mm)	6	1x19"	1.87lbs (850g)	Wooden	
340.222	Rhino Revolver 40 DS	Chrome	.357Mag	6	4" (101mm)	8.5" (216mm)	6	1x19"	1.87lbs (850g)	Wooden	
CF340.244	Rhino Revolver 40 SAR	Black	.357Mag	6	4" (101mm)	8.5" (216mm)	6	1x19"	1.87lbs (850g)	Wooden	USA
CF340.245	Rhino Revolver 40 SAR	Chrome	.357Mag	6	4" (101mm)	8.5" (216mm)	6	1x19"	1.87lbs (850g)	Wooden	USA
340.102	Rhino Revolver 50 DS	Black	.357Mag	6	5" (127mm)	9.5" (241mm)	6	1x19"	1.97lbs (895g)	Wooden	France
340.204F	Rhino Revolver 50 DS	Chrome	.357Mag	6	5" (127mm)	9.5" (241mm)	6	1x19"	1.97lbs (895g)	Wooden	France
340.220	Rhino Revolver 50 DS	Black	.357Mag	6	5" (127mm)	9.5" (241mm)	6	1x19"	1.97lbs (895g)	Wooden	
340.223	Rhino Revolver 50 DS	Chrome	.357Mag	6	5" (127mm)	9.5" (241mm)	6	1x19"	1.97lbs (895g)	Wooden	
CF340.246	Rhino Revolver 50 SAR	Black	.357Mag	6	5" (127mm)	9.5" (241mm)	6	1x19"	1.97lbs (895g)	Wooden	USA
340.103F	Rhino Revolver 60 DS	Black	.357Mag	6	6" (152mm)	10.5" (266mm)	6	1x19"	2.06lbs (936g)	Wooden	France
340.203F	Rhino Revolver 60 DS	Chrome	.357Mag	6	6" (152mm)	10.5" (266mm)	6	1x19"	2.06lbs (936g)	Wooden	France
340.221	Rhino Revolver 60 DS	Black	.357Mag	6	6" (152mm)	10.5" (266mm)	6	1x19"	2.06lbs (936g)	Wooden	
340.224	Rhino Revolver 60 DS	Chrome	.357Mag	6	6" (152mm)	10.5" (266mm)	6	1x19"	2.06lbs (936g)	Wooden	
340.225	Rhino Revolver 60 DS	Gold	.357Mag	6	6" (152mm)	10.5" (266mm)	6	1x19"	2.06lbs (936g)	Wooden	
340.225	Rhino Revolver 60 DS	Gold	.357Mag	6	6" (152mm)	10.5" (266mm)	6	1x19"	2.06lbs (936g)	Wooden	USA
CF340.248	Rhino Revolver 60 SAR	Black	.357Mag	6	6" (152mm)	10.5" (266mm)	6	1x19"	2.06lbs (936g)	Wooden	USA
CF340.249	Rhino Revolver 60 SAR	Chrome	.357Mag	6	6" (152mm)	10.5" (266mm)	6	1x19"	2.06lbs (936g)	Wooden	USA
340.110	Rhino Revolver 20DS	Black	40S&W	6	2" (51mm)	6.5" (165mm)	6	1x16"	1.5lbs (700g)	Rubber	
340.115	Rhino Revolver 200DS	Black	40S&W	6	2" (51mm)	6.5" (165mm)	6	1x16"	1.5lbs (700g)	Rubber	USA

340.116	Rhino Revolver 200D	Black	40S&W	6	2" (51mm)	6.5" (165mm)	6	1x16"	1.5lbs (700g)	Rubber	USA
340.117	Rhino Revolver 200DS	Chrome	40S&W	6	2" (51mm)	6.5" (165mm)	6	1x16"	1.5lbs (700g)	Rubber	USA
340.176	Rhino Revolver 200D	Chrome	40S&W	6	2" (51mm)	6.5" (165mm)	6	1x16"	1.5lbs (700g)	Rubber	
340.131	Rhino Revolver 200DS	Chrome	40S&W	6	2" (51mm)	6.5" (165mm)	6	1x16"	1.5lbs (700g)	Rubber	
CF340.226	Rhino Revolver 200DS	Black	40S&W	6	2" (51mm)	6.5" (165mm)	6	1x16"	1.5lbs (700g)	Rubber	USA
CF340.231	Rhino Revolver 200DS	Chrome	40S&W	6	2" (51mm)	6.5" (165mm)	6	1x16"	1.5lbs (700g)	Rubber	USA
CF340.235	Rhino Revolver 200D DAO	Chrome	40S&W	6	2" (51mm)	6.5" (165mm)	6	1x16"	1.5lbs (700g)	Rubber	USA
CF340.227	Rhino Revolver 200D DAO	Black	40S&W	6	2" (51mm)	6.5" (165mm)	6	1x16"	1.5lbs (700g)	Rubber	USA
340.228	Rhino Revolver 40 DS	Black	40S&W	6	4" (101mm)	8.5" (216mm)	6	1x16"	1.87lbs (850g)	Wooden	
340.118	Rhino Revolver 40 DS	Chrome	40S&W	6	4" (101mm)	8.5" (216mm)	6	1x16"	1.87lbs (850g)	Wooden	
340.232	Rhino Revolver 40 DS	Chrome	40S&W	6	4" (101mm)	8.5" (216mm)	6	1x16"	1.87lbs (850g)	Wooden	
CF340.252	Rhino Revolver 40 SAR	Black	40S&W	6	4" (101mm)	8.5" (216mm)	6	1x16"	1.87lbs (850g)	Wooden	USA
CF340.253	Rhino Revolver 40 SAR	Chrome	40S&W	6	4" (101mm)	8.5" (216mm)	6	1x16"	1.87lbs (850g)	Wooden	USA
CF340.254	Rhino Revolver 50 SAR	Black	40S&W	6	5" (127mm)	9.5" (241mm)	6	1x16"	1.97lbs (895g)	Wooden	USA
CF340.255	Rhino Revolver 50 SAR	Chrome	40S&W	6	5" (127mm)	9.5" (241mm)	6	1x16"	1.97lbs (895g)	Wooden	USA
340.229	Rhino Revolver 50 DS	Black	40S&W	6	5" (127mm)	9.5" (241mm)	6	1x16"	1.97lbs (895g)	Wooden	
340.119	Rhino Revolver 50 DS	Chrome	40S&W	6	5" (127mm)	9.5" (241mm)	6	1x16"	1.97lbs (895g)	Wooden	
340.233	Rhino Revolver 50 DS	Chrome	40S&W	6	5" (127mm)	9.5" (241mm)	6	1x16"	1.97lbs (895g)	Wooden	
340.230	Rhino Revolver 60 DS	Black	40S&W	6	6" (152mm)	10.5" (266mm)	6	1x16"	2.06lbs (936g)	Wooden	
340.121	Rhino Revolver 60 DS	Chrome	40S&W	6	6" (152mm)	10.5" (266mm)	6	1x16"	2.06lbs (936g)	Wooden	
340.234	Rhino Revolver 60 DS	Chrome	40S&W	6	6" (152mm)	10.5" (266mm)	6	1x16"	2.06lbs (936g)	Wooden	
CF340.256	Rhino Revolver 60 SAR	Black	40S&W	6	6" (152mm)	10.5" (266mm)	6	1x16"	2.06lbs (936g)	Wooden	USA
CF340.257	Rhino Revolver 60 SAR	Chrome	40S&W	6	6" (152mm)	10.5" (266mm)	6	1x16"	2.06lbs (936g)	Wooden	USA
CF340.164	Rhino Revolver 200DS	Black	9x19	6	2" (51mm)	6.5" (165mm)	6	1x19"	1.5lbs (700g)	Rubber	USA
340.181	Rhino Revolver 20DS	Black	9x19	6	2" (51mm)	6.5" (165mm)	6	1x19"	1.5lbs (700g)	Rubber	
340.207	Rhino Revolver 20DS	Chrome	9x19	6	2" (51mm)	6.5" (165mm)	6	1x19"	1.5lbs (700g)	Rubber	
CF340.268	Rhino Revolver 200D DAO	Black	9x19	6	2" (51mm)	6.5" (165mm)	6	1x19"	1.5lbs (700g)	Rubber	USA
340.280	Rhino Revolver 30DS White Rhino	White	9x19	6	3" (76mm)	6.7" (170mm)	6	1x19"	1.7lbs (770g)	G10	
CF340.281	Rhino Revolver 30DS White Rhino SAR	White	9x19	6	3" (76mm)	6.7" (170mm)	6	1x19"	1.7lbs (770g)	G10	USA
340.165	Rhino Revolver 40 DS	Black	9x19	6	4" (101mm)	8.5" (216mm)	6	1x19"	1.87lbs (850g)	Wooden	
340.244	Rhino Revolver 40 DS	Chrome	9x19	6	4" (101mm)	8.5" (216mm)	6	1x19"	1.87lbs (850g)	Wooden	
CF340.277	Rhino Revolver 40 SAR	Black	9x19	6	4" (101mm)	8.5" (216mm)	6	1x19"	1.87lbs (850g)	Wooden	USA
340.166	Rhino Revolver 50 DS	Chrome	9x19	6	5" (127mm)	9.5" (241mm)	6	1x19"	1.97lbs (895g)	Wooden	
340.245	Rhino Revolver 50 DS	Black	9x19	6	5" (127mm)	9.5" (241mm)	6	1x19"	1.97lbs (895g)	Wooden	
CF340.278	Rhino Revolver 50 SAR	Black	9x19	6	5" (127mm)	9.5" (241mm)	6	1x19"	1.97lbs (895g)	Wooden	USA
340.167	Rhino Revolver 60 DS	Black	9x19	6	6" (152mm)	10.5" (266mm)	6	1x19"	2.06lbs (936g)	Wooden	
340.195	Rhino Revolver 60 DS	Chrome	9x19	6	6" (152mm)	10.5" (266mm)	6	1x19"	2.06lbs (936g)	Wooden	
340.271	Rhino Revolver 60 DS Charging Rhino	Black & Chrome	9x19	6	6" (152mm)	10.5" (266mm)	6	1x19"	2.06lbs (936g)	Laminated	
340.276	Rhino Revolver 60 DS Charging Rhino	Black & Chrome	9x19	6	6" (152mm)	10.5" (266mm)	6	1x19"	2.06lbs (936g)	Laminated	

CF340.279	Rhino Revolver 60 SAR	Chrome	9x19	6	6" (152mm)	10.5" (266mm)	6	1x19"	2,06lbs (936g)	Wooden
340.138	Rhino Revolver 20DS	Black	9x21	6	2" (51mm)	6.5" (165mm)	6	1x19"	1,5lbs (700g)	Rubber
340.133	Rhino Revolver 40 DS	Black	9x21	6	4" (101mm)	8.5" (216mm)	6	1x19"	1,87lbs (850g)	Wooden
340.134	Rhino Revolver 40 DS	Chrome	9x21	6	4" (101mm)	8.5" (216mm)	6	1x19"	1,87lbs (850g)	Wooden
340.111	Rhino Revolver 50 DS	Black	9x21	6	5" (127mm)	9.5" (241mm)	6	1x19"	1,97lbs (895g)	Wooden
340.135	Rhino Revolver 50 DS	Chrome	9x21	6	5" (127mm)	9.5" (241mm)	6	1x19"	1,97lbs (895g)	Wooden
340.136	Rhino Revolver 60 DS	Black	9x21	6	6" (152mm)	10.5" (266mm)	6	1x19"	2,06lbs (936g)	Wooden
340.137	Rhino Revolver 60 DS	Chrome	9x21	6	6" (152mm)	10.5" (266mm)	6	1x19"	2,06lbs (936g)	Wooden
340.128	RHINO REVOLVER 200DS COMBO	Black	357/9x19	6	2" (51mm)	6.5" (165mm)	6	1x19"	1,5lbs (700g)	Rubber
340.129	RHINO REVOLVER 200D COMBO	Black	357/9x19	6	2" (51mm)	6.5" (165mm)	6	1x19"	1,5lbs (700g)	Rubber
340.238	RHINO REVOLVER 40DS COMBO	Black	357/9x19	6	4" (101mm)	8.5" (216mm)	6	1x19"	1,87lbs (850g)	Wooden

"D" = Double Action only

"DS" = Double +single action

"SAR" = Single Action Only

"COMBO" = Two calibers (357/9x19) combination

**2" Chrome**



**3" White Rhino**



**4" Black**



**5" Chrome**



**6" Black**



**6" Gold**



**6" Charging**



## Available accessories:



Kydex holsters available  
(see chart below)



970.291 trigger conversion kit  
970.453 trigger conv. kit II° gen

### leather holsters available



791.015



791.016



791.017



791.014



791.011 - 791.012

### different grip colors available



White



Rubber



Walnut



Olive



Laminate



Charging

SKU	Description.	SKU	Description.	SKU	Description.
791.011	2" BROWN leather holster	970.327	RUBBER grip small	970.324	LAMINATE grip small
791.012	2" SUEDE brown leather holster	970.318	WALNUT grip small	970.325	LAMINATE grip medium
270.060	2" KYDEX convertible holster	970.319	WALNUT grip medium	970.326	LAMINATE grip large
970.328	4" KYDEX convertible holster	970.320	WALNUT grip large	970.471	G10 GRIP WHITE - One size
970.338	5" KYDEX convertible holster	970.321	OLIVE grip small	970.472	Grey Laminate GRIP CHARGING Rhino - One size
270.061	6" KYDEX convertible holster	970.322	OLIVE grip medium	791.015	HUNTING LEATHER SHOULDER HOLSTER 6"
970.291	TRIGGER CONVERSION KIT	970.323	OLIVE grip large	791.017	CONCEALMENT LEATHER BELT HOLSTER 4"
970.453	II GEN TRIGGER CONVERSION KIT	791.016	RHINO CONDURA HOLSTER 6"	791.014	SPORTSMAN LEATHER HOLSTER 6"
970.433	RHINO CONVERSION KIT - SA to DA				

## **TRIGGER CONVERSION KITS**

The trigger kits increase the Rhino's performance to the greatest degree enhancing both double action pull and single action release.

### **970.291 Trigger Conversion Kit**

**For each gun adjustment we recommend to use authorized gunsmith shop!**

Please note that due to the lighter pull obtained, some of these kits may not be suitable for defensive purposes and should not be utilized in a "Duty" revolver.

This kit is possible to order in 5 different combinations.

The Trigger conversion kit includes three main components which may be combined with the same elements of the standard version:

- Hammer lever: the standard version entails a heavier trigger pull than the modified version
- Return Lever: the modified version entails a quicker trigger return than the standard version
- Main spring : the standard version entails a heavier trigger pull than the modified version

COMBINATION NUMBER	APPLICATION	HAMMER LEVER	RETURN LEVER	MAIN SPRING	WEIGHT	PERFORMANCE	ADVISED PRIMER
1	STANDARD	Standard	Standard	Standard	Kg. 4,60	Standard	Commercial
2	DEFENCE	Modified	Standard	Standard	Kg. 4,00	Rather light trigger pull, standard trigger return	Commercial, not hard
3	TARGET SHOOTING	Standard	Modified	Modified	Kg. 3,20	Light trigger pull, quick trigger return	CCI type or lighter
4	TARGET SHOOTING	Modified	Modified a	Modified	Kg. 2,80	Very light trigger pull, quick trigger return	Federal only
5	TARGET SHOOTING	Modified	Standard	Modified a	Kg. 2,50	Extremely light trigger pull, standard trigger return	Federal only

### **970.453 Trigger Conversion Kit II° gen**

**For each gun adjustment we recommend to use authorized gunsmith shop!**

Please note that due to the lighter pull obtained, some of these kits may not be suitable for defensive purposes and should not be utilized in a "Duty" revolver.

The Trigger conversion kit includes two main components which may be combined with the same elements of the standard version:

- Hammer lever: the standard version entails a heavier trigger pull than the modified version
- Main spring : the standard version entails a heavier trigger pull than the modified version

**This Conversion kit is more easiest to use and it is defined for TARGET SHOOTING!**

It can reduce trigger pull from 4.60 Kg (Standard) to **3.0 Kg/6.6lbs.**

## **REVOLVER REVOLUTION**

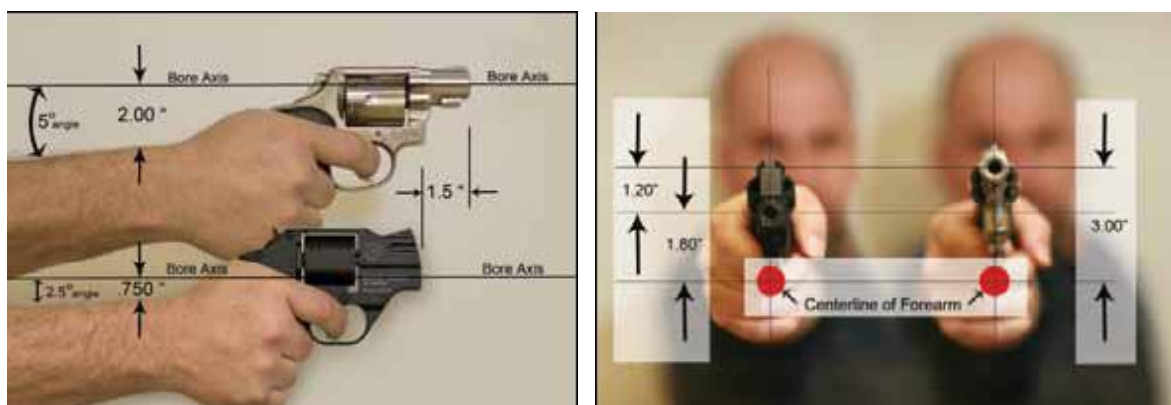
Rhino is the first revolver with truly modern mechanics, designed for a serial, industrial production. Each component is machined from solid steel with the most modern machinery available in the gun industry today. The result is an ultra smooth action, a perfect trigger pull, greater fluidity, lightness and steadiness when shooting. The appearance is like no other revolver you have ever seen.

Typically a revolver fires from the top most chamber which is aligned with the barrel. The new Chiappa Rhino barrel is aligned with the bottom most chamber which is the key component to Rhino's tame characteristics. Due to the lower position of the barrel, the Rhino's appearance is abstract from any other revolver design. The position of the barrel lowers the center of gravity and yields a centerline of the bore more in line with the shooters arm allowing for the most natural "point ability" while engaging a target.

The natural "point-ability" is only the start of where the Rhino stands alone, this characteristic drastically reduces both recoil and muzzle flip which insures subsequent shots to be on target faster than ever before. The reduction of the recoil allows for the use of ultra light alloys to be used in the construction of the Rhino minimizing any adverse effect. The flat sided cylinder design of the Rhino reduces the typical revolver profile allowing greater concealment.

### **Reduction of Felt Recoil**

As the wrist is almost straight, the recoil is discharged on the straight arm. To give an explanation according to the laws of physics, the "arm of the lever" is very small, and this nearly eliminates the "dynamic moment" which follows the shot in all handguns. Basically, the dynamic moment becomes a static moment, nullifying the amplification of the reaction to recoil which generates on the top of the hand.



### **Minimal Muzzle Flip**

The strong pressure generated by a powerful caliber usually causes a muzzle flip effect after shooting (dynamic moment), which is proportional to the lever angle created by the high position of the barrel and consequent angle of the wrist. The muzzle flip effect has two negative consequences: one is the physical strain, both when you bear the knock and when you counterbalance it, pushing your hand with equal power into the opposite direction to regain the initial position. The second is the time you lose while your arm and hand are travelling up and down, which is obviously taking time on the sequence of shots. Rhino revolver requires a wrist angle near to zero, thus minimizing muzzle flip and related consequences: subsequent shots on a target are all in the center, and do not tend to slide upwards.

## **SAFETY FEATURES**

**NEVER ASSUME THE GUN IS UNLOADED. You can never be sure a gun is unloaded unless you check that the charger is not in place/ the cartridge chamber / magazine tube / cylinder is completely empty.**

Never rely solely on mechanical features alone - always be extremely careful, use safe gun handling practices, and avoid situations which could lead to an accident.

This firearm is equipped with several safety features which, if properly employed, can minimize the danger of accidental discharge.

**WARNING : All traditional revolvers which feature a single action mode have an outer hammer and therefore the single action mode is directly visible. The Rhino revolver has an inner hammer which is activated by a lever connected to the outer "false" hammer. The single action mode IS NOT VISIBLE BY RHINO THROUGH THE EXTERNAL HAMMER, as the latter always goes back to rest position. You will be aware of the single action mode through the red flag jutting out from the frame and the trigger completely pulled back.**

This firearm is equipped with several safety features which, if properly employed, can minimize the danger of accidental discharge.

### Trigger guard

The trigger guard is a loop of metal that surrounds the trigger, protecting it from damage or accidental discharge.

### Inner hammer

The traditional hammer, when the gun is in single action mode, may be accidentally activated. This danger is eliminated by the Rhino revolver, as the external hammer is operating the inner hammer through a cocking lever which, not being exposed, is not sensitive to accidental activation when the revolver falls or is hit inadvertently.

### Automatic trigger safety

The automatic inner safety avoids that the hammer may approach the firing pin before the trigger has been pulled. By uncocked position the hammer cannot approach the firing pin. This safety is disengaged only when the trigger is pulled to firing position.

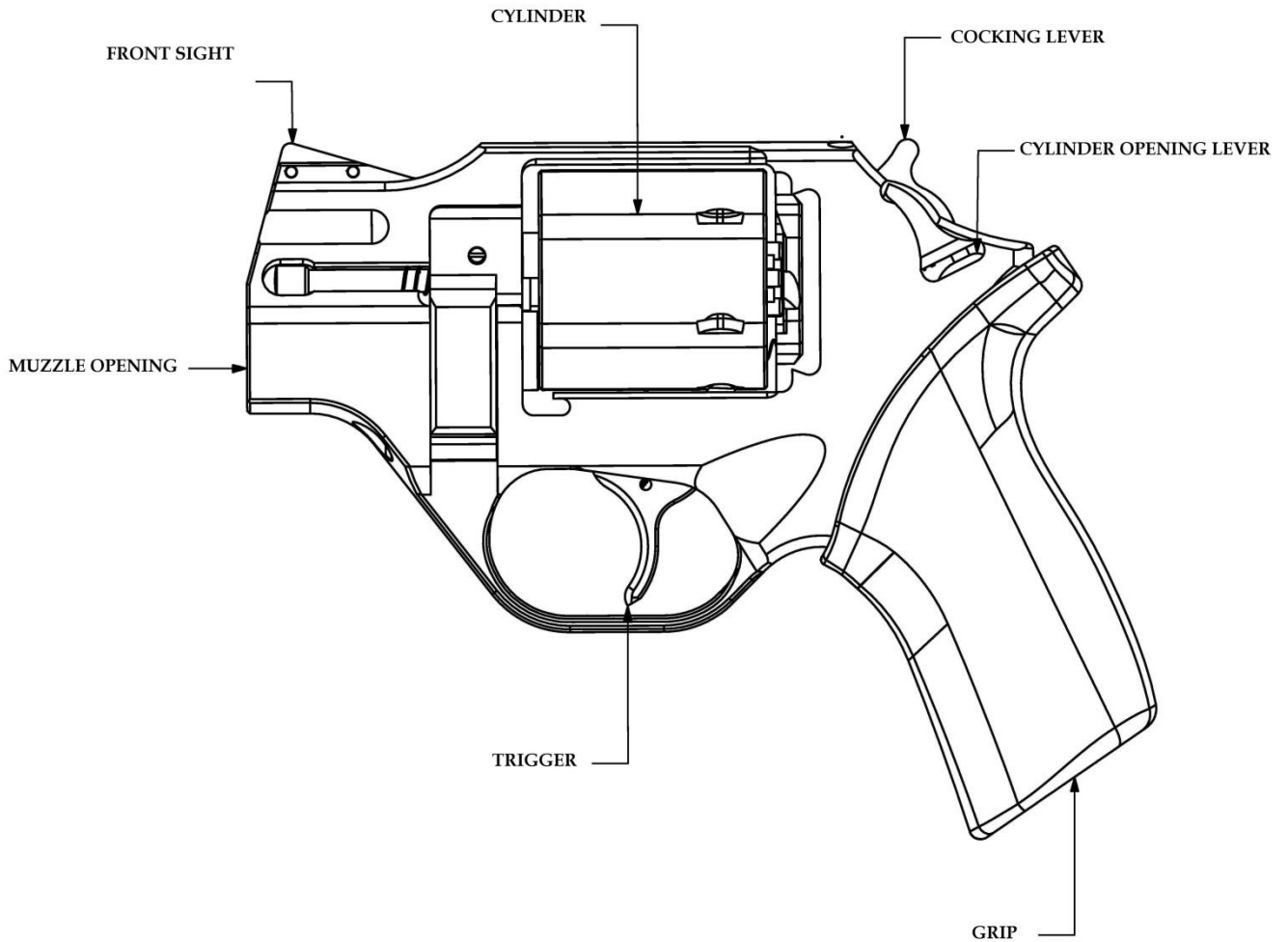
### Cylinder safety

Rhino features two cylinder safeties: one is working in case the cylinder is not perfectly closed, and will hamper the revolver from firing. The second is activated in case the cylinder chamber is not perfectly aligned with the barrel bore. In this case, the trigger cannot be pulled to firing point.

### Single Action Flag

By traditional firearms, the hammer is visible and therefore it is easy to detect whether the firearms is in single or double action mode. By the Rhino revolver a red flag on the left of the rear sight indicates, even by touch, the single action mode. Attention: when the flag is jutting out, the revolver is ready to fire.





## **Inspection of the revolver**

When you inspect your revolver, you must first check for yourself to ensure that it is unloaded. Do this with your finger off the trigger and out of the trigger guard and keep the barrel of the firearm pointed in a safe direction. Press the cylinder opening lever downwards (Figure 1) and push the cylinder to the left (Figure 2).

You must verify that all charge holes are free of live rounds and the barrel is free of any obstructions. You must follow this procedure every time your revolver leaves your hand, is cleaned, handed to you or another person, transported or stored.



**FIGURE 1 (cylinder opening lever)**



**FIGURE 2 (cylinder pushed open)**

## **LOADING**

**Warning:** Keep muzzle pointed in safe direction and follow all safety procedures at all times. Practice these steps with an unloaded gun or dummy ammo until you are completely familiar and comfortable with the procedures. Use live ammo only when you are prepared to shoot. Always use clean, dry, high quality ammunition (of the proper caliber) that meets industry performance standards.

- Do not load the revolver until you are ready to use it. Keep your finger off the trigger and outside the trigger guard until you are ready to fire.
- Never load your revolver until you are at the shooting site and fully prepared to fire.
- To load your revolver, hold it in one hand with the muzzle pointed in a safe direction and away from you and others.
- Keep your finger off the trigger and out of the trigger guard.
- Press the cylinder opening lever downwards to unlock the cylinder.
- Push the cylinder to the left and place a round of the correct ammunition in each cartridge chamber, or the moonclip with the cartridges in the correct position.
- Grasp the revolver in the shooting hand with your finger still outside the trigger guard
- Push the cylinder back into the frame until it locks into place. Your revolver is now fully loaded. The hammer is in the “at rest” position.



## **SIGHT ADJUSTMENT**

**(not available by models 20D/200D and 20DS/200DS)**

Rhino models with 2” barrel feature a standard front sight and do not have a rear sight; models with a 4” and 5” barrel have a rear sight adjustable in elevation and windage; model with a 6” barrel have fiber optics front and rear sights.

**Rear sight :** to adjust your point of impact to the “RIGHT”, unscrew the windage sight screw and move the rear sight to the right; to adjust your point of impact to the “LEFT”, tighten the windage sight screw to move the sight to the left. To adjust your point of impact up, unscrew the elevation sight screw and move the rear sight down; to adjust your point of impact to go down, tighten the elevation sight screw to go up.

A special key is supplied with the revolver to easy adjustment of the rear sight.



A – tube to unload the shells from the moonclip, B - Key for rear sight adjustment, C – Moonclips (3 are supplied with some models)

## **VERY IMPORTANT: GRIP INSTRUCTIONS**

### **WRONG GRIP**

Always make sure that you keep your hands and fingers away from the cylinder and the gap between cylinder and frame. In particular, your fingers should never be in front of the cylinder chambers as the gas escaping from the gap between barrel and cylinder could hurt your fingers.



### **PROPER TWO-HANDS GRIP**



# **SHOOTING/FIRING**

Always wear eye and hearing protection when shooting.

1. Point muzzle in a safe direction.
2. Load revolver as previously directed.
3. Grip the frame firmly according to the instructions above.

There are two ways to fire the RHINO revolver. The first is in the double action mode, wherein the shooter fully pulls and holds the trigger to the rear, causing the hammer to fully cycle rearward and then release.

The second way to fire the revolver is in the single action mode, in which the hammer is first cocked and the trigger is then pulled and held to the rear. A lesser amount of trigger pressure and travel are necessary to fire the revolver when the hammer is in the cocked position. It is your responsibility to exercise great care in handling a revolver especially when it has been placed in the single action or cocked mode.

## **DOUBLE ACTION FIRING**

- Never touch the trigger until you are ready to fire.
- To fire the handgun, pull the trigger fully to the rear. The inner hammer will move rearward and then fall forward to fire the revolver. After firing, you must allow the trigger to move forward fully before you can fire another shot. Failure to do so will prevent the lockwork from fully cycling and will prevent you from being able to fire the next shot.
- Keep your finger off the trigger and outside the trigger guard until you are ready to fire again. Do not touch or otherwise interfere with the travel of the external hammer during double action firing.

## **SINGLE ACTION FIRING**

- Never touch the trigger until you are ready to fire.
- Pull the external hammer fully rearward until it is cocked. The action of pulling the external hammer to the rear activates an inner lever which cocks the inner hammer and will also cause the trigger to move rearward. By this position the external hammer will go back to rest position, while the flag signaling that the inner hammer is cocked will be jutting out. The revolver will now fire in the single action mode, requiring significantly less trigger pressure and significantly less travel than in the double action mode.
- Pull the trigger and hold it rearward.
- After firing, you must allow the trigger to move fully forward before you can fire another shot. Failure to do so will prevent the lock work from fully cycling and will prevent your being able to fire the next shot.
- Keep your finger off the trigger and outside the trigger guard until you are ready to fire again.

## **Decocking**

Rhino has an inner hammer and an external hammer (a false hammer). When you push the External hammer downwards, the inner hammer is cocked and the gun is in single action. When the gun is in single action, a red pin (flag) is jutting out on the frame (on the left side of the rear sight), and the External hammer will go back to its original position.

If you decide not to fire in single action from a cocked position, continue to point the firearm in a safe direction and then decock the revolver as follows:

- (1) While keeping your fingers well away from the trigger guard, place the thumb of your firing hand on the external hammer and pull it completely back (figure 1).
- (2) Keeping the gun pointed to a safe position, pull the trigger while keeping the external hammer in cocked position (figure 2).
- (3) Carefully ease the external hammer downwards while releasing the trigger, until both are in the "at rest" position

(4) Make sure that the flag is back into the frame and not jutting out.

**WARNING: Practice this procedure with your unloaded revolver until you have mastered decocking. Always be aware of the external hammer position. Never holster, carry or store a cocked revolver. Always check that the trigger is in the “at rest” position.**



Figure 1 : Cocking the external hammer



Figure 2: Pulling the trigger



Figure 3: Releasing the external hammer

## **UNLOADING**

1. Point the muzzle in a safe direction. Make sure your finger is off the trigger and the trigger is in the “at rest” or forward position.
2. To remove either live cartridges or spent casings from the cylinder, first point the barrel in a safe direction. Press the cylinder opening lever downwards and swing and hold the cylinder fully to the left.
3. With the barrel pointing upward in a safe direction, press the extractor rod through the cylinder and remove all cartridges or casings from the cylinder. If you have used a moonclip, remove the moonclip with all the shells. You can remove the shells from the moonclip using the special tube supplied with the revolver
4. Carefully count the cartridges or spent casings to be sure that you have recovered all of them. Make a visual check to be sure all charge holes (chambers) are empty. When unloading your revolver, always be sure to keep it pointed in a safe direction.

Remember, a safe direction means that you are not pointing the barrel of your handgun at yourself or anyone or anything you do not intend to shoot.

## **Clearing misfires**

**WARNING: IF YOUR HANDGUN GIVES ANY INDICATION THAT IT IS NOT PERFORMING PROPERLY OR THE OPERATION OF YOUR HANDGUN HAS CHANGED “THE WAY IT FEELS OR SOUNDS”, STOP FIRING. MAKE SURE THE FIREARM IS POINTED IN A SAFE DIRECTION, UNLOAD THE FIREARM AND HAVE IT INSPECTED AND TEST- FIRED BY A GUNSMITH QUALIFIED TO PERFORM SERVICE ON RHINO FIREARMS.**

- If a cartridge fails to fire, wait ten seconds while keeping the muzzle pointed in a safe direction. Keep your finger off the trigger and out of the trigger guard.
- Press and hold the cylinder opening lever downwards and swing the cylinder to the left.
- Remove the defective cartridge and dispose of it in a method specifically approved for live round disposal.

## **DISASSEMBLY (field stripping) and ASSEMBLY**

We recommend that you take your revolver to a professional gunsmith for disassembly and assembly. The only part which can be safely removed by a shooter is the grip, which can be disassembled and re-assembled through the relevant screw.

## **CLEANING**

**Attention: Careful and detailed cleaning of this firearm is essential to guarantee its safety and proper function.**

This product should be cleaned after every use and when exposed to dirt, sand, etc. When not in use, clean at least twice per year. A careful and scrupulous ordinary clearing of the firearms is essential to guarantee its safety and long life. We recommend to clean the weapon at least after shooting 200 to 300 shots.

- Every time you use your gun it is advised to clean it in order to remove all corroding agents (humidity, powder or lead residues etc.) which can in time alter a few parts.
- In order to perform a standard cleaning, it is sufficient to utilize a good solvent, cleaning oil, and a little brush.
- For a deeper cleaning, please contact your local gunsmith

**Warning: Always use a cleaning rod from the chamber end of the barrel.**

1. Run a wet patch through the cylinder. Let soak a few minutes. (Always read the manufacturers' directions of the cleaner you are using)
2. Run a dry patch through to remove loose crud/deposits.
3. Run a wet brush through the barrel a few times.
4. Run a dry patch to remove the dirt.
5. Repeat steps 3 and 4 a few times until the patch comes out clean.
6. Lightly oil the barrel. NOTE: Run a dry patch through the barrel before firing to remove oil.
7. Open the cylinder and follow the same clearing procedure described above to clean all chamber
8. Clean the revolver surface with a cloth and clearing oil

9. Dry the chamber with the special brush, dry the surface of the revolver and store in a safe place

## **LUBRICATION**

To lubricate moving mechanical parts (trigger assembly) you can use a standard firearms oil. This operation should be performed only when necessary, and not as a standard maintenance. In order to perform lubrication, unscrew the allen key fixing the grip, remove the grip and lubricate the hole on the top of the frame.

An extraordinary clearing of inner components should be carried out by professional personnel (gunsmith) and in this case we recommend to use a dry lubricant, MoS<sub>2</sub> based (molybdenum disulfide).

## **ORDINARY & EXTRAORDINARY MAINTENANCE**

- Before conducting any sort of maintenance, make sure the firearm is unloaded.
- By “ordinary maintenance” we refer to measures the user should take to keep the gun in good working conditions.
- An “Extraordinary maintenance” implies the replacement of broken parts and therefore disassembling the gun. In this case only authorized personnel or a qualified gunsmith should handle the task.
- Also a long period of heavy use or inactivity requires an extraordinary maintenance; your gun should be taken to a qualified gunsmith to have the action disassembled for professional cleaning and lubrication.
- Your gunsmith will advise the best lubricant for the good maintenance of your gun.
- Do not leave oil residues when cleaning and lubricating your firearm.
- Make sure that the mechanism of the weapon is easy; if it starts to stiffen, or if corrosion is starting on some essential parts, you should bring your gun to competent, professional personnel.
- Do not use pure silicon or lanolin.
- In the following pages you will find exploded views with a list of all parts. When ordering parts, it's important to specify date of purchase, serial number, model, caliber and item reference of the part/s needed.
- If the gun has a problem that you cannot fix, **DO NOT FIRE**, send it to an authorized center for a check-up. If you try to fix it personally, you may put in serious danger yourself and the people near you. Always pay great attention and handle the gun very carefully, in order to avoid terrible accidents which may change your life and that of others.

## **CYLINDER CONVERSION KIT (RHINO COMBO)**

### **WARNING :**

**Make sure to always use the correct caliber of ammunitions in your gun.**

**NEVER** assume that the cylinder is the right one, **ALWAYS** check it before shooting;

**There is a marking on the 9mm cylinder to distinguish it from the standard 357mag that has no markings. The 9mm has the caliber engraved on the side.**

**The use of wrong caliber ammunition can cause serious accidents and injuries. It might be very dangerous for you and anyone near you.**

**We will not, under any circumstance, be liable in any way for any misuse of our product.**

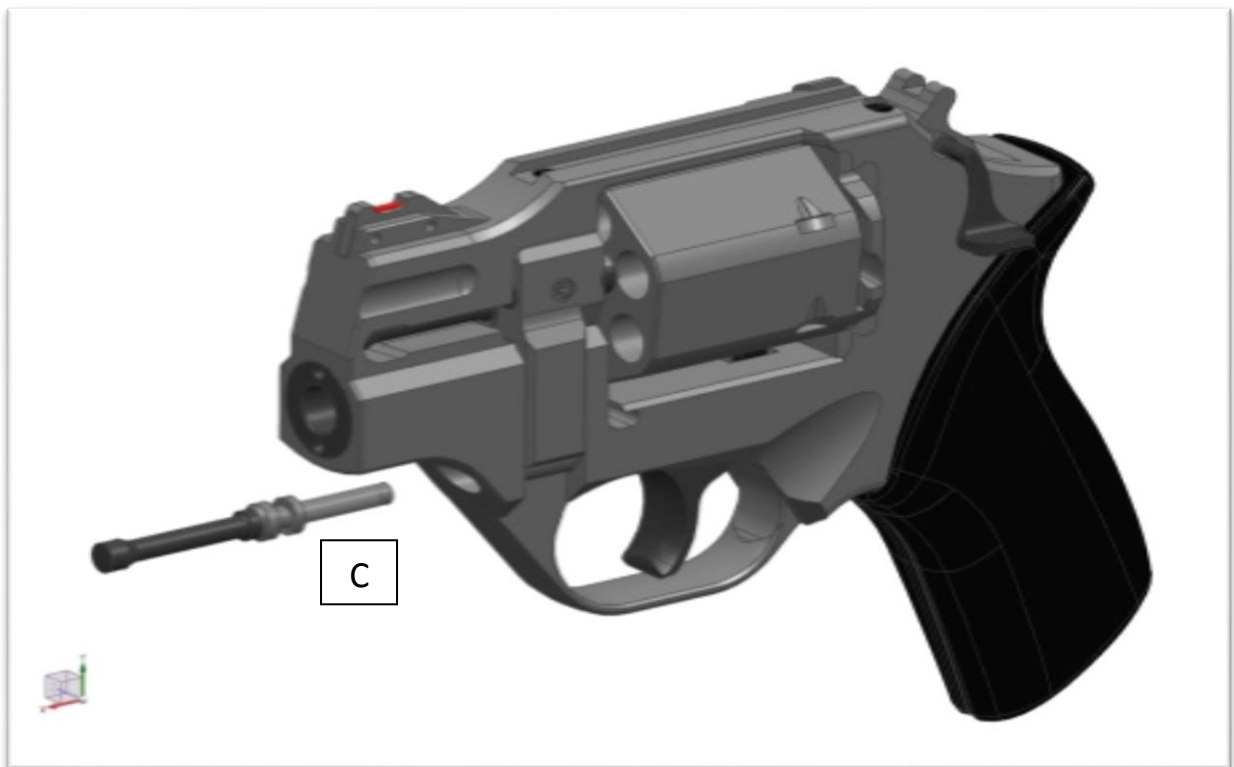


Take out of the box the disassembly tool "A" , place the disassembly tool in the "cylinder arm rotating rod" slot and screw it on.





With a screwdriver of the right size remove completely the locking screw "B" from its place on the right side of the revolver.



Pull out the "cylinder arm rotating rod" pulling the disassembly tool toward the end of the barrel.



Remove the cylinder by pushing on the opening lever and putting pressure on the cylinder towards the left side (same process that you use for loading).

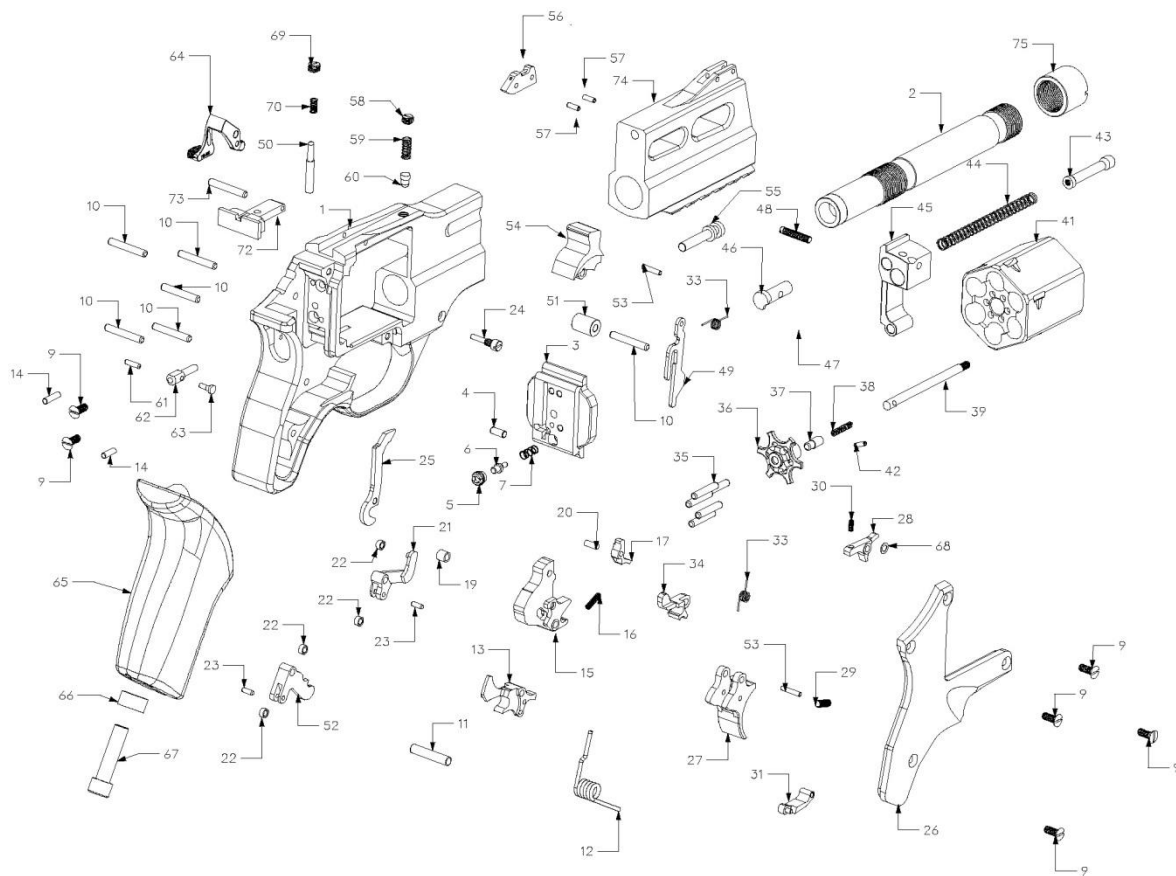
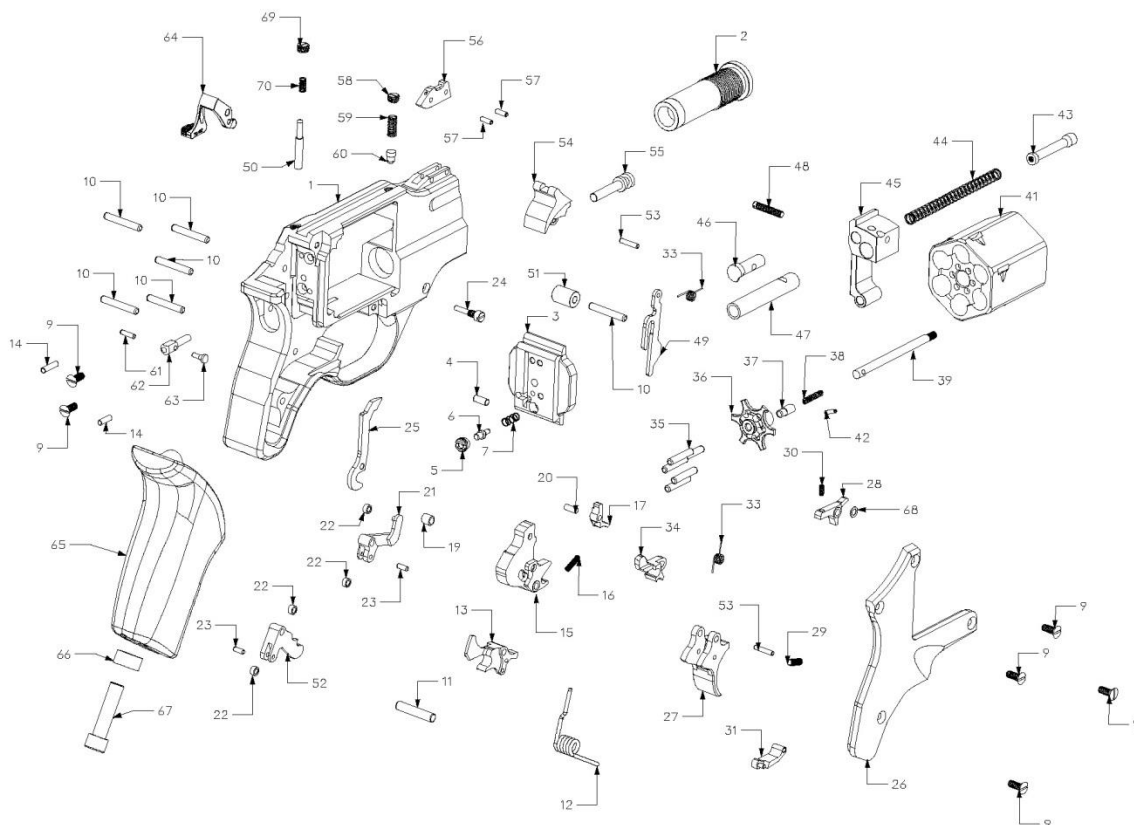
After all this steps you can carefully insert the cylinder making sure that it's properly aligned, close the cylinder and repeat the steps above in the opposite sequence.

1. insert and mount the rod (C)
2. screw the locking screw back on while you keep the disassembly tool insert to prevent the cylinder arm rotating pin to move out of place (B)  
IT'S NOT NECESSARY TIGHTEN TOO MUCH THE SCREW (B) IT CAN BE CRACK
3. now you can remove the disassembly tool
4. check the installation by opening and closing the empty cylinder, everything should run smoothly.

#### **CODE FOR ORDER PARTS**

A – DISASSEMBLY TOOL	731.180
B – LOCKING SCREW	731.815
C – CYLINDER ROTATING ROD	730.814

# EXPLODED VIEWS



## **WARRANTY CONDITIONS**

The manufacturer guarantees that our products are scrupulously checked against defects in materials, workmanship and aesthetical and functioning problems.

In case you find a defect in one of our products, you should immediately contact the DEALER/SHOP/GUNSMITH where you have bought your gun. The seller will indicate the conditions for the repair, which will be either made directly by them or through our assistance.

ATTENTION: end users are not allowed to ship any gun directly to the manufacturer for repair, either under guarantee or against payment. Transportation of weapons is strictly regulated and the documents which are required can solely be issued by companies with specific authorization.

1. The manufacturer will warrant for structural or project defects without any time limit.
2. The manufacturer guarantees, for a year after the purchase date, the free substitution of parts for defects which have been found out during use: wear of parts which shouldn't be subject to wear, or excessive wear of parts subject to wear. The customer will have to give evidence of the purchase date with a bill or other valid proof.
3. In case the defect under cover of guarantee is not repairable, The manufacturer will provide for a free substitution of the weapon.

**THE MANUFACTURER RESERVES THE RIGHT OF DEFINING THE TYPE OF DEFECT OF THE FIREARM, AND THEREFORE TO STATE WHETHER THE DEFECT IS COVERED BY GUARANTEE**

**The manufacturer's decision will be fair but final.**

The manufacturer will be allowed a timing of 60 days for repair under guarantee, and 90 days for free substitution.

We strongly recommend that you keep the receipt or proof of purchase for any The manufacturer product

**Should the manufacturer become aware of a defect of a product during the guarantee period, the defective part will be replaced free of charge.**

### **The guarantee does not cover parts subject to wear and corrosion**

**NOTE WELL:** delivery expenses to and from the service center are not covered by the guarantee and will be charged to the customer.

**THE GUARANTEE IS VOID IN CASE:**

- Inadequate ammunition has been used (any ammunition but those commonly on sale, reloaded ammunition, different from caliber and specification indicated on the firearm barrel)
- The firearm failed to be provided proper maintenance and cleaning
- The firearm has been modified without our prior consent
- Unauthorized, inadequate or incorrect repairs have been carried out
- Non original spare parts were used
- Parts subject to wear and corrosion
- Damage (improper use of the gun by the user)
- Expired guarantee

In the above cases the repair, if carried out, will be charged to the customer

In case, for any valid reason, you do not have the possibility to obtain repair under guarantee at the shop where you bought the firearm, you may contact us directly; we will indicate a local dealer to support you with the repair file:

**USA - Phone: +1-937-835-5000**

**CANADA (Murray Charlton) – Phone +1-778.426.3884**

**e-mail: [murray.mdcent@gmail.com](mailto:murray.mdcent@gmail.com)**

**REST OF THE WORLD - Phone: +39/030/9749065**

**e-mail: [info@chiappafirearms.com](mailto:info@chiappafirearms.com)**

**This instruction manual must always follow the firearm,  
also in case of change of ownership**

Procedure for the use of warranty

REGISTER your firearm in the proper section of our website:

<http://www.chiappafirearms.com/registration>

CONTACT the gunshop where the product was bought, or the Chiappa Firearms facility for USA, Canada or Rest of the World as indicated above. You will receive an NDR number and the instructions to return the gun.

FILL IN the attached form, which will accompany the return firearm. Don't forget to include the NDR number, a description of the defect and a copy of the proof of the purchase indicating the purchase date.

SHIP the weapon to the gun shop (or to the service center) in its original packing, according to the instructions you have received.

**ATTENTION: the returned firearm must be protected with adequate packaging; any damages occurred during transportation and handling will be the customer's responsibility**

NdR NDR : _____
-----------------

**Please write in the above box  
the Repair Authorization Number**

**1. Customer data:**

- Name: \_\_\_\_\_
- Address : \_\_\_\_\_
- Town : \_\_\_\_\_
- ZIP Code : \_\_\_\_\_
- Phone : \_\_\_\_\_ Available from \_\_\_\_ to \_\_\_\_
- Fax : \_\_\_\_\_
- Email address: \_\_\_\_\_

**2. Product information:**

- Model : \_\_\_\_\_
- Serial number : \_\_\_\_\_

**3. Gun Shop - dealer:**

- Purchase date : \_\_\_\_\_
- Dealer name : \_\_\_\_\_
- Dealer address: \_\_\_\_\_

**4. Description of defect:**

\_\_\_\_\_

\_\_\_\_\_

\_\_\_\_\_

\_\_\_\_\_

\_\_\_\_\_

\_\_\_\_\_

Documents to attach: Proof of purchase with date





**CHIAPPA FIREARMS SRL**  
VIA MILANO, 2  
25020 AZZANO MELLA (BS)  
TEL: +39.030.9749065

**CHIAPPA FIREARMS USA Ltd.**  
1415 STANLEY AVE  
DAYTON, OH - 45404 USA  
TEL:+1.937.835.5000

[INFO@CHIAPPAFIREARMS.COM](mailto:INFO@CHIAPPAFIREARMS.COM)