

CZ 455

INSTRUCTION MANUAL
MANUAL DE INSTRUCCIONES
NÁVOD NA POUŽITÍ
BEDIENUNGSANLEITUNG
MODE D'EMPLOI



CZ 455 Lux



Before handling the firearm read this manual carefully and observe the following safety instructions.

Improper and careless handling of the firearm could result in accidental discharge and cause injury, death or damage to property. The same repercussions can be caused by unauthorized modifications or adjustments, corrosion, or use of non-standard or damaged ammunition. In these cases the manufacturer shall not be held responsible in any manner whatsoever for the resulting consequences.

Before leaving the factory the firearm was tested, inspected and packaged in accordance with company policy. Ceska zbrojovka a.s. cannot accept responsibility for product handling whilst in transit after dispatch from the factory. Therefore, examine the firearm carefully upon receipt to ensure that it is unloaded and undamaged.

This instruction manual should always accompany the firearm in the event of loan or further sale.

CONTENTS

SAFETY INSTRUCTIONS	3	MAINTENANCE INSTRUCTIONS	10
THE RIFLE DESCRIPTION AND TERMINOLOGY	5	Stripping for Cleaning - Disassembly	10
OPERATING INSTRUCTIONS	7	Disassembly of the Bolt	10
Ammunition	7	Barrel Exchange	11
Removing the Magazine	7	Cleaning the Rifle	11
Loading the Magazine	7	Cleaning the Barrel and the Cartridge	
Loading of the Rifle	7	Chamber	12
Unloading of the Rifle	8	Cleaning of Other Parts	12
The Safety and its Operation	8	Preservation of Rifle	12
Cocking Indicator Operation	8	Waste Management	12
Trigger Adjustment	8	LIST OF PARTS	13
Sight Adjustment	9	TROUBLESHOOTING	14
Rifle Scope	9	TECHNICAL SPECIFICATIONS	15
		LIST OF ILLUSTRATIONS	16

SAFETY INSTRUCTIONS

Always follow the safety instructions for your safety and the safety of others.

1. Always handle your firearm as if it were loaded.
2. Never point the firearm at anything you do not intend to shoot at. Also never point a firearm at anybody even in fun.
3. Never take anyone's word that the firearm is unloaded.
4. Always make sure that your firearm is not loaded before laying it down, or handing it over to another person.
5. Always store the firearm unloaded with the striking mechanism released.
6. Never abuse the firearm by using it for any purposes other than shooting.
7. Never leave a firearm unattended.
8. Prior to loading the firearm ensure the barrel, chamber and action are clean and clear of obstructions. If the firearm becomes excessively dirty during firing clean it immediately. Always clean the firearm after use.
9. Always use clean and dry original high quality commercially manufactured ammunition, which corresponds to the caliber of the firearm.
10. Never drink alcohol or take drugs before and during shooting.
11. Whenever practical always wear safety glasses and ear protection while shooting.
12. Always keep the safety on when the firearm is loaded with a cartridge in the chamber, until you are ready to fire. Keep the firearm pointed in a safe direction when disengaging the safety.
13. Ensure that there is nobody interfering in the way of the ejected cartridge.
14. Never pull the trigger or put your finger within the trigger guard unless you are aiming at a target and ready to fire.
15. Always make absolutely sure of your target and the area behind it before pulling the trigger. The bullet can pass through or past the target up to several hundred meters.

16. Never shoot at a hard surface such as rock, or a liquid surface such as water.
17. Never fire near an animal unless it is trained to withstand the noise.
18. Never indulge in "horseplay" while holding the firearm.
19. Failure to fire: In case it fails to fire, hold the firearm keeping it pointed in a safe direction and wait 30 seconds. If a hangfire (slow ignition) has occurred, the cartridge will fire within 30 seconds. If the cartridge does not fire, eject the cartridge and examine it. If the firing pin indent on the cartridge is light, or non-existent, have the firearm examined by a competent gunsmith.
20. Always make sure your firearm is not loaded before cleaning, storing or travelling.
21. Always keep and store your firearm and ammunition in separate secure locations out of reach and sight of children and unauthorized persons.
22. Never alter any parts of your firearm; the safety and proper function of your firearm could be seriously affected.
23. Always be aware that corrosion, use of damaged ammunition, dropping the firearm on hard surfaces or other "rough treatment" can cause damage that is not necessarily obvious at first sight. If something like this happens, have the firearm examined and tested by a competent gunsmith.

THE RIFLE DESCRIPTION AND TERMINOLOGY

The names of basic rifle parts used in this Instruction Manual are presented in Fig. 1 on the inner side of the cover. Nomenclatures of all CZ 455 parts are presented in the section *List of Parts*.

The CZ 455 is a bolt-action rimfire rifle intended for hunting and sporting purposes, with the possibility to adjust the pull of the trigger. The manual safety prevents the gun from firing and the bolt from opening. Dovetail grooves for a scope mount are provided on the receiver. Several versions are available. The characteristic features of all the versions include the following:

- the rifle is well-balanced and consequently quick and easy to aim
- easy mounting of rifle scope
- controlling elements, which are simple in operation, and easy to reach
- cocking indicator indicates the position of the striking mechanism
- easy stripping for cleaning and routine maintenance, which can be carried out without any tools
- a high degree of accuracy when firing
- a long service life
- high functional reliability in all environments, even with ammunitions made by various manufacturers, and with different types of bullets
- threaded sound moderator attachment (available on special request only and in territories with the appropriate legislation)

INSTRUCTION MANUAL

CZ 455	Caliber			Description
	.22 LR	.22 WMR	.17 HMR	
Standard	✓	✓	✓	Lacquered beech stock with a plastic butt pad, the barrel is equipped with iron sights
Supermatch	✓	✗	✗	Varnished beech stock and plastic butt pad, the barrel has a 12-groove bore and is equipped with sights
American	✓	✓	✓	American-style lacquered walnut stock with a higher comb and plastic butt pad, without iron sights
Varmint	✓	✓	✓	Sport-style lacquered walnut stock with a higher comb, lower rubber butt pad and a heavy barrel without iron sights
Lux	✓	✓	✓	Lacquered walnut stock with a plastic butt pad, iron sights on the barrel
Thumbhole	✓	✓	✓	Provided with a hole for the thumb, the stock of this model is made from laminated wood of different colours; its heavy barrel is not fitted with sights
Evolution	✓	✗	✗	The stock is made from laminated wood and furnished with cheekpieces on both sides; its heavy barrel is not fitted with sights
Synthetic	✓	✓	✓	This model comes with a synthetic stock, the metal parts are blued
Full Stock	✓	✓	✓	This rifle is provided with a full stock made from walnut wood and its grip parts are cut with checkered patterns

OPERATING INSTRUCTIONS

Ammunition

Use only factory-manufactured ammunition of appropriate caliber, which are in compliance with CIP regulations (International Proof Commission for Firearms) or SAAMI (Sporting Arms and Ammunition Manufacturers' Institute Inc. of the United States). The use of other cartridges could damage the firearm or cause injury to the shooter.

Note: It is recommended to use the cartridges of Match category in the CZ 455 Varmint model.

Removing the Magazine

Press the magazine catch located at the front of the magazine, in a rearward direction (Fig. 2), and remove the magazine (single-shot adapter) from the firearm.

Loading the Magazine

With the open end uppermost, grasp the magazine in one hand. Place a cartridge on the magazine follower with the base just forward of the retaining lips. Press the cartridge down and back until it touches the rear edge of the magazine (Fig. 3). Place the next cartridge on top of the previous cartridge and slide in as previously described.

Loading of the Rifle

ALWAYS MAKE SURE THE RIFLE IS POINTED IN A SAFE DIRECTION WHEN LOADING!

Insert a loaded magazine into the rifle until it is physically secured by the magazine catch.

Grip the rifle with the left hand by its fore-end, place the buttplate against your body and grip the bolt handle with the other hand. Open the bolt by raising the bolt handle and pulling it to the rear until it stops (Fig. 4). Then push the bolt continuously to its forward position again and by rotating the bolt handle in a downward direction close the bolt action. This procedure inserts the cartridge into the chamber and cocks the striker mechanism. The rifle is now ready to fire. If you do not intend to fire immediately ensure the firearm safety is applied as described further in the section *Safety and its Operation*.

When using a single-shot adapter, keep it inserted in the rifle, open the bolt and place the cartridge on the follower. Then continue in the same manner as when using the magazine. The single-shot adapter is intended for the highest accuracy levels of shooting, as it protects the bullets against damage during the feeding of cartridges from the magazine.

Unloading of the Rifle

ALWAYS MAKE SURE THE RIFLE IS POINTED IN A SAFE DIRECTION!

- Remove the magazine in the manner already described
- Move the safety to its "Safety-Off" position so that the bolt can be opened
- Open the bolt and check to ensure that the cartridge has been extracted from the chamber and ejected
- Close the bolt
- Depress the trigger (dry fire)

The Safety and its Operation

Shift the safety forward to its "Safety-On" position (Fig. 5) until the red dot is fully covered. This procedure locks the trigger mechanism and the bolt, it is not possible to discharge a cartridge or to operate the bolt.

Cocking Indicator Operation

The striker indicates the cocking of the striking mechanism. When the striker is cocked (activated), its rear part protrudes (Fig. 6). This protrusion can be checked both by sight and by touch.

Trigger Adjustment

The trigger pull adjustment for the CZ 455 is carried out after removal of the stock using the adjusting nut (Fig. 7).

Sight Adjustment

The CZ 455 rimfire rifle enables rear sight adjustment for elevation and windage and front sight adjustment for elevation. The process of adjustment of the front and rear sights depends on their type. The sights have been zeroed at 50m in the factory.

Rear sight elevation and windage adjustment is done either by loosening the screws H (horizontal) and V (vertical), moving the rear sight blade (Fig. 8) or by combining adjustments of the side screws and moving the rear sight slide (Fig. 9). After pressing the rear sight locking piece and moving the rear sight slide, the required firing length can be set. Windage can be adjusted by loosening the screw on the side of the rear sight blade, to which you wish to move your hits and by tightening the screw on the other side.

Adjustment of the front sight is done either by moving the front sight in the groove of its base, in which it is secured against movement by a screw or by two set screws.

Rifle Scope

Mounting of the riflescope and sighting-in of the rifle should be entrusted to a qualified gunsmith's workshop.

MAINTENANCE INSTRUCTIONS

Stripping for Cleaning - Disassembly

1. Remove the magazine.
2. Shift the safety to its "Off" position, in order that the bolt can be operated.
3. Open the bolt, and after depressing the trigger to its extreme rear most position remove the bolt by moving it rearward.

No further disassembly is needed for routine maintenance. When a great number of cartridges has been fired it is advisable to also disassemble the bolt.

Disassembly of the Bolt

1. Remove the bolt from the receiver as previously described.
2. Keeping the firm grip of the bolt body rotate the bolt handle to the right (in the same manner as if closing the bolt in the firearm). The main spring is thus released.
3. Place the striker spring support against a suitable solid object (Fig. 10) and push it a little way into the bolt body. At the same time pulling the safety up and out.
4. After detaching the safety, carefully release the bolt while holding the striker spring support. Be very careful when doing this disassembly procedure as the spring support is under main spring tension and its ejection could result in the loss of this part, or could cause an injury.

CAUTION:

Do not strip your firearm any further. If you assume that your firearm requires adjustment or repair, entrust this work to a competent gunsmith in a specialized workshop!

Barrel Exchange

In case you have bought a rimfire rifle CZ 455 as a set, there is a spare barrel in the package which enables you to change the caliber of the rifle. The changing of the barrel is described below. You can also find the instructions with illustrations on the web pages of Ceska zbrojovka.

1. Disassemble the rifle according to the instructions described in chapter *Stripping for Cleaning - Disassembly*.
2. Unscrew both stock screws, take off the trigger guard together with the trigger guard plate and then take off the stock. When you assemble the rifle after you have changed the barrel the stock screws must be tightened to a torque of 3 Nm.
3. As required put in/take out the magazine housing insert and its pin. The magazine housing insert is used only with the caliber .22LR.
4. Loosen the magazine housing rear screw approximately 1-2 turns. The screw must be loosened in order to let the barrel fit perfectly when it is inserted into the receiver so as to avoid contact with the bolt guide. After the barrel is set tight in the receiver it is necessary to tighten the magazine housing screw up!
5. Loosen both barrel screws and take off the barrel. When you assemble the barrel back again you have to tighten the screws to a torque of 5 Nm. Always tighten the barrel screws only after you have tightened the magazine housing screws.

Cleaning the Rifle

Clean the Rifle

- each time you use it
- if you get your rifle wet
- as soon as possible after shooting
- at least once a year in a temperate climate
- as often as once a month in a tropical climate, or other demanding environments

Cleaning the Barrel and the Cartridge Chamber

If the firearm has not been fired or if only a few cartridges have been fired clean the barrel and cartridge chamber with a clean patch attached to the cleaning rod. Repeat the cleaning, changing patches, until the last patch comes out clean.

When the barrel is very dirty, apply a gun cleaning solution using cleaning brush. Let the solvent act for about 10 minutes (this time may vary depending on the solvent agent being used). Then thoroughly scrub out the barrel. Subsequently, dry the barrel and cartridge chamber with a clean patch and check that all powder residues, or fouling have been removed. If necessary repeat this procedure. The cleaning rod and the brush must be inserted into the barrel from the chamber, to prevent wear or damage to the muzzle. Pass the brush all the way through the barrel before reversing the movement. If you try to change directions with the brush in the barrel, the brush could stick.

Cleaning of Other Parts

Other parts of the rifle can be cleaned with a dry cloth, old toothbrush, copper bristle brush or a wooden scraper. Preserving oil or paraffin oil can be used for proper cleaning. Never use the agent designed for barrel bore cleaning! These solutions could remain in the joints, and after some time could cause corrosion. Check that cloth particles or brush bristles have not become lodged in any part of the rifle. The maintenance of the stock can be carried out with a dry cloth or by some furniture-polishing product.

Preservation of Rifle

When the barrel, chamber, and all accessible parts are clean and dry, wipe these parts with a cloth soaked in gun oil or apply an oil in spray form. Remove all excess oil. Before shooting always pull through the barrel with dry patch. At very low temperatures remove the oil from all accessible parts or apply a lubricant especially for these conditions. Use thick preserving agents such as preserving grease only for long-term storage in severe climatic environments, and remove it thoroughly before use from all parts of the firearm.

Waste Management

When used properly, the materials used in the product and its packaging have no adverse effects on human health or the environment. When disposing of the product or its packaging, all metal parts (steel and non-ferrous metals), plastics, wood, paper and cardboard should be stored separately in collecting containers intended specifically for that purpose.

LIST OF PARTS

1 Barrel *	22 Sear	47 Front Stock Screw	72 Magazine Shell
2 Front Sight *	23 Sear Steel Ball	48 Barrel Screw (2x)	73 Magazine Follower Spring
3 Front Sight Screw *	24 Sear Spring	49 Sling Swivel Assembly (2x)	74 Magazine Follower
4 Front Sight Cover *	25 Sear Pin	50 Sling Swivel Wood Screw	75 Front Sight *
5 Front Sight Base *	26 Trigger	51 Sling Swivel	76 Front Sight Screw (2x) *
6 Front Sight Base Screw *	27 Trigger Rivet	52 Sling Swivel Screw	77 Front Sight Pin*
7 -	28 Trigger Pin	53 Elastic Spacer	78 Front Sight Base *
8 Rear Sight *	29 Trigger Rod Pin	54 Trigger Guard	79 Front Sight Base Screw*
9 Rear Sight Screw (2x) *	30 Trigger Rod	55 Trigger Guard Plate	80 Rear Sight Base *
10 -	31 Trigger Rod Nut	56 -	81 Rear Sight Base Screw (2x) *
11 -	32 Trigger Spring Washer	57 Rear Stock Screw	82 Rear Sight Leaf *
12 Magazine Housing	33 Trigger Pull Spring	58 Magazine Shell	83 Rear Sight Leaf Spring*
Insert	34 Bolt Guide	59 Magazine Follower	84 Rear Sight Blade *
13 Magazine Housing	35 Bolt	60 Magazine Follower Spring	85 Rear Sight Screw (2x) *
Insert Pin	36 Extractor	61 Magazine Base	86 Rear Sight Slide *
14 -	37 Holder	62 Magazine Plunger	87 Rear Sight Locking Piece *
15 Receiver	38 Extractor Spring	63 Magazine Plunger Spring	88 Locking Piece Spring *
16 Magazine Housing	39 Safety	64 Magazine Shell	
17 Magazine Housing	40 Bolt Handle	65 Magazine Follower	
Front Screw	41 Striker	66 Magazine Follower Spring	
18 Magazine Housing	42 Striker Spring	67 Adapter Body	
Rear Screw	43 Striker Spring Support	68 Magazine Shell	
19 Magazine Catch	44 Stock *	69 Magazine Follower	
20 Magazine Catch Spring	45 Butt Plate *	70 Magazine Follower Spring	
21 Magazine Catch Pin	46 Butt Plate Screw (2x)	71 Magazine Base	

The parts marked * differ depending on the model of the rifle, or as the case may be in some versions are entirely missing.

TROUBLESHOOTING

If your firearm is properly used and maintained, malfunctions will rarely occur. However, if such a situation does occur please observe the following instructions.

CAUTION - if a malfunction occurs, the possibility of an accidental discharge is substantially higher. For this reason, when clearing malfunctions, follow the above mentioned Safety Instructions. Keep the rifle pointed in a safe direction, do not turn the rifle against your body or anyone else's. Do not place your hands in front of the barrel!

Malfunction	Possible Cause	Remedy
A cartridge has not been fed into the chamber	Magazine is not fully inserted or is damaged. The rifle or cartridges are fouled (dirty).	Insert magazine properly or change magazine. Clean the rifle and cartridges and wipe them dry or as the situation dicates, slightly lubricate.
Misfire	Defective cartridge. Firing Pin hole is fouled (dirty) or improper lubricant was used in low temperatures conditions.	Follow the Safety Instructions according to point 19. Disassemble and clean the firing pin or use low temperature lubricant.
A shot sounds "weak"	The cartridge has been activated but no powder load was inside the cartridge case.	Unload the rifle and check that the bullet has not obstructed the barrel. Any subsequent shot could cause damage to the barrel!
The spent case has not been ejected	Chamber, extractor or ammunition are dirty or unsuitable lubricant was used in low temperatures.	Clean and wipe the rifle dry or eventually lubricate lightly with a suitable agent. Use clean and new ammunition.

If you are not able to clear the malfunction in a manner described above, entrust the firearm to a competent gunsmith for inspection and repair.

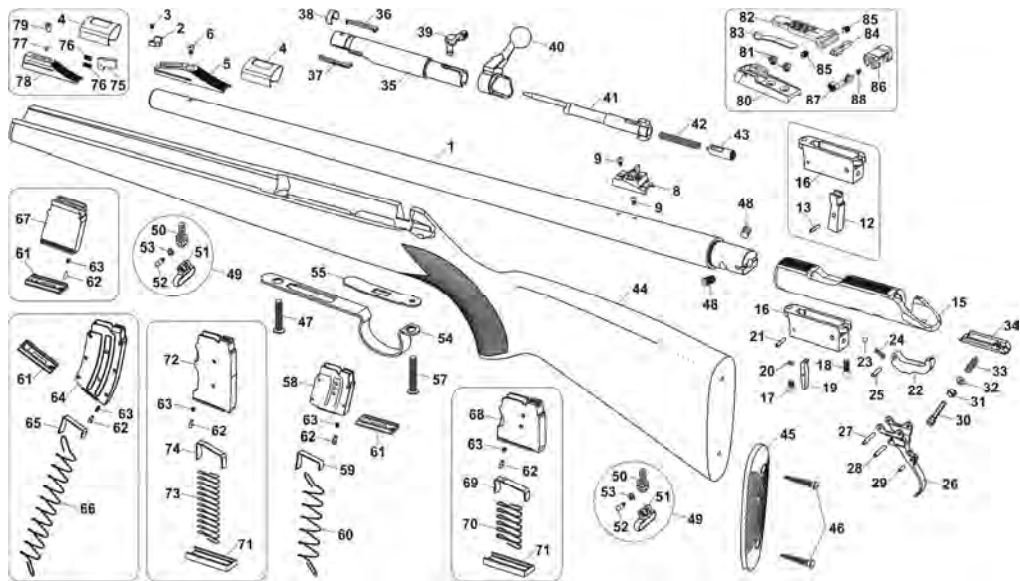
TECHNICAL SPECIFICATIONS

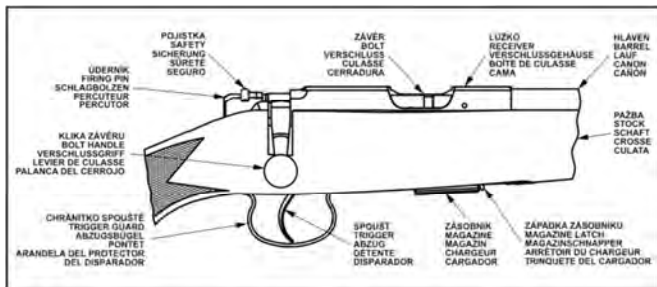
Model	American	Varmint	Standard, Lux, Supermatch	Thumbhole	Evolution	Synthetic	Full Stock
Overall Length [mm]	980/891	980/891	980/1085	975/886	980/891	980/891	995
Height [mm]	168	170	215	170	175	174	193
Width [mm]	65	69	66	75	75	68	65
Barrel Length [mm]	525/436	525/436	525/630	525/436	525/436	525/436	525
Sight Radius (Open Sights) [mm]	-	-	406/511	-	-	-	406
Weight (Empty Magazine) [kg]	2,8/2,7	3,2/3,0	2,8	3,4/3,2	3,4/3,2	2,4	2,7
Magazine Capacity [cartridges]	.22 LR: 5/10 .22 WMR: 5/10 .17 HMR: 5/10						
Trigger Pull, Adjustment Range [N]	9 - 13						

LIST OF ILLUSTRATIONS

1. The Names of Basic Parts
2. Magazine Removal
3. Magazine Loading
4. Loading of the Rifle
5. Detailed View of the Safety
6. Cocking Indicator Operation
7. Trigger Pull Weight Adjustment
8. Detail of the Rear Sight with Fixing Screws
9. Detail of the Rear Sight Slide
10. Disassembly of the Bolt

The Company, reserves the right to make changes it thinks necessary to improve its models or to meet any requirements of manufacturing or commercial nature.





1

2



3



4



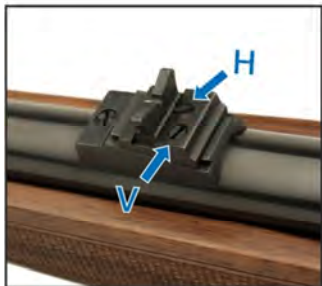
5



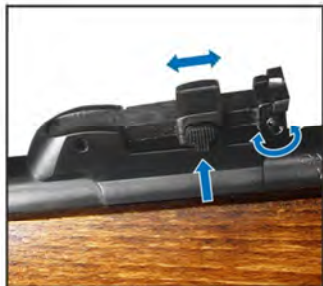
6



7



8



9



10