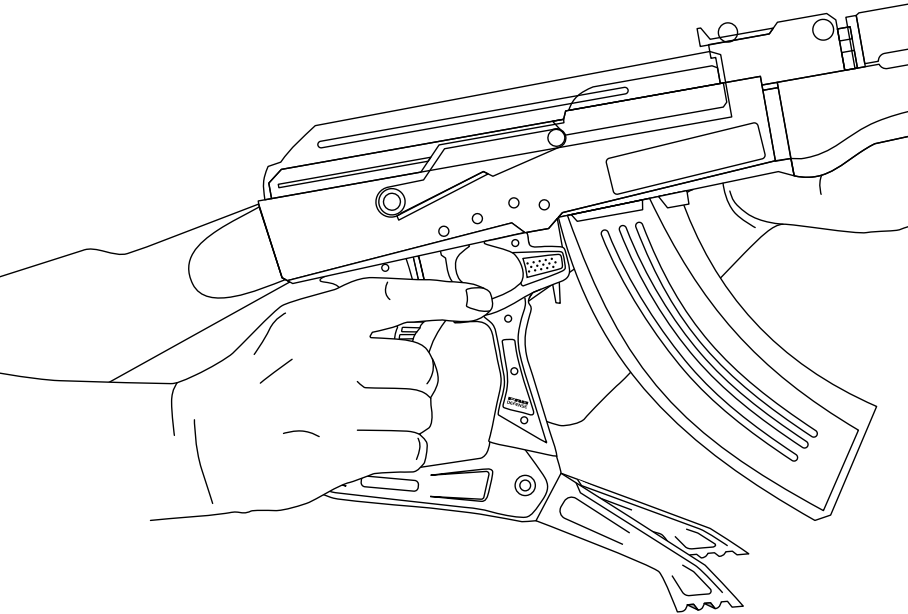


FAB
DEFENSE®

KEEP IT REAL.

AK-PODIUM™

Instructions Manual



Thank you for purchasing another quality product by FAB-Defense®.

The AK-Podium implements a bi-pod support for the AK platform in a new and innovative way. With the AK-Podium, the operator is able to install a steady and durable bi-pod platform without adding weight to the front of the rifle and while saving valuable rail space, or without installing a rail in the first place.

The AK-Podium is easily deployed with the main shooting hand, without having to change your grip on the weapon, or lose the sight picture.

The AK-Podium is easily installed, no Gunsmith involvement is required, just follow the detailed instructions below.

Compatibility: AK-47/ AKM standard models

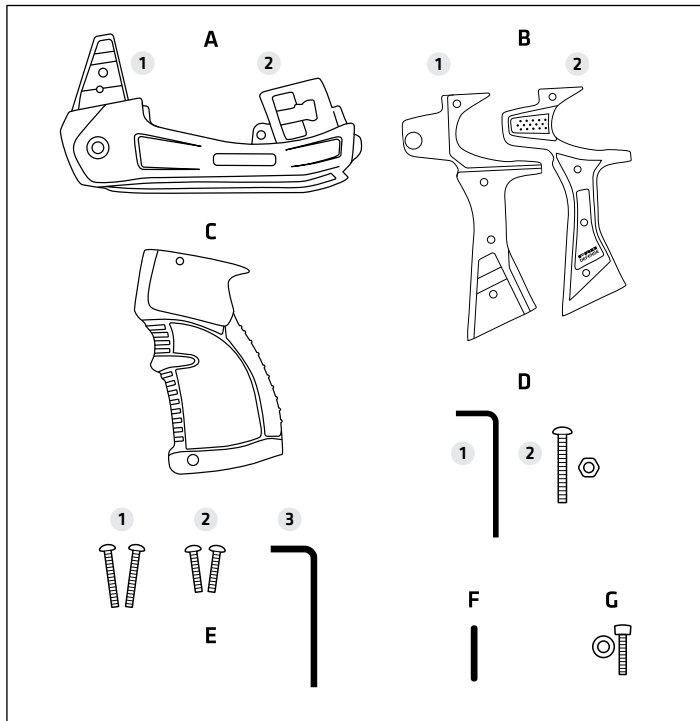
GENERAL SAFETY INSTRUCTIONS

- **Make sure your weapon is unloaded before you begin any assembly or disassembly procedures!**
- **Ammunition should never be present while assembling accessories on a firearm!**
- Always keep your gun pointed in a safe direction. This ensures that even if your gun were to discharge no one will be killed or injured
- Always keep your finger off the trigger until ready to shoot
- Always keep your gun unloaded until ready to use
- Do not store a firearm in a loaded condition
- If you use a firearm for home protection, take extra precaution in the storage of that gun. Store it so that it is not accessible to unauthorized persons.

FAB Defense is a registered trademark of FAB Manufacturing & Import of Industrial Equipment, Ltd. in the United States and other countries. The AK-Podium is covered by one or more of the following patents or pending patent applications: US 9,354,012. 2016© FAB Manufacturing & Import of Industrial Equipment, Ltd. All rights reserved.

Getting To Know The AK-Podium

Your AK-Podium™ includes the following parts:



A. Podium

1. Braces insert
2. Pistol Grip insert

B. Support Braces for AK

1. Right Brace
2. Left Brace

C. AGR-47 pistol grip

D. Pistol grip hardware:

1. 3 mm Hex Key
2. M5 Cap socket screw and nut

E. Braces hardware

1. M3 14 mm socket screws
2. M3 20 mm socket screws
3. 2.5 mm Hex Key

F. Polymer drive-pin

G. M6 socket screw with washer

You will also need:

- Flat-Head screwdriver (do not use any power tools)
- 5 mm Hex Key (at least 120 mm long)
- Soft-Face hammer
- Flat and stable working surface

⚠ WARNING Make sure your weapon is unloaded before you begin any assembly or disassembly procedures. Ammunition should never be present while assembling accessories on a firearm!

To install the AK-Podium you must first remove the existing pistol grip and replace it with the supplied AGR-47 pistol grip. This procedure should be done while the firearm is placed upside-down on a stable working surface. Use your choice of vise and support to ensure your AK is stable and stationary.

Note: If your AK already has the AGR-47 installed, remove the hinged door by tapping out the polymer drive-pin using a Soft-Face hammer and polymer punch.

Installing the AGR-47 pistol grip

Step 1 Remove your existing pistol grip

Step 2 Thread the provided washer on the M6 socket screw (G) and insert them to the correct hole in the AGR-47 (Fig 1).

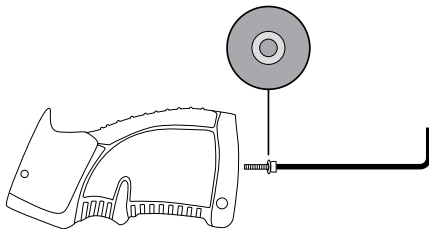
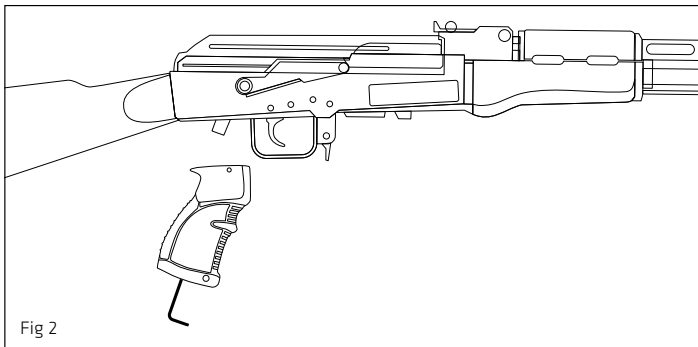


Fig 1

Step 3

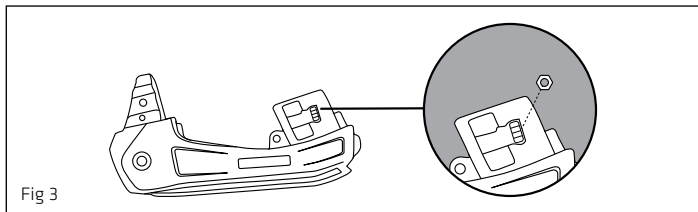
Using your 5 mm Hex key, attach the pistol grip firmly to the AK receiver (do not use any power tools) (Fig 2).

**Installing the Podium**

During the following steps, place the AK sideways on a stable working surface.

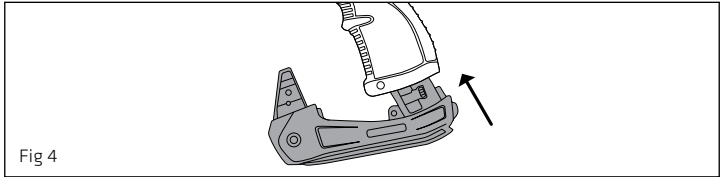
Step 1

Place the supplied M5 nut (D2) into the appropriate slot in the Podium (Fig 3).

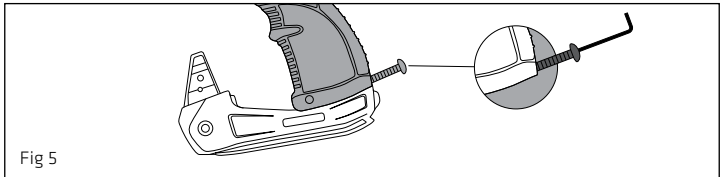


Step 2

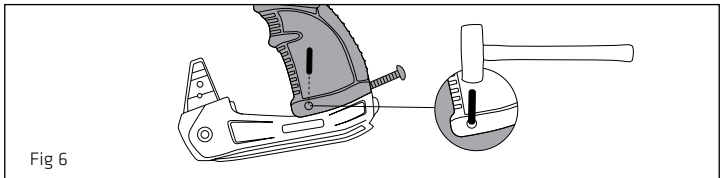
Insert the Podium into the base of the AGR-47 pistol grip, while ensuring the nut stays in place (Fig 4).

**Step 3**

Screw the cap socket screw (D2) only halfway through the dedicated hole in the AGR-47 using the 3mm Hex Key (D1) (Fig 5).

**Step 4**

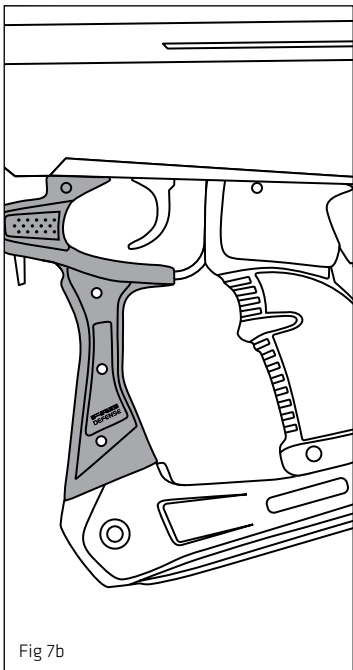
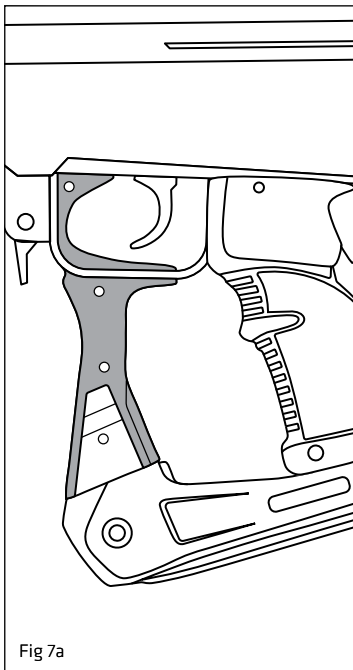
Take the polymer drive-pin (F) and push it firmly into the appropriate hole in the AGR-47 grip. Using the hammer, tap the pin into place with precise and light taps, until the pin is fully inserted (Fig 6).



Step 5

A. Take the right support brace (B1) and place it in the correct as seen below (Fig 7a). Make sure the trigger guard and Podium insert (A1) are firmly seated in the correct slots on the brace.

B. Place the left brace (B2) opposite to the right one (Fig 7b). Make sure the left brace is placed exactly the same as the right one.



Step 5

Use the provided 2.5 mm Hex Key (E3) to tighten the provided M3 screws - use the two shorter M3 14 mm screws (E2) for the two middle positions and use the two M3 20 mm socket screws (E1) for the top most and lowest positions (Fig 8).

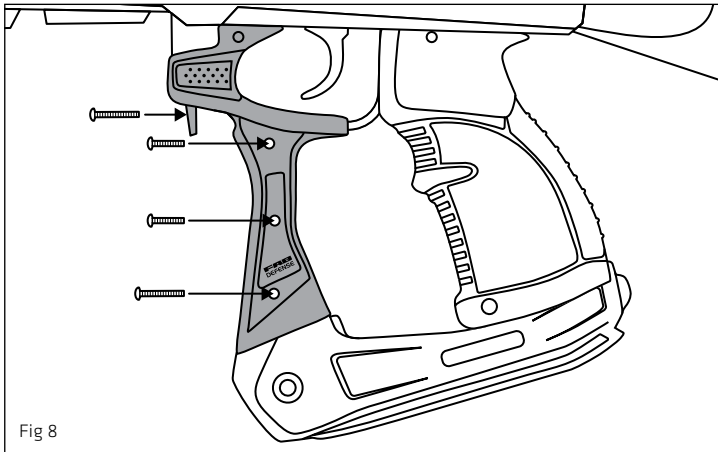


Fig 8

Step 6

Finish tightening the 3mm screw all the way in, using the provided 3mm Hex Key (D1) (Fig 9).

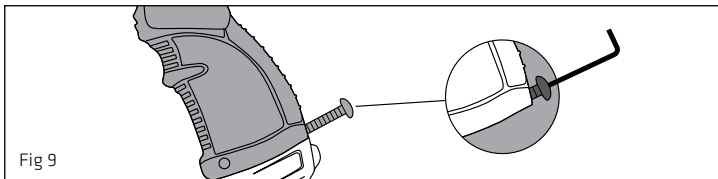
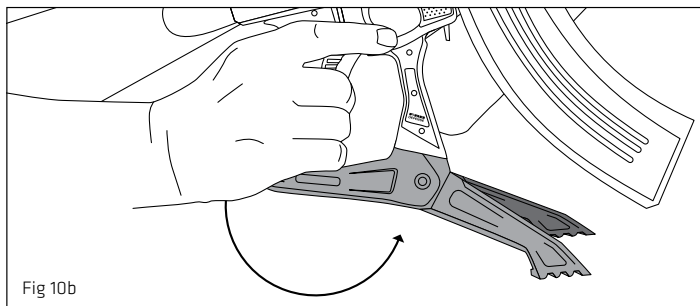
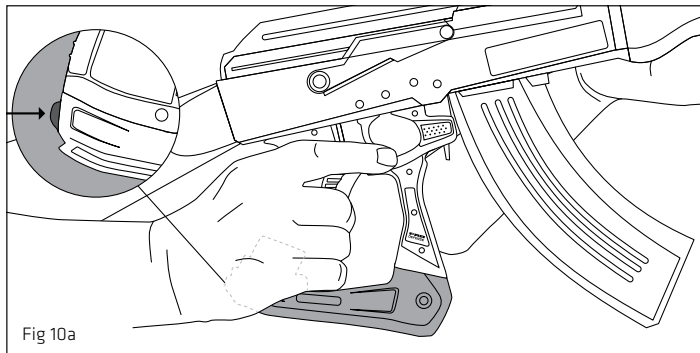


Fig 9

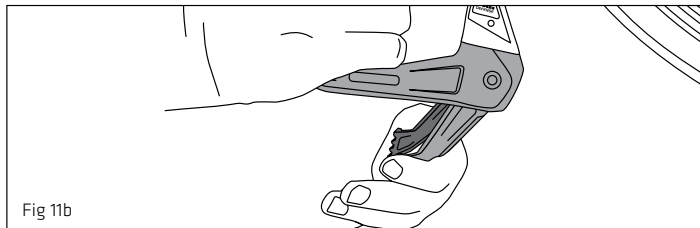
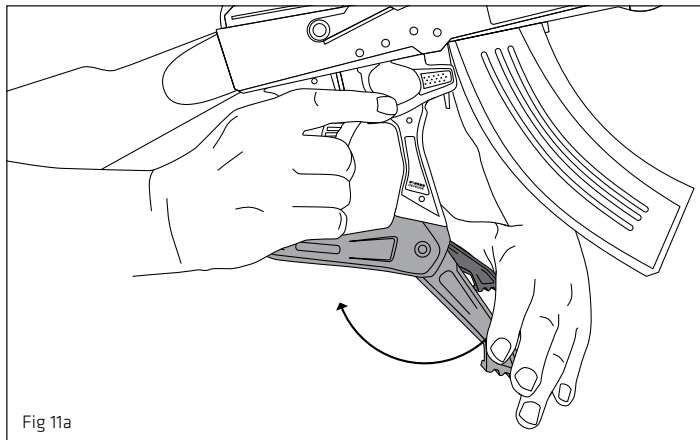
Using the AK-Podium™

To deploy the Podium, push the button, placed under the pistol grip of the AK. The Podium is easily deployed with the main shooting hand, without having to change your grip on the gun (Fig10a+10b).



Folding the AK-Podium™

To fold the Podium, use your off hand and swipe-in both legs, until a positive click is heard (Fig11a+11b).





f Join us on Facebook

www.fab-defense.com
