

WARNING
BEFORE USING THIS FIREARM, READ AND
FOLLOW THE WARNINGS AND INSTRUCTIONS
CONTAINED IN THIS MANUAL.



Operational Manual

Rimfire Pistols

Custom Model

Target Model

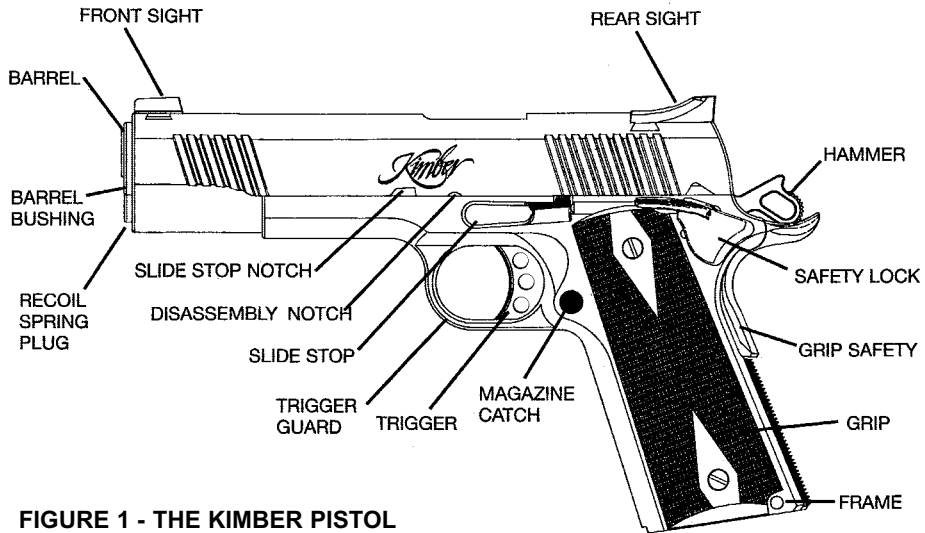


FIGURE 1 - THE KIMBER PISTOL

TABLE OF CONTENTS

Warning.....	4
Main Features and Tech Info	5
Rules of Safety.....	6
Lead Warning	9
Safety Features	9
Chamber Indicators	10
Series II Models	14
Ammunition	12
Loading.....	16
Unloading	19
Break-in Period	20
Firing.....	20
Disassembly.....	21
Assembly	24
Cleaning & Lubrication	25
Warranty Information	27
Instructions for Warranty Repairs	29
Spare Parts.....	29
Custom Shop	29
Parts Illustration	30
Parts List	31

WARNING:

This product is classified as a lethal weapon. Failure to read and properly execute the instructions and warnings in this manual could result in serious injury, death or damage to property.

Do not attempt to practice loading or unloading with live ammunition without a thorough understanding of the safe operation of this pistol.

Always treat a firearm as if it were fully loaded.

Always store and carry this product empty, with the hammer forward on an empty chamber. Failure to do so could result in an unintentional discharge.

Keep out of reach of children.

When you squeeze the trigger, you must expect the pistol to fire and take full responsibility for your actions.

Read through the entire manual before attempting to use this product.

MAIN FEATURES

TECHNICAL INFORMATION

Caliber: .22LR

Barrel Length: 5"

Overall Length: 8.5"

Weight Unloaded: 25 oz.

Frame & Slide: Aluminium

Finish: Black or Silver Anodized

Magazine Capacity: 10

Sights: (Rear) Fixed or Adjustable
(Front) Fixed

SPRING REPLACEMENT CHART

Recoil Spring: .22LR, change every 8000-10000 rounds.

Firing Pin Spring: change every 10000 rounds.

Mainspring: 18 lb., change every 10000 rounds.

RULES OF SAFETY

NOTICE: Kimber Mfg., Inc. shall not be responsible for any death, physical injury or property damage that is the result of the proper or improper use of this product.

1. Always treat this and any other firearm as if it were loaded.
2. Never point this or any other firearm at anything you do not intend to shoot. Keep muzzle pointed in a safe direction.
3. Never take anyone's word that a firearm is unloaded. Clear it yourself with finger off the trigger and the muzzle pointed in a safe direction. Remove the magazine, lock the slide open and visually check to ensure that no round is chambered.
4. Always make sure the pistol is unloaded and the slide is latched open before laying it down or handing it to someone else.
5. **Safe Carrying Condition:** Never carry this pistol cocked, loaded and ready to fire as this practice could easily result in an unintentional discharge. Do not carry a loaded gun with a live round in the chamber while walking, running or crossing any obstacle, where there is any possibility of slipping or falling as this could lead to a possible unintentional discharge.

6. Always make sure that this firearm is in top working condition and that no internal parts have been damaged as a result of corrosion, improper maintenance or dropping. If evidence of these conditions exist, have them inspected by a competent gunsmith prior to use.
7. Never leave a loaded pistol unattended.
8. Make sure that your backstop is adequate to stop your bullets prior to shooting.
9. Make sure all other shooters and bystanders are well away from the ejection port. Empty cases are ejected under force and may cause injury if someone is struck.
10. Obey all range rules at all times.
11. Always wear adequate hearing and eye protection when using any firearm.
12. While on the range, be sure to carry this pistol cleared, with slide locked open and muzzle pointed in a safe direction until ready to shoot.
13. Always ensure that barrel and action are clear of obstructions. Shooting a blocked firearm can result in serious injury or death and damage to the weapon.
14. Never drink alcoholic beverages or take drugs prior to or during shooting or handling of this or any other firearm.

15. Seek a doctor's advice if you are taking medicine prior to engaging in any shooting activity.
16. Keep safety on when pistol is loaded and cocked until ready to fire. Immediately unload and clear this pistol when shooting sequence has been completed.
17. Never shoot at any hard or flat surface, such as rock or water. The resulting ricochets could result in physical injury, death or property damage.
18. Never put your finger in the trigger guard until you are ready to fire.
19. Always make sure pistol is unloaded before cleaning.
20. Never force a jammed action. This could cause a round to explode resulting in physical injury and damage to the pistol.
21. If firearm fails to fire when trigger is pulled, as a result of slow primer ignition (hangfire), keep muzzle pointed downrange for a minimum of 30 seconds. If the round does not fire, remove the magazine, clear the weapon and examine the ejected, unfired cartridge. If the indent from the firing pin is off center, light or absent, take the pistol to a competent gunsmith. If the indent appears normal compared to other

rounds, assume a faulty round, separate from other cartridges, reload and continue shooting.

22. Never use this pistol in any manner other than that for which it was specifically intended.
23. Never indulge in "horseplay" while holding any firearm.

LEAD WARNING

Discharging firearms in poorly ventilated areas, cleaning firearms, or handling ammunition may result in exposure to lead and other chemicals known to cause birth defects, reproductive harm, cancer, and other serious physical injury. Have adequate ventilation at all times. Wash hands thoroughly after exposure.

SAFETY FEATURES

This Kimber firearm is equipped with several safety features which, if properly employed, can minimize the danger of accidental discharge.

NOTE: Never rely on mechanical safeties to overcome improper maintenance or unsafe handling practices. Always point the muzzle in a safe direction.

TRIGGER GUARD

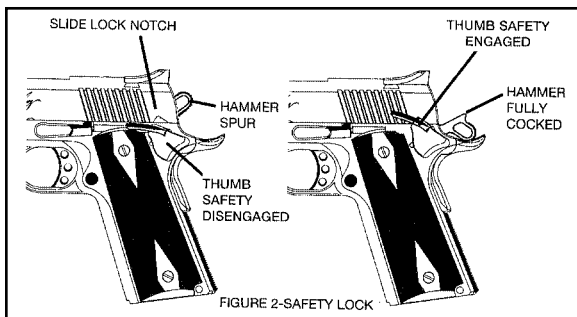
The trigger guard is a loop of metal that surrounds the trigger, protecting it from damage or accidental discharge.

SAFETY LOCK OR THUMB SAFETY

The thumb safety is located on the left side of the frame immediately forward of the hammer. To operate, pull slide to its most rearward position and release. Then push the thumb safety upward until it fully engages the slide lock notch. The slide lock safety cannot be engaged unless the hammer is fully cocked and the slide is fully forward (in battery). To disengage the safety, point in a safe direction and move safety lever downward completely.

GRIP SAFETY

The grip safety is located on the upper rear portion of the frame immediately below the hammer and is automatically engaged through spring pressure. It



prevents the rearward movement of the trigger. To disengage, grip the pistol grip firmly. This will allow grip safety to move out of contact with rear of trigger, allowing the gun to fire.

DISCONNECTOR

The disconnecter prevents the pistol from firing when the slide and barrel are not fully closed (in battery). If the slide is not fully forward, the disconnecter is depressed and disengages the sear so that the hammer cannot drop if the trigger is pulled. With the slide fully forward and the barrel locked, a spring pushes the disconnecter into a recess in the bottom of the slide. The disconnecter now engages the sear so that the hammer can move forward when the trigger is pulled.

HAMMER SAFETY STOP

The hammer safety stop is a notch on the hammer which prevents it from falling fully forward in the event of primary sear failure. It also prevents the hammer from hitting the firing pin should your fingers slip from the slide or hammer while cocking the pistol, provided the hammer has been moved past the stop. The safety stop is not a manual safety! Do not under any circumstances use the safety stop as a "half cock" position. This misuse can result in damage to the sear, and/or unintentional discharge of the pistol. The safety

stop position is an automatically engaging safety feature and should never be engaged by hand!

AMMUNITION

1. Use only high quality .22 ammunition. We do not suggest using sub-sonic ammunition. Don't oil cartridges. Don't spray aerosol type lubricants, preservatives, or cleaners directly onto cartridges or where excess spray may flow into contact with cartridges. Lubricant or other foreign matter on cartridges can cause potentially dangerous ammunition malfunctions. Use only ammunition of the caliber for which your firearm is chambered. The proper caliber is permanently engraved on the barrel of your firearm; never attempt to use ammunition of any other caliber.
2. Always use ammunition that complies with the industry performance standards established by the Sporting Arms and Ammunition Manufacturers' Institute, Inc. of the United States (SAAMI). For best results, we recommend quality Standard and Hi-Velocity ammunition.
3. Firearms may be severely damaged, and serious injury to the shooter or others may result from any condition causing excessive pressure inside the chamber or barrel during firing.

Excessive pressure can be caused by obstruction in the barrel, propellant powder overloads, or by the use of incorrect or defectively assembled cartridges. In addition, the use of a dirty, corroded or damaged cartridge can lead to a burst cartridge case and consequent damage to the firearm and personal injury from the sudden escape of high-pressure propellant gas within the firearm's mechanism.

4. Immediately stop shooting and check the barrel for a possible obstruction whenever:
 - You have difficulty in, or feel unusual resistance in chambering a cartridge, or
 - A cartridge misfires (does not go off), or
 - The mechanism fails to extract a fired cartridge case, or
 - Unburned grains of propellant powder are discovered spilled in the mechanism, or
 - A shot sounds weak or abnormal.
- In such cases it is possible that a bullet is lodged part way down the barrel. Firing a subsequent bullet into the obstructed barrel can damage the firearm and cause serious injury to the shooter or bystanders.

5. Bullets can become lodged in the barrel:
- If the cartridge has been improperly loaded without propellant powder, or if the powder fails to ignite. (Ignition of the cartridge primer alone will push the bullet out of the cartridge case, but usually does not generate sufficient energy to expel the bullet completely from the barrel), or
 - If the bullet is not properly seated tightly in the cartridge case. When such a cartridge is extracted from the chamber without being fired, the bullet may be left behind in the bore at the point where the rifling begins. Subsequent chambering of another cartridge may push the first bullet further into the bore.
6. If there is any reason to suspect that a bullet is obstructing the barrel, immediately unload the firearm and look through the bore. It is not sufficient to merely look in the chamber. A bullet may be lodged some distance down the barrel where it cannot easily be seen. **If a bullet is in the bore, do not attempt to shoot it out by using another cartridge, or by blowing it out with a blank or one from which the bullet has been removed. Such techniques can generate excessive pressure, damage the firearm and cause serious personal injury.**

If the bullet can be easily removed with a wood or brass dowel, (using hand pressure only, never "hammer" a bullet lodged in the bore) clean any unburned powder grains from the bore, chamber and mechanism before resuming shooting. If the bullet can not be dislodged by using hand pressure, take the firearm to a gunsmith.

7. Dirt, corrosion, or other foreign matter on a cartridge can impede complete chambering and may cause the cartridge case to burst upon firing. The same is true of cartridges which are damaged or deformed.
8. Don't oil cartridges, and be sure to wipe the chamber clean of any oil preservative before commencing to shoot. Oil interferes with the friction between cartridge case and chamber wall that is necessary for safe functioning, and subjects the firearm to stress similar to that imposed by excessive pressure.
9. Use lubricants liberally on the moving parts of your firearm. Avoid excessive spraying of any aerosol gun care product, especially where it may get on ammunition. All lubricants, and aerosol spray lubricants in particular, can penetrate cartridge primers and cause misfires. Some highly penetrative lubricants can also migrate inside cartridge cases and cause

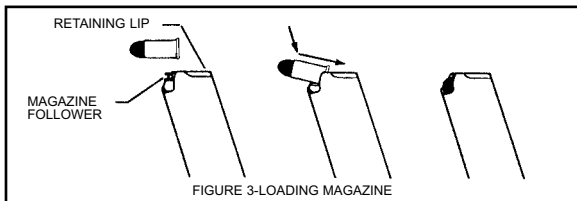
deterioration of the propellant powder; on firing, the powder may not ignite. If only the primer ignites, there is a danger that the bullet may become lodged in the barrel.

LOADING

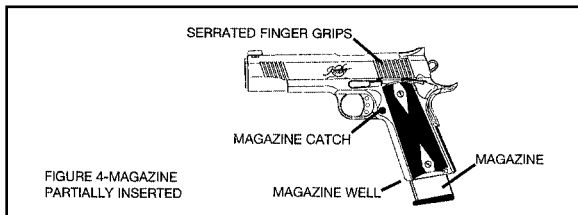
Keep muzzle pointed in safe direction and follow all safety procedures at all times.

Practice these steps with an unloaded pistol or dummy ammo until you are completely familiar and comfortable with the procedures. Use live ammo only when you are prepared to shoot. Always use clean, dry, high quality ammunition (of the proper caliber) that meets industry performance standards.

1. To release the empty magazine from the frame, hold hand under magazine and push the magazine catch which is located on the left side of the frame behind the trigger. This will cause the magazine to fall free of the magazine well.
2. To load the magazine, place the round at the top (open end), push down and back making sure that the back of the cartridge is facing the rear of the magazine. Repeat this procedure until magazine is fully loaded.



3. Place the magazine in the magazine well in the frame, with the rounds facing forward, and push up until magazine is fully seated. A click will be heard when this is done properly as the magazine catch engages.
4. To chamber a round, hold the pistol in the shooting hand **without touching the trigger.** **Make sure it is pointed in a safe direction.** With the thumb and forefinger of the opposite hand,



grab the serrations on both sides of the rear of the slide and pull it fully rearward, then release.

Do not "ride" the slide down to the forward position. Fully release the slide allowing the recoil spring to move the slide unhindered. Keeping your hand on the slide may cause a misfeed, or stop the slide from fully closing. Racking the slide will cock the hammer, strip off the top round from the magazine and chamber it. **The pistol is now fully loaded and ready to fire. Keep muzzle pointed in a safe direction and engage thumb safety until ready to shoot.**

Always unload pistol immediately after use and before storage.

NOTE: Our 1911 style Rimfire handgun was designed to function best with Quality Standard Velocity or Hi-Velocity ammunition.

When cartridges fail to feed, check the following:

- A. Substandard ammunition.
- B. Cartridge overall length too short or too long.
- C. Bullet nose too blunt.
- D. Slide is short stroking. Ammo charge is not to SAAMI specs for .22ILR.

UNLOADING

1. To unload, first remove magazine as in step 1 of previous section.
2. If all of the rounds from the magazine have been fired, slide will not automatically lock in the open position. Always visually check to see that the chamber is clear.

If magazine is not removed prior to this procedure, any rounds left in it will be chambered, which could lead to an unintentional discharge. The pistol will fire with a round chambered and the magazine removed.

3. Since the slide does not automatically lock in the rear-ward position as a result of firing the last round from the magazine, you must rack the slide completely to the rear and engage the slide stop manually by pushing upward into the slide stop knotch. Visually inspect the chamber to ensure that it is clear.
4. **Point the pistol in a safe direction.** Release slide forward onto the empty chamber by pulling slide fully rearward and releasing or by manually rotating the slide stop downward past the slide stop notch. Ease the slide closed. Repeatedly allowing the slide to slam closed on an empty chamber will cause premature wear and loosening on a 1911 such as the Kimber.

5. Pull the trigger allowing the hammer to free fall forward on the empty chamber. Do not "ease" the hammer down by holding or blocking it. Doing so can mar the sear tip which will result in a substandard trigger pull.
6. To remove any remaining rounds from the magazine, push the cartridges forward until they clear the retaining lips.

BREAK-IN PERIOD

Before firing the pistol for the first time, Field Strip and clean the firearm following proper procedures. (see **DISASSEMBLY, CLEANING and LUBRICATION and ASSEMBLY Instructions in this Manual**) Kimbers firearms are quality custom pieces. Our firearms are hand fitted to tight tolerances. For proper Break-in of the firearm shoot 200-300 rounds of Quality Hi-Velocity .22 LR Ammunition, cleaning and lubricating the gun every 100-150 rounds.

FIRING

Always wear eye and hearing protection when shooting.

1. **Point muzzle in a safe direction.**
2. Load pistol as previously directed.
3. Grip the frame firmly, depressing the grip safely.

4. With your finger well clear of the trigger, rotate Thumb safety downward.
5. Place index finger on trigger, take aim and gently squeeze rearward until hammer is released and falls forward striking the firing pin.
Be prepared for loud noise and recoil.

Note: This is a semi-automatic pistol and will eject the empty cartridge, recock the hammer, and chamber a new round. It will continue to fire with each subsequent pull of the trigger until all rounds in the magazine have been fired.

6. Continue procedure until magazine is empty and slide is locked open.
7. If all rounds have not been fired and you wish to stop shooting, remove the Magazine, immediately engage slide stop and follow procedures for unloading previously described.

DISASSEMBLY (FIELD STRIPPING)

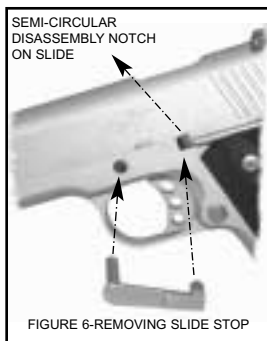
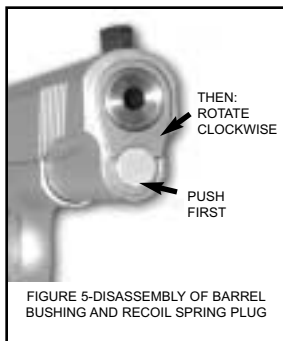
This product should be cleaned after every use and when exposed to dirt, sand, etc. When not in use, clean at least twice per year.

Perform all safety checks to Clear the pistol

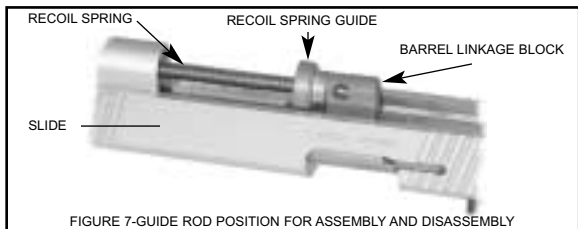
1. With the pistol unloaded, the magazine removed and the hammer down, depress the recoil spring plug, with the supplied wrench,

or your thumb and turn the barrel bushing clockwise, towards the right side of the pistol until the recoil spring plug and recoil spring are free. **Be careful, the recoil spring and plug are under tension and can fly out with substantial force.**

2. Ease out recoil spring and plug. If recoil spring does not come out easily, remove plug and leave the spring for step 6.
3. Cock the hammer and push the slide rearward until the semi-circular tab on the back of the slide stop aligns with the semi-circular disassembly notch in the bottom of the slide.
4. Push inward on the end of the slide stop shaft on the right side of the pistol and remove the slide stop from the left side.



5. Remove the slide assembly forward off the frame.
6. Remove the recoil spring through the opening at the front of the slide.
7. Remove the recoil spring guide from the bottom of the slide .
8. Turn the barrel bushing counterclockwise until the lug aligns with the opening and remove the bushing from the front of the slide.



9. Pull the barrel forward clear of the slide. The pistol is now disassembled for cleaning purposes (field stripped).

Do not drop the hammer while slide is removed from the pistol.

ASSEMBLY

To reassemble, follow steps in reverse order. Align the barrel linkage block with the slide latch hole in the frame. The alignment can be seen through the hole and hole in the block can be aligned by moving the slide very carefully back and forth until it drops into place. Align the linkblock hole first, insert the slide stop shaft and then rotate the slide stop upward until it aligns with the disassembly notch. Then push the slide stop inward until it is properly seated.

CLEANING

Always run the cleaning rods from the chamber end.

1. Disassemble pistol as described in previous section.
2. Run a wet patch through the bore. Let soak a few minutes. (Always read the manufacturers' directions of the bore cleaner you are using.)
3. Run a dry patch through to remove loose crud/deposits.
4. Run a wet bore brush through the chamber end of the barrel a few passes.
5. Run a dry patch to remove the dirt.
6. Repeat steps 4 and 5 a few times until the patch comes out clean.

7. Lightly oil the barrel. NOTE: Run a dry patch through the barrel before firing to remove oil.
8. Wipe off all dirt on all bearing surfaces on slide and frame.
9. Clean breech face and all parts (an old toothbrush or similar nylon brush works well).
10. Follow lubrication directions before re-assembling.

LUBRICATION

1. Use a High Tech Gun Oil such as Shooters Choice FP-10 or similar quality oil (grease is not recommended). If oil contains Teflon be sure to shake well before using as the Teflon settles when left overnight.
2. Lubricate the following internal parts of the pistol:
 - a. Slide and Frame rails - Oil. Do not over oil!
 - b. Disconnecter on top of frame - Small drop.
 - c. Barrel Hood - two drops, spread on hood.
 - d. Slide Stop pin - one drop, spread with finger.
 - e. Outside of Barrel - Oil. Do not over oil, spread with fingertip.

- h. Cock Hammer - one drop in between the hammer and frame.
- i. Assemble gun. Rack the Slide 5-6 times, dry fire, wipe off excess oil from gun.
- j. Make sure, if you have stored the gun with oil in the barrel and chamber, that you run a dry patch through the barrel to clear it of the oil before you fire the gun.

3. Reassemble as previously described.

The key is moderation. Not enough oil and your gun may not function properly and lead to undo wear. Too much oil and you risk attracting damaging dirt and debris to the bearing surfaces causing undo wear and potential functioning problems. All metal parts even Stainless Steel should be lightly lubricated because

RUST IS NEGLECT!

Cloths impregnated with silicone are good for this purpose.

SPECIAL NOTE: The frame and slide on your Rimfire Pistol are Aluminium. Take special care to read all directions of cleaning solvents to assure it is safe to use on Anodized Aluminium.

4. For long term storage or if you live in a particularly damp or salty area, a good quality rust preventative should be used, even on the Aluminium. We recommend Shooters Choice Rust Prevent or equivalent.

WARRANTY INFORMATION

This "Limited Warranty" has been drafted to comply with the Magnuson-Moss Warranty Federal Trade Commission Improvement Act which is effective for goods manufactured on or after December 31, 1995.

Kimber Mfg., Inc. firearms are warranted to be free from defects in material and workmanship for one (1) year after the date of original new gun retail purchase, the Manufacturer agrees to correct by repair or replacement (with the same or comparable quality model) your firearm, without charge, if returned prepaid with a copy of the bill of sale.

Kimber Mfg., Inc. assumes no responsibility for product malfunction or for physical injury or property damage resulting in whole or in part from criminal or negligent use of the product, improper or careless handling, unauthorized modifications, use of defective, improper, hand-loaded ammunition, customer abuse or neglect of the product, or other influences beyond Kimber Mfg., Inc.'s control. This warranty does not apply to normal wear of any parts, including metal, wood, plastic, rubber and other material's surfaced finish or if unauthorized repair and/or alteration has been performed.

This warranty does not cover repairs related to unreasonable use, corrosion, failure to provide proper maintenance, damaged or shopworn display guns, gun barrels damaged by an obstructed bore or guns damaged in return shipment due to improper packing and handling.

Kimber Mfg., Inc. reserves the right to inspect any product before making any adjustment covered by this warranty.

Under no circumstances shall Kimber Mfg., Inc. be liable for incidental or consequential damages with respect to economic loss or injury or property damage whether the result of breach of express or implied warranty.

Some states do not allow the exclusion of consequential or incidental damages so the limitation may not apply to you. This warranty gives only the original retail purchaser specific legal right. Other rights may also be available which may vary from state to state.

The terms of the warranty cannot be changed except in writing by an officer of Kimber Mfg., Inc.

The Kimber factory in Yonkers, New York is the only authorized repair location.

INSTRUCTIONS FOR WARRANTY REPAIRS

Return handguns to KMI, 1 Lawton St., Yonkers, NY, 10705, Attn: Warranty Repairs via UPS Next Day Saver or FedEx. Securely attach complete letter to handgun inside of package. The contents of the letter must include: your name, complete return mailing address (not a P.O. address), telephone number (daytime), serial number of gun sent and a complete description of the problem. There must be a person over 18 years of age to sign for the package.

SPARE PARTS

Only use genuine Kimber spare parts. Use of inferior aftermarket parts can create unsafe conditions. Use of aftermarket parts voids all guarantees and warranties. Modifications and alterations of the pistol or its parts voids all guarantees and warranties.

CUSTOM SHOP

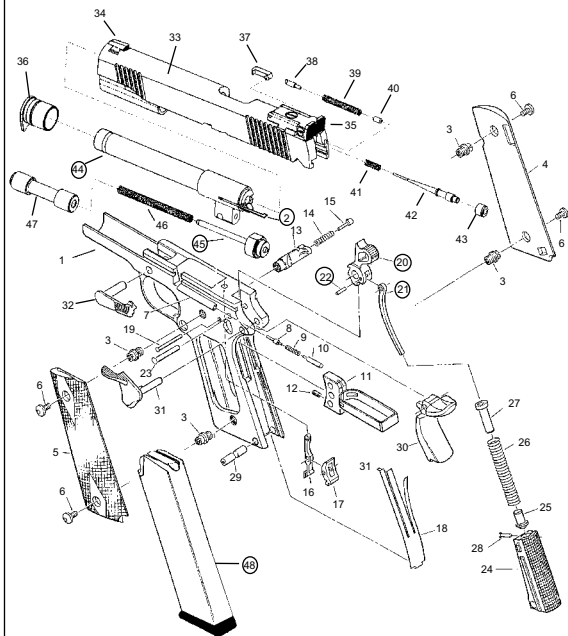
The Kimber Custom Shop was established at the request of Kimber Customers who asked to have their Kimbers professionally modified. As well as shooters interested in purchasing genuine Kimber accessories. Factory installed parts maintain the original warranty. Call 914-964-0742 (or fax 914-964-9340) for information or visit the Kimber Web Site at:

www.kimberamerica.com

Most products can be ordered on-line from the Kimber Web Site.

PARTS ILLUSTRATION

.22 RIMFIRE PISTOL (RIMFIRE TARGET PICTURED)



○ - DESIGNATES AN ASSEMBLY

PARTS LIST

- | | |
|--|------------------------|
| 1. FRAME | 32. SLIDE STOP |
| 2. EJECTOR | 33. SLIDE |
| 3. GRIP SCREW BUSHING (4) | 34. FRONT SIGHT |
| 4. GRIP, STARBOARD SIDE | 35. REAR SIGHT |
| 5. GRIP, PORT SIDE | 36. BARREL BUSHING |
| 6. GRIP SCREW (4) | 37. EXTRACTOR |
| 7. PLUNGER TUBE | 38. EXTRACTOR PLUNGER |
| 8. SLIDE STOP PLUNGER | 39. EXTRACTOR SPRING |
| 9. PLUNGER SPRING | 40. EXTRACTOR PLUG |
| 10. THUMB SAFETY
PLUNGER | 41. FIRING PIN SPRING |
| 11. TRIGGER ASSEMBLY | 42. FIRING PIN |
| 12. TRIGGER STOP SCREW | 43. FIRING PIN STOP |
| 13. MAGAZINE CATCH | 44. BARREL |
| 14. MAGAZINE CATCH
SPRING | 45. GUIDE ROD* |
| 15. MAGAZINE CATCH LOCK | 46. RECOIL SPRING |
| 16. DISCONNECTOR | 47. RECOIL SPRING PLUG |
| 17. SEAR | 48. MAGAZINE ** |
| 18. SEAR SPRING | |
| 19. SEAR PIN | |
| 20. HAMMER | |
| 21. HAMMER STRUT | |
| 22. HAMMER STRUT PIN | |
| 23. HAMMER PIN | |
| 24. MAINSPRING HOUSING | |
| 25. MAINSPRING HOUSING
PIN RETAINER | |
| 26. MAINSPRING | |
| 27. MAINSPRING CAP | |
| 28. MAINSPRING CAP PIN | |
| 29. MAINSPRING HOUSING
PIN | |
| 30. GRIP SAFETY | |
| 31. THUMB SAFETY | |

*Supplied as an Assembly

**Supplied as Magazine
Assembly

BASIC NRA RULES FOR SAFE GUN HANDLING

1. ALWAYS KEEP THE GUN POINTED IN A SAFE DIRECTION.
2. ALWAYS KEEP YOUR FINGERS OFF THE TRIGGER UNTIL READY TO SHOOT.
3. ALWAYS KEEP THE GUN UNLOADED UNTIL READY TO USE.
4. ALWAYS TREAT YOUR GUN AS IF IT IS LOADED AND READY TO DISCHARGE.



Kimber Mfg., Inc.
1 Lawton Street
Yonkers, NY 10705

Sales — 888-243-4522

Customer Service — 914-964-0771

Fax — 914-964-9340

Web Address — www.kimberamerica.com