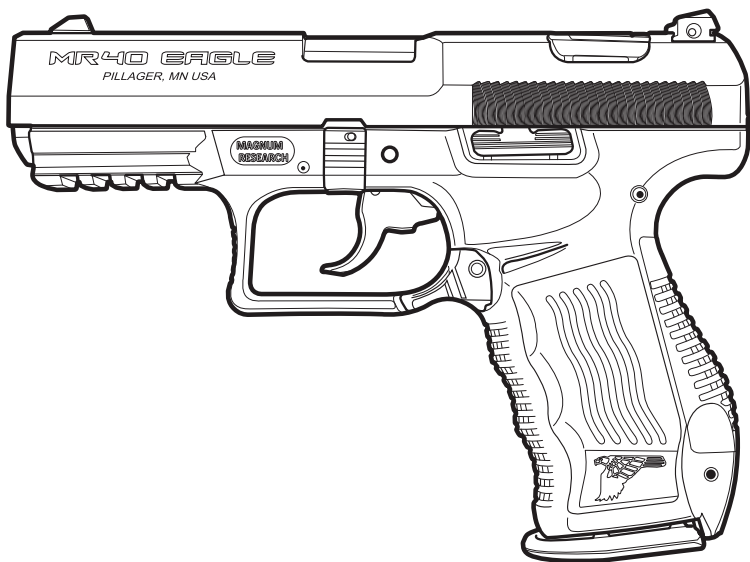


SAFETY AND INSTRUCTION MANUAL

**MR9 Eagle & MR40 Eagle
DA/SA "Fast Action" Pistols**



**READ THE INSTRUCTIONS AND WARNINGS
IN THIS MANUAL CAREFULLY BEFORE
USING THIS FIREARM.**



MAGNUM RESEARCH, INC.®

Factory: 12602 33rd Avenue SW, Pillager, MN 56473

Sales: 508-635-4273 | Fax: 508-795-7046

Support & Service: 508-635-4273 | Fax: 218-746-3097

Website: www.MagnumResearch.com



WARNING

READ THESE INSTRUCTIONS AND WARNINGS CAREFULLY. BE SURE YOU UNDERSTAND THESE INSTRUCTIONS AND WARNINGS BEFORE USING THIS FIREARM. FAILURE TO READ THESE INSTRUCTIONS AND TO FOLLOW THESE WARNINGS MAY RESULT IN SERIOUS INJURY OR DEATH TO YOU AND OTHERS.

This SAFETY & INSTRUCTION MANUAL should always accompany this firearm and be transferred with it upon change of ownership or when presented to another person.

NOTE

This manual refers to the use of the pistol by civilian users. Instructions for law enforcement use may differ from what is described in this manual.

Throughout this instruction manual, position designations such as “left,” “right,” “forward,” “rear,” and so on, are referenced to a pistol held in a normal firing position.

In other words, pointed away from the shooter, barrel in a generally horizontal direction, and with the grip of the pistol pointing downwards.

Explanations in this manual are based on right hand operation. Left-handed users should operate vice versa.

DISCLAIMER OF LIABILITY

The first concern when handling any firearm is safety. The failure to do so may result in property damage, serious bodily injury or even death. MAGNUM RESEARCH specifically disclaims any and all liability arising out of the use of this firearm and its accessories. Under no circumstances shall MAGNUM RESEARCH be responsible for incidental or consequential damages with respect to economic loss or injury to person or property due to negligence, improper use, failure to follow instructions in this manual, unsafe handling, failure to maintain the pistol, unauthorized replacement of parts, disregard of statutory rules or laws or any other modification to the pistol.

Table of Contents

	State by State Warnings	4
1	YOUR SAFETY RESPONSIBILITIES	5
1.1	Safe Storage and Transportation	8
2	PRODUCT DESCRIPTION	9
2.1	Main Features	9
2.2	Package Contents	9
2.3	Ammunition	9
2.4	Functional Elements, Model Number Identification	11
2.4.1	Loaded Chamber Indicator	11
2.4.2	Striker Status Indicator	11
2.4.3	Magazine Release	11
2.4.4	Slide Stop	12
3	PREPARATION FOR FIRING	12
3.1	Inspecting the Pistol	13
3.2	Loading	14
3.2.1	Magazine	14
3.2.2	Loading the magazine	14
3.2.3	Loading the pistol	14
3.3	Decocker	16
3.4	Firing the MR9 Eagle / MR40 Eagle “Fast Action”	16
3.4.1	Firing, General	16
3.4.2	Firing the MR9 Eagle / MR40 Eagle “Fast Action”	17
3.4.2.1	MR9 Eagle / MR40 Eagle “Fast Action”, Double Action Trigger	17
3.4.2.2	MR9 Eagle / MR40 Eagle “Fast Action”, Single Action Trigger	18
3.5	Exchanging Empty Magazines	18
3.6	Unloading the Pistol	19
3.7	Clearing Misfires	19
4	FIELD-STRIPPING, CLEANING, LUBRICATION, AND MAINTENANCE	20
4.1	Main Components	20
4.1.1	Field-Stripping Disassembly	20
4.1.2	Field-Stripping Reassembly	21
4.2	Magazine	22
4.2.1	Disassembly	22
4.2.2	Assembly	22
4.3	Cleaning the Pistol	22
4.4	Lubrication	24
4.5	Maintenance Before Storing	24
5	ADJUSTING THE PISTOL TO ITS USER	25
5.1	Grip	25
5.2	Sights	25
6	ACCESSORIES	26
7	CONTACT & SHIPPING	26
8	EXPLODED VIEW	28
8.1	Parts List	29
9	MR9 EAGLE / MR40 EAGLE “FAST ACTION” SPECIFICATIONS	30
	LIMITED ONE-YEAR WARRANTY	30

State by State Warnings

CALIFORNIA:

WARNING: Children are attracted to and can operate firearms that can cause severe injuries or death. Prevent child access by always keeping guns locked away and unloaded when not in use. If you keep a loaded firearm where a child obtains and improperly uses it, you may be fined or sent to prison.

CONNECTICUT:

“UNLAWFUL STORAGE OF A LOADED FIREARM MAY RESULT IN IMPRISONMENT OR FINE.”

FLORIDA:

“IT IS UNLAWFUL, AND PUNISHABLE BY IMPRISONMENT AND FINE, FOR ANY ADULT TO STORE OR LEAVE A FIREARM IN ANY PLACE WITHIN THE REACH OR EASY ACCESS OF A MINOR UNDER 18 YEARS OF AGE OR TO KNOWINGLY SELL OR OTHERWISE TRANSFER OWNERSHIP OR POSSESSION OF A FIREARM TO A MINOR OR A PERSON OF UNSOUND MIND.”

MAINE:

“ENDANGERING THE WELFARE OF A CHILD IS A CRIME. IF YOU LEAVE A FIREARM AND AMMUNITION WITHIN EASY ACCESS OF A CHILD, YOU MAY BE SUBJECT TO FINE, IMPRISONMENT OR BOTH. KEEP FIREARMS AND AMMUNITION SEPARATE. KEEP FIREARMS AND AMMUNITION LOCKED UP. USE TRIGGER LOCKS.”

MARYLAND:

“WARNING: CHILDREN CAN OPERATE FIREARMS WHICH MAY CAUSE DEATH OR SERIOUS INJURY. IT IS A CRIME TO STORE OR LEAVE A LOADED FIREARM IN ANY LOCATION WHERE AN INDIVIDUAL KNEW OR SHOULD HAVE KNOWN THAT AN UNSUPERVISED MINOR WOULD GAIN ACCESS TO THE FIREARM. STORE YOUR FIREARM RESPONSIBLY!”

MASSACHUSETTS:

“WARNING FROM THE MASSACHUSETTS ATTORNEY GENERAL: This handgun is not equipped with a device that fully blocks use by unauthorized users. More than 200,000 firearms like this one are stolen from their owners every year in the United States. In addition, there are more than a thousand suicides each year by younger children and teenagers who get access to firearms. Hundreds more die from accidental discharge. It is likely that many more children sustain serious wounds, or inflict such wounds accidentally on others. In order to limit the chance of such misuse, it is imperative that you keep this weapon locked in a secure place and take other steps necessary to limit the possibility of theft or accident. Failure to take reasonable preventive steps may result in innocent lives being lost, and in some circumstances may result in your liability for these deaths.”

“IT IS UNLAWFUL TO STORE OR KEEP A FIREARM, RIFLE, SHOTGUN OR MACHINE GUN IN ANY PLACE UNLESS THAT WEAPON IS EQUIPPED WITH A TAMPER-RESISTANT SAFETY DEVICE OR IS STORED OR KEPT IN A SECURELY LOCKED CONTAINER.”

NEW JERSEY:

“IT IS A CRIMINAL OFFENSE TO LEAVE A LOADED FIREARM WITHIN EASY ACCESS OF A MINOR.”

NEW YORK CITY:

“THE USE OF A LOCKING DEVICE OR SAFETY LOCK IS ONLY ONE ASPECT OF RESPONSIBLE FIREARM STORAGE. FOR INCREASED SAFETY, FIREARMS SHOULD BE STORED UNLOADED AND LOCKED IN A LOCATION THAT IS BOTH SEPARATE FROM THEIR AMMUNITION AND INACCESSIBLE TO CHILDREN AND OTHER UNAUTHORIZED PERSONS.”

NORTH CAROLINA:

“IT IS UNLAWFUL TO STORE OR LEAVE A FIREARM THAT CAN BE DISCHARGED IN A MANNER THAT A REASONABLE PERSON SHOULD KNOW IS ACCESSIBLE TO A MINOR.”

TEXAS:

“IT IS UNLAWFUL TO STORE, TRANSPORT, OR ABANDON AN UNSECURED FIREARM IN A PLACE WHERE CHILDREN ARE LIKELY TO BE AND CAN OBTAIN ACCESS TO THE FIREARM.”

WISCONSIN:

“IF YOU LEAVE A LOADED FIREARM WITHIN THE REACH OF EASY ACCESS OF A CHILD YOU MAY BE FINED OR IMPRISONED OR BOTH IF THE CHILD IMPROPERLY DISCHARGES, POSSESSES, OR EXHIBITS THE FIREARM.”

PLEASE CHECK WITH YOUR FIREARMS RETAILER OR STATE POLICE FOR ADDITIONAL REQUIREMENTS UNDER STATE OR LOCAL LAWS OR REGULATIONS. SUCH LAWS AND REGULATIONS CHANGE CONSTANTLY, AND LOCAL AUTHORITIES ARE IN THE BEST POSITION TO ADVISE ON SUCH CHANGES.

1. YOUR SAFETY RESPONSIBILITIES

SAFETY IS YOUR NUMBER ONE RESPONSIBILITY!!!!

At home, in the field, at the range, or anywhere, the first concern of every firearm owner should be safety. Apply the following safety rules in every situation, with any kind of firearm. If you feel uncertain about any operational aspects of this firearm, please contact Magnum Research Customer Service Department at 508-635-4273, Monday-Friday 8:30-4:30 CST before proceeding with its operation.



WARNING: YOU MUST FOLLOW ALL OF THESE SAFETY RULES TO ENSURE THE SAFE USE OF YOUR FIREARM. THE FAILURE TO FOLLOW THESE BASIC FIREARM SAFETY RULES MAY RESULT IN AN UNINTENDED DISCHARGE WHICH COULD CAUSE SERIOUS PERSONAL INJURY OR DEATH TO YOU OR OTHERS.

- **ALWAYS KEEP YOUR FIREARM POINTED IN A SAFE DIRECTION.** Never point a firearm at anyone or anything you do not intend to shoot, whether or not it is loaded. This is particularly important when loading, unloading, or field stripping the gun. **ALWAYS** control the direction of the firearm.
- **ALWAYS TREAT EVERY FIREARM AS IF IT IS LOADED AND WILL FIRE IF THE TRIGGER IS PULLED.**
Do not take anyone’s word that the firearm is unloaded—always check for yourself. Never pass your firearm to another person until the cylinder or action is open and you visually check that it is unloaded. Keep your firearm unloaded and safely stored when not in use.

● NEVER PLACE YOUR FINGER INSIDE THE TRIGGER GUARD OR ON THE TRIGGER UNLESS YOU INTEND TO FIRE.

Ensure that other objects do not touch the trigger.

● ALWAYS BE SURE OF YOUR TARGET AND WHAT IS BEYOND IT.

Always be sure of where the bullet will strike and shoot only where there is a safe back stop free of obstructions, water or other surfaces which can cause ricochets. Do not fire into the sky.

● NEVER CROSS OBSTACLES SUCH AS FENCES OR STREAMS WITH A LOADED FIREARM.

● SAFE GUN HANDLING IS YOUR PERSONAL RESPONSIBILITY at all times.

Firearms are dangerous and can cause serious injury or death if they are misused or used inappropriately. Safety must be the prime consideration of anyone who owns or handles firearms.

Accidents are the result of violating the rules of safe gun handling and common sense. Firearm safety training is available. Contact your dealer, law enforcement agency, local sportsman's club, etc. for availability.

● YOU ARE RESPONSIBLE FOR THE FIREARM AT ALL TIMES.

In owning a firearm, you must undertake full-time responsibility for your firearm's safety and security. You must protect yourself and all others against injury or death from misuse of the firearm 24 hours a day.

● FIREARM SECURITY IS YOUR RESPONSIBILITY.

You must secure firearms safely from children and/or unauthorized users. Your firearm should always be kept unloaded and locked when not in use. A lock has been provided for this purpose. Never assume that the use of this lock is sufficient to safely secure your firearm. You must always evaluate your personal situation and employ the security system(s) that meet your needs and prevents children and unauthorized users from gaining access to your firearm.

● APPROPRIATE USE FOR YOUR FIREARM MEANS USING YOUR FIREARM FOR LEGAL PURPOSES.

For example - target shooting and lawful resistance of deadly criminal force. It is your responsibility to ensure that you are in compliance with all applicable laws and ordinances regarding the use of your firearm.

● NEVER RELY ON MECHANICAL FEATURES ALONE.

Only your safe gun handling habits will ensure the safe use of your firearm. This is your responsibility.

● ALWAYS SAFELY STORE AND SECURE YOUR FIREARM. Safe and secure storage of your firearm is one of your most important responsibilities. It is a full-time responsibility. You must always secure your firearm and ammunition separately so that they are not accessible to children and/or other unauthorized persons.

● NEVER KEEP AMMUNITION IN THE SAME LOCATION AS THE FIREARM. Store each in a separate and secure place.



WARNING: ALWAYS WEAR EYE AND EAR PROTECTORS THAT ARE SPECIFIED FOR FIREARM USE EVERY TIME YOU DISCHARGE YOUR FIREARM. MAKE SURE OTHERS IN THE VICINITY OF WHERE YOU WILL BE SHOOTING DO SO ALSO.

- NEVER USE ALCOHOL OR DRUGS BEFORE OR WHILE SHOOTING. Do not use your firearm if you are on any medication which impairs, even slightly, your mental or physical ability.
- ALWAYS HAVE ADEQUATE VENTILATION. Discharging firearms in poorly ventilated areas, cleaning firearms, or handling ammunition may result in exposure to lead and other substances known to cause birth defects, reproductive harm, and other serious physical injury. Review the warnings and labels for all ammunition and cleaning products carefully. Wash hands thoroughly after exposure.
- BEFORE HANDLING ANY FIREARM, UNDERSTAND ITS OPERATION. Not all firearms are the same. Familiarize yourself with the mechanical features of any firearm you intend to use. If you feel uncertain about any operational aspects of your firearm, please contact MAGNUM RESEARCH at 508-635-4273 before proceeding with its operation.
- NEVER ALLOW A FIREARM TO BE USED BY INDIVIDUALS WHO DO NOT UNDERSTAND ITS SAFE OPERATION OR HAVE NOT READ THESE FIREARM SAFETY RULES.
- ALWAYS USE THE CORRECT AMMUNITION FOR YOUR PARTICULAR FIREARM as indicated by the marking on the barrel. Never use non-standard, re-loaded, or “handloaded” ammunition which has not been subjected to internal ballistic pressure testing.
- BE SURE ALL ACCESSORIES, SUCH AS HOLSTERS AND GRIPS, ARE COMPATIBLE with the firearm and that the accessories do not interfere with safe operation.
- NEVER DISASSEMBLE YOUR FIREARM beyond the field stripping procedure outlined in this manual. Improper disassembly or reassembly of your firearm may be dangerous and can lead to serious injury or death.
- NEVER MANIPULATE, ADJUST OR CHANGE ANY OF THE INTERNAL COMPONENTS OF YOUR FIREARM including the firing pin, sear, or drawbar. Improper manipulation of any internal component may affect the safety and reliability of your firearm and may cause serious injury or death.
- NEVER ALLOW ANY ALTERATION OR REPLACEMENT OF PARTS IN YOUR MAGNUM RESEARCH FIREARM UNLESS PERFORMED BY A QUALIFIED GUNSMITH using genuine MAGNUM RESEARCH parts. If you do otherwise, improper functioning of your firearm may occur and serious injury or death may result.



WARNING: SAFE USE OF A FIREARM IS YOUR PERSONAL RESPONSIBILITY AND THE FAILURE TO FOLLOW ALL OF THESE BASIC SAFETY RULES MAY RESULT IN SEVERE PERSONAL INJURY OR DEATH TO YOU OR OTHERS. YOU ARE THE MOST IMPORTANT SAFETY DEVICE WHEN IT COMES TO THE USE OF YOUR FIREARM AND MAGNUM RESEARCH WILL NOT BE RESPONSIBLE FOR ANY PERSONAL INJURY, DEATH OR PROPERTY DAMAGE THAT RESULTS FROM:

- (1) THE CRIMINAL OR NEGLIGENT USE OF THIS FIREARM;**
- (2) A DISREGARD OF THESE SAFETY INSTRUCTIONS AND WARNINGS;**
- (3) IMPROPER OR CARELESS HANDLING OF THIS FIREARM;**
- (4) THE USE OF NON-STANDARD, DEFECTIVE, IMPROPER OR RELOADED AMMUNITION; OR**
- (5) IMPROPER OR NEGLIGENT MODIFICATIONS OR REPAIRS TO THE FIREARM.**

1.1 Safe Storage and Transportation



WARNING: FIREARMS ARE DANGEROUS WHEN USED AND STORED IMPROPERLY THEY POSE A RISK OF SERIOUS OR FATAL INJURIES. FIREARMS CAN BE ESPECIALLY DANGEROUS TO CHILDREN WHEN THEY ARE STORED IN AN IRRESPONSIBLE AND UNSAFE MANNER. FOR YOUR SAFETY AND THE SAFETY OF OTHERS, IT IS IMPERATIVE THAT YOU KEEP YOUR FIREARM LOCKED AND UNLOADED IN A SECURE PLACE. THE AMMUNITION SHOULD BE STORED IN A SEPARATE, SECURE LOCATION WHEN IT IS NOT IN USE. SAFE AND SECURE STORAGE OF YOUR FIREARM IS ONE OF THE MOST IMPORTANT RULES OF FIREARM SAFETY. YOUR FAILURE TO FOLLOW THESE RULES MAY RESULT IN SERIOUS INJURY OR DEATH TO YOU OR OTHERS.

- ALWAYS SECURE YOUR FIREARM IN A MANNER THAT WILL PREVENT UNAUTHORIZED ACCESS.

- Whenever your firearm is not in use, keep it unloaded and locked. Your safety and the safety of others requires that you always secure and store your firearm in a manner that will prevent unauthorized access. Never leave a firearm unattended unless it is locked, unloaded, and secured.

- ALWAYS USE THE LOCK PROVIDED BY MAGNUM RESEARCH TO SECURE YOUR FIREARM. Please read and follow the instructions packaged separately for the use of this lock. A lock, when properly used, can be an effective tool in preventing unauthorized access to your firearm. There are other alternative tools and safe storage containers available in the marketplace which may also be appropriate for your particular needs. Consult your local gun shop, hardware store, or local police department for guidance on the variety of other safe storage devices or practices which may be appropriate for your particular needs. By purchasing this firearm you have accepted the responsibility of safely securing the firearm at all times and preventing its unauthorized use. Never assume that the use of this lock alone is sufficient to safely secure your firearm. It is your personal responsibility to select and use whatever measures or practices that will enable you to be absolutely certain that your firearm is secure at all times.



WARNING: NEVER LOCK A LOADED FIREARM AND NEVER LOAD A LOCKED FIREARM!!

- ALWAYS STORE YOUR FIREARM AND AMMUNITION SEPARATELY so that they are not accessible to children or other unauthorized persons. Safe and secure storage of your firearm and ammunition are your responsibility. It is a full-time responsibility.

- NEVER ASSUME THAT A “HIDING” PLACE IS A SECURE STORAGE METHOD. Others may be aware of your storage location or come upon it by chance. It is your personal responsibility to use common sense when storing your firearm and ammunition and to always make sure they are not accessible to children or other unauthorized persons.

- NEVER TRANSPORT A LOADED FIREARM. When transporting your firearm, be sure it is unloaded and locked. Safe and secure transportation of your firearm is your responsibility.

● ALWAYS FOLLOW THE LAW!

Many jurisdictions have laws that make it a crime to keep a firearm unlocked and in an area accessible to children or others. Keeping a firearm locked and unloaded when not in use is not only common sense safety practice... IT IS THE LAW. You must be familiar with all local, state, and federal laws regarding the safe storage and transportation of your firearm. Failure to know and follow the law may result in unauthorized access or use of your firearm by another. Obey all laws relating to the storage and transportation of firearms. Your local police department or gun shop can furnish you with available information on storing and/or transporting a firearm safely and legally.

● YOUR FIREARM IS YOUR RESPONSIBILITY.

You must prevent your firearm from being stolen or from being used by untrained or unqualified individuals. Keep it locked, unloaded and secured when not in use.

2. PRODUCT DESCRIPTION

2.1 Main Features

The MR9 Eagle / MR40 Eagle “Fast Action” is available in 9mm x 19 and .40 S&W cartridges with Traditional Double-Action/Single-Action trigger with Decocker.

2.2 Package Contents

- Pistol in Plastic Case
- Backstraps in size S, M and L
- Instruction Manual
- Trigger Lock
- Spare Magazine
- Allen key
- Front Sights of Different Heights

*Note: Actual package contents may differ from description in Instruction Manual

2.3 Ammunition

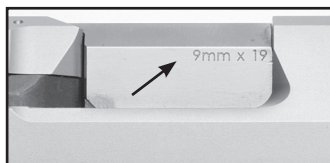


WARNING: NEVER USE AMMUNITION NOT SPECIFICALLY DESIGNATED FOR USE IN YOUR PISTOL. FAILURE TO USE THE SPECIFIC CARTRIDGE INTENDED FOR USE IN THE MR9/MR40 EAGLE “FAST ACTION” PISTOL MAY CAUSE THE PISTOL TO JAM, FAIL TO FIRE OR EVEN GENERATE EXCESSIVE GAS PRESSURE WHICH CAN DAMAGE OR DESTROY THE PISTOL, CAUSE PERSONAL INJURY, DEATH OR PROPERTY DAMAGE.

Locate the caliber designation marked on the pistol. This information indicates the ammunition that must be used in this pistol (see 2.3 Figure 1). You are responsible for selecting ammunition that meets industry standards and is appropriate in type and caliber for this firearm.

Never use a cartridge not specifically designated for use in your firearm. Pressure from the wrong type of ammunition may exceed the capability of your firearm and may damage or even rupture your firearm.

Never mix ammunition.



2.3 Fig. 1

In some cases, a round of ammunition not specified on your firearm may fit into the chamber. Firing ammunition not specified on your firearm may cause it to rupture and cause serious injury or death to you or others.

Always inspect your ammunition before using it. Never use dirty, corroded or damaged ammunition which can lead to a burst cartridge which may cause damage to the firearm and personal injury or death.

Use only commercially manufactured ammunition with internal ballistic pressures which are in strict accordance with the specifications of the Sporting Arms and Ammunition Manufacturers' Institute (SAAMI). If you are uncertain, contact your ammunition supplier for verification.



WARNING: NEVER USE NON-STANDARD, RELOADED OR “HANDLOADED” AMMUNITION WHICH HAS NOT BEEN SUBJECTED TO INTERNAL BALLISTIC PRESSURE TESTING. RELOADED OR HANDLOADED AMMUNITION, MAY HAVE MANY MANUFACTURING AND QUALITY VARIABLES (SUCH AS THE TYPE AND AMOUNT OF GUN POWDER). ANY AMMUNITION THAT IS IMPROPERLY MANUFACTURED, EVEN IN THE SLIGHTEST DEGREE, MAY FAIL TO FIRE OR MAY GENERATE EXCESSIVE INTERNAL PRESSURES WHICH CAN DAMAGE OR EVEN RUPTURE THE FIREARM, CAUSING PERSONAL INJURY OR DEATH TO THE SHOOTER OR THOSE IN THE IMMEDIATE VICINITY.

A firearm and ammunition are a system and must work together. Their performance is closely related. There are different types of ammunition for different types of firearms. Your firearm has been designed for ammunition of a specific type and a specific caliber. It is important to select the proper ammunition for your firearm.

Different combinations of bullet velocity, bullet weight and firearm weight can have major impact on felt recoil; high felt recoil can be uncomfortable to some shooters.

For example:

- Gun Weight: lower gun weight increases felt recoil.
- Bullet Weight: higher bullet weight increases felt recoil.
- Bullet Velocity: higher bullet velocity increases felt recoil.

To acclimate yourself to higher levels of felt recoil, consider the following:

- Use a firm two-hand hold on the grip when firing.
- Always start your shooting experience with the lowest bullet velocity and lowest bullet weight available for your firearm.
- Ask your firearm dealer to suggest the lowest power, lowest velocity, lightest bullet weight for your firearm.
- You can also consider changing your firearm's grip configuration/composition to better fit your hand's specific size and shape.

“Plus-P” (+P) ammunition generates pressures in excess of the pressures associated with standard ammunition. Such pressures may affect the wear characteristics of your MR9 Eagle / MR40 Eagle “Fast Action” Pistol.

“Plus-P-Plus” (+P+) ammunition must not be used in the MR9 Eagle / MR40 Eagle “Fast Action” pistol. This marking on the ammunition designates that it exceeds established industry standards, but the designation does not represent defined pressure limits and therefore such ammunition may vary significantly as to the pressures generated.

Some brands of ammunition may cause difficulty in extracting spent cartridge cases from the chamber. If this situation occurs, thoroughly clean the chamber with solvent. If this condition persists, we recommend changing to another brand of ammunition.

2.4 Functional Elements, Model Number Identification

2.4.1 Loaded Chamber Indicator

The loaded chamber indicator is on the right side of the slide.

The loaded chamber indicator can be observed when the rear of the extractor is recessed, revealing a red colored marking.



WARNING: DO NOT RELY UPON THE LOADED CHAMBER INDICATOR TO VERIFY THE PRESENCE OR ABSENCE OF A ROUND IN THE CHAMBER. ALWAYS CHECK THE CHAMBER OF THE FIREARM BY REMOVING THE MAGAZINE AND LOCKING THE SLIDE IN THE OPEN POSITION.



WARNING: THE AMOUNT OF LIGHT, CLEANLINESS OF THE PISTOL, DISCOLORATION OF THE AMMUNITION AND OTHER FACTORS MAY LIMIT THE EFFECTIVENESS OF THE LOADED CHAMBER INDICATOR. CLEANING SOLVENTS OR WEAR MAY DARKEN OR REMOVE THE RED COLOR, OR POWDER RESIDUE OR DIRT MAY COVER IT UP. IF YOU DO NOT SEE THE RED DOT, DO NOT ASSUME THE CHAMBER IS EMPTY. AFTER FIRST CHECKING THAT THE MAGAZINE HAS BEEN REMOVED, PULL THE SLIDE BACK UNTIL YOU CAN LOOK INTO THE CHAMBER AND VERIFY WHETHER IT IS EMPTY OR NOT.

2.4.2 Striker Status Indicator

The MR9 Eagle / MR40 Eagle “Fast Action” has a cocking indicator on the rear of the slide. The pistol uses an internal striker with a tip that protrudes out of the slide end cap when the striker is cocked.

- In the de-cocked state, the tip can be neither seen nor felt (2.4 Fig. 1).
- The tip protrudes from the rear of the slide when the pistol is cocked (2.4 Fig. 2).



2.4 Fig. 1



2.4 Fig. 2

2.4.3 Magazine Release

The magazine release is positioned on both sides of the trigger guard. The magazine release can be manipulated with either your thumb or opposing index finger.

Grasp the pistol with your finger off the trigger and outside the trigger guard. Depress the magazine release and remove the magazine.

If you find that manipulating the magazine release with your shooting thumb is cumbersome or difficult, try using the index finger of your shooting hand instead.

2.4.4 Slide Stop

Locking the slide in the “open” position:

Grasping the grip of the frame and with your finger off the trigger and outside the trigger guard, depress the magazine release, and completely remove the magazine. Firmly grasp the serrated sides of the slide from the rear with the thumb and fingers. While steadily holding the grip, briskly pull the slide fully rearward to extract any cartridge from the chamber and clear it from the pistol.



2.4 Fig. 3

To lock the slide in the open position, allow the slide to move slightly forward from the rearmost position while pressing upward on the slide stop (2.4 Fig. 3).

Releasing the slide from the slide stop:

Press down on the slide stop with the thumb of your shooting hand to release the slide and allow it to move fully forward.

For easier operation of the slide stop grasp the serrated sides of the slide from the rear and pull the slide to the rear while pressing down on the slide stop to release the slide and allow it to move fully forward.

3. PREPARATION FOR FIRING



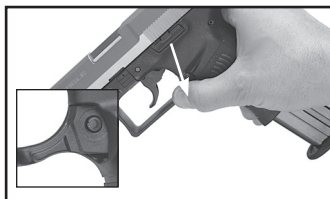
WARNING: THE FAILURE TO FOLLOW THESE FIREARM SAFETY REQUIREMENTS MAY CAUSE SERIOUS PERSONAL INJURY OR DEATH TO YOU OR OTHERS.

- ALWAYS TREAT ALL FIREARMS AS IF THEY ARE LOADED
- ALWAYS BE SURE THAT ALL ACTIONS OF FIREARMS ARE OPEN, THAT CHAMBERS ARE CLEAR OF CARTRIDGES, MAGAZINES ARE REMOVED, AND THAT FIREARMS ARE POINTING IN A SAFE DIRECTION.
- ALWAYS KEEP FINGERS AND OTHER PARTS OF YOUR BODY AWAY FROM THE MUZZLE, AND AWAY FROM THE PISTOL SLIDE AND EJECTION PORT.
- ALWAYS WEAR ADEQUATE AND PROPER EAR PROTECTORS SPECIFIED FOR FIREARM USE to prevent permanent damage to your hearing. Make sure others who are nearby are wearing ear protection as well.
- ALWAYS WEAR SAFETY GLASSES SPECIFIED FOR FIREARM USE, whether indoors or out. Safety glasses should protect your eyes from the firing flash and particles associated with the discharge of ammunition. Failure to do so creates a risk of personal injury from particle or debris spitting or ricochets.
- ALWAYS BE ALERT AND ALWAYS FOLLOW THE SAFETY INSTRUCTIONS OF THE RANGE OFFICER. Never shoot if you are tired, cold or impaired in any way.
- ALWAYS BE AWARE OF OTHER PEOPLE so that persons cannot accidentally walk into the line of fire.

- THE SHOOTER (AND ALL OTHERS IN THE SHOOTING AREA) MUST ALWAYS BE IN A POSITION THAT IS OUT OF THE LINE OF FIRE and not within an area where they may be struck by ricochets, particles spitting from a revolver, or by ejected cases from other types of firearms.
- NEVER SHOOT AT HARD SURFACES, WATER, OR UP INTO THE SKY. Always select a place to shoot that has a safe backstop and is free from obstructions and water surfaces which cause ricochets.
- NEVER USE ALCOHOL OR DRUGS BEFORE OR WHILE SHOOTING.

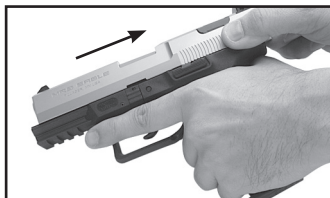
3.1 Inspecting the Pistol

● When you inspect the pistol, you should first check to ensure that it is unloaded. To do this, grasp the grip of the frame with your finger off the trigger and outside the trigger guard, point the muzzle in a safe direction, depress the magazine release and remove the magazine (3.1 Fig. 1).



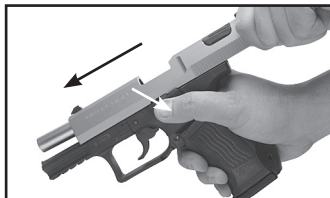
3.1 Fig. 1

● Grasp the serrated sides of the slide from the rear with the thumb and fingers as shown in 3.1 Fig. 2, and briskly draw the slide fully rearward in order to extract any cartridge from the chamber and clear it from the pistol. Do not obstruct the ejection port because doing so can interfere with the proper ejection of a cartridge.



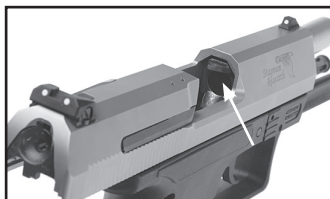
3.1 Fig. 2

● Lock the slide in the open position by allowing the slide to move slightly forward from the rearmost position while pressing upward on the slide stop (3.1 Fig. 3).



3.1 Fig. 3

● Check the chamber to verify that it is unloaded and check the bore visually to see that it is clean, dry, and free from any obstructions (3.1 Fig. 4).



3.1 Fig. 4

You must follow this procedure every time the MR9 Eagle / MR40 Eagle “Fast Action” leaves your hand, is cleaned, handed to you or another person, transported or stored.



WARNING: NEVER RELY ON MECHANICAL FEATURES ALONE. PROPER HANDLING OF THE PISTOL WILL ENSURE THE SAFETY OF YOUR FIREARM. FIREARM SAFETY IS ALWAYS YOUR RESPONSIBILITY.

3.2 Loading

- Do not load the pistol until you have read and fully understand this manual.
- Do not load the pistol until you are ready to use it. Keep your finger off the trigger and outside the trigger guard until you are ready to fire.
- Never load your pistol until you are sure of your target, what is beyond it and are fully prepared to fire.
- MAGNUM RESEARCH has provided you with a magazine designed to operate in your specific model of pistol. While your magazine may be able to be inserted into another model pistol, it will only function properly in the specific model for which it was designed.
- Do not interchange magazines from one model pistol to another model pistol.
- Follow instructions in this manual and any other specific instruction which may be marked onto, or accompany, a magazine. Failure to use the particular type of MAGNUM RESEARCH magazine specified for your model and caliber of pistol may result in a malfunction.

3.2.1 Magazine

When the magazine is removed from the pistol, the number of rounds can be seen in the witness holes.

3.2.2 Loading the magazine



Do not attempt to load the magazine with more than the specified number of cartridges because doing so may cause a failure to feed a round of ammunition into the chamber. Do not use excessive force when loading the magazine, as this may damage the magazine. Damaged or defective magazines cause malfunctions and may cause improper functioning of the pistol.

Load the magazine by pressing a cartridge base (rear of cartridge) downward on the forward portion of the magazine follower (or downward on the case of a previously loaded cartridge) and sliding the cartridge fully under the lips of the magazine until the cartridge base is against the rear wall of the magazine. Repeat the procedure for the number of cartridges you wish to load, up to the magazine capacity.

3.2.3 Loading the pistol

- Inspect the pistol as shown in section 3.1
- Grasp the pistol with your finger off the trigger and outside the trigger guard, point the muzzle in a safe direction. Insert the loaded magazine into the pistol until it is locked in place. To make sure that the magazine is fully and securely inserted, try pulling down on the exposed portion of the magazine floorplate. It should not move.



WARNING: DO NOT USE EXCESSIVE UPWARD FORCE WHEN INSERTING A LOADED MAGAZINE INTO THE PISTOL. EXCESSIVE UPWARD FORCE COULD CAUSE THE SLIDE TO MOVE FORWARD, CHAMBERING A ROUND AND MAKING THE PISTOL READY TO FIRE.

- Pull the slide fully to the rear and let go allowing it to move fully forward.



WARNING: IF THE CARTRIDGE FAILS TO STRIP FROM THE MAGAZINE OR FULLY SEAT INTO THE CHAMBER, IMMEDIATELY STOP THE LOADING PROCESS. REMOVE THE MAGAZINE, LOCK THE SLIDE OPEN AND VERIFY THAT THE CHAMBER IS EMPTY. REFER TO THE “INSPECTING THE PISTOL” SECTION OF THIS MANUAL.

- After the slide is closed, press down the decocker. Doing so resets the trigger action from Single Action to Double Action mode.



WARNING: ALWAYS LOAD A ROUND INTO THE CHAMBER BY FEEDING IT FROM THE MAGAZINE. NEVER ATTEMPT TO LOAD THE PISTOL BY INSERTING A ROUND INTO THE CHAMBER VIA THE OPEN EJECTION PORT. FAILURE TO FOLLOW THIS WARNING MAY RESULT IN SEVERE INJURY OR DEATH TO YOU OR OTHERS.



CAUTION: THE PISTOL IS NOW LOADED AND READY TO FIRE. THE PISTOL AND ITS MAGAZINE ARE NOW LOADED AND WILL FIRE WHEN THE TRIGGER IS SQUEEZED. REMEMBER TO KEEP THE MUZZLE POINTED IN A SAFE DIRECTION UNDER ALL CONDITIONS AND ALWAYS KEEP YOUR FINGER OR ANY OTHER OBJECT OFF THE TRIGGER AND OUTSIDE THE TRIGGER GUARD UNTIL YOU DECIDE TO FIRE THE PISTOL. NEVER LEAVE A LOADED FIREARM UNATTENDED OR OUT OF YOUR DIRECT CONTROL.

- If you wish to restore the magazine in your pistol to its full capacity, depress the magazine release and remove the magazine from the pistol. Remember that there is a round in the chamber; therefore, the pistol should be holstered or safely secured during this process without touching the trigger. Load one cartridge into the magazine to replace the one which was chambered when you allowed the slide to carry forward.

- Re-insert the loaded magazine into the pistol until it is locked in place. To make sure that the magazine is again fully and securely inserted, apply some removal pressure to the exposed portion of the magazine butt plate.

- Your pistol and its magazine are now fully loaded and will fire when the trigger is pulled. Remember to keep your pistol pointed in a safe direction under all conditions and always keep your finger or any other object off the trigger and outside the trigger guard until you have made the commitment to fire the pistol. Never leave a loaded firearm out of your direct control.



WARNING: AFTER INSERTING A MAGAZINE, ALWAYS TEST TO MAKE SURE IT IS LOCKED IN PLACE BY APPLYING SOME REMOVAL PRESSURE TO THE EXPOSED PORTION OF THE BUTT PLATE.



WARNING: THE MR9 Eagle / MR40 Eagle “FAST ACTION” IS NOT EQUIPPED WITH A MAGAZINE DISCONNECT FEATURE. THE MR9 Eagle / MR40 Eagle “FAST ACTION” WILL FIRE WITH THE MAGAZINE REMOVED FROM THE PISTOL.

3.3 Decocker

The decocker offers a safe way of de-cocking the MR9 Eagle / MR40 Eagle “Fast Action.” The decocker is routinely used to de-cock the striker. De-cock the MR9 Eagle / MR40 Eagle “Fast Action” after loading, before holstering and prior to disassembly. Press the decocker downwards into the slide until the striker is audibly and visually de-cocked (3.3 Fig. 1). If you find that it is difficult or cumbersome to manipulate the decocker using your shooting hand’s thumb, or if you are left-handed, you should use the thumb of your non-shooting hand to do so.



3.3 Fig. 1



Always point the pistol in a safe direction during de-cocking.



Always de-cock the MR9 Eagle / MR40 Eagle “Fast Action” before holstering. The de-cocked pistol remains ready for service using the Double Action trigger.



WARNING: PULLING THE SLIDE REARWARD WILL COCK THE STRIKER AGAIN.

3.4 Firing the MR9 Eagle/MR40 Eagle “Fast Action”

3.4.1 Firing, General



WARNING: ALWAYS KEEP THE MUZZLE POINTED IN A SAFE DIRECTION



WARNING: WEAR EYE AND EAR PROTECTION SPECIFIED FOR FIREARM USE EVERY TIME YOU DISCHARGE YOUR FIREARM. MAKE SURE OTHERS IN THE VICINITY OF WHERE YOU WILL BE SHOOTING DO SO AS WELL.



WARNING: “STAGING” THE TRIGGER VIOLATES A BASIC RULE OF FIREARM SAFETY WHICH WARNS YOU TO KEEP YOUR FINGER OUT OF THE TRIGGER GUARD UNTIL YOU HAVE MADE THE COMMITMENT TO FIRE. “STAGING” CREATES A SERIOUS RISK OF PERSONAL INJURY OR DEATH SINCE IT MAY LEAD TO AN UNINTENTIONAL DISCHARGE.

● It has come to our attention that some users of MAGNUM RESEARCH firearms may stage the trigger in anticipation of firing a shot. Staging is the act of pulling the trigger rearward toward—stopping just short of—the point where the firearm fired. Such manipulation of the trigger can reduce the user’s control of the firearm and can result in an unintentional discharge. Furthermore if the user decides not to fire, release of the trigger from a position close to the firing point in the staging process could result in an unintentional discharge.

● How a firearm is gripped affects recoil and trigger control. Always ensure that you maintain a firm grip and proper alignment of the firearm. The design of the MR9 Eagle / MR40 Eagle “Fast Action” frame offers a high degree of control permitting the shooter to obtain an elevated grip closer to the pistol’s bore axis.

● Keep the muzzle pointed in a safe direction and your finger outside the trigger guard until you are ready to fire.

- With a firm grip, allow your finger to be placed squarely across the face of the trigger. Squeeze the trigger fully to the rear.

As the trigger is drawn fully to the rear, the striker is released, striking the cartridge primer. Upon firing, the slide moves rearward thereby extracting and ejecting the spent cartridge case. The slide then returns forward feeding the next cartridge from the magazine into the chamber.

- After firing, you must allow the trigger to move fully forward before you can fire the next shot. Failure to do so will prevent the lockwork from fully cycling and will prevent you from being able to fire the next shot. Keep your finger off the trigger and outside the trigger guard until you are ready to fire again. This sequence can be repeated until the last round has been fired.

- Once the last round has been fired, the magazine follower exerts upward pressure on the slide stop causing it to engage the slide and to hold it in the “open” position.



WARNING: AFTER INSERTING A MAGAZINE, ALWAYS TEST TO MAKE SURE IT IS LOCKED IN PLACE BY APPLYING SOME REMOVAL PRESSURE TO THE EXPOSED PORTION OF THE BUTT PLATE.



WARNING: UPON FIRING THE PISTOL OR RELEASING THE SLIDE FROM THE SLIDE STOP, THE SLIDE MOVES REARWARD OR FORWARD WITH SIGNIFICANT FORCE AND SPEED. TO AVOID INJURY, BE SURE NO PART OF YOUR BODY IS IN THE PATH OF THE SLIDE'S TRAVEL.

3.4.2 Firing the MR9 Eagle/MR40 Eagle “Fast Action”

With the striker de-cocked, the first round will be fired in Double Action mode and subsequent shots will be fired in Single Action mode until you de-cock the MR9 Eagle / MR40 Eagle “Fast Action” again.

3.4.2.1 MR9 Eagle/MR40 Eagle “Fast Action”, Double Action Trigger

- Load the pistol and de-cock it. Keep the muzzle pointed in a safe direction. Keep your finger off the trigger and outside the trigger guard until you are ready to fire.



CAUTION: The striker will re-cock if the slide is moved to the rear by about .4” (10mm). The trigger will remain in its forward-most position (see Fast Action Trigger on next page).

- While holding the grip firmly, squeeze the trigger fully to the rear to fire.

- Keep your finger off the trigger and outside the trigger guard until you are ready to fire again.

The subsequent shots will be fired with traditional Single Action trigger until the MR9 Eagle / MR40 Eagle “Fast Action” Pistol is reset to Double Action by pressing the decocker.

3.4.2.2 MR9 Eagle/MR40 Eagle “Fast Action”, Single Action Trigger

Traditional Single Action Trigger

After firing the first round all subsequent rounds will be fired with a traditional Single Action trigger, until the pistol is reset to Double Action by pressing the decocker.

Fast Action Trigger

It is called “Fast Action” because the trigger pull of the MR9 Eagle / MR40 Eagle “Fast Action” is the same length for the first shot, regardless of whether it is double-action or single-action. The Fast Action trigger functions as a sort of two-stage trigger, and lessens the possibility of a stress-induced unintentional discharge.

a) Shifting to Fast Action trigger mode by manually reloading:

The Fast Action mode is activated each time the pistol is reloaded manually while the finger is off the trigger.

b) Shifting to Fast Action trigger mode by manually cocking:

The Fast Action mode is also activated each time the pistol is cocked manually while the finger is off the trigger: Hold the de-cocked pistol with your finger off the trigger and outside the trigger guard, point the muzzle in a safe direction. Pull back the slide by about .4” (10 mm) and then move it back to its forward position. This puts the pistol in Fast Action mode (trigger in the forward-most position and the striker cocked).

If the slide gets pulled to the rear more than .8” (20mm), a cartridge in the chamber is ejected.

To fire a shot after such manual cocking, squeeze the trigger. When the trigger is released, subsequent rounds will also be fired using the traditional Single Action trigger with a shorter trigger pull, until the MR9 Eagle / MR40 Eagle “Fast Action” pistol gets reset to Double Action by pressing the decocker.

3.5 Exchanging empty Magazines

Once the last round has been fired, the magazine follower exerts upward pressure on the slide stop causing it to engage the slide stop notch thereby holding it in the “open” position.

- Depress the magazine release and remove the magazine.
- To continue shooting, insert another loaded magazine.
- Pull the slide fully to the rear, let it go and allow it to run fully forward.



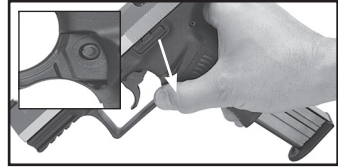
WARNING: THE PISTOL IS READY TO FIRE. WITH THE MUZZLE STILL POINTING IN A SAFE DIRECTION, KEEP YOUR FINGER OFF THE TRIGGER AND OUTSIDE THE TRIGGER GUARD UNTIL READY TO FIRE.

3.6 Unloading the Pistol



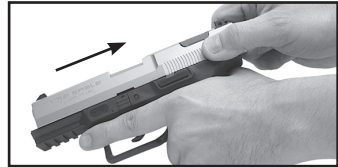
WARNING: THE MR9 / MR40 EAGLE “FAST ACTION” PISTOL IS NOT EQUIPPED WITH A MAGAZINE DISCONNECT FEATURE. THE MR9 EAGLE / MR40 EAGLE “FAST ACTION” PISTOL WILL FIRE WITH THE MAGAZINE REMOVED FROM THE PISTOL.

- Point the muzzle in a safe direction. Make sure your finger is off the trigger and out of the trigger guard. Depress the magazine release and remove the magazine (3.6 Fig. 1)



3.6 Fig. 1

- Keep the muzzle still pointed in a safe direction, and keep your finger off the trigger and outside the trigger guard. Grasp the serrated sides of the slide from the rear with the thumb and fingers (3.6 Fig. 2), and briskly draw the slide fully rearward in order to extract any cartridge from the chamber and clear it from the pistol. Do not obstruct the ejection port because doing so can interfere with proper ejection of a cartridge.



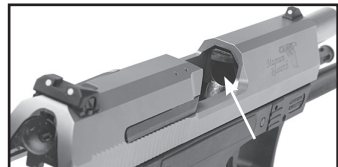
3.6 Fig. 2

- Lock the slide in the open position by allowing the slide to move slightly forward from the rearmost position while pressing upward on the slide stop (3.6 Fig. 3).



3.6 Fig. 3

- Visually check the barrel chamber to be sure it is empty (3.6 Fig. 4). Look into the chamber and down through the magazine well. Verify that no ammunition remains 3.6 Fig. 3 in the pistol.



3.6 Fig. 4

- Unload the magazine by holding it with the bullet end of the cartridge pointing away from you and pressing each cartridge forward and out of the magazine.



Any time you release the slide while a magazine containing cartridges is in the pistol, you will have chambered a new round in the pistol. The pistol will be ready to fire.

3.7 Clearing Misfires



WARNING: IF YOUR FIREARM GIVES ANY INDICATION THAT IT IS NOT PERFORMING PROPERLY OR THAT OPERATION OF YOUR FIREARM HAS CHANGED “THE WAY IT FEELS OR SOUNDS”, STOP FIRING. MAKE SURE THE FIREARM IS POINTED IN A SAFE DIRECTION, UNLOAD THE FIREARM AND HAVE IT INSPECTED AND TEST-FIRED BY A GUNSMITH QUALIFIED TO PERFORM SERVICE ON MAGNUM RESEARCH FIREARMS.

- If a cartridge fails to fire, wait sixty seconds while keeping the muzzle pointed in a safe direction.
- Keep your finger off the trigger and out of the trigger guard.
- Remove the magazine.
- Grasp the serrated sides of the slide from the rear and briskly pull the slide fully rearward to eject the misfired round. Do not obstruct the ejection port, and do not attempt to catch the round by placing your hand over the ejection port. Also remember that any time you release the slide while a magazine containing cartridges is in the pistol, you will have reloaded the chamber.
- In order to lock the slide in the open position, allow the slide to move slightly forward from the rearmost position while pressing upward on the slide stop.
- Check the barrel chamber and bore visually for any obstructions. You must be certain there are no cartridges in the chamber or obstructions in the barrel. If there are any obstructions in the bore of the barrel have the pistol further examined and repaired by a qualified gunsmith before using again.

4. FIELD-STRIPPING, CLEANING, LUBRICATION, AND MAINTENANCE



WARNING: ALWAYS KEEP THE BARREL POINTED IN A SAFE DIRECTION.



WARNING: ALWAYS FOLLOW THE FIELD STRIPPING INSTRUCTIONS EXACTLY. NEVER DO ANYTHING BEYOND WHAT YOU ARE SPECIFICALLY INSTRUCTED TO DO IN THIS MANUAL. NEVER ALTER OR MODIFY THE PARTS IN YOUR PISTOL.



WARNING: WEAR SAFETY GLASSES EVERY TIME YOU ASSEMBLE OR DISASSEMBLE YOUR FIREARM.



WARNING: DO NOT ALTER, MODIFY OR REPLACE ANY OF THE PARTS OF YOUR FIREARM UNLESS THIS WORK IS PERFORMED BY A QUALIFIED GUNSMITH USING GENUINE MAGNUM RESEARCH PARTS. IF YOU DO OTHERWISE, IMPROPER FUNCTIONING MAY OCCUR AND SERIOUS INJURY MAY RESULT.



WARNING: NEVER DISASSEMBLE YOUR FIREARM BEYOND THE FIELD STRIPPING PROCESS OUTLINED IN THIS MANUAL. NEVER MANIPULATE ANY INTERNAL COMPONENTS BEYOND WHAT YOU ARE SPECIFICALLY INSTRUCTED TO DO IN THIS MANUAL SINCE THIS MAY AFFECT THE RELIABILITY, FUNCTIONING AND SAFETY OF YOUR FIREARM.

4.1 Main Components

4.1.1 Field-Stripping Disassembly

- Remove the magazine and unload the pistol. Lock the slide in the open position. Look into the chamber and down through the magazine well. Verify that no ammunition remains in the pistol.
- Close the slide: Pull the slide slightly to the rear. Slowly release the slide, allowing it to return to forward position.

● The MR9 Eagle / MR40 Eagle “Fast Action” can be field-stripped only after de-cocking: Press the Decocker downwards into the slide until the striker is audibly de-cocked.



4.1 Fig. 1



Always point the muzzle in a safe direction during de-cocking.



WARNING: PULLING THE SLIDE REARWARD WILL COCK THE STRIKER AGAIN.

● Grip the take down catch from above on both sides and press downwards (4.1 Fig. 1).



4.1 Fig. 2

● Move the slide forward, and remove it from the frame (4.1 Fig. 2).

● Remove the recoil guide rod assembly from below the barrel while taking up the spring pressure (4.1 Fig. 3).



4.1 Fig. 3

● Remove the barrel from the slide.

● The main components of the pistol are shown in 4.1 Fig. 4.



4.1 Fig. 4

4.1.2 Field-Stripping Reassembly



WARNING: ALWAYS FOLLOW THE FIELD STRIPPING INSTRUCTIONS EXACTLY. NEVER DO ANYTHING BEYOND WHAT YOU ARE SPECIFICALLY INSTRUCTED TO DO IN THIS MANUAL. NEVER ALTER OR MODIFY THE PARTS IN YOUR PISTOL.



WARNING: WEAR SAFETY GLASSES EVERY TIME YOU ASSEMBLE OR DISASSEMBLE YOUR FIREARM.

● Hold the slide upside-down. Place the barrel inside the slide with the locking lugs oriented as shown in 4.1 Fig. 5.



4.1 Fig. 5

● Insert the recoil guide rod assembly:
- MR9 Eagle / MR40 Eagle “Fast Action”
Place the smaller (black) end of the recoil rod into the spring mounting at the front of the slide, and then insert the large polymer end of the recoil spring into the lower barrel recess, while taking up the spring pressure (4.1 Fig. 5 and 6).



4.1 Fig. 6

Note: It is normal for the recoil guide rod assembly to flex when it is installed.

● Push the slide from the front into the slide guides of the frame (4.1 Fig. 7), far enough for the take down catch to engage, making sure that the slide also engages the rear slide guides of the frame. Release the slide and allow it to move fully forward into the locked position.



4.1 Fig. 7

● De-cock the striker by pressing the decocker all the way down.

Note: It is normal for the recoil guide rod to slightly protrude from the Full Size 9 mm slide.

4.2 Magazine



WARNING: WEAR SAFETY GLASSES EVERY TIME YOU ASSEMBLE OR DISASSEMBLE YOUR MAGAZINE.

4.2.1 Disassembly

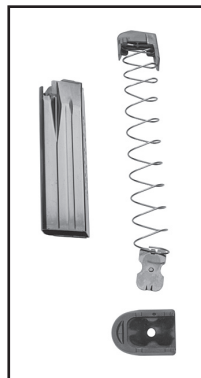


WARNING: THE MAGAZINE SPRING IS UNDER PRESSURE. USE CAUTION WHEN STRIPPING DOWN THE MAGAZINE. CONTROL THE FLOORPLATE CATCH AND THE MAGAZINE SPRING WHILE YOU REMOVE THE FLOORPLATE SO THAT THEY DO NOT FLY OUT AND CAUSE INJURY.

1. Using a .15" (4 mm) punch, depress the floorplate catch through the hole in the floorplate.
2. Slide the floorplate forward off of the magazine tube while continuing to depress the floorplate catch in the tube.
3. Remove the floorplate catch and spring carefully from the magazine tube through the bottom of the tube.
4. Turn the tube right side up and remove the follower through the bottom of the tube.

4.2.2 Assembly

1. Install the follower and magazine spring plus floorplate catch in reverse order back into the tube in exactly the same orientation as they were in when they were first removed during disassembly (4.2 Fig. 1). Never use excessive force when assembling the magazine.
2. While holding the floorplate catch in the tube, slide the floorplate onto the tube so that the round projection of the floorplate catch engages the hole in the floorplate. There will be an audible "snap" heard.



4.2 Fig. 1

4.3 Cleaning the Pistol

Your firearm is a precision instrument. To ensure the reliable function of the pistol, it is necessary to establish routine maintenance procedures.



WARNING: CHECK THAT THE PISTOL IS UNLOADED (MAGAZINE REMOVED FROM PISTOL AND CHAMBER CLEAR). ALSO ENSURE THAT THE MAGAZINE IS UNLOADED.

After each use of the pistol or after being subjected to extreme weather conditions, the pistol should be cleaned and lubricated. Also, before using the pistol for the first time, it should be examined and cleaned. The pistol has been treated with either a preservative or oil to protect it against corrosion. Before using it, all excess oil should be wiped from the bore, chamber, and exposed areas using a clean swab or patch.

Field-strip the pistol as previously described. Starting with the barrel and from chamber end, insert a brush through the bore of the barrel until the bristles completely exit at muzzle end. Pull the brush back until the bristles completely exit at chamber end. Use a good powder-removing solvent and brass bristle bore brush to remove lead and firing residue from the interior of the barrel. Wipe the areas clean with patches or a swab.

Using a small brush dipped in solvent, remove all deposits from around the breech face, chamber end of the barrel, extractor and adjacent areas which have been exposed to powder or primer residue. Remove any residue on the frame with light brushing and a solvent. After cleaning, apply a light film of high quality gun lubricant to all external metal surfaces and wipe clean.



WARNING: NEVER MANIPULATE, ADJUST OR CHANGE ANY OF THE INTERNAL COMPONENTS OF YOUR FIREARM UNLESS SPECIFICALLY DIRECTED TO DO SO IN THIS MANUAL. IMPROPER MANIPULATION OF ANY INTERNAL COMPONENT MAY AFFECT THE SAFETY AND RELIABILITY OF YOUR FIREARM AND MAY CAUSE SERIOUS INJURY OR DEATH.



WARNING: ANY MAINTENANCE OR SERVICE NOT SPECIFIED IN THIS MANUAL MUST BE PERFORMED BY A QUALIFIED GUNSMITH USING GENUINE MAGNUM RESEARCH PARTS. IF YOU DO OTHERWISE, IMPROPER FUNCTIONING OF YOUR FIREARM MAY OCCUR AND SERIOUS INJURY OR DEATH MAY RESULT.

If the pistol will be used or stored in a cold climate, be sure to use appropriate lubricant that will not congeal at low temperatures.



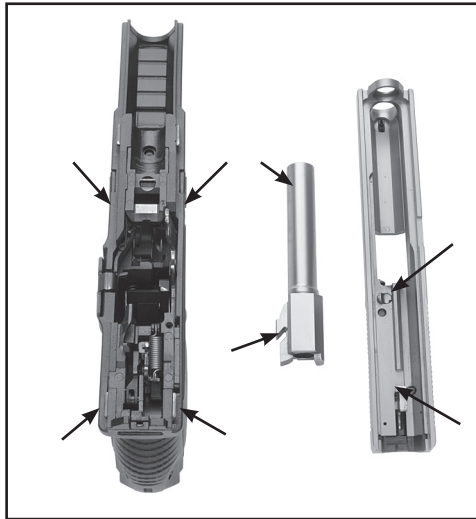
CAUTION: Always follow the instructions provided with the gun cleaner and gun lubricant. Some cleaners can cause damage to the pistol. You should avoid prolonged solvent immersion and prolonged ultrasonic cleaning of the pistol (maximum temperature for ultrasonic cleaning: 122°F (50°C)). Choice of solvent should be restricted to those products specifically developed for firearms maintenance. Damage to a firearm's finish may occur if these warnings are ignored. Ammonia based solvents or other strong alkaline solvents, should not be used on any MAGNUM RESEARCH firearm.

4.4 Lubrication

After cleaning the entire pistol, use a cloth to apply a light film of high quality gun rust preventing oil to all external metal surfaces and wipe clean.

Do not over-lubricate the pistol to the extent where lubricant will be dripping or running down the firearm. Excess lubricant can attract dirt, unburned powder and carbon residue, which can interfere with proper functioning of the pistol.

- **Barrel:** Use a cloth to apply a light film of high quality gun lubricant to all external surfaces and the ramp where the locking block cams the barrel.
- **Frame:** A light coat of high quality gun lubricant should be applied to the mechanism. Put only one drop of lubricant on the slide guides, and on the trigger bar.
- **Slide:** Put only one drop of lubricant on the striker and on the safety plunger.
- **Magazine:** Apply a light film of high quality gun lubricant to all external metal surfaces.



4.4 Fig. 1: Lubrication Points

4.5 Maintenance before Storing

ObeY all laws and regulations relating to the storage of firearms. You must familiarize yourself with all local, state, and federal laws regarding the safe storage of firearms and ammunition. When storing the pistol, do not encase the firearm in anything that will attract or hold moisture, such as leather or heavy cloth.

If the firearm is to be stored for an extended period, the bore, chamber and internal working mechanism should be lubricated with a high quality lubricant or preservative intended for firearms.

The external working mechanisms, slide, barrel, and magazine should be coated with rust preventing lubrication. Before using the pistol again, be sure to clean it. Every time you clean the firearm, check it for signs of wear. If wear is noted, do not use the firearm. Return it to MAGNUM RESEARCH for service or have it checked by a qualified gunsmith.

5. ADJUSTING THE PISTOL TO ITS USER



WARNING: MAKE SURE THE PISTOL IS UNLOADED BEFORE ADJUSTING.

5.1 Grip

If the grip of the pistol does not fit your hand comfortably, the backstrap can be replaced with another size to better suit your hand.

To do so, push the pin in the bottom part of the backstrap out using a 4 mm punch (5.1 Fig. 1), exchange the backstrap for one with a better fit and replace the pin. The MR9 Eagle / MR40 Eagle “Fast Action” Pistol backstraps are offered in size Small, Medium, or Large.



5.1 Fig. 1

5.2 Sights

The front and rear sight are replaceable. The point of impact is adjustable for windage and elevation. You can choose from polymer sights and steel sights and different contrast markings. The MR9 Eagle / MR40 Eagle “Fast Action” comes equipped with polymer sights.

WINDAGE

Polymer Rear Sight:

If shots group to the right, turn the rear sight windage screw clockwise, if they group to the left, turn the windage screw counter clockwise.

Adjustment by one click moves the impact point approximately .7” (2 cm) at a distance of 25 yards (25 m).

Replacing the polymer rear sight:



WARNING: WHILE YOU REMOVE THE REAR SIGHT, BE SURE TO CONTROL THE REAR SIGHT PLUNGER SO THAT IT DOES NOT FLY OUT.

Field-Strip the pistol as described in section 4.1. Push down the rear sight plunger and remove the rear sight to the left. If the rear sight is moved to the right, the plunger can become lodged inside the rear sight. To rectify this, remove the rear sight windage screw. Note that the rear sight windage screw is reverse threaded.

Install in reverse order.



CAUTION: Slide on polymer rear sight from left to right when installing it.

ELEVATION

Elevation adjustments are made by using front sights of varying height. Steel Front Sights of varying height are an accessory item and must only be used with combat steel rear sights.

If the shots group low, use a lower front sight. For high grouping, use a higher one. The front sights are numbered. The higher the number, the higher the front sight. Each stage results in a correction of the impact by about 2" (5 cm) over a 25 yards (25 m) distance from target.

To change the front sight, field-strip the pistol as described in section 4.1.

Polymer Front Sight:

Unscrew the front sight screw with the 1.3 mm Allen wrench from the bottom of the front sight. Push the front sight out of the slide.

Assembly is in reverse order. Screw in the front sight screw until it is flush with the base of the front sight.

6. ACCESSORIES

Accessories for your MR9 Eagle / MR40 Eagle "Fast Action" Pistol are available from your local MAGNUM RESEARCH Stocking Dealer, or directly from MAGNUM RESEARCH. Contact the Customer Service Department at 508-635-4273 or www.magnumresearch.com for information about these services.

7. CONTACT & SHIPPING

For Owners within the United States: MAGNUM RESEARCH, INC.®

12602 33rd Avenue SW, Pillager, MN 56473

Customer Service Department Phone: 508-635-4273

Fax: 218-746-3097

E-mail: info@magnumresearch.com

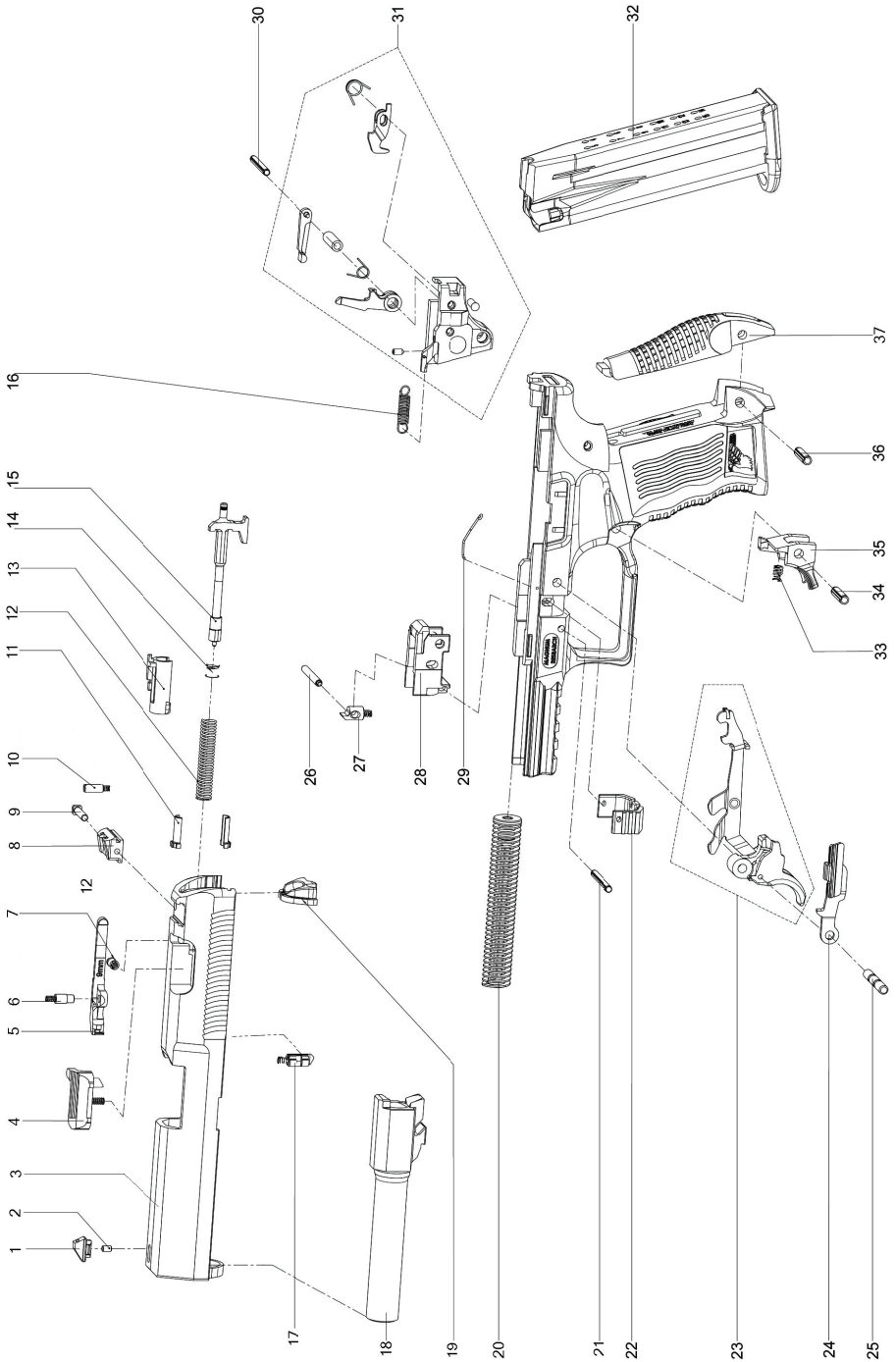
- Call or e-mail the Customer Service Dept. for authorization and shipping instructions.
- Ensure that the pistol is unloaded.
- DO NOT SHIP ANY AMMUNITION.
- Enclose a letter which includes your full name and address (no P.O. Boxes, please), daytime telephone number, e-mail address, the serial number of the pistol, and details of the problem experienced (stating the brand and type of ammunition used when the problem occurred) or work desired.
- Record the serial number before shipping, in case you wish to check on the repair status of your pistol.
- Please remove all custom parts and accessories, such as stocks, special sights, or holsters from your pistol before returning.
- Place the pistol in its original case or in a similarly secure container and pack securely.

- When returning a pistol, please include all magazines ensuring they are unloaded; they are important to the proper function of the pistol.
- The package must NOT bear any markings which indicate the identity of the contents.
- It is most important that you comply with federal, state, and local laws and regulations. The following guidelines are meant to help, but you must seek assistance from the appropriate authorities if necessary.
- Do not attempt to ship a firearm via US Postal Service; only federally licensed dealers may ship a firearm by US Postal Service.
- If your pistol must be replaced, it may be necessary to ship the replacement to a dealer rather than directly to you. You will be requested to furnish a signed FFL (Federal Firearms License) from your dealer in such an instance.
- Warranty repair work will begin upon receipt and examination of the pistol. In the case of repairs or work not covered by the warranty, a quotation covering the cost of the work plus round trip transportation charges will be sent to you. Repairs or modification will begin upon receipt of payment.



WARNING: YOU MAY PURCHASE ACCESSORIES FOR YOUR MAGNUM RESEARCH PISTOL. YOU MUST HAVE SOME OF THESE PARTS INSTALLED BY A GUNSMITH QUALIFIED TO PERFORM SERVICE ON MAGNUM RESEARCH PISTOLS. YOU MUST NEVER ATTEMPT TO MODIFY YOUR FIREARM OR INSTALL REPLACEMENT PARTS IN YOUR PISTOL. ALWAYS USE A QUALIFIED MAGNUM RESEARCH GUNSMITH EVEN IF THE REPAIR SEEMS TO BE SIMPLE.

8. EXPLODED VIEW



8.1 PARTS LIST

1. Front sight	* 17. Striker safety	33. Magazine release spring
2. Front sight retaining screw	* 18. Barrel	34. Magazine release pivot pin
* 3. Slide	19. Striker assembly retaining plate	35. Ambidextrous magazine release
4. Decocker	20. Recoil spring and guide assembly	36. Backstrap retaining pin
5. Extractor	21. Barrel cam insert retaining pin	37. Backstrap
6. Extractor pin assembly	22. Takedown catch finger piece	
7. Extractor spring	* 23. Trigger assembly	
8. Rear sight	24. Slide catch	
9. Sight adjustment screw	25. Slide catch/trigger pivot pin	
10. Sight detent assembly	26. Takedown catch pin	
11. Striker spring retainer (2 pcs.)	27. Takedown catch assembly	
12. Striker spring	28. Barrel cam insert	
13. Striker collet	* 29. Slide catch spring	
14. Striker return spring	30. Fire control assembly pin	
* 15. Striker	31. Fire control assembly	
16. Trigger spring	* 32. Magazine assembly	* Frame Assembly

9. MR9 EAGLE / MR40 EAGLE “FAST ACTION” SPECIFICATIONS

	9 mm	40 S&W
Weight:	(Empty w/ no magazine) 24.8 oz, Magazine 2.82 oz	(Empty w/ no magazine) 26.4 oz, Magazine 2.82 oz
Frame:	Polymer	Polymer
Barrel Length:	4.0”	4.15”
Twist Rate:	1 in 10” RH Twist	1 in 16” RH Twist
Overall Length:	7.13”	7.28”
Action:	Double Action/Single Action with a decocker safety button	
Safeties:	<ol style="list-style-type: none"> 1. Manual Decocker/Striker Block 2. Safety Decocker Button 3. Internal Striker Drop Plunger 4. Internal Trigger Safety 	
Sights:	Rear: Adjustable for windage, Front: Replaceable height blades	
Trigger Pull and Travel - Double Action:	8.5 pounds and .31” travel	
Magazine:	15 round	11 round

LIMITED ONE-YEAR WARRANTY

Magnum Research, Inc.® firearms are warranted to be free from defects in material and workmanship. Any such defect of which Magnum Research, Inc.® is given written notice as provided below within one year and ten days from the date of first purchase by customer will be remedied by Magnum Research, Inc.® without notice.

This warranty is granted by Magnum Research, Inc.® (corporate office) P.O. Box 220, Blauvelt, NY 10913 to the original purchaser of a new Magnum Research firearm.

Warranty claims (in writing) and the firearm concerned should be directed (freight prepaid), to the Warranty Service Department, Magnum Research, Inc.®, 12602 33rd Avenue SW, Pillager, MN 56473.

Warranty claim letters should state the model and serial number of the gun concerned, a description of the difficulty experienced, the date of purchase, your name, billing address, a daytime phone number, and email address. Remember to ship to Magnum Research, Inc.® freight prepaid. It is recommended to please use a delivery service able to track and/or insure your return item since Magnum Research, Inc.® will accept no responsibility for loss or damage in transit.

Transportation and insurance charges for return to the owner will be paid by Magnum Research, Inc.® if the related claim is a proper claim for warranty work.

Under no circumstances shall Magnum Research, Inc.® be responsible for incidental or consequential damages with respect to economic loss or injury to property, whether as a result of breach of express or implied warranty, negligence or otherwise. Some states do not allow the exclusion or limitation of incidental or consequential damages, so the above limitation may not apply to you. Magnum Research, Inc.® will not be responsible for result of careless handling, unauthorized adjustments, defective, low quality, reloaded or improper ammunition, corrosion, neglect, ordinary wear and tear, or unreasonable use. Furthermore, the liability of Magnum Research, Inc.® under this warranty shall be limited solely to the obligation to replace or repair the firearm and to pay the related transportation charge to the facility of Magnum Research, Inc.®

This warranty gives you specific legal rights, and you may also have other rights which vary from state to state.

PLEASE NOTE: Handguns and long guns are classified as FIREARMS or DANGEROUS WEAPONS. Guns are surrendered by Magnum Research, Inc.® with the express understanding that it assumes no responsibility for re-sale handling under local laws and regulations.

WHAT IS NOT COVERED BY THIS WARRANTY?

- Failure to provide proper care and maintenance
- Hand loaded, reloaded or improper ammunition
- Unauthorized adjustments, repairs or modifications
- Accidents, abuse or misuse
- Barrel obstruction
- Normal wear and tear

(cut along dotted line)

INFORMATION CARD

CALIBER

MODEL

SERIAL NO.

Date of purchase

Owner's Name

Address

City

State

ZIP

E-mail

Dealer's Name

Address

City

State

ZIP

CAUTION

Use of proper safety precautions, including adequate eye and ear protections is recommended for the user of this product and for others in the vicinity of the user.

Discharging firearms in poorly ventilated areas, cleaning firearms, or handling ammunition may result in exposure to lead and other substances known to cause birth defects, reproductive harm, and other serious physical injury. Have adequate ventilation at all times. Wash hands thoroughly after exposure.

MAGNUM RESEARCH, INC.®

12602 33rd Avenue SW, Pillager, MN 56473

Phone: 508-635-4273

Website: www.magnumresearch.com

IMPORTANT

If the pistol is returned for servicing, please do not send custom stocks, holsters, gun cases, scopes, etc. as we cannot accept responsibility for possible damage or loss caused in transit.

Correspondence must include serial number, contact name, email address, daytime phone number and complete ship to address along with as much detail as to why you are sending your product in. Please include brand of ammunition, bullet weight and style and lot number of the ammunition you were using.

031110KBAD

(cut along dotted line)

PLACE
STAMP
HERE



12602 33rd Avenue SW,
Pillager, MN 56473