

# JERICO® PL/PSL/F/FS

## OPERATOR MANUAL



Read the instructions and warnings in this manual carefully and understand them before using this firearm. If there is anything you do not understand, seek advice from your retailer or someone qualified in the safe handling of firearms, or contact IWI US, Inc. at 717-695-2081 or [service@iwi.us](mailto:service@iwi.us).

**JERICO® 941™**  
**SEMI-AUTOMATIC**  
**DOUBLE ACTION (DA/SA)**  
**PISTOLS**  
**9mm LUGER, .40 S&W, .45 ACP**



**IWI US, Inc.**

This Operator Manual should always accompany this firearm and be transferred with it upon change in ownership, or when the firearm is loaned or transferred to another person.

**Congratulations on your purchase of the  
JERICO® 941™ Semi-Auto Pistol**

Your packaging includes:

1. Carrying Case.
2. This Manual.
3. Cleaning Kit.
4. Two Magazines.
5. JERICO® Pistol.
6. Gun Cable Lock.
7. Protective VCI Bag.

If you notice that anything is missing from the above list, please contact IWI US customer service at either [info@iwi.us](mailto:info@iwi.us) or call +1717-695-2081.

We appreciate your business.

**IWI US, Inc.**



---

**Table of Contents**

WARNING.....	3
This Manual Contains.....	4
Icons in This Manual.....	5
Illustrations in This Manual .....	5
Dangerous Procedures.....	6
General Safety Rules and Procedures.....	8
Firearms Safe Home Storage Checklist.....	15
Instructions for Using the Cable Lock .....	17
Preface.....	19
Caution.....	20
Safety Precautions .....	21
General Description and Characteristics.....	22



---

Technical Data .....	23
Operating Principles .....	26
Operating Instructions.....	27
Sights and Zeroing .....	30
Loading and Firing.....	32
Disassembly and Assembly .....	37
Care and Cleaning.....	44
Troubleshooting.....	47
Parts List & Exploded View.....	51
Limited Product Warranty .....	65
Repair Services .....	68

**WARNING**

PRIOR TO REMOVING THIS GUN FROM ITS PACKAGING, AND PRIOR TO HANDLING, LOADING AND FIRING, CAREFULLY AND THOROUGHLY READ AND UNDERSTAND THIS ENTIRE OPERATOR MANUAL WHICH GIVES ADVICE ON THE FIREARM'S PROPER HANDLING, FUNCTIONING AND SAFE USE. YOUR SAFETY AND THAT OF OTHERS (INCLUDING YOUR FAMILY) DEPENDS ON YOUR RESPONSIBLE COMPLIANCE WITH THAT ADVICE, GOOD JUDGMENT AND COMMON SENSE. **FIREARMS SAFETY DEPENDS ON YOU.** YOU CANNOT FORGET, YOU CANNOT OVERLOOK, YOU CANNOT ALLOW YOURSELF TO BE DISTRACTED, YOU CANNOT BECOME COMPLACENT OR CASUAL WITH FIREARMS.

THERE ARE NO "FOOLPROOF" FIREARMS. ONCE A SHOT IS FIRED, IT CANNOT BE CALLED BACK. A FIREARM IN YOUR HANDS CAN CAUSE UNINTENDED DEATH OR SERIOUS BODILY HARM IF YOU FAIL TO FOLLOW SAFE GUN HANDLING RULES AND PRACTICES SUCH AS THOSE CONTAINED IN THIS MANUAL. **REMEMBER, FIREARMS SAFETY DEPENDS ON YOU!**

IF UNFAMILIAR WITH FIREARMS, SEEK SUPERVISED INSTRUCTION FROM A CERTIFIED INSTRUCTOR.



---

## This Manual Contains

- Important **WARNINGS** and **SAFETY PRECAUTIONS** that must be read and understood before using this firearm. **SAFE GUN HANDLING IS YOUR PERSONAL RESPONSIBILITY AT ALL TIMES.** Disregarding the warnings and safety precautions in this manual can result in injury or death to you and others and damage to property.
- Directions and procedures for handling, loading firing, unloading, disassembling and assembling this firearm.
- Instructions for care, cleaning and repair of this firearm.

This Operator Manual is designed to help you in learning how to properly and safely use and care for your JERICO®. Only when you are certain you have fully familiarized yourself with the function of your firearm, should you practice loading, unloading, and firing with live rounds of ammunition at a firing range or other safe location.

This Operator Manual should always accompany the firearm and be transferred with the firearm on change of ownership or possession. Should you ever need to replace it, this manual is available FREE upon request from IWI US, Inc. or on the IWI US, Inc. website at <https://iwi.us/Support/Manuals-Catalog>.



## Icons in This Manual

Before you start, familiarize yourself with the icons you will see in the manual.

	<b>Warning</b>
	<b>Pay Attention</b>
	<b>Additional Information</b>
	<b>Procedure</b>
	<b>Process</b>
	<b>Safety Regulation</b>

## Illustrations in This Manual

The illustrations in this manual may differ slightly from the actual product.



## Dangerous Procedures



**WARNING!** Always have the headspace checked by a competent gunsmith with “Go” and “No-Go” gauges after replacing the barrel assembly. Failure to check the headspace may result in personal injury or death to you and others and could cause severe firearm damage.



**WARNING!** If your gun misfires with a live round in the chamber of a hot barrel, immediately remove the round while keeping the barrel pointed in a safe direction and the ejection port turned away from your face.

If unable to remove the live round within 10 seconds, remove the magazine, keep the gun pointed in a safe direction, and wait 15 minutes for the barrel to cool. Then remove the round. Continuous or rapid firing of your gun can cause the barrel temperature to reach a **“COOKOFF POINT”**, where the heat of the barrel can cause a live round to fire from remaining in contact with a hot chamber. If you have been firing continuously or rapidly, do not allow a live round to remain in the chamber when you finish firing, as it may **“COOK OFF”** (FIRE). Always keep your face away from the ejection port when clearing a hot chamber.



**WARNING!** Never fire your gun with water, grease, excess oil, or any other obstruction in the barrel as this could cause the gun to explode! Be sure the barrel is clear of obstructions before shooting.





**WARNING!** When firing and you experience a noticeable difference in sound or recoil,  
**STOP FIRING!**

The cause for either condition could be incomplete powder burn, a cartridge with a primer but no powder (“SQUIB LOAD”) or too little powder, and/or a bullet stuck in the bore.

Immediately unload the gun and check for unburned powder residue in the bore and the receiver or a bullet stuck in the bore. Remove the unburned powder before resuming firing. If a bullet is stuck in the bore, have a qualified gunsmith take care of the problem. Never try to “SHOOT OUT” a bullet stuck in the bore. Firing with unburned powder in the barrel or a bullet stuck in the bore could cause the barrel to explode causing serious injury or death.



## General Safety Rules and Procedures



**WARNING!** Careless and improper handling of this gun could result in unintended discharge, causing injury, death or property damage. Safety must be the first and constant consideration when handling a firearm and ammunition. **SAFETY DEPENDS ON YOU.**



**WARNING!** This firearm was designed to function properly in its original condition. Do not alter any parts. Do not replace any parts unless you are factory-trained to do so and then use only original factory parts from IWI US, Inc.



**WARNING!** This firearm should always be carried with the chamber empty and with the safety “ON SAFE” to prevent accidental discharge.

### Important Note:

This Operator Manual and the instructions and warnings contained in it are intended for the civilian recreational user, target shooter, or hunter, and not necessarily for the law enforcement, security, military, or other “defensive” user. Defensive use of this or any other firearm involves unusual, serious risks, and may at times require deviation from certain safety rules and gun handling procedures contained in this manual. Such defensive procedures and deviations are beyond the scope of this manual. In order to use such defensive procedures safely requires intensive initial training and qualification from a proper professional source, followed by “in service” training and qualification at appropriate intervals. Anyone who has not been properly and professionally trained in defensive gun handling procedures must not attempt to use this firearm in any manner other than as set out in this Operator Manual. Doing so can result in serious injury or death.



**WARNING!** Always handle and treat your firearm as if it were loaded so you will never fire it accidentally when you mistakenly think it is unloaded. Never take anyone's word that it is unloaded. Always check it yourself with your fingers off the trigger and the gun pointed in a safe direction. Even after you have confirmed that the gun is unloaded, continue to treat it as if it were loaded.



**WARNING!** Never place your fingers inside the trigger guard area unless you are aiming at a proper target and intend to fire. Instead, keep your trigger finger wrapped around the grip or braced on the gun's frame until you intend to fire. Do not pull the trigger or attempt to fire until the safety selector has been moved to the FIRE position.



**DANGER!** DO NOT grasp the forward portion of the trigger guard/pistol grip frame with your non-shooting hand or allow any fingers of your non-shooting hand to enter the trigger guard at any time. If you do so, there is a chance your non-shooting hand or fingers could touch the trigger, unintentionally firing the firearm and resulting in death or serious injury.



**WARNING!** If your finger is on the trigger or inside the trigger area, you may unintentionally discharge the firearm if you are startled, if you lose your balance, if you exert muscular force with your other hand or arm or with either leg, or if something comes in contact with your hand, arm, or the gun. Always keep the safety "ON SAFE" and your finger outside the trigger area, wrapped around the grip or braced on the gun's frame, until you intend to fire.



**WARNING!** Upon firing, a hot, empty shell casing is forcefully ejected from the right side of the firearm. All persons present must wear suitable eye protection, and must stand clear of the case ejection area.



**WARNING!** Keep the gun's muzzle pointed in a safe direction at all times. A safe direction is one in which an unintentionally fired shot will not cause any physical injury or property damage. Never let the muzzle of a firearm point at any part of your body or another person, or in any direction where an injury may result if the gun were to fire. Always be sure of your target and what's beyond and around it before firing.



**WARNING! UNLOAD ALL FIREARMS WHEN NOT IN USE. NEVER STORE A LOADED FIREARM.** Firearms and ammunition should be stored separately under lock and key so that they are inaccessible to children or unauthorized users. Never leave a loaded firearm, or any firearm or ammunition, unattended where an unauthorized user might have access to it. At the range, any firearm you lay down on the shooting bench should be unloaded, with its action locked open. Never lean or place a firearm where it could slide or fall, such as leaning it against or placing it on a vehicle. Never let the muzzle of a firearm touch the ground, or touch mud, sand or snow that might obstruct the bore, causing the barrel to burst when you fire. If you drop a firearm, pick it up carefully with it pointed in a safe direction (have all other people move out of the direction of the muzzle), with your finger outside the trigger area and the safety in the “ON SAFE” position. Then unload the firearm, and check to be sure there are no obstructions in the bore. This can be done safely with a cleaning rod, or by disassembling the firearm and looking down the bore from the chamber (rear) end. If there is any possibility of damage to your JERICHO®, have it inspected by a qualified gunsmith, or return it to IWI US, Inc. for inspection, before you load or fire it again.



**WARNING!** Always make sure your firearm is not loaded before cleaning, storing, transporting or handing it to another person. Firearms should be transported unloaded and in a protective gun case.



**WARNING!** Whenever you pick up any firearm that, even for an instant, has been out of your direct, continuous control, the first thing you must do, while keeping the muzzle pointed in a safe direction and your fingers out of the trigger area, is to open the firearm's action (mechanism) to determine whether or not it is loaded.



**WARNING!** Always wear and require others to wear wraparound ANSI or OSHA approved safety glasses while shooting to protect your eyes from injury by ejected shell cases, gun powder gas, lubricant, dirt or metallic particles, carbon residue, sparks, bullet splashback from targets or other debris.



**WARNING!** Always wear and require others to wear commercially manufactured ear protection when shooting. Without ear protection, the noise from your gun, and other guns close to you, could leave a “ringing” in the ears for some time after firing, and could result in permanent hearing loss.



**WARNING!** Learn the mechanical and handling characteristics of the firearm you are using. Not all firearms are the same, and your JERICHO® firearm has some unique features. Do not assume that just because you have experience with other firearms, you know how to use the JERICHO® firearm properly. Read and understand this manual. If there is anything you do not understand, contact your firearms retailer or IWI US, Inc. at [service@iwi.us](mailto:service@iwi.us) or telephone +1717-695-2081.



**WARNING!** Never climb or descend a tree, fence or wall, jump across a stream or ditch, or attempt to cross an obstacle, ice, or precarious terrain while carrying a loaded firearm. Whenever you are going to do anything awkward, unload the gun first!



**WARNING!** Do not shoot at a hard surface, such as rock, masonry or metal, or at water or ice. The bullet may ricochet and travel in unpredictable directions to strike you or another unintended person or object, or even an object that you cannot see.



**WARNING!** A bullet fired into the air can travel over one mile, and can kill or seriously injure someone when it comes down. Never fire into the air, or at a target or animal in a tree or on the crest of a hill.



**WARNING!** Before hunting with this or any other firearm, take an approved Hunter Safety Course, taught in all states by the state game commission or by the National Rifle Association (NRA). Follow your state's game laws at all times while hunting.



**WARNING!** Firing a gun near livestock or other domestic animals may startle them and cause them to injure themselves, other animals, or people, or to cause property damage. Think first before you discharge any firearm.



**WARNING!** If you have not received formal firearms instruction or if you have any doubts about your ability to handle or use this firearm safely, seek supervised instruction from a certified instructor. Information about sources of firearms instruction can often be obtained from your local police department, firearms retailer, gun club, shooting range, state game commission, or from the National Rifle Association (“NRA”), 11250 Waples Mill Road, Fairfax, Virginia 22030, telephone 1-703-267-1000 or 1-800-672-3888.



**WARNING!** If at any time you notice something about the appearance or functioning of your JERICOH® firearm that does not seem proper or that causes you concern, STOP, unload your firearm immediately, and do not load or fire your firearm until you have it inspected and, if necessary, repaired by a factory-trained armorer, or by IWI US, Inc. If you fire your JERICOH® firearm extensively, have it professionally inspected and serviced periodically (annually is a good average interval) by a factory-trained armorer or by IWI US, Inc.



**WARNING!** Firearms and alcohol do not mix. Never drink alcoholic beverages or take drugs before or during shooting. This constitutes criminal disregard for your safety and that of others. Some medications can impair your vision, balance, reflexes, coordination, alertness or judgment. Never use a firearm while you are taking medication unless you have checked with your doctor to ensure your fitness to handle your firearm safely. Do not handle your firearm when you are ill, tired, upset or distracted.



**WARNING!** Horseplay has no place around firearms. Guns can't think – you can!  
**SAFETY DEPENDS ON YOU!**



**WARNING!** Remember, safety is your responsibility. Be a safe shooter.  
**SAFETY DEPENDS ON YOU!**



**WARNING! FOLLOW THE LAW.** Obey all local, state and federal laws regarding possessing, storage, shooting and transporting your firearm.



**WARNING!** Discharging firearms in poorly ventilated areas, cleaning or handling firearms, or handling ammunition may result in exposure to lead and other substances that may cause birth defects, reproductive harm, and other serious physical injury. Have adequate ventilation at all times. Wash your hands and face thoroughly after exposure, and before eating or drinking. Shooting, handling or cleaning guns may expose you to lead, which is a toxic substance.

**REMEMBER, FIREARMS SAFETY DEPENDS ON YOU! THERE ARE NO “FOOLPROOF” GUNS, INCLUDING THE JERICO® 941. A SINGLE MOMENT OF INATTENTION OR A SINGLE FAILURE TO FOLLOW THESE GUN SAFETY RULES AND WARNINGS CAN RESULT IN TRAGEDY. YOU ARE RESPONSIBLE FOR THE GUN THAT IS IN YOUR HANDS, IN YOUR POSSESSION, OR UNDER YOUR CONTROL. FIREARMS SAFETY DEPENDS ON YOU!**





## Firearms Safe Home Storage Checklist

- Firearms naturally attract the attention of children, teenagers and adults alike. Accordingly, it is YOUR responsibility to ensure that your firearms, when unattended, stored, or not in use, are secured under lock and key, safely out of the access of all unauthorized users. This is YOUR responsibility, and any mistake or laziness on your part can result in death or serious injury to your loved ones or others.
- Firearms must be securely stored under lock and key in a location inaccessible to children and other unauthorized persons.
- One of the safest ways to store your firearms is in a locking metal gun safe or lock box. Many models, including ones permitting quick access to the firearm if needed for self-defense, are now available at firearms retailers or via the Internet. Using the cable lock provided with your JERICHO® SEMI-AUTOMATIC PISTOL (see “Instructions for Using the Cable Lock” on page 17) is a good safety precaution, but not as good as locking your firearm in a metal gun safe, where it is also out of sight and protected from fire, theft, and curious hands.
- Sporting firearms should be immediately cleaned and placed in secure locked storage when they are returned from hunting or target shooting.



- When firearms are removed from storage, they must always immediately be carefully checked to confirm that they are unloaded.
- Ammunition should be stored under lock and key, in a separate location from firearms.
- The operator manual that came with your firearm must be read, understood and followed.

For more information on safe storage and use, refer to the NSSF pamphlets “**Firearms Safety Depends on You**” and “**Firearms Responsibility in the Home**”, available for download from the NSSF website at <http://www.nssf.org/safety/lit/>.



## Instructions for Using the Cable Lock

Your JERICO® Pistol is supplied with a quality cable lock. Properly used, this lock will help you to secure your firearm from children and other unauthorized users to reduce the chance of an accident, either in the home or while transporting your firearm, provided you take the other reasonable safety precautions contained in this Operator Manual.



**WARNING! NEVER** attempt to use the cable lock on a loaded firearm - always unload the firearm before installing the cable lock. Otherwise, the firearm could discharge, causing death or serious injury.



**WARNING! NEVER** insert the cable lock into the trigger guard or trigger area of the JERICO® or any other firearm, as the cable could press against the trigger and fire the gun, causing death or serious injury.



**WARNING!** The cable lock supplied with your JERICO® Pistol may not fit or work properly on other firearms. This lock is intended for use only on your JERICO® Pistol.

To use the cable lock, do the following:

1. Be sure your firearm is empty (unloaded) by following the “Unloading the Pistol” on page 36.  
Your JERICO® should now be unloaded, with the safety "ON SAFE".



**WARNING!** Keep the muzzle pointed in a safe direction, your fingers outside the trigger area, and the safety lever "ON SAFE" throughout the process of putting the cable lock on your pistol.

2. Using the key, open the cable lock. Leave the key in the lock.
3. Insert the end of the cable lock cable through the ejection port and out through the empty magazine well.
4. Insert the end of the cable lock cable into the lock body and hold the end of the cable fully into the lock body while you turn and remove the key to lock the lock.
5. Tug hard on the cable several times to be sure the lock is locked securely. Used in this way, the cable lock will prevent the JERICHO® slide from closing, preventing the pistol from being fired.
6. Take the key with you, or store the key securely in a remote location from the firearm.
7. Store your firearm in a secure place out of sight, and out of reach of children.

**NOTE** While the cable lock can be an important part of your firearms security program, for home storage it is not as secure as locking your gun in a metal gun safe or lock box. Use of the cable lock alone will not prevent your firearm from being stolen, and will not keep your firearm out of view of unauthorized users. The cable lock can be cut off the firearm with a hacksaw, bolt cutter or cable cutter.



## Preface

Welcome to the proud family of **JERICO Pistol** owners. The JERICO PL/PSL refers to a light weight polymer-frame, with frame-mounted safety and F/FS refers to a steel frame, with frame-mounted safety.

Care and handling are the same for all models. They share most parts in common as well.





## Caution

Failure to comply the warnings in this booklet may result in serious injury to you or others, as well as damage to the firearm or other property. Take note of the following warnings on gun handling before attempting to use the pistol:

- Always check the chamber and magazine of any firearm before handling.
- Never load or carry a loaded gun until you are ready to use it.
- Keep guns and ammunition separate and in locked storage.
- Don't shoot unless absolutely sure of your target and what is beyond it.
- Know the range of your gun.
- Always wear eye and ear protection when shooting.
- Always be sure the barrel is clear of obstructions.
- Only carry ammunition specifically intended for the gun you are using.
- Never use alcohol or drugs of any kind while using your firearm.



## Safety Precautions

Make sure that the pistol is unloaded and in the "SAFE" position (safety pointing upwards) when the pistol is not in use and before:

- Receiving or handling over a pistol.
- Transporting a pistol.
- Inserting the magazine.
- Cleaning or servicing a pistol.

Immediately after firing, set the safety in the "SAFE" position, remove the magazine and make sure the chamber is empty.

### When Handling the Pistol:

- Never point it at anyone.
- Always make sure that the barrel points in a safe direction.
- Always assume that the pistol is loaded.
- Practice handling the pistol empty.
- The JERICHO pistol may be dry fired without harming the pistol's mechanism.
- Never load a pistol until you are ready to use it.

### Before Firing the Pistol:

- Wear ear and eye protection.
- Always be sure of your target backstop and what lies beyond it.



## General Description and Characteristics

The JERICHO pistol by IWI is a semi-automatic magazine-fed, double-action pistol. In the "SAFE" position the trigger is blocked.

The JERICHO pistol is designed for shooting standard 9 mm Parabellum, .40 S&W and .45 ACP ammunition.

The JERICHO models have an integral MIL-STD 1913 rail for accessories.

The anatomically formed grip dimensions permit rapid, accurate, instinctive shooting. The combat style trigger guard is designed for two-handed shooting. An easily operated frame-mounted thumb safety and deep-groove serrated slide grip are designed for positive operation.

The pistol is equipped with standard combat-style sights that can be adjustable for windage. Both sights are dove-tail mounted.





## Technical Data

	PL		PSL		F		FS		
Caliber	9mm	.40S&W	9mm	.40S&W	9mm	.40S&W	9mm	.40S&W	.45ACP
Frame	Black polymer				Steel				
Operating Principle	Semi-automatic, short recoil system.								
Locking System	Lug to slot (lugs on the barrel to slots in slide).								
Trigger Mechanism	Double Action or Single Action.								
Trigger Pull Force:	SA: 4 – 6.2 Lb. DA: 11 - 14.3 Lb.				SA: 4 - 5 Lb. DA: 12.1 - 14.3 Lb.				
Sights	Combat type, adjustable for windage.								
Rifling	6 RH grooves (polygonal).								
Picatinny Rail	+								



**Weight**

Weight (Lb.)	PL		PSL		F		FS		
Caliber	9mm	.40S&W	9mm	.40S&W	9mm	.40S&W	9mm	.40S&W	.45ACP
Pistol w/o Magazine	1.75		1.6		2.4		2.25		
Empty Magazine	0.2		0.2		0.2		0.2		0.22
Loaded Magazine	0.62	0.63	0.62	0.63	0.62		0.62		0.68



## Dimensions

Dimensions (In.)	PL		PSL		F		FS		
	9mm	.40S&W	9mm	.40S&W	9mm	.40S&W	9mm	.40S&W	.45ACP
Caliber	9mm	.40S&W	9mm	.40S&W	9mm	.40S&W	9mm	.40S&W	.45ACP
Length, Overall	8.2"		7.6"		8.2"		7.6"		
Height	5.5"		5.5"		5.5"		5.5"		
Width	1.5"		1.5"		1.5"		1.5"		
Barrel Length	4.4"		3.8"		4.4"		3.8"		
Trigger Reach (DA)	3"		3"		3"		3"		
Sight Line Radius	6.14"		5.55"		6.14"		5.55"		
Rifling (1 turn)	1:10"	1:16"	1:10"	1:16"	1:10"	1:16"	1:10"	1:16"	1:16"
Magazine Capacity	10/16	10/12	10/16	10/12	10/16	10/12	10/16	10/12	10



## Operating Principles

### Retraction Movement

After pulling the trigger, the hammer is released and hits the firing pin. Propellant gas pressure pushes the bullet along the bore, while at the same time pushing the slide rearward. Since the barrel is locked to the slide, both recoil together a short distance (until the pressure is reduced to a safe level). The barrel then stops and disengages from the slide. The slide continues its rearward travel, and extracts the empty cartridge case from the chamber. When the cartridge case hits the ejector, it is ejected from the pistol. At the same time, the slide cocks the hammer and compresses the recoil spring.

### Forward Movement

When the recoil spring expands, it drives the slide forward. During this movement the slide strips the upper round from the magazine and inserts it into the chamber. The locking lugs on the barrel engage the slots in the slide and lock the round in the chamber. The pistol is now ready for firing.

### Continued Firing

To fire additional round, release the trigger and pull it again. After the last round is fired, the slide is retained in its rear position by the slide catch. To continue firing, change the magazine and release the slide by pressing the slide catch or by pulling the slide rearward and releasing it.

### Safety Features

In the JERICO models the safety is frame- mounted (left side). Rotating the safety upwards will lock the pistol. The rotation blocks the sear which in turn blocks the trigger. To prevent involuntary firing, the pistol has a mechanism that blocks the firing pin unless the trigger is fully pulled.



## Operating Instructions

### Checking the pistol

1. Make sure that during the checking procedure the pistol is pointing in a safe direction.
2. Move the safety up to the "SAFE" position (Fig.1).
3. Press the magazine catch (1), and remove the magazine (2) (Fig. 2).





4. Move the safety lever down to the "FIRE" position (Fig.3). A red dot will be visible.
5. Pull the slide to the rear (Fig. 4) and check the chamber visually to ensure that the pistol is unloaded. Release the slide.



Fig. 3



Fig. 4



6. Point the pistol in a safe direction and pull the trigger (Fig. 5).
7. Move the safety up to the "SAFE" position.
8. Point the pistol in a safe direction, and check that the trigger is blocked.
9. Move the safety down to the "FIRE" position and then pull the trigger to check the double-action mechanism.
10. Move the safety up to the "SAFE" position.

**Fig. 5**

### **Ammunition Warning**

- Use only original, high quality, commercially manufactured ammunition which is in good condition.
- Only use ammunition of the caliber for which your pistol is chambered. You will find the correct caliber engraved on the right side of the firearm (on the barrel).
- You should always use ammunition that complies with standards established by SAAMI - The Sporting Arms and Ammunition Manufacturers Institute, Inc. or CIP.
- The use of hand loaded, reloaded or other non - standard ammunition will void all warranties.
- It is not recommended to use ammunition not designed for pistols.



## Filling the Magazine

1. With the magazine in an upright position, place a round on the magazine follower, in front of the magazine lips.
2. Press the round down and slide it under the magazine lips (1), and push the cartridges all the way to the rear of the magazine (2) (Fig. 6).
3. Repeat the process until fully loaded.



### NOTE:

The number of cartridges in the magazine can be verified by the indicator holes (Fig. 7). Do not fill the magazine with more than the number of cartridges specified.

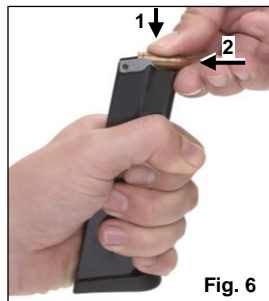


### CAUTION:

Damaged or bent magazine lips will cause a malfunction.  
**Do not force cartridges.**

## Emptying the Magazine

1. Push the cartridges forward with your thumb until they are out from under the magazine lips (Fig. 7).
2. Repeat until the magazine is empty.







## Sights and Zeroing

The standard JERICO sights consist of a front and a rear sight. Both are combat style with three white dots, and are designed to ensure rapid and accurate aiming.

Optional sights with a beta-type tritium light source are available (Fig. 8).

The JERICO is factory zeroed at 25 meters. Due to individual eyesight variations, the actual Mean Point of Impact (MPI) may vary. Zeroing is possible for windage only.

### To Adjust the Sights

Use a small hammer and a brass punch to lightly tap the sight on the side. (Moving the rear sight to the left will move the point of impact to the left).

Adjustments of the sights in this manner should only be performed by a competent gunsmith.



#### NOTE:

Special equipment, used only by a competent gunsmith, is necessary to assemble/disassemble the tritium sight. Never strike the sights.



Fig. 8



## Loading and Firing

### Pre-Loading and Pre-Firing Checks

1. Perform the safety checks listed on page 27 (para. 1-6) to ensure that the pistol is not loaded.
2. Always make sure that the barrel is clean and dry (all factory packing grease should be removed from all surfaces before firing the pistol for the first time).
3. Check that the magazines are clean and properly loaded.



### **WARNING! - MAGAZINE LOADING**

DO NOT USE EXCESSIVE UPWARD FORCE WHEN INSERTING A LOADED MAGAZINE INTO THE PISTOL.

EXCESSIVE UPWARD FORCE COULD CAUSE THE SLIDE TO MOVE FORWARD, CHAMBERING A ROUND AND MAKING THE PISTOL READY TO FIRE.



## Cocking the Pistol

1. Insert the magazine into the pistol (Fig. 9).
2. Verify the safety is in the "FIRE" position.
3. Pull the slide all the way back and release it instantly (Fig. 10). This operation chambers a round. Do not let your hand accompany the slide as it moves forward.
4. Move safety to "SAFE".



### CAUTION:

Never chamber a round unless you are ready to fire.



Fig. 9

**WARNING**

- The pistol is now loaded - make sure that the barrel is pointed in a safe direction.
- Keep your index or trigger finger out of the trigger guard while cocking (Fig. 10).

**Firing the Pistol**

1. With the pistol pointed at the target, move the safety to the "FIRE" position (RED dot will be visible).
2. Aim and pull the trigger.

**Reloading During Firing**

The slide will remain in the rear position after the last round is fired and the magazine is empty (Fig. 11).

1. Remove the empty magazine by pressing the magazine catch.
2. Insert a full magazine.

**Fig. 10****Fig. 11**



3. Release the slide by pressing the slide catch lever (Fig. 12) or by pulling the slide slightly to the rear and releasing it.

**WARNING**

The pistol is now loaded and cocked with the safety in the "FIRE" position.

**Obstruction Warning**

- A foreign object in the barrel could cause damage to the firearm as well as serious injury to the shooter or to others.
- It is the sole responsibility of the user to check the bore for obstructions before firing the firearm.
- Always visually check the chamber and bore.
- Stop firing until the obstruction is fully cleared.
- Warranty claims resulting from a bore obstruction will not be covered by the warranty.

**Fig. 12**



## Unloading the Pistol

All the following operations must be done while the barrel is pointing in a safe direction.

1. Set the safety in the "SAFE" position.
2. Press the magazine catch and remove the magazine.
3. Set the safety in the "FIRE" position.
4. Pull the slide to the rear and eject any chambered cartridge.
5. While the slide is in the rear position, visually check to make certain that the chamber is empty.
6. Return the slide to the forward position.
7. Release the hammer by squeezing the trigger.
8. Set the safety in the "SAFE" position.



## Disassembly and Assembly



### General

This chapter deals with those disassembly and assembly operations which the user should carry out for routine maintenance of the pistol. Disassembling or assembling of any other parts is not recommended and will void all warranties. Disassembly should be carried out on a clean surface. All the disassembled parts should be placed in order of their removal.



### CAUTION:

Before disassembling the pistol, check that there is no magazine in the pistol, nor a live round in the chamber. To unload the pistol, see “Unloading the Pistol” on page 36.



## Disassembling the Pistol

1. With the pistol completely unloaded, move the safety to the "FIRE" position, and manually move the hammer to the cocked position (Fig. 13).
2. Push the slide slightly to the rear (1) until the mark at the rear end of the slide is just above the mark on the frame (2) (Fig. 14).
3. While holding the pistol in that position, remove the slide catch lever by pushing the pin of the lever on the opposite side of the frame (Fig. 15).



Fig. 13



Fig. 14



Fig. 15

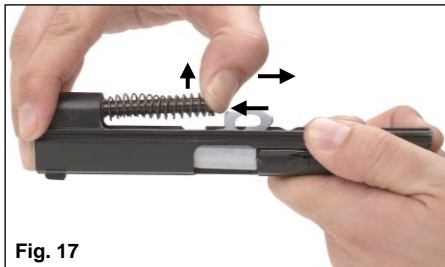




4. Pull the slide from the frame (Fig. 16).
5. Remove the recoil spring from its housing under the barrel (Fig. 17).
6. Remove the barrel from the slide (Fig. 18).

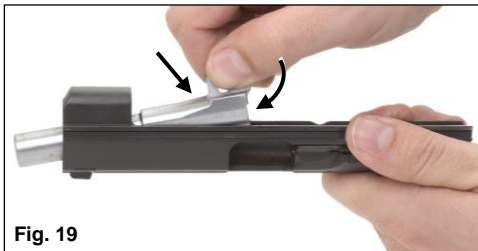
**WARNING**

No further disassembly is required or advised for routine maintenance.

**Fig. 16****Fig. 17****Fig. 18**

## Assembling the Pistol

1. Insert the barrel in the slide into its rearmost (locked) position (Fig. 19).
2. Insert the recoil spring (by manually pressing down towards the barrel), making sure that it is securely fitted into the recess in the bottom lug of the barrel (Fig. 20).
3. Manually cock the hammer.





4. Mount the slide on the frame (Fig. 21) and push it to the rear (1) until the marks are in line, one above the other (2), then insert the slide catch pin until it snaps into place (3) (Fig. 22).
5. Check correct pistol operation by cocking it.
6. Check trigger and hammer operation and verify that the safety is functioning properly and safely.



Fig. 21



Fig. 22



## Disassembling the Magazine

1. Remove all cartridges from the magazine.
2. Hold the magazine with the base facing upward.
3. With the aid of a small pointed object, push the base catch button inward (Fig. 23).
4. With the catch depressed (1), carefully slide the magazine base backwards while maintaining pressure on the base (2) (Fig. 24).





- Carefully holding the spring in place with the thumb (1), remove the magazine base with the other hand (2); remove the magazine base catch and spring (Fig. 25).
- Press the follower and slide it out through the base opening of the magazine. (Fig. 26).

**WARNING**

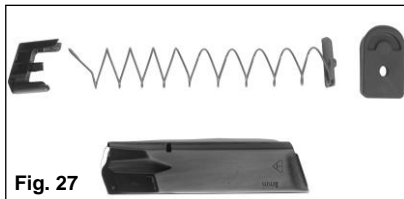
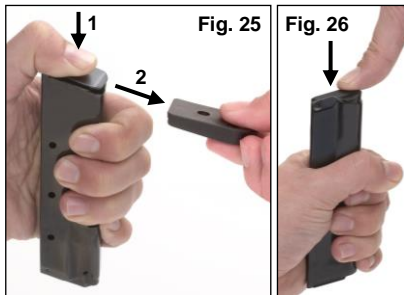
The magazine spring is under pressure and may be released accidentally, causing injury if not held in place during disassembly or assembly. Do not point the magazine base toward your or another person's face.

**Assembling the Magazine**

To assemble the magazine, perform the steps of the disassembly in the reverse order.

**NOTE:**

We do not recommend further disassembly of this pistol. Any other maintenance or repairs must be performed by a factory warranty repair station. Any work done by others or by an unqualified gunsmith will void the warranty.





## Care and Cleaning



### General

Comprehensive knowledge of how to service and handle the pistol is of great importance. Experience has shown that most failures which occur while operating the pistol are due to negligence in maintenance. Special attention must be paid to cleaning, lubricating and inspecting the pistol. This will determine whether or not the pistol functions properly when you need it. In order to maintain accuracy, the barrel must be serviced thoroughly. Care and cleaning includes the magazines.



### Cleaning Kit

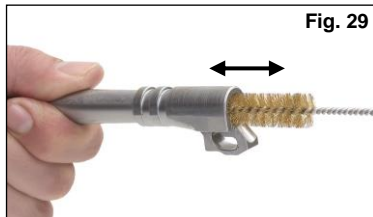
The cleaning kit supplied with each pistol includes the following items:

No.	Part
1	Nylon bristle brush
2	Brass bristle brush
3	Cleaning rod



## Cleaning the Pistol

1. Upon receiving the pistol, disassemble and inspect it, see “Disassembling the Pistol” on page 38.
2. Clean the pistol regularly to ensure it functions properly when needed.
3. For the initial cleaning, make certain that any heavy or sticky deposits of protective material are removed.
4. When cleaning the slide, pay particular attention to the area around the extractor and firing pin, making certain that all powder residue is removed. A small brush, swabs and solvent should be used to remove dirt from hard to reach areas (Fig. 28).
5. To clean the barrel, use the brass wire brush. Run the brush completely through the chamber and bore till it protrudes from the other end of the barrel.
6. Pull the brush in the opposite direction and remove it from the barrel (Fig. 29). Repeat this operation several times.

**Fig. 28****Fig. 29**



7. Use a patch moistened with powder solvent and clean the bore. Repeat this operation using clean, dry patches.
8. Oil the chamber, bore and all moving parts of the pistol with a lightly oiled patch/cloth, then remove all excess oil with a dry one.
9. While cleaning, inspect all parts for wear and damage. Make sure all surfaces are free from rust and that the chrome coating (if there is any) is not peeling.
10. Assemble the pistol and make sure it functions properly.
11. Move safety to "SAFE" position.
12. Never use abrasive or metallic objects for cleaning.





## Troubleshooting



### General

This chapter contains the troubleshooting information for the JERICO®. For each symptom, the probable reason is provided, as well as the instructions for remedy action.

### Immediate Action

If the pistol fails to fire, immediate action must be taken before investigating the cause of the fault.



### WARNING

Before proceeding to investigate the cause of any fault, verify that:

- The pistol is properly assembled.
- The pistol is properly cleaned and lubricated, the barrel, chamber, and slide head are completely dried.
- The ammunition batch has been inspected and approved for use.
- The magazine is intact and not loaded with more rounds than the capacity of the magazine.



Immediate action involves the following operation:

1. **TAP** - Tap the magazine base upwards to make sure the magazine is properly seated.
2. **COCK** - Pull the slide all the way back. Watch the ejection of the cartridge or cartridge case.
3. **RELEASE** - If the cartridge or cartridge case is ejected, release the slide to feed a new round.



**WARNING** - Do not “ride” the slide!

4. **AIM AND FIRE** - Aim and pull the trigger.

If, after repeating the above operation twice, the pistol still fails to fire, proceed as follows:

- **LOWER** - Lower the pistol, move the safety to Safe, and remove the magazine.
- **COCK** - Pull the slide all the way to the rear.
- **LOOK** - Look inside the ejection port.
- **LOCATE** - Locate the fault by inspecting the chamber and slide face.
- **FIX** - Fix the fault and continue firing (see “troubleshooting table”).



## Troubleshooting Table

The troubleshooting table below contains reference to faults in operating the JERICO®. For each fault, the possible cause is provided as well as the instruction for remedial action.

#	Fault	Possible Cause	Remedy
1	Failure to feed	Magazine improperly seated	Push magazine to engage catch.
		Magazine is incorrectly assembled	Dismantle and reassemble.
		Magazine damaged	Replace magazine.
		Dirty magazine	Empty the magazine and clean.
		Short recoil	Check recoil spring placement.
2	Failure to lock	Recoil spring defective	Disassemble recoil spring unit, inspect, replace if needed.
		Dirt in chamber or pistol	Clean the pistol.
		Defective ammunition	Check, replace damaged ammunition.
		Damaged locking lug	Check barrel and slide, file or replace.



#	Fault	Possible Cause	Remedy
3	Failure to fire	Defective ammunition	Check, replace damaged ammunition.
		Defective firing pin or firing pin spring	Replace if needed.
		Firing pin block damaged	Replace if needed.
4	Failure to extract	Dirt in chamber	Clean chamber.
		Defective extractor or extractor spring	Replace if needed.
5	Failure to eject	Defective ejector	Inspect, replace sear housing, if needed.
		Dirt in chamber	Clean chamber.
		Defective extractor	Replace if needed.
		Weak ammunition	Test fire with another brand.



## Parts List & Exploded View

### Polymer Frame Models

#	MODEL	PART NUMBER	DESCRIPTION	QTY
1	PL 9x19	00.621.1163	RECOIL SPRING GUIDE (FULL SIZE)	1
	PL .40S&W			
	PSL 9x19	00.621.1171	RECOIL SPRING GUIDE (SHORT)	
	PSL .40S&W			
2	PL 9x19	00.621.1161	RECOIL SPRING, FULL SIZE MODEL	1
	PL .40S&W	00.621.1162	RECOIL SPRING .40S&W (FULL SIZE)	
	PSL 9x19	00.621.1186	INTERNAL RECOIL SPRING (SHORT MODEL)	
	PSL .40S&W			
3	PSL 9x19	00.621.1187	OUTER RECOIL SPRING (SHORT MODEL)	1
	PSL .40S&W			
4	PL 9x19	00.621.1001	BARREL 9x19	1
	PL .40S&W	00.621.1030	.40S&W BARREL	
	PSL 9x19	00.621.1010	BARREL 9x19 SHORT	
	PSL .40S&W	00.621.1060	BARREL 40S&W SHORT	



#	MODEL	PART NUMBER	DESCRIPTION	QTY
5	PL 9x19	00.621.6151	SLIDE PL 9x19	1
	PL .40S&W	00.621.6157	SLIDE PL 40S&W	
	PSL 9x19	00.621.6186	SLIDE PSL 9x19	
	PSL .40S&W	00.621.6188	SLIDE PSL 40S&W	
6	ALL	00.621.2221	FIRING PIN BLOCK SPRING	1
7	ALL	00.622.0521	FIRING PIN PLATE	1
8	ALL	00.621.2223	FIRING PIN BLOCKER 3.85	1
9	ALL	00.622.0529	FRONT SIGHT	1
10	ALL	00.622.0523	EXTRACTOR PIN	1
11	PL 9x19	00.621.1205	EXTRACTOR 9x19	1
	PSL 9x19			
	PL .40S&W	00.621.2205	EXTRACTOR 40S&W	
	PSL .40S&W			
12	ALL	00.621.1248	DRIFTED REAR SIGHT	1
13	ALL	00.621.1207	EXTRACTOR SPRING	1



#	MODEL	PART NUMBER	DESCRIPTION	QTY
14	ALL	00.621.1203	FIRING SPRING SPRING	1
15	ALL	00.621.2202	FIRING PIN (F models)	1
16	ALL	00.621.1308	TRIGGER SPRING	1
17	ALL	00.621.1306	SLIDE CATCH SPRING	1
18	ALL	00.621.1307	SLIDE CATCH SPRING PLUNGER	1
19	ALL	00.621.4206	TRIGGER HOUSING	1
20	ALL	00.622.1507	TRIGGER PIVOT	1
21	ALL	00.621.1333	TRIGGER BAR PIVOT	3
22	ALL	00.621.4226	TRIGGER	1
23	ALL	00.621.1352	TRIGGER BAR	1
24	ALL	00.621.1346	TRIGGER BAR PLUNGER HEAD	1
25	ALL	00.621.1343	TRIGGER BAR PLUNGER SPRING	1
26	ALL	00.621.1342	TRIGGER BAR PLUNGER SAFETY PIN	1
27	ALL	00.621.1344	TRIGGER BAR PLUNGER	1
28	ALL	00.621.4264	HAMMER PIVOT, POLYMER FRAME	1

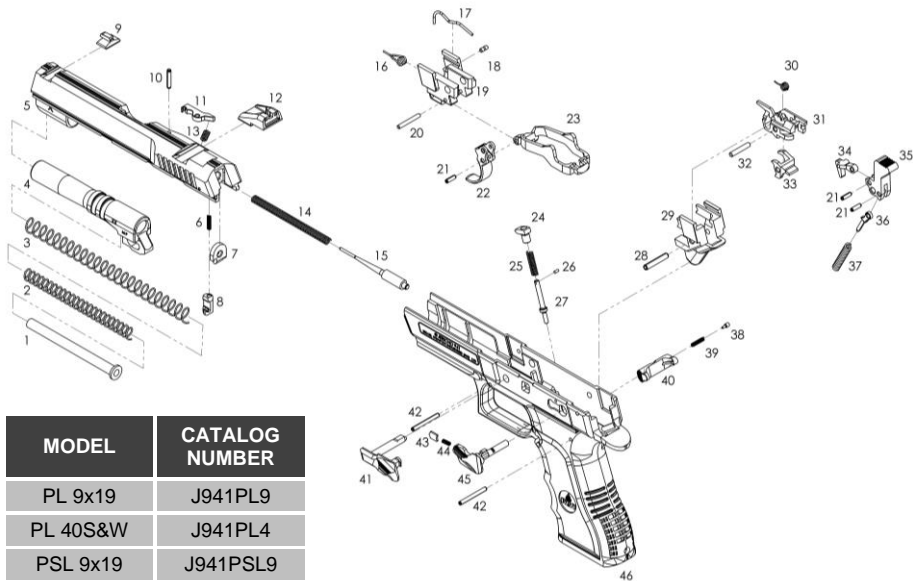


#	MODEL	PART NUMBER	DESCRIPTION	QTY
29	ALL	00.621.4262	HAMMER HOUSING	1
30	ALL	00.621.1363	SEAR SPRING	1
31	ALL	00.621.3361	SEAR HOUSING	1
32	ALL	00.622.1533	SEAR PIVOT	1
33	ALL	00.621.3362	SEAR	1
34	ALL	00.621.1334	COCKING SEAR	1
35	ALL	00.621.1331	HAMMER	1
36	ALL	00.622.1542	HAMMER SPRING ROD	1
37	ALL	00.621.4209	HAMMER SPRING	1
38	ALL	00.621.1303	MAGAZINE CATCH PLUNGER	1
39	ALL	00.621.1304	MAGAZINE CATCH SPRING	1
40	ALL	00.621.4257	MAGAZINE CATCH	1
41	ALL	00.621.5205	SLIDE CATCH	1
42	ALL	00.621.4215	TRIGGER BLOCK PIN, POLY. FRAME	2
43	ALL	00.621.3222	SAFETY KNOCK	1





#	MODEL	PART NUMBER	DESCRIPTION	QTY
44	ALL	00.621.3223	SAFETY KNOCK SPRING	1
45	ALL	00.621.4216	SAFETY LEVER LEFT	1
46	PL 9x19	00.621.4620	POLYMER FRAME PL - US SUB ASSEMBLY	1
	PL .40S&W			
	PSL 9x19	00.621.4610	POLYMER FRAME PSL - US, SUB ASSEMBLY	
	PSL .40S&W			



MODEL	CATALOG NUMBER
PL 9x19	J941PL9
PL 40S&W	J941PL4
PSL 9x19	J941PSL9
PSL 40S&W	J941PSL4



**Steel Frame Models**

#	MODEL	PART NUMBER	DESCRIPTION	QTY
1	F 9x19	00.621.1163	RECOIL SPRING GUIDE (FULL SIZE)	1
	F .40S&W			
	FS 9x19	00.621.1171	RECOIL SPRING GUIDE (SHORT)	
	FS .40S&W			
	FS .45ACP			
2	F 9x19	00.621.1161	RECOIL SPRING, FULL SIZE MODEL	1
	F .40S&W	00.621.1162	RECOIL SPRING .40S&W (FULL SIZE)	
2-A	FS 9x19, FS.40S&W,	00.621.1186	INTERNAL RECOIL SPRING (SHORT MODEL)	1
2-B	FS .45ACP	00.621.1187	OUTER RECOIL SPRING (SHORT MODEL)	1
3	F 9x19	00.621.1001	BARREL 9x19	1
	F .40S&W	00.621.1030	BARREL .40S&W	
	FS 9x19	00.621.1010	BARREL 9x19 SHORT	
	FS .40S&W	00.621.1060	BARREL .40S&W SHORT	
	FS .45ACP	00.621.1090	BARREL .45ACP SHORT	



#	MODEL	PART NUMBER	DESCRIPTION	QTY
4	F 9x19	00.621.2101	SLIDE F9x19	1
	F .40S&W	00.621.2201	SLIDE F.40S&W	
	FS 9x19	00.621.2103	SLIDE FS 9x19	
	FS .40S&W	00.621.2161	SLIDE FS .40S&W	
	FS .45ACP	00.621.2411	SLIDE FS .45ACP	
5	ALL	00.622.0521	FIRING PIN PLATE	1
6	ALL	00.621.2221	FIRING PIN BLOCK SPRING	1
7	ALL	00.621.2223	FIRING PIN BLOCKER 3.85	1
8	ALL	00.622.0529	FRONT SIGHT	1
9	ALL	00.622.0523	EXTRACTOR PIN	1
10	F 9x19	00.621.1205	EXTRACTOR 9x19	1
	FS 9x19			
	F .40S&W	00.621.2205	EXTRACTOR 40S&W	
	FS .40S&W			
	FS .45ACP			



#	MODEL	PART NUMBER	DESCRIPTION	QTY
11	ALL	00.621.1207	EXTRACTOR SPRING	1
12	ALL	00.621.1248	DRIFTED REAR SIGHT	1
13	ALL	00.621.1203	FIRING SPRING SPRING	1
14	F 9x19, F .40S&W, FS 9x19, FS .40S&W	00.621.2202	FIRING PIN (F models)	1
	FS .45ACP	00.621.2438	FIRING PIN .45ACP	
15	ALL	00.621.1346	TRIGGER BAR PLUNGER HEAD	1
16	ALL	00.621.1343	TRIGGER BAR PLUNGER SPRING	1
17	ALL	00.621.1344	TRIGGER BAR PLUNGER	1
18	ALL	00.621.1342	TRIGGER BAR PLUNGER SAFETY PIN	1
19	ALL	00.621.1306	SLIDE CATCH SPRING	1
20	ALL	00.621.1307	SLIDE CATCH SPRING PLUNGER	1
21	ALL	00.621.1308	TRIGGER SPRING	1
22	ALL	00.621.1351	TRIGGER	1



#	MODEL	PART NUMBER	DESCRIPTION	QTY
23	F 9x19, F .40S&W, FS 9x19, FS .40S&W	00.621.1352	TRIGGER BAR	1
	FS .45ACP	00.621.2436	TRIGGER BAR .45ACP	
24	ALL	00.621.1333	TRIGGER BAR PIVOT	3
25	ALL	00.622.1533	SEAR PIVOT	1
26	ALL	00.621.1363	SEAR SPRING	1
27	ALL	00.621.3361	SEAR HOUSING	1
28	ALL	00.621.3362	SEAR	1
29	ALL	00.621.1334	COCKING SEAR	1
30	F 9x19, F .40S&W, FS 9x19, FS .40S&W	00.621.1332	HAMMER STRUT	1
	FS .45ACP	00.622.1542	HAMMER ROD	



#	MODEL	PART NUMBER	DESCRIPTION	QTY
31	ALL	00.621.1331	HAMMER	1
32	ALL	00.621.1302	MAGAZINE CATCH	1
33	ALL	00.621.1304	MAGAZINE CATCH SPRING	1
34	ALL	00.621.1303	MAGAZINE CATCH PLUNGER	1
35	F 9x19, F .40S&W, FS 9x19, FS .40S&W	00.621.1322	RIGHT GRIP	1
	FS .45ACP	00.621.2427	RIGHT GRIP .45ACP	
36	ALL	00.621.1325	SERRATED LOCK WASHER	2
37	ALL	00.621.1324	GRIP SCREW, STEEL FRAME	2
38	F 9x19, F .40S&W, FS 9x19, FS .40S&W	00.621.1323	LEFT GRIP	1
	FS .45ACP	00.621.2428	LEFT GRIP .45ACP	

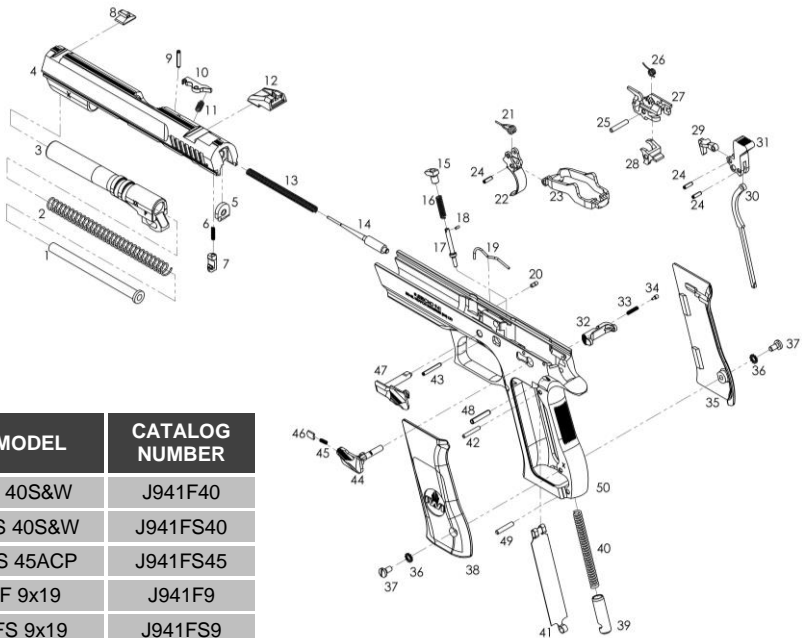


#	MODEL	PART NUMBER	DESCRIPTION	QTY
39	F 9x19, F .40S&W, FS 9x19, FS .40S&W	00.621.1310	HAMMER SPRING CUP	1
40	F 9x19, F .40S&W, FS 9x19, FS .40S&W	00.621.1309	HAMMER SPRING	1
	FS .45ACP	00.621.4209		
41	F 9x19, F .40S&W, FS 9x19, FS .40S&W	00.621.1312	MAGAZINE PLATE	1
42	F 9x19, F .40S&W, FS 9x19, FS .40S&W	00.621.1317	MAGAZINE PLATE PIN, STEEL FRAME	1





#	MODEL	PART NUMBER	DESCRIPTION	QTY
43	ALL	00.621.1313	TRIGGER PIN	1
44	ALL	00.621.3221	SAFETY LEVER	1
45	ALL	00.621.3223	SAFETY KNOCK SPRING	1
46	ALL	00.621.3222	SAFETY KNOCK	1
47	ALL	00.621.3205	SLIDE CATCH	1
48	ALL	00.621.1416	HAMMER PIN, STEEL FRAME	1
49	F 9x19, F .40S&W, FS 9x19, FS .40S&W	00.621.1311	HAMMER SPRING CUP PIN	1
50	F 9x19	00.621.3722	STEEL FRAME US MARKING	1
	F .40S&W			
	FS 9x19	00.621.3726	STEEL FRAME SHORT US MARKING	
	FS .40S&W			
FS .45ACP	00.621.2441	STEEL FRAME .45ACP SHORT US MARKING		



MODEL	CATALOG NUMBER
F 40S&W	J941F40
FS 40S&W	J941FS40
FS 45ACP	J941FS45
F 9x19	J941F9
FS 9x19	J941FS9



---

## Limited Product Warranty

1. This Warranty is given by "IWI US, Inc." solely to the original purchaser (the "Purchaser") of IWI US, Inc.'s JERICO® 941 SEMI-AUTOMATIC PISTOLS (the "Product") for a period of 5 years commencing from the date of Product retail purchase (the "Warranty Period").
2. Subject to the limitations and exclusions contained below, IWI US, Inc. warrants the Product to be free from defects in design, materials and workmanship. Consequently, should any failure to conform to this Warranty be discovered and brought to the attention of IWI US, Inc. during the Warranty Period, and be substantiated by examination at IWI US, Inc.'s facility or by duly authorized and certified field personnel on IWI US, Inc.'s behalf, IWI US, Inc., at its sole option and free of charge, shall either repair, replace or refund the purchase price of any non-conforming Product.
3. This Warranty shall only apply provided that:
  - 3.1. The Product has been transported and stored, handled, maintained, operated and used properly; all in accordance with IWI US, Inc.'s instructions found in this manual.
  - 3.2. No changes, repairs or services were made to the Product by any party other than IWI US, Inc. or an authorized representative of IWI US, Inc.
  - 3.3. The Product was not damaged as a result of improper operation, misuse (whether intentional or otherwise), abuse, negligence, accident or flood, fire, earthquake or other external causes.



- 3.4. Only appropriate, non-defective new commercial ammunition was fired from the Product.
- 3.5. The defective Product and/or defective parts shall have been returned by the Purchaser to IWI US, Inc. immediately upon request in conformance with IWI US, Inc.'s return procedures.
4. This Warranty does not apply to:
  - 4.1. Maintenance, repair or replacement of parts due to normal wear and tear.
  - 4.2. Expendable items such as batteries (including battery leaks), bulbs, cleaning supplies and other consumables.
  - 4.3. Any cosmetic damage that does not impede form, fit, and function of the Product.
  - 4.4. Products that show evidence of tampering.
  - 4.5. IWI US, Inc. does not warrant that the operation of the product will be uninterrupted, or error-free, or free of stoppages or malfunctions.
5. In the event a Product returned to IWI US, Inc. is not defective in design, materials or workmanship or not returned within the Warranty Period, a test and evaluation charge, as determined by IWI US, Inc. will apply.
6. IWI US, Inc. will be the sole determining evaluator and authority for adjudicating Warranty claims hereunder.



7. THE REPAIR, REPLACEMENT, OR REFUND AS PROVIDED HEREINABOVE IS THE SOLE AND EXCLUSIVE REMEDY OF THE PURCHASER, AND IS PROVIDED IN LIEU OF ALL OTHER WARRANTIES, EXPRESS OF IMPLIED, INCLUDING, WITHOUT LIMITATION, THE IMPLIED WARRANTIES OF MERCHANTABILITY, FITNESS FOR A PARTICULAR PURPOSE, NON-INFRINGEMENT, COURSE OF DEALING AND USAGE OF TRADE. IN NO EVENT SHALL IWI US, Inc. BE LIABLE TO PURCHASER, PURCHASER'S CUSTOMERS OR ANY THIRD PARTY, WHETHER IN CONTRACT OR TORT (INCLUDING NEGLIGENCE AND STRICT LIABILITY) FOR DAMAGES IN EXCESS OF THE PURCHASE PRICE OF THE PRODUCT, OR FOR ANY INDIRECT, INCIDENTAL, SPECIAL, PUNITIVE, OR CONSEQUENTIAL DAMAGES OR EXPENSES OF ANY KIND, OR PERSONAL INJURIES OR DAMAGE TO PROPERTY OF ANY KIND OR CHARACTER, OR LOSS OF REVENUE OR PROFITS, LOSS OF USE, LOSS OF BUSINESS, LOSS OF INFORMATION OR DATA OR OTHER FINANCIAL LOSS ARISING OUT OF OR IN CONNECTION WITH THE ABILITY OR INABILITY TO USE THE PRODUCT TO THE FULL EXTENT THESE DAMAGES MAY BE DISCLAIMED BY APPLICABLE LAW.
  
8. Some states do not allow the exclusion of consequential or incidental damages, so the above limitations may not apply to you.



## Repair Services

If you need assistance with your firearm, please call +1717-695-2081, Monday through Friday, 8:30AM to 4:30PM US Eastern time and ask to speak to Customer Service. If it is determined that shipment of your firearm to IWI US, or an authorized IWI US, Inc. Service Center is warranted, please prepare and ship as follows:

1. Request a Return Authorization number (RA#) from the IWI US, Inc. Customer Service Representative. Please note that IWI US, Inc. will refuse return/repair shipments without a RA#.
2. Record the serial number of your firearm before packing and shipping.
3. Check to make sure your firearm is unloaded.
4. Remove all accessories from the firearm to prevent loss or damage. IWI US, Inc. will not be responsible for any loss or damage to non-IWI US, Inc. firearms or accessories.
5. Pack your firearm in the original box. If the original box is not available, pack your firearm in a box that will protect it from any handling and/or shipping damage. Be sure that there are no markings and/or words on the outside of the box that indicate there is a firearm inside the box. This will help to deter theft of the firearm while in-transit to IWI US, Inc.



6. Enclose a letter with the firearm detailing the model name and serial number of your firearm along with a full description of the problem. Be sure to include your full name and street address city and state, including zip code, daytime telephone number and email address.
7. Ship your firearm by UPS, FedEx or USPS (US Postal Service). IWI US, Inc. is not responsible for damage or loss during shipment, so you may elect to purchase insurance from the carrier. Ship to the following address:

IWI US, Inc.  
Attn. Service Department  
RA# \_\_\_\_\_  
5480 Linglestown Road  
Harrisburg, PA 17112



**WARNING!**

**DO NOT SEND LIVE AMMUNITION OR SPENT (FIRED) SHELLS/CARTRIDGES IN YOUR FIREARM OR IN THE SAME BOX WITH YOUR FIREARM. THIS IS A VIOLATION OF FEDERAL LAW. IF YOU FEEL YOU MUST SEND SPENT (FIRED) SHELLS/CARTRIDGES, PLEASE SHIP THEM IN A SEPARATE PACKAGE AND INCLUDE A COPY OF THE LETTER THAT YOU PACKED WITH YOUR FIREARM.**



Copyright © 2015 by IWI US, Inc.

This document is the property of IWI US, Inc. IWI US, Inc. reserves the rights to this document and to the data/invention/content herein described. Any unauthorized use of the document may violate copyright, trademark, and other civil and criminal statutes and contractual rights.

In the interest of product improvement, design and performance characteristics may be changed at any time without prior notice.

English Edition Printing April 1, 2015



#### CARDINAL RULES OF FIREARMS SAFETY

- TREAT ALL GUNS AS IF THEY WERE LOADED.
- POINT THE MUZZLE IN A SAFE DIRECTION AT ALL TIMES. (A "SAFE DIRECTION" IS ONE IN WHICH NO ONE WOULD BE INJURED IF THE GUN WERE TO DISCHARGE.)
- KEEP YOUR FINGER OFF THE TRIGGER AND OUTSIDE THE TRIGGER GUARD UNTIL YOU ARE AIMED AT A SAFE TARGET AND INTEND TO FIRE.
- BE SURE OF YOUR TARGET AND WHAT'S AROUND AND BEYOND IT.
- WHEN YOU PICK UP A GUN THAT, EVEN FOR AN INSTANT, HAS BEEN OUT OF YOUR DIRECT, CONTINUOUS CONTROL, THE FIRST THING YOU MUST DO, WHILE FOLLOWING THE ABOVE RULES, IS TO OPEN THE GUN'S ACTION (MECHANISM) AND DETERMINE WHETHER OR NOT THE GUN IS LOADED.
- ALL GUNS LEFT UNATTENDED, EVEN BRIEFLY, MUST BE MADE INOPERABLE OR INACCESSIBLE TO CHILDREN AND OTHER UNAUTHORIZED USERS.

5480 Linglestown Road P. O. Box 126707 Harrisburg, PA 17112 USA  
Tel: +1717-695-2081 Fax: +1717-412-0873 Email: [service@iwi.us](mailto:service@iwi.us)

P/N: 08.011.08.15.00

© IWI US, Inc. 2015