

Technical Specifications and Markings



HK **G36** -K USA
HECKLER & KOCH

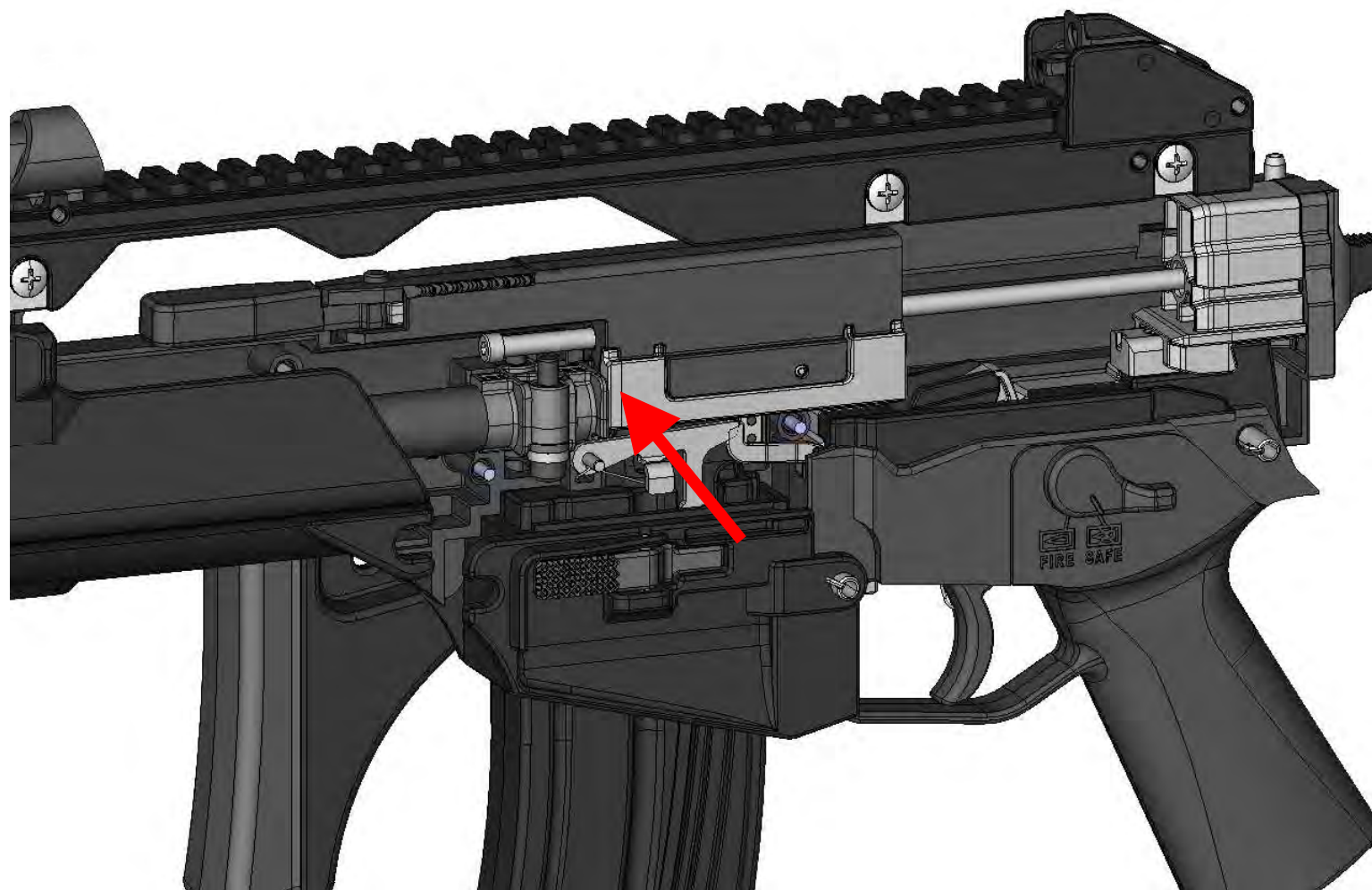
1. SPECIFICATIONS

2. MARKING

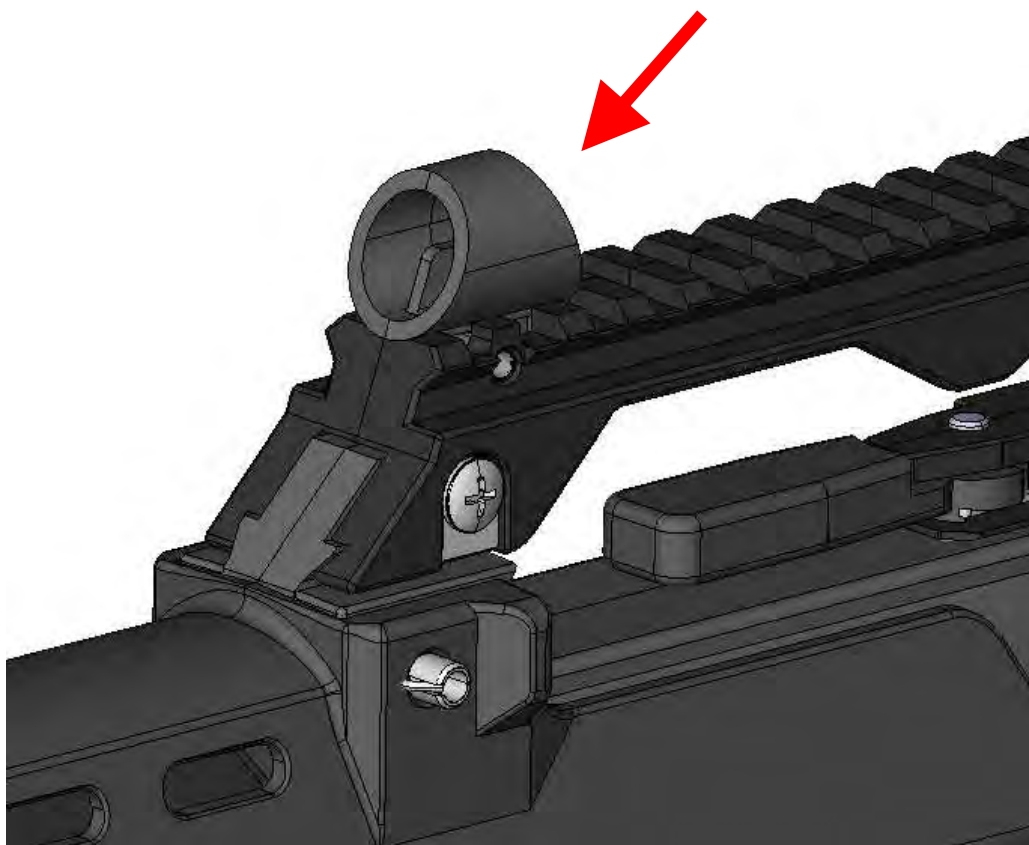
3. DISASSEMBLY

Technical Specifications

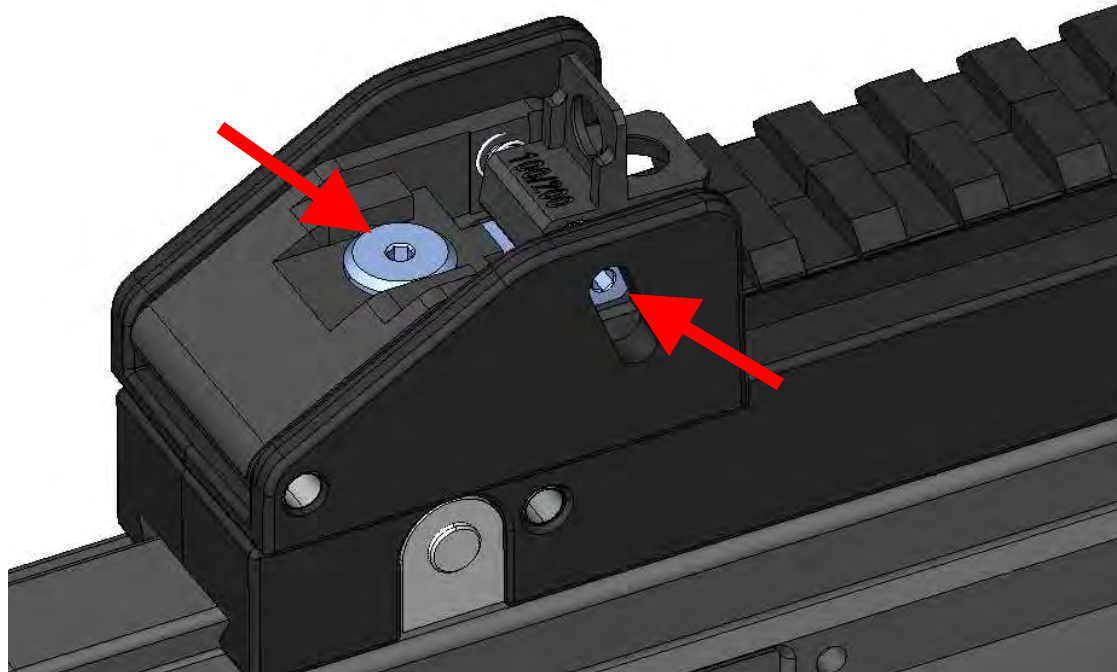
CALIBER:	.22 Long Rifle
WEIGHT WITHOUT MAG:	5.1 lb (2300g)
OVERALL LENGTH:	37.8" (960mm)
STOCK FOLDED:	28.2" (716mm)
BARREL LENGTH:	18.1" (460mm)
METHOD OF OPERATION:	Blowback Action
FLIP-UP FRONT SIGHT:	Fixed Front Sights
FLIP-UP REAR SIGHT:	Adjustable Rear Sights (Windage & Elevation)
SAFETIES:	External Safety
MAGAZINE CAPACITY:	10 / 20 / 30 Rounds



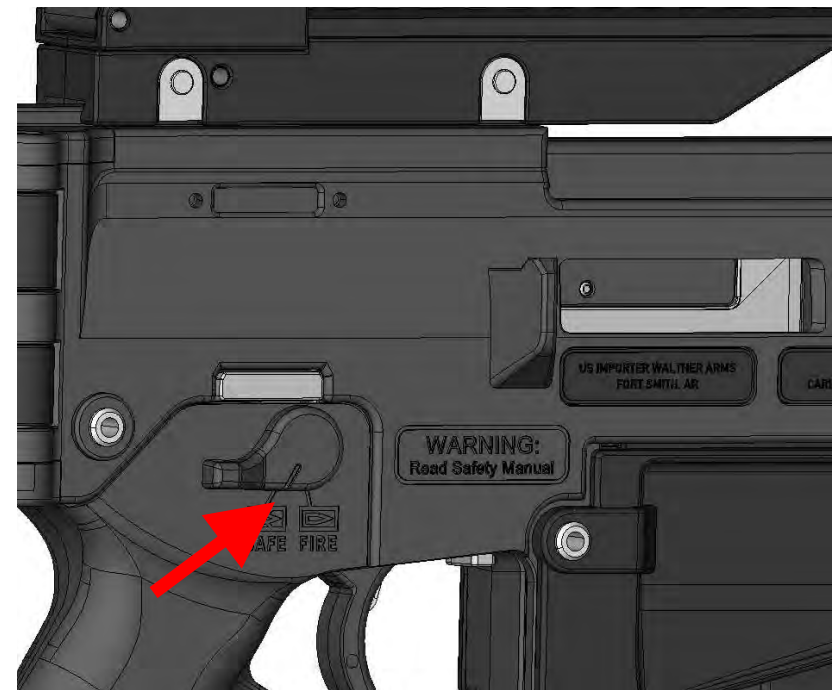
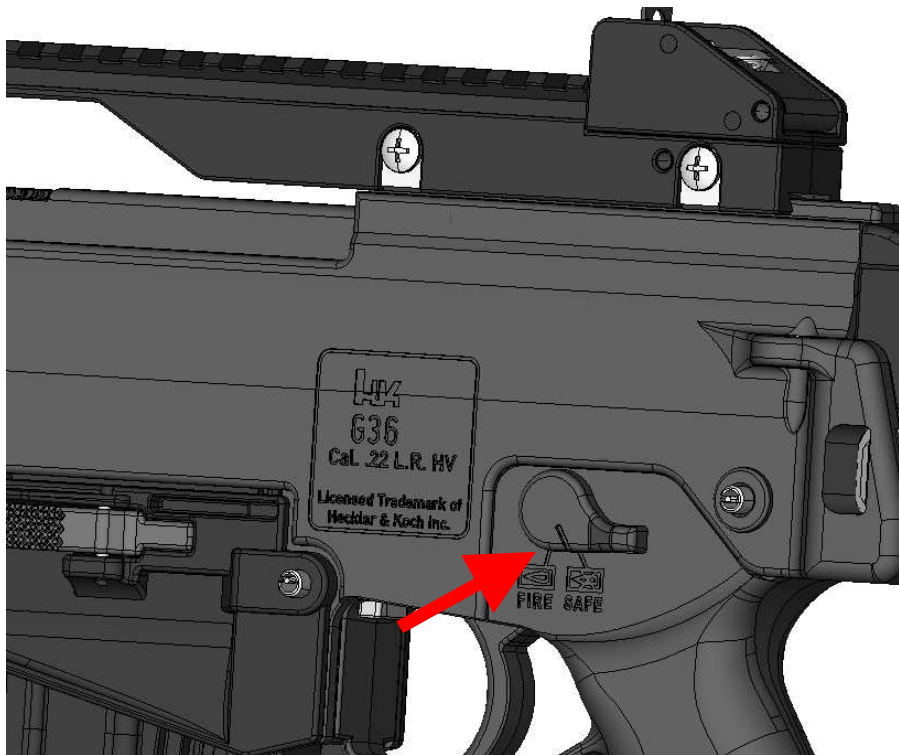
Blowback Action



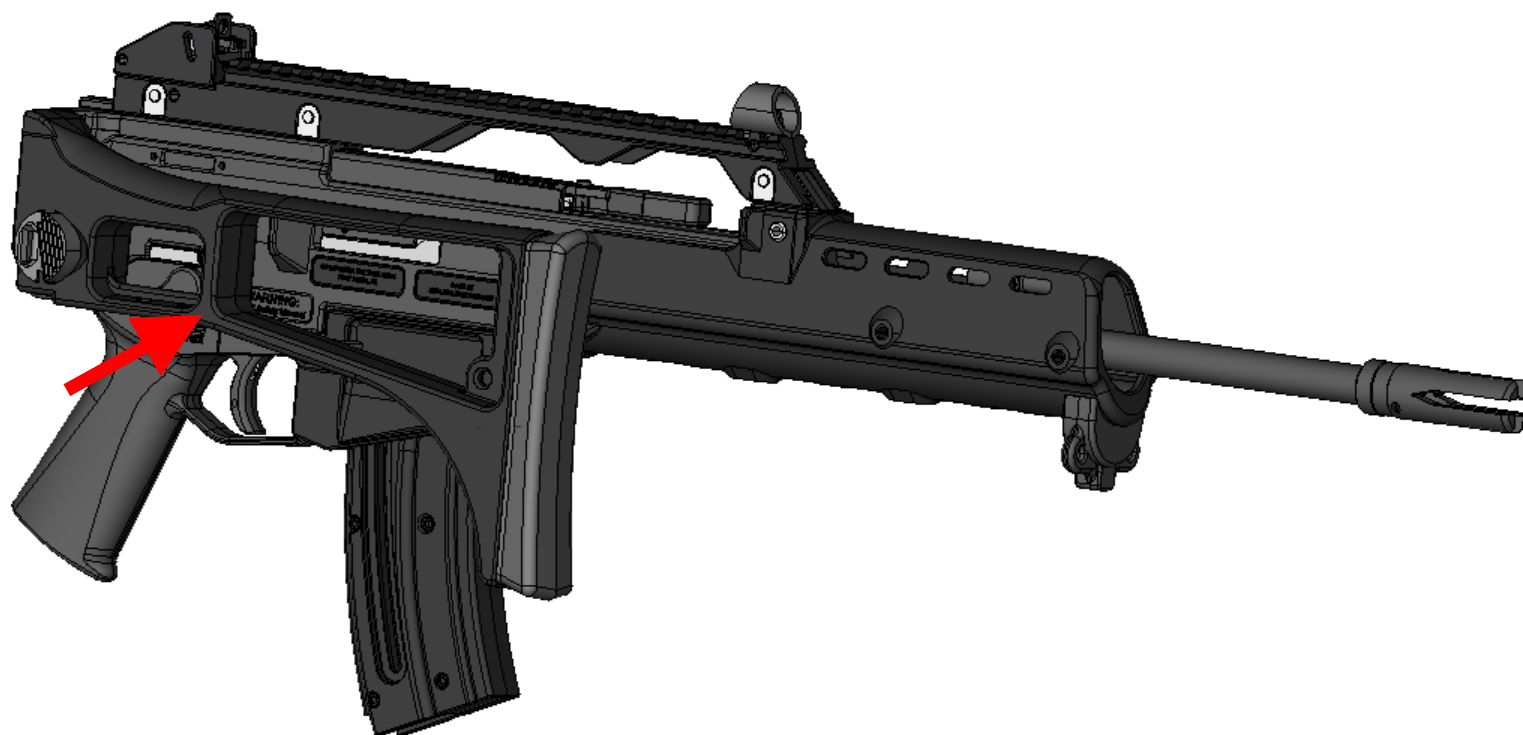
Fixed Front Sights



Adjustable Rear Sights (Windage & Elevation)



Ambidextrous External Safety (Two position)



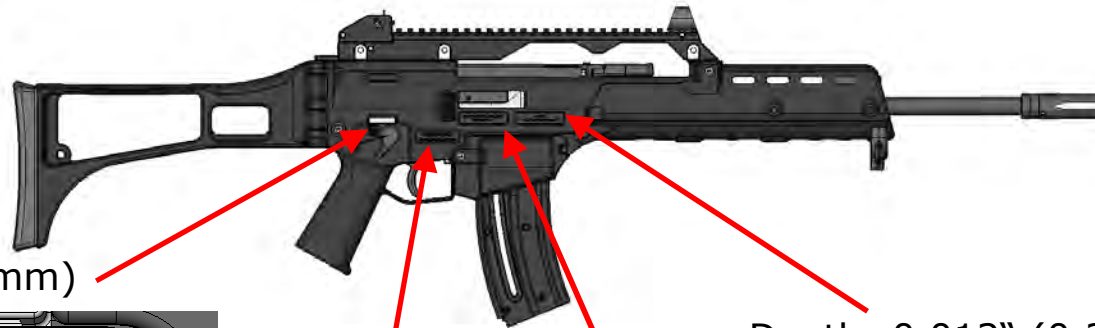
Folding Stock

1. SPECIFICATIONS

2. MARKING

3. DISASSEMBLY

Marking:



Depth: 0.012" (0.3mm)



Depth: 0.012" (0.3mm)



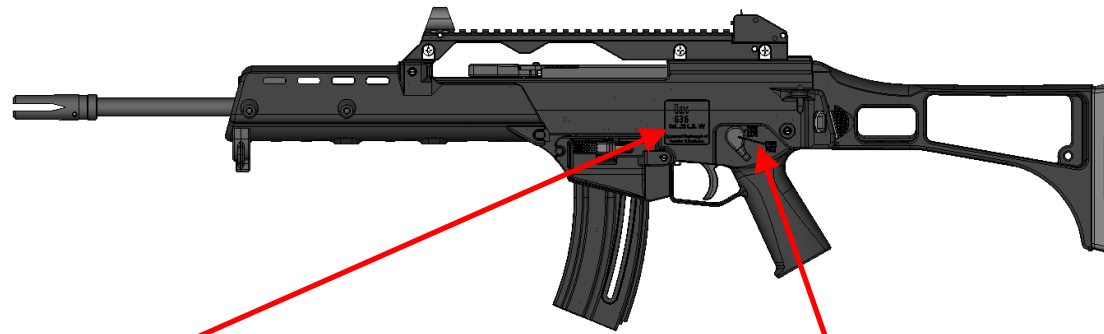
Depth: 0.012" (0.3mm)



Depth: 0.012" (0.3mm)



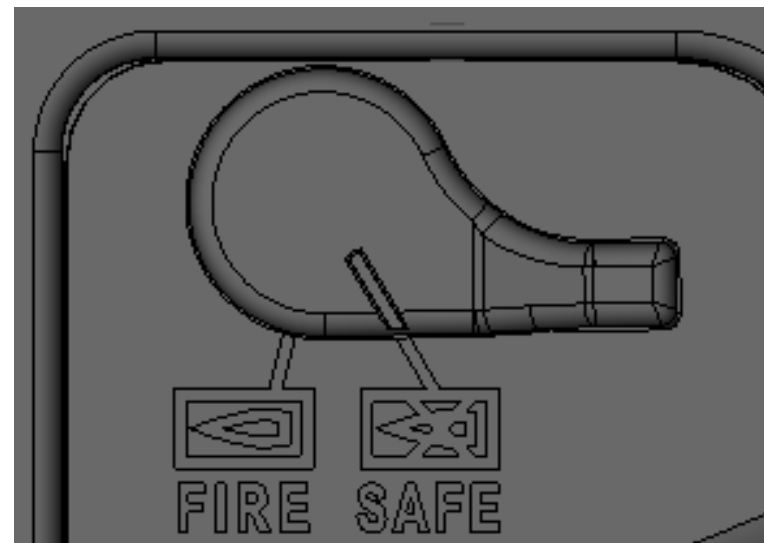
Marking:



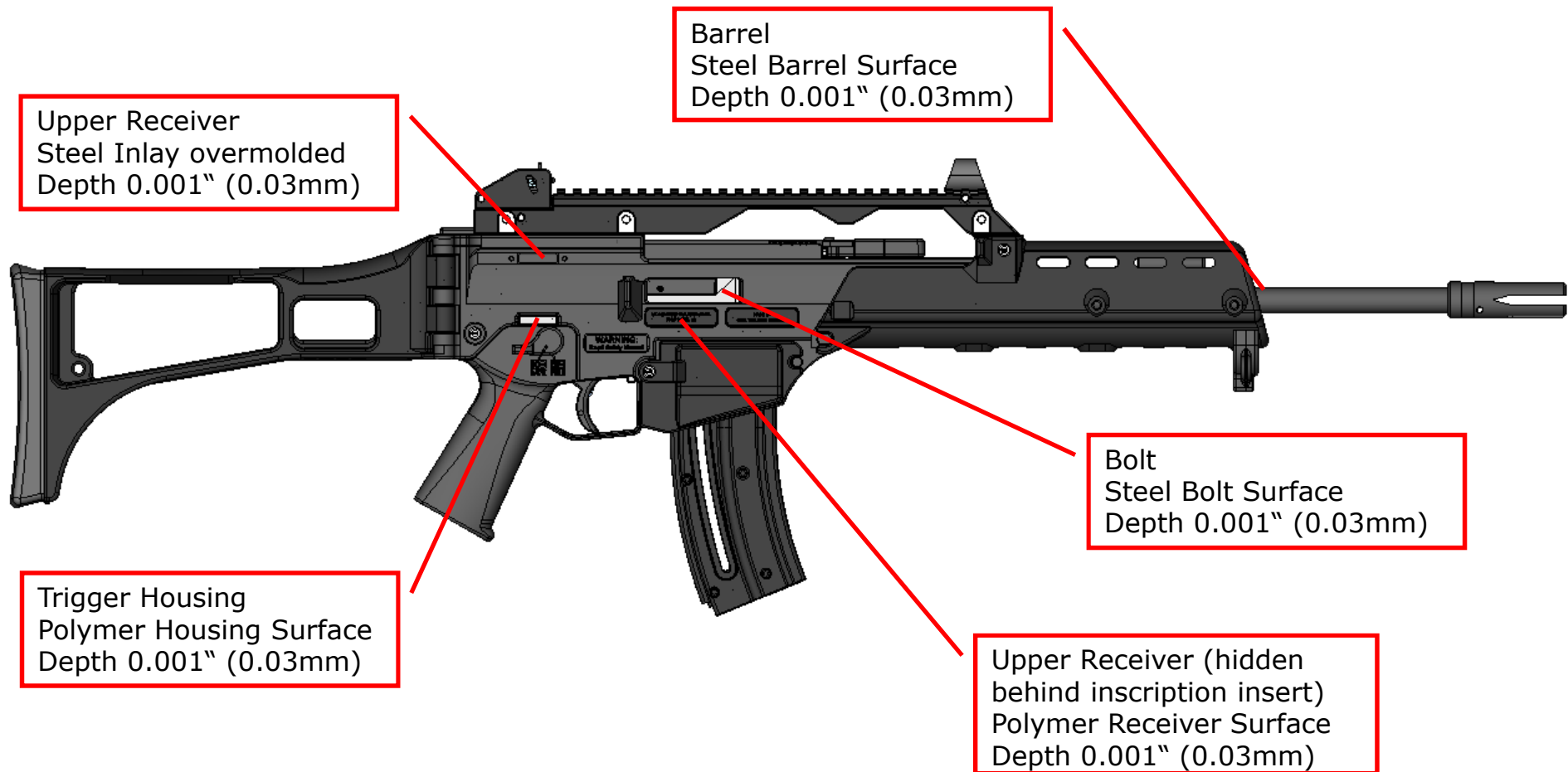
Depth: 0.012" (0.3mm)



Depth: 0.012" (0.3mm)



Serial Numbers:

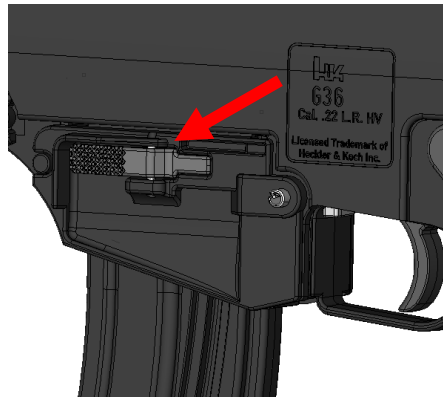


1. SPECIFICATIONS

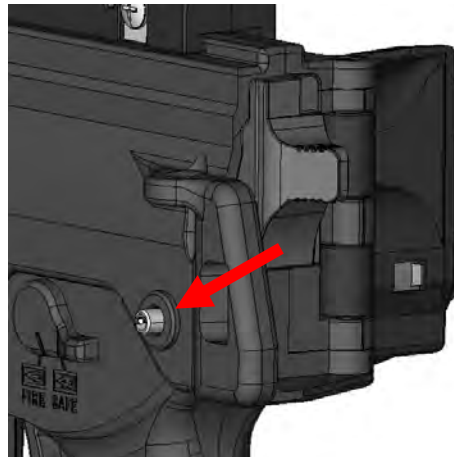
2. MARKING

3. DISASSEMBLY

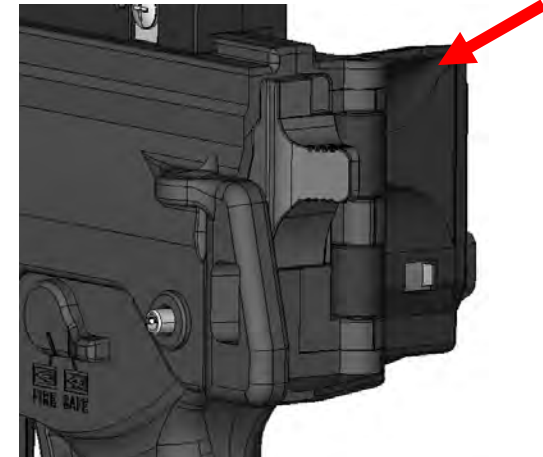
Disassembly:



Remove the magazin and check the chamber!

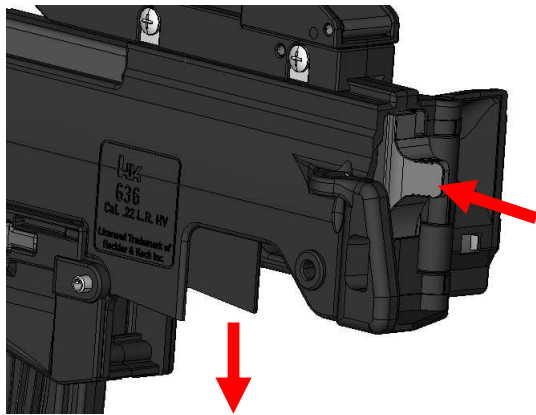


Take out the rear system pin by pushing it out of the receiver to the right.

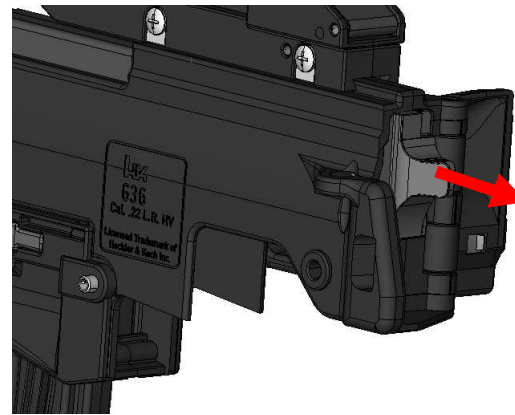


Push the buttstock locking button and fold the buttstock to the right.

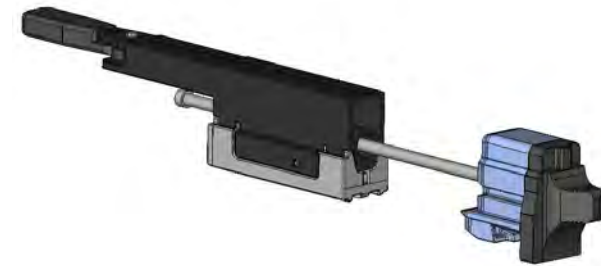
Disassembly:



Push the guiding rod block with your right hand into the upper receiver and slide the pistol grip out of the receiver body.



Grasp the guiding rod block and pull the bolt out of the upper receiver.



Finally separate the bolt group from the receiver group.



HK **G36** -K USA
HECKLER & KOCH

Walther Arms Inc.
7700 Chad Colley Boulevard
Fort Smith, AR 72916

Carl Walther Sportwaffen
GmbH & Co. KG
Donnerfeld 2
59757 Arnsberg - Germany