



BULLPUP TACTICAL  
SHOTGUN  
USER MANUAL



ARMSKON

## **FIREARM OWNER'S RECORD**

MODEL: ARMSKON- SERIAL# \_\_\_\_\_

DATE \_\_\_\_\_ PURCHASED, \_\_\_\_ \_\_ DATE

**IMPORTANT WARNING .... INFORMATION AND SPECIFICATIONS  
CONTAINED IN THIS MANUAL MAY CHANGE WITHOUT NOTIFICATION  
CARE AND MAINTENANCE OF YOUR ARMSKON SHOTGUN**

### **1) NEVER ALTER OR MODIFY YOUR SHOTGUN**

This shotgun was produced under specific manufacturer guidelines and should not be changed under ANY circumstances. Altering the trigger, mechanical components, safety mechanisms, or using any other products other than those provided in the original box is NOT RECOMMENDED by the manufacturer, and could result in death, bodily harm, or compromising your safety or the safety of others. Any alteration made to the firearm also voids the factory warranty.

### **2) PROPER CARE AND MAINTENANCE**

It is essential that regular maintenance and cleaning be performed to maintain the accuracy, function, and maximize the longevity of your firearm. Before cleaning ALWAYS perform a safety check to make sure that the firearm is unloaded prior to cleaning.

### **CONGRATULATIONS!!!!!!**

You are now the owner of the ARMSKON shotgun. Your shotgun has an innovative design and is manufactured from high quality materials. With regularly performed maintenance and the use of proper ammunition it will provide you with many years of service.

In order to achieve the best performance and reliability from your shotgun, please read and fully understand all of the instructions, safety guidelines, and warnings carefully in this manual. Your quality shotgun is enormously reliable and safe unless it is handled in a careless or irresponsible manner.

#### **REMEMBER....**

**IT IS IMPERATIVE THAT THE FIREARM HANDLER BE FULLY EDUCATED AND CONSCIOUS OF THE IMPORTANCE OF EXECUTING PROPER GUN SAFETY RULES WHEN OPERATING ANY FIREARM.**

Before using or firing with any live ammunition you should know and fully understand your shotgun's parts, function, and operating mechanisms. So carefully read and fully understand all of the information about the parts and procedures of using the shotgun safely and effectively.

**CARE AND MAINTENANCE OF YOUR ARMSKON SHOTGUN**

## A GUN OWNER'S RESPONSIBILITY

As the owner of a firearm you have the responsibility and obligation of ensuring that any and all shooting activities are safe for everyone. This requires your personal commitment to carefully read, fully understand, and exercise the principles of proper firearm safety at all times.

### DISCLAIMER

THE FIREARM IN WHICH THESE SAFETY RULES APPLY IS SOLD UNDER THE EXPRESSED CONDITIONS THAT THE MANUFACTURER ACCEPTS NO LIABILITY IN PART OR WHOLE FOR BODILY INJURY, DEATH, OR

**PROPERTY DAMAGE FROM:** IMPROPERLY OR CARELESSLY HANDLING THE FIREARM. USING DEFECTIVE, IMPROPER CALIBER, HAND-LOADED, OR RELOADED AMMUNITION. INADEQUATE MAINTENANCE OF THE SHOTGUN RESULTING IN CORROSION OR DAMAGE, NEGLIGENCE OF MALFUNCTIONS. RESALE IN CONTRADICTION OF ANY APPLICABLE LAWS OR REGULATIONS, ALTERING OR CONVERTING THE FIREARM'S ORIGINAL AESTHETIC, FUNCTIONING MECHANISMS, ACCESSORIES, OR MECHANICAL CONFIGURATION, DISCHARGING WITH CRIMINAL INTENT OR NEGLIGENCE. FAILURE TO UNDERSTAND, ADHERE TO, AND FOLLOW THE RULES OF FIREARM SAFETY WHEN USING OR HANDLING THE FIREARM.

OR ANY OTHER CIRCUMSTANCES OUTSIDE THE MANUFACTURER'S DIRECT OR IMMEDIATE CONTROL.

### FIREARM SAFETY

**IMPORTANT WARNING:** IT IS IMPORTANT FOR YOU TO RECEIVE PROPER TRAINING FROM A COMPETENT FIREARMS INSTRUCTOR OR AUTHORITY BEFORE BEGINNING TO SHOOT OR WHEN HANDLING THE FIREARM.

**IMPORTANT WARNING:** FAILURE TO ADHERE TO THE RULES OF FIREARM SAFETY CAN RESULT IN SERIOUS INJURY, DEATH, OR DESTRUCTION OF PROPERTY

- 1) COMPLETELY READ AND UNDERSTAND YOUR OWNER'S MANUAL GUIDELINES BEFORE USING YOUR FIREARM.**
- 2) ALWAYS LEARN THE SPECIFIC MECHANICAL AND HANDLING CHARACTERISTICS OF YOUR SHOTGUN.**
- 3) ALWAYS KEEP THE FIREARM UNLOADED UNTIL READY TO USE.**
- 4) ALWAYS KEEP YOUR FINGER OFF THE TRIGGER UNTIL YOU ARE READY TO SHOOT.**
- 5) ALWAYS KEEP THE GUN POINTED IN A SAFE DIRECTION.**
- 6) ALWAYS USE THE CORRECT AMMUNITION.**

- 7)** ALWAYS STORE YOUR FIREARM IN A SECURED STORAGE AREA TO PREVENT UNAUTHORIZED ACCESS OR USE FROM OTHER INDIVIDUALS.
- 8)** ALWAYS COMPLY WITH ALL LOCAL, STATE, AND FEDERAL LAWS THAT GOVERN THE OWNERSHIP, STORAGE, CARRYING, AND USE OF FIREARMS.
- 9)** ALWAYS KNOW YOUR TARGET AND WHAT IS BEYOND.
- 10)** ALWAYS WEAR EYE/ EAR/BODY PROTECTION.
- 11)** ALWAYS HANDLE WITH EXTREME CARE IF YOUR GUN FAILS TO FIRE WHEN THE TRIGGER IS PULLED.
- 12)** ALWAYS TREAT THE FIREARM AS IF IT WAS LOADED, EVEN IF THE SAFETY IS POSITIONED CORRECTLY AND KEEP YOUR FINGERS AWAY FROM THE TRIGGER WHEN LOADING AND UNLOADING.
- 13)** ALWAYS KEEP YOUR SHOTGUN IN THE SAME MECHANICAL AND STRUCTURAL CONFIGURATION AS IT WAS WHEN IT WAS MANUFACTURED.
- 14)** ALWAYS MAKE SURE THE BARREL IS CLEAR OF ANY OBSTRUCTIONS BEFORE SHOOTING.

## LOADING THE SHOTGUN

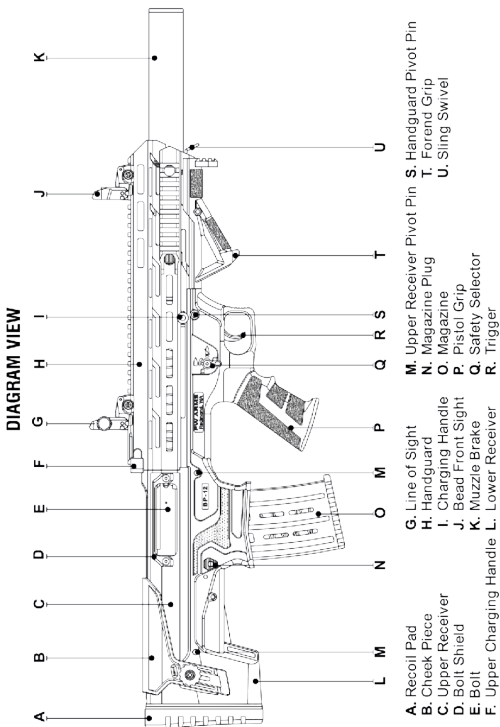
- 1)** First, point the shotgun in a safe direction. Remember, a safe direction means that the gun is pointed so that even if it were to go off, it would not cause injury, damage, or death. Always perform a safety check to make sure that the chamber is empty,
- 2)** When the magazine is empty, the bolt catch lever holds the bolt open at the rear. Press the magazine release to remove the empty magazine and insert a loaded magazine. Remember to only use ammunition that is recommended by the manufacturer.
- 3)** Push down the bolt catch lever with the thumb of the shooting hand and this will allow the bolt to move forward and chamber a round.

## THE SHOTGUN IS NOW LOADED AND READY TO FIRE!

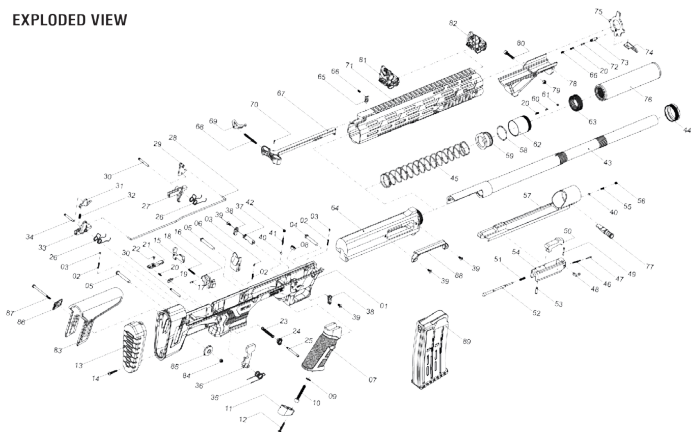
**IMPORTANT WARNING:** ALWAYS UNLOAD YOUR FIREARM IMMEDIATELY AFTER SHOOTING / UNLOADING THE SHOTGUN

- 1.** Point the shotgun in a safe direction. Remember, a safe direction means that the gun is pointed so that even if it were to go off, it would not cause injury, damage, or death.
- 2.** Keep your fingers off the trigger and remove the magazine.
- 3.** Pull back the charging handle one or more times to insure the chamber is empty. Watch for a live round or empty case to be ejected. Pull the charging handle fully rearward and lock the bolt with the bolt catch lever.

4. Make sure the last round in the chamber has been extracted and ejected. Visually and physically check the chamber and the magazine well to make sure the shotgun has been fully unloaded. Perform a safety check by physically inserting your index finger in the chamber to feel for the presence of a round or cartridge case in the chamber.



## EXPLODED VIEW



## PART LIST

- |   |  |                                    |
|---|--|------------------------------------|
| 1 Lower Receiver  | 31 Disconnecter                                | 61 Gas Block Adjust Pin Screw      |
| 2 Pivot Pin Spring (3 pieces)                               | 32 Disconnecter Spring                         | 62 Gas Block                       |
| 3 Pivot Pin Detent (3 pieces)                               | 33 Sear  | 63 Gas Block Adjust Screw          |
| 4 Handguard Pivot Pin                                       | 34 Sear Assembly Pin                           | 64 Upper Receiver                  |
| 5 Upper Receiver Pivot Pin (2 pieces)                       | 35 Hammer Spring                               | 65 Handguard Wedge                 |
| 6 Cartridge Carrier   | 36 Hammer                                      | 66 M4x6 Set Screw(2 pieces)        |
| 7 Pistol Grip   | 37 Safety                                      | 67 Upper Charging Handle           |
| 8 Pistol Grip Assembly Nut(M6 Fiber Nut)                    | 38 Safety Selector (2 pieces)                  | 68 Charging Handle Latch Spring    |
| 9 Pistol Grip Lock Washer                                   | 39 Safety Selector Screw(M4xHB Screw 4 pieces) | 69 Charging Handle Latch           |
| 10 Pistol Grip Screw (M6x35)                                | 40 Safety Charging Handle (2 pieces)           | 70 Charging Handle Latch Pin       |
| 11 Pistol Grip Cover  | 41 Safety                                      | 71 Handguard                       |
| 12 Pistol Grip Cover Screw                                  | 42 Safety Spring Screw                         | 72 Muzzle Brake Retaining Pin      |
| 13 Recoil Pad   | 43 Barrel                                      | 73 Muzzle Brake Retaining Pin Base |
| 14 Recoil Pad Screw   | 44 Barrel Assembly Nut                         | 74 Sling Swivel                    |
| 15 Bolt Catch   | 45 Recoil Spring                               | 75 Handguard Centering Cap         |
| 16 Bolt Catch Body  | 46 Extractor Pin                               | 76 Muzzle Brake                    |
| 17 Bolt Catch Pin   | 47 Extractor Spring Pin                        | 77 Charging Handle                 |
| 18 Bolt Catch Spring  | 48 Extractor                                   | 78 Forend Grip                     |
| 19 Magazine Catch Base                                      | 49 Extractor Retaining Pin                     | 79 M5 Nut                          |
| 20 Magazine Catch Gas Block Muzzle Brake Spring (3 pieces)* | 50 Locking Block                               | 80 M5x25 Screw Nut                 |
| 21 Magazine Catch   | 51 Firing Pin Spring                           | 81 Line of Sight                   |
| 22 Magazine Catch Pin                                       | 52 Firing Pin                                  | 82 Bead Front Sight                |
| 23 Magazine Plug Spring                                     | 53 Firing Pin Stop                             | 83 Cheek Piece                     |
| 24 Magazine Plug  | 54 Bolt  | 84 M4 Fiber Nut                    |
| 25 Magazine Plug Screw                                      | 55 Charging Handle Bearing Spring              | 85 Cheek Piece Setting Plug        |
| 26 Trigger-Sear Spring (2 pieces)                           | 56 Charging Handle Bearing Screw               | 86 Cheek Piece Setting Plug Nut    |
| 27 Trigger  | 57 Bolt Handle                                 | 87 M4x55 Screw                     |
| 28 Trigger Catch Shaft                                      | 58 Piston Ring                                 | 88 Bolt Shield                     |
| 29 Trigger Catch  | 59 Piston                                      | 89 Magazine                        |
| 30 Trigger-Hammer Assembly Pin(2 pieces)                    | 60 Gas Block Adjust Pin                        |                                    |

## SHOTGUN DISASSEMBLY INSTRUCTIONS MANUFACTURERS WARNING:

THIS MANUFACTURED FIREARM WAS DESIGNED TO PERFORM WITH ITS ORIGINAL PARTS. IT IS YOUR RESPONSIBILITY TO MAKE SURE THAT ANY PARTS YOU BUY ARE AUTHENTIC AND CORRECTLY INSTALLED AND THAT THE PARTS HAVE NOT BEEN ALTERED OR CHANGED. IT IS IMPERATIVE THAT ONLY FACTORY PARTS BE USED AS REPLACEMENTS TO ASSURE THAT THE FIREARM REMAINS FUNCTIONALLY SAFE AND OPERATES ACCURATELY. THE GUN OWNER ACCEPTS FULL RESPONSIBILITY FOR THE CORRECT REASSEMBLY AND FUNCTIONING OF THE FIREARM AFTER ANY DISASSEMBLY OR REPLACEMENT OF PARTS.



1) Use the Safety Selector to put the gun into safe mode. There are two Safety Selectors, one on the right and one on the left. Before this operation, make sure the gun is unloaded and point the firearm in a safe direction



2) Use the Magazine Plug on the right side of the firearm or use the Magazine Catch on the left side of the firearm to take out the Magazine



3) Take out the Cheek Piece Setting Plug and Cheek Piece Setting Plug Nut



4) Pull the Upper Receiver Pivot Pins and Handguard Pivot Pin to take out



5) Separate the Upper Receiver from the Lower Receiver



6) Take out the Muzzle Brake by turning counter-clockwise



7) Take out the Handguard



8) Take out the Gas Block Adjust Screw by turning counter-clockwise and take out the Gas Block by turning clockwise





9) Take out the Barrel Assembly Nut by turning counter-clockwise



10) Separate the Barrel from the Upper Receiver

### **WARRANTY**

The manufacturer provides to the original retail purchaser a LIMITED WARRANTY for a period of one (1) year from the date of purchase against defects in material or workmanship. It will be the discretion of the manufacturer and importer as to whether the parts/labor or replacement will result in a charge to the consumer. The importer or manufacturer has the right to research, inspect, and test the weapon to assess any claim made under the warranty.

**WARRANTY EXCLUSIONS** The warranty is VOID if the firearm has been altered, abused, misused, damaged by accident, fired with hand loaded or reloaded ammunition, obstructions in the barrel, or damage due to failure to provide regular and necessary maintenance. Also this warranty is VOID if any unauthorized repair or alteration is performed on the firearm.







ARMSKON

+90 (850) 840 37 59

[www.armskon.com](http://www.armskon.com)

Konya/TURKEY

[info@armskon.com](mailto:info@armskon.com)