

**ISSC MSR**

**Straight Pull  
Action**

**SPA 17/22**



Handling and Safety Instructions

## **Important instructions for the use of firearms**

**It should be remembered that even the safest gun is potentially dangerous to you and others when it is not properly handled.**

**Always bear in mind:**

- Keep your finger away from the trigger unless you really intend to fire.**
- Always keep your weapon pointing in a safe direction so that you and others cannot be endangered.**
- First of all read and understand the operating instructions and learn how the weapon works and is to be handled.**
- Always treat an unloaded weapon as if it was loaded.**

<b>Description:</b>	<b>Section</b>	<b>Page</b>
Product description	D-01	03
Safety regulations	D-01-1	04
Technical data	D-01-2	05
Safety mechanism	D-02	06
Transporting the gun	D-03	06
Handling the gun	D-04	07
General	D-04-1	07
Ammunition	D-04-2	07
Loading the magazine	D-04-3-1	08
Engaging the magazine	D-04-3-2	08
Loading the gun (ready for firing)	D-04-4	09
Firing	D-04-5	10
Reloading during firing	D-04-6	11
Unloading the gun	D-04-7	12
Decocking the gun	D-04-8	13
Mounting the cocking lever	D-05	14
Gun maintenance / Disassembling for cleaning	D-06 / D-06-01	15
Cleaning the gun	D-06-2	16
Gun assembly	D-06-3	17
Care of the gun	D-06-4	18
Trouble shooting, fault removal	D-06-5	19
Safekeeping and storage of gun	D-06-6	20
Shipping the gun	D-06-7	20
Disposal	D-06-8	21
Accessories	D-06-9	21
Main parts	D-07	22
Explosion drawings / spare part list	D-07-01	23-27

## D-01: Product Description:

Dear valued customer,

Congratulations on your purchase of the  
**ISSC SPA - Straight Pull Action - rifle.**

In order to create your personal gun, please ask your dealer for the available line of accessories.

### Manufacturer contact:

ISSC Handels GmbH

Furt 43

AT-4754 Andrichsfurt

Austria

Tel.: 0043-7750-38426

Fax: 0043-7750-38426-60

email: [office@issc.at](mailto:office@issc.at) | website: [www.issc.at](http://www.issc.at)

## D-01-1: General instructions / Safety regulations

- Never use the gun under the influence of drugs or alcohol, while ill or suffering other such difficulties. These conditions can impair your powers of judgement and reflexes.
- Always think the gun as being loaded and with the safety off until you have established the opposite through the unloading procedure.
- Always keep the muzzle of the gun in a safe direction with all handling. A safe direction is towards an area where there are no people, other life forms or property that is not a recognized target.
- Never point the gun at doors, panes of glass, walls, concrete, stone or flat surfaces (water included). A bullet can penetrate such surfaces or be ricocheted in an unsafe direction.
- Never aim at yourself or other life forms.
- Never rely on safety mechanisms alone. Safety mechanisms are not a substitute for careful, correct and secure handling of the gun.
- Always treat your gun as if the safety mechanisms were not functioning. The best safety precaution is a correct, well-trained and safe handling of the gun.
- Never shoot with a gun which has been penetrated by water, sand, dirt or other foreign bodies.
- Never decock the hammer by holding on to the hammer and pulling the trigger at the same time.
- Never let a loaded gun out of your hand.
- Always unload the gun immediately after firing, before putting the gun away, putting into a holster or handing to another authorized person.
- Never give the gun to a person who has not thoroughly familiarized himself or herself with the safety instructions and handling of gun, by reading the corresponding instructions.
- Never leave the gun lying unattended and protect the gun from unauthorized access.
- Never store the gun loaded, but rather remove the magazine and ensure that no cartridge is left in the chamber of the barrel.
- Always keep the gun and the ammunition separate from one another, and ensure that neither is obtained by unauthorized persons or children.

## D-01-2: Technical Data:

Stock version:	Polycarbonate	wood
Caliber	.17 HMR / 22 Long Rifle HV / .22 WMR <i>find the correct caliber on the gun</i>	.17 HMR / 22 Long Rifle HV / .22 WMR <i>find the correct caliber on the gun</i>
Overall length	980m	985mm
Overall height	165mm	155mm
Overall width	44mm	45mm
Barrel length	510mm	510mm
Rifling length	229/406/406	229/406/406
Number of grooves	6	6
Weight without magazine	2,27kg / 2,34kg	2,22kg / 2,29kg
Magazine weight empty	50Gramm / 60Gramm	50Gramm / 60Gramm
Magazine capacity / rounds	10	10

Included in the  
delivery are:

- 1 x Rifle
- 1 x Magazine
- 1 x Handbook

## D-02: Safety mechanism:

### Engaging manual safety:

Push the manual safety lever to the back position until the red marking on the trigger is covered (see figure 1). The safety is now engaged.

To disengage the safety pull the safety lever to the front position until the red marking is visible. The weapon now is ready to fire (see figure 2).

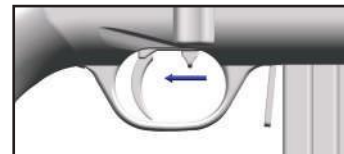


figure 1

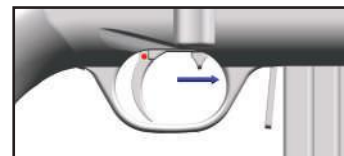


figure 2

## D-03: Transporting the rifle:

For your own safety and the safety of others, always transport the gun unloaded and decocked. Never carry a gun with you that has already been cocked and which has a round in the chamber. Transport the gun separate from the ammunition. Ensure that all applicable laws governing the transport of firearms are complied with.

## D-04: Handling the gun:

### D-04-1: General:

The gun is generally delivered preserved with a thin, protective grease and oil coating.

### D-04-2: Ammunition:

For your gun, use only commercial grade ammunition in its original packing which corresponds with the caliber of the gun. The correct caliber is imprinted on the gun.

Never use reloaded, „refurbished“or hand-loaded ammunition.

Never use non standard ammunition or ammunition of a different caliber.



## D-04-3-1: Loading the magazine:

### Procedure:

1. Put the cartridge on the feeder, near the magazine feed lips (figure 3).
2. Push the bullet down and to the backside of the magazine (figure 3).
3. Load only the quantity of bullets into the magazine, you want to fire (max. 10 bullets).

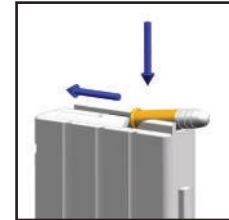


figure 3

## D-04-3-2: Inserting the magazine in the gun:

### Procedure:

1. Insert the magazine in the magazine tray and ensure that it is fully engaged (figure 4).
2. To release the magazine push the magazine release lever and take out the magazine (figure 5).

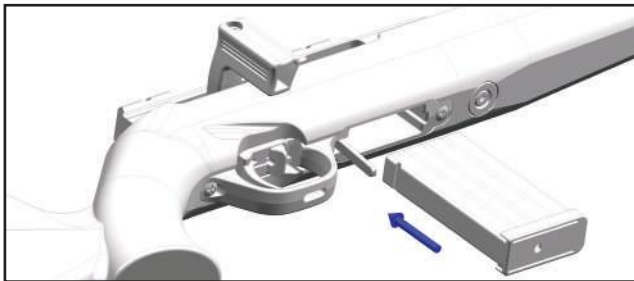


figure 4

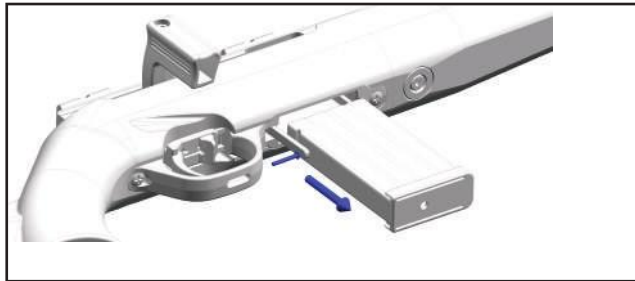


figure 5

### D-04-4: Loading the gun (ready for firing):

#### Notice:

The safety lever should always be in the back position (safe). Never load or reload the gun in a vehicle, a room or another small area (except a shooting range). Before loading always wipe off an excess grease and oil and check to see if there are any foreign objects/material in the barrel.

Always keep the muzzle of the gun pointed in a safe direction.

Do not put your finger on the trigger. Keep your finger outside the trigger guard. Load the gun by pushing in the magazine only directly before firing.

Pull the cocking lever back and push it forward to load the first bullet. Never rely on the safety mechanisms alone.

**Safety mechanism is no substitute for careful and correct handling of the gun.**

Never let a loaded gun out of your hand.

#### Procedure:

1. Point the gun in a safe direction.
2. Insert loaded magazine and ensure that it is fully engaged (figure 4).
3. Pull the cocking lever back and push it forward to load the first round (figure 6).
4. Put the safety lever to the front position (fire). The gun is now cocked and ready for firing.

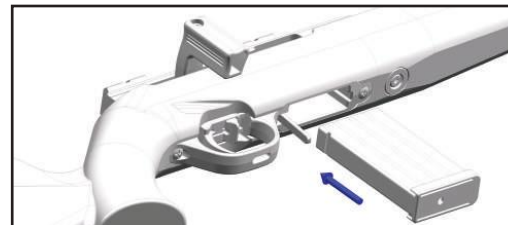


figure 4



figure 6

## D-04-5: Firing:

1. Ensure that the target and surroundings allow shots to be fired without danger.
2. Be certain that your fingers, hands or other parts of the body are not in front of, above or beside the barrel muzzle or the ejection port during firing.
3. Never allow any person to stand next to you where they could be hit by ejected cartridge cases.
4. When shooting, always wear ear protection and protective eye glasses.  
Inform other people close to you about the need to wear ear protection.
5. Interrupt shooting immediately and unload the gun if you suspect that a round is not inserted correctly, a case is jammed, a round may have blocked the barrel or a shot sounds or gives the impression that it may be “weak” or unusual.
6. Never try to dislodge a blockage by firing another round.

**Important:** During firing hold the gun with the **handguard** and **not with the magazine!**  
Holding the gun with the magazine can cause malfunctions!

## D-04-6: Reloading during firing:

After the last shot the system stays closed.

### **Notice:**

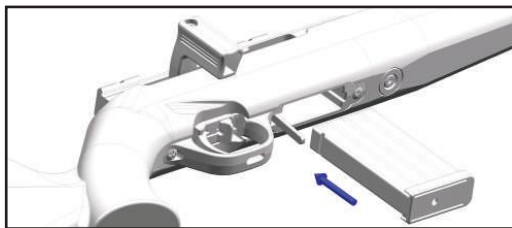
Put the safety lever in the back position (safe).  
Never let the gun out of your hand.  
Keep the gun in a safe direction.  
Remove the finger from the trigger.

### **Procedure:**

1. Remove the empty magazine (figure 5).
2. Insert full magazine and ensure that is fully engaged (figure 4).
3. Pull the cocking lever back and push it forward to load the next round (figure 6).
4. The rifle is reloaded and cocked.
5. Push the safety lever in the front position (fire). The gun is ready for firing .



**figure 5**



**figure 4**



**figure 6**

## D-04-7: Unloading the gun

### **Notice:**

Never let the gun out of your hand before it is unloaded.  
When the gun is loaded, a round is in the chamber.  
Never place your hand over the slide opening.

### **Procedure:**

1. Put the safety lever in the back (safe) position.
2. Press the magazine release button to remove the magazine (figure 5 page 8).
3. Keep the muzzle of the gun in a safe direction.
4. Pull the cocking lever back until it stops and hold it in this position.  
The bullet is hereby ejected (figure 6A).
5. Check (visually and manually with appropriate aid) to ensure that the round has been ejected and that there is no more round in the chamber (figure 7).
6. Push the cocking lever forwards to close the system.
7. Empty the magazine.

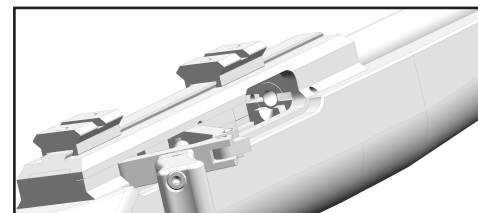
**Important: The gun is now unloaded, but not decocked!**

**Never pull the trigger if an empty magazine is inserted and if there is no cartridge in the chamber.**  
Dry firing will cause damage on the chamber.

8. Decock the rifle. **See section D-04-8.**



**figure 6A**



**figure 7**

## D-04-8: Decocking the rifle:

### Notice:

**Never pull the trigger if an empty magazine is inserted and if there is no cartridge in the chamber.**

Dry firing will cause damage on the chamber.

### Procedure:

1. When you are sure that there is no cartridge in the chamber or in the barrel, remove the empty magazine (figure 5 page 8).
2. Pull the cocking lever to the back position and hold it there (figure 6A - page 12).
3. Push the safety to the front position (fire).
4. Pull the trigger and hold it while closing the system by pushing the cocking lever forward.
5. Close the system (figure 6B).
5. The Rifle is now decocked.
6. Turn the safety lever in back position (safe).

### Important:

**When you push back the cocking lever after this procedure and push it forward again, the gun is cocked again!**

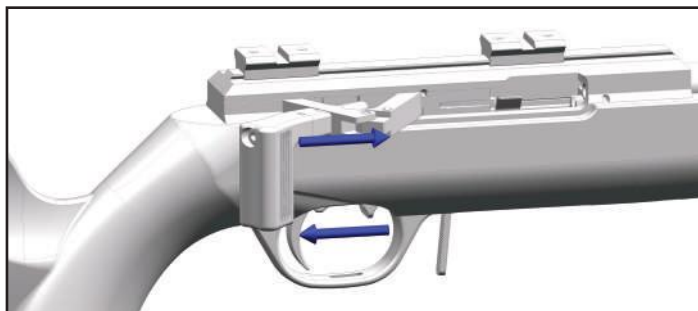


figure 6B

## D-05: Mounting the cocking lever:

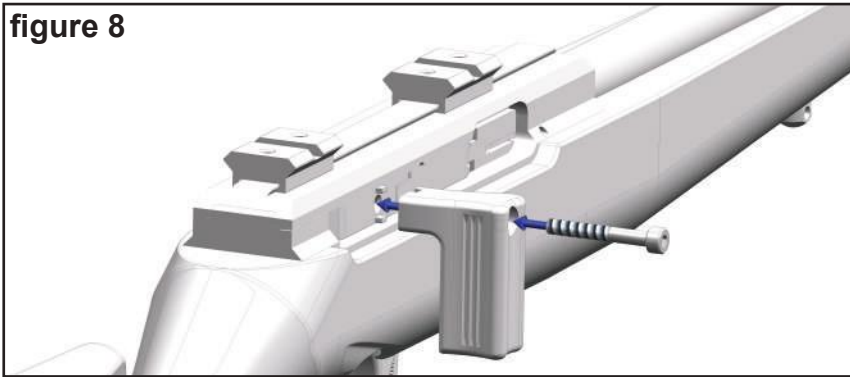
Before you can use the gun you have to mount the cocking lever.

You can mount the cocking lever with the adaptor or without. With the adaptor mounted you will have more ejection force. This is recommended for .17HMR calibers.

### To mount the cocking lever proceed as follows:

1. Put the cocking lever to it's position. Use the adaptor if you want to.
2. Screw the cocking lever to the system by using the delivered screw AA.
3. **Don't use to much force.** The screw and the thread could be destroyed.
4. Check if the cocking lever is tighten. If it feels loose use a little bit more force to screw it on.

figure 8



### D-06: Maintenance:

#### D-06-1: Disassembling for cleaning:

##### Procedure:

1. Check, if the gun is decocked and unloaded.
2. Ensure that the chamber is empty.
3. Turn the gun upside down (figure 9).
4. Remove the system screws. You can now take out the system from the stock (figure 10).
5. Remove the disassembling screw at the back and disassemble the bush (figure 11).

You can now take out the system to the back of the housing (figure 12).

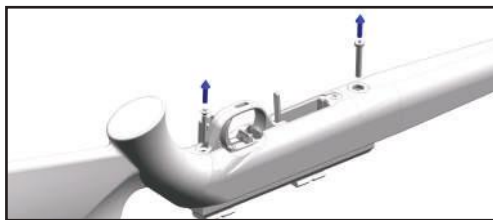


figure 9

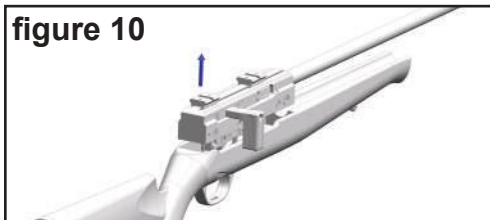


figure 10

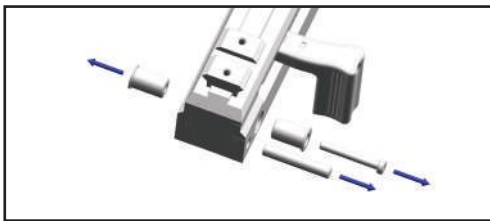


figure 11

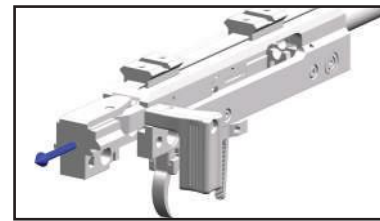


figure 12

##### **Important notice:**

We do not recommend that you disassemble your gun further. The cleaning can be done without further disassembling.



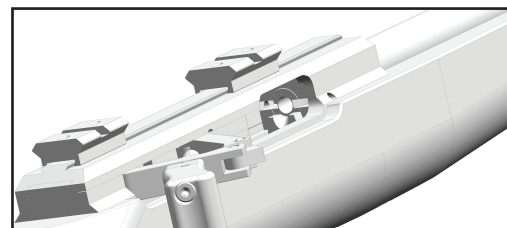
## D-06-2: Cleaning:

### **Notice:**

The previous disassembly instruction is sufficient for cleaning.  
A further disassembling of the rifle should only to be made by a gunsmith.  
Do not use a steel brush or any other hard material to clean the barrel.  
This could damage the flat surface of the barrel.  
Use only a suitable cleaning rod and brushes of the right caliber.  
Thinner could damage the surface of the rifle. Before using any cleaner  
or thinner please note the advice of the manufacturer of that cleaner or thinner.

### **Procedure:**

1. Lubricate the cleaning brush with gun oil and insert it into the barrel via the chamber. Use the brush to carefully remove all powder residues and dirt in the barrel and chamber (figure 7).
2. Wipe powder residues and oil from the barrel bore and chamber with cleaning patches.
3. Remove dirt from guides of breech and breech-block with a brush or a cleaning patch and than wipe down with a cloth impregnated with gun oil or gun grease.
4. Oil the chamber lightly.



**figure 7**

### D-06-3: Assembling the gun:

#### Procedure:

1. Check if the gun is decocked and unloaded.
2. Ensure that the chamber is empty.
3. Put the system in the housing and push in the bushing. Fix the system in the housing by screwing in the bushing screw. **Don't use to much force.** The screw and the system could be destroyed (figure 14+15).
3. Turn the gun upside down (figure 16).
4. Put the system in the stock and fix it by screwing in the system screws. **Don't use to much force.** The screw and the system could be destroyed.
5. Check if the system is fixed properly in the stock. If not use a little more power to screw it in the stock until it doesn't hang loose.

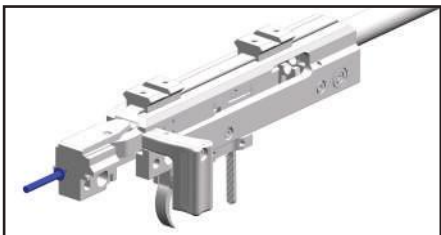


figure 14

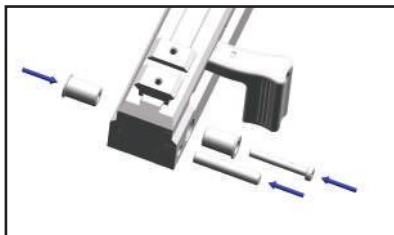


figure 15

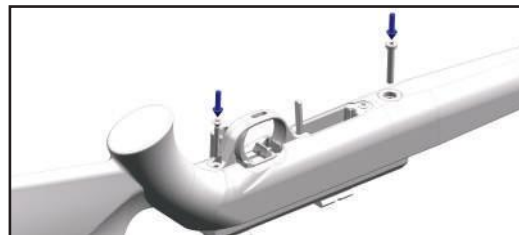


figure 16

## D-06-4: Care of the gun:

### **Notice:**

Always keep your gun in immaculate condition and in good working order.

Always clean your gun after use.

Never modify or repair parts of your gun yourself.

Have your gun checked once every 12 months by a qualified gunsmith or armourer because defects, wear, corrosion, etc. are not always visible from the outside.

For repairs or service work, however, we recommend that you return the gun to your dealer / importer who always holds a full range of replacement parts in stock.

If you order spare parts without returning the gun, you are responsible for ordering the correct part and its correct fitting by a qualified gunmaker or armourer.

## D-06-5: Trouble shooting, fault removal:

Gun maintenance (cleaning and inspection) according to the instructions can prevent malfunctions. Should nevertheless a malfunction occur during shooting, proceed as follows:

### **Notice:**

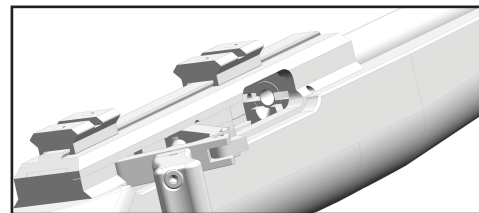
Hold the gun pointed in the firing direction (safe direction) and keep your finger off trigger while you carry out the operations described in the following.

### **Procedure:**

1. Remove the magazine.
2. Pull the cocking lever back until it stops and hold it in this position (figure 6A).
3. Verify (visually or with a tool) that there is no bullet, round, case or foreign body in the barrel bore or chamber (figure 7).
4. If a projectile is locked in the bore, strip the rifle and have the blockage removed with a suitable tool by qualified gunsmith.
5. Remove all rounds, cases or foreign bodies.
6. Clean, lubricate and assemble the rifle.
7. Decock the rifle.
8. Have the gun inspected by a gunsmith or armourer.



**figure 6A**



**figure 7**

## D-06-6: Safekeeping and storage of the gun:

### **Warning:**

- Always store your gun unloaded and in cleaned condition.
- Store your gun separately from its ammunition and under lock and key.
- The gun and ammunition must not be accessible to children and other inexperienced or unauthorized persons.

## D-06-7: Shipping the gun to ISSC:

### **Important notice:**

The ISSC website has instructions for returning a gun for service. ISSC will not accept any gun without prior authorization.

## **D-06-8: Disposal:**

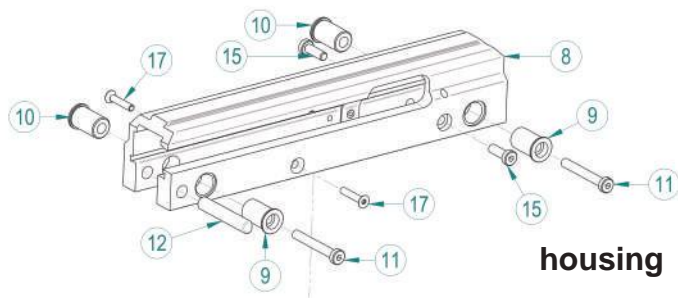
- Strictly observe any current national legislation governing the disposal of handguns.
- When shipping the gun, strictly observe the instructions listed under Sect. D-06-7

## **D-06-9: Accessories: (available under: [www.issc.at](http://www.issc.at))**

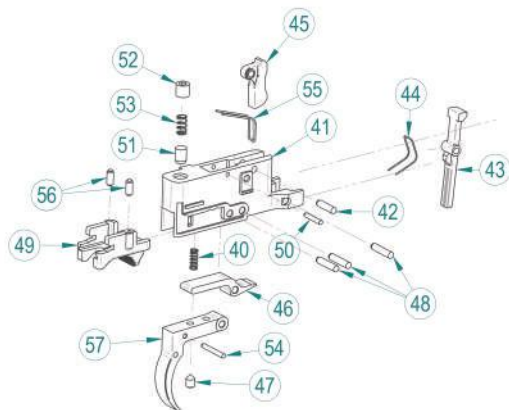
Essential information when ordering accessories or spare parts from your dealer/service department in your country.

- Gun model (caliber, designation)
- Gun serial number
- Item number and index

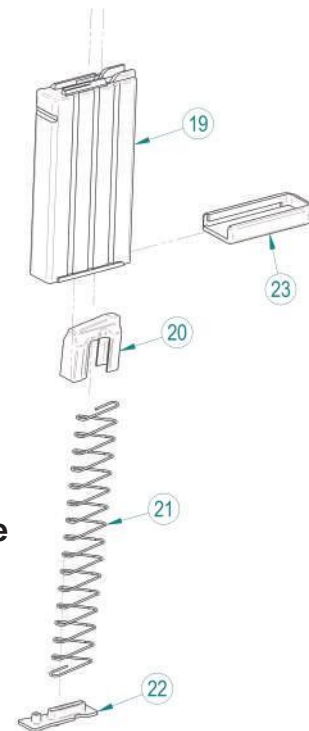
## D-07: Main parts / Assembly groups:



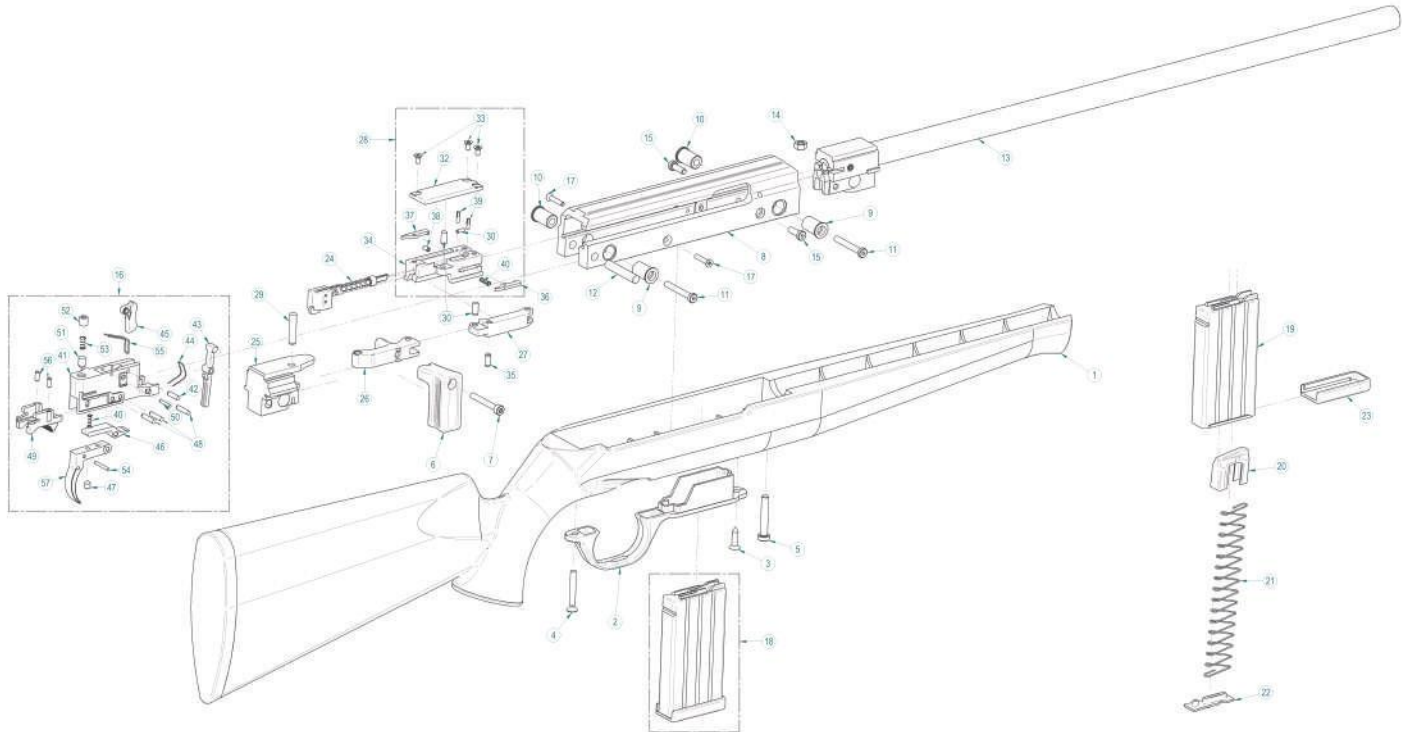
trigger



magazine



## D-07-01: Explosion drawing / Spare parts MSR SPA:





## D-07-01: Explosion drawing / Spare parts MSR SPA:

number	quantity	part number	description
1	1	1125317	plastic stock
1	1	1125316	wood stock
2	1	1125170	trigger haousing
3	1	1125297	screw DIN 7983-H 4,2x16
4	1	1125293	screw ISO 2010 M4x30
5	1	1125304	screw DIN 7984 M5x30
6	1	1125163	cocking lever .22lr
6	1	1125336	cocking lever .17HMR & .22WMR
7	1	1125301	screw ISO 4762 M4x30
8*	1	1126038	housing .22lr
8*	1	1126039	housing .17HMR & .22WMR
9	2	1125281	bushing
10	2	1125280	bushing
11	2	1125300	screw DIN 7984 M4x30
12	1	1125287	brad
13*	1	1126035	barrel .22lr with bracket
13*	1	1126036	barrel .17HMR with bracket
13*	1	1126077	barrel .22WMR with bracket
14	1	1125166	nut M5 DIN 934

### D-07-01: Explosion drawing / Spare parts MSR SPA:

15	2	1125303	screw DIN 7984 M4x12
16	1	1126045	trigger unit
17	2	1125290	screw DIN 7991 M3x16
18	1	512001	magazine .17HMR
18	1	512002	magazine .22lr
18	1	512003	magazine .22WMR
19	1	1125202	magazine body .22WMR
19	1	1125206	magazine body .22lr
19	1	1125208	magazine body .17HMR
20	1	1125203	feeder .17HMR & .22WMR
20	1	1125207	feeder .22lr
21	1	1125347	magazine spring .22lr
21	1	1126070	magazine spring .17HMR & .22WMR
22	1	1125205	magazine butt plate
23	1	1125204	magazine butt plate holder
24	1	1126046	firing pin .22lr
24	1	1126114	firing pin .17HMR
24	1	1126115	firing pin .22WMR
25*	1	1126028	end block
26*	1	1125175	bent lever

### D-07-01: Explosion drawing / Spare parts MSR SPA:

27*	1	1125174	bent lever
28*	1	1126047	block 22 assembly
28*	1	1126069	block .17HMR & .22WMR assembly
29	1	1125298	pin DIN 6325 5m6x24
30	2	1125337	pin ähnl. DIN 6325 4,06m6x10
31	1	1156019	return spring
32	1	1125165	cover (with 3x No. 33)
33	3	1172047	screw DIN 7991 M3x6
34*	1	1125173	block .22lr
34*	1	1155145	block .17HMR & .22WMR
35	1	1125305	spring loaded pressure piece
36	1	1125339	extractor SPA
37	1	1125286	extractor holding SPA
38	1	367808	extractor holding spring SPA
39	2	1125285	pin DIN 1472 2x8
40	1	1125311	extractor spring SPA
41*	1	1125153	trigger housing
42	1	1125156	pin DIN 6325 3m6x12
43	1	1125272	magazine holder

## D-07-01: Explosion drawing / Spare parts MSR SPA:

44	1	1125171	spring for magazine holder
45*	1	1125242	bolt catch
46*	1	1125243	trigger sear
47*	1	1125309	threaded pin DIN 914 M4x6
48	3	1125294	pin DIN 6325 3m6x14
49	1	1125240	safety slide SPA
50	1	1125155	pin DIN 6325 2m6x12
51	1	1125295	pin DIN 6325 5m6x8
52	1	1125158	threaded pin DIN 916 M6x6
53	1	1125159	return spring trigger
40	1	1125311	extractor spring SPA
54	1	382132	pin DIN 6325 2m6x16
55	1	1126062	spring for bolt catch
56	2	1125307	spring loaded pressure piece

parts marked with „\*“ aren` t available separately

## **Important instructions for the use of firearms**

**It should be remembered that even the safest gun is potentially dangerous to you and others when it is not properly handled.**

**Always bear in mind:**

- Keep your finger away from the trigger unless you really intend to fire.**
- Always keep your weapon pointing in a safe direction so that you and others cannot be endangered.**
- First of all read and understand the operating instructions and learn how the weapon works and is to be handled.**
- Always treat an unloaded weapon as if it was loaded.**

# ISSC MSR

Straight Pull  
Action

# SPA 17/22

**Manufacturer:**

ISSC Handels GmbH

Furt 43

AT-4754 Andrichsfurt

Austria

[www.issc.at](http://www.issc.at)

[office@issc.at](mailto:office@issc.at)

