



**HUNT GROUP**  
INTERNATIONAL ARMS & SECURITY

**USER  
MANUAL**

**SEMI AUTOMATIC SHOTGUN  
INSTRUCTION MANUAL**

**READ THE INSTRUCTIONS AND  
WARNINGS IN THIS MANUAL CAREFULLY  
BEFORE USING THIS FIREARM**

# QUALITY CONTROL - WARRANTY CARD

Serial No. of weapon \_\_\_\_\_ Model \_\_\_\_\_

Manufacturer \_\_\_\_\_

Caliber \_\_\_\_\_ Year of manufacture \_\_\_\_\_ Barrel Length \_\_\_\_\_

Number of Cartridges and grams of cartridges tested \_\_\_\_\_

Chamber details \_\_\_\_\_

PURCHASER \_\_\_\_\_

Address \_\_\_\_\_

Purchase date \_\_\_\_\_

Signature \_\_\_\_\_

PLEASE SIGN AND RETURN THIS CARD TO VALIDATE WARRANTY



***HUNT GROUP***

INTERNATIONAL ARMS & SECURITY

**SEMI AUTOMATIC  
SHOTGUN**



## **GUN SAFETY RULES**

Observe these rules of safe gun handling.

- 1.** Always keep the muzzle pointed in a safe direction. Watch the muzzle at all times: never point a gun, accidentally or intentionally, at any person or anything you do not intend to shoot. Identify the target before shooting; do not shoot at sounds.
- 2.** Always treat any gun as if it is loaded - it may be!
- 3.** Keep your finger off the trigger while operating the action and at all other times until you are ready to shoot.
- 4.** Keep the safety "on" or in the "safe" position at all times until you are ready to fire the gun.

Do not rely on your gun's safety, the safety on any gun is a mechanical device and is not intended as a substitute for common sense or safe gun handling.

- 5.** Learn how your gun functions and handles. If you do not thoroughly understand the proper use and care of your gun, seek the advice of some one who is knowledgeable.
- 6.** Do not alter or modify and parts of a firearm.
- 7.** Store guns unloaded, separate from any ammunition, and where children cannot get to them.
- 8.** Be sure the barrel is clear of any obstructions before loading. Make it a habit to check the barrel every time before loading.
- 9.** Be sure you have and use the proper ammunition. A 20 gauge shell will enter a 12 gauge chamber far enough so that a 12 gauge shell can be loaded behind it. Also, a 3 inch shell may fit into a 2 3/4 inch chamber, but the crimp at the mouth of the shell will unfold into the forcing cone. If either of these things occur and you fire the gun, the gun will explode, damaging the gun and possibly causing serious injury or death to you and those around you.
- 10.** Wear protective shooting glasses and adequate ear protection when shooting.
- 11.** Never climb or jump over anything, such as a tree, fence, or ditch, with a loaded gun. Open the barrel, remove the shells, and hand over the gun to a friend



or place it on the ground on the other side of the obstacle. Do not lean a gun against a tree or other object; it could fall and possibly discharge.

**12.** Do not shoot at a hard surface or at water. Bullet and shot can bounce in unpredictable directions with great velocity.

**13.** Never transport a loaded gun. Do not place a loaded gun into a vehicle. The gun should be unloaded and placed into a case when not in use.

**14.** Never drink alcoholic beverages before or during shooting.

### **INTRODUCTION TO HUNT GROUP ARMS**

Established in 1992, Hunt Group Arms is one of the most well known firearms manufacturer and exporter in Turkey. Our export activities started in 2008, aiming to establish one of the biggest shotgun sales network in the World. We have been manufacturing and exporting variety of firearms combining modern technology and innovation.

On one hand, we are manufacturing and exporting semi automatic (inertia), magazine fed semi automatic, pump action, magazine fed pump action, over&under, side by side, single barrel shotguns in different qualities and standards. On the other hand, we are able to supply variety of tactical shotguns to areas like European countries, USA, Middle East, Asia and South America.

Our motto is: "providing our clients high quality standards with affordable prices". This principle is Hunt Group International Arms & Security Company's main philosophy and distinctiveness.

### **ABOUT YOUR SEMI—AUTOMATIC SHOTGUN**

Your Hunt Group Arms shotgun is gas operated. The gas created from firing a live shot shell operates the action. Once the first shell has been fired, the next shell in the magazine will automatically cycle into the chamber, and this cycle will continue (each time the trigger is pulled) until all shells loaded in the magazine have been fired. The bolt will remain locked in the open position after the last shell is fired.

Technologically advanced gas operating system allows you to shoot 2 3/4" and 3" shells interchangeably with any ammunition of the proper gauge for your shotgun with flawless performance. This and other fine features ensure that your shotgun will be a source of pride and pleasure.



## SAFETY SWITCH OR BUTTON

The safety is designed to stop the trigger mechanism.

**DON'T RELY ON YOUR GUN'S SAFETY. TREAT EVERY GUN AS IF IT WERE LOADED AND READY TO FIRE.** The safety on any gun is a mechanical device, and it is not intended as a substitute for common sense or safe gun handling. Always keep the muzzle pointed in a safe direction.

**A.** The safety is located behind the trigger, and provides protection against accidental or unintentional discharge under normal usage when properly handled.

**B.** To engage the safety, push the button so that it protrudes from the right side of the gun and the RED BAND MARKING CAN NOT BE SEEN. The safety should always be in the "on" or "safe" position until you intend to fire the gun (photo I).

**C.** When you are ready to fire the gun, press the safety button to the "off" or "fire" position, so that the safety protrudes from the left side of the gun and the **RED BAND MARKING IS SHOWING.**



**DANGER:** The gun will fire when the trigger is pulled intentionally or accidentally when the **RED BAND MARKING IS SHOWING.**



To assemble the gun, follow the steps below:

Unscrew the cap (photo 3) and remove the forend (photo 4).

Pull the bolt hanging latch placed on the rear side of the carrier (photo 5).

Assemble the barrel while centering the magazine and the receiver (photo 6).

Reassemble the forend (photo 7) and screw the cap onto the threaded magazine tube (photo 8).





## LOADING YOUR SHOTGUN

You can load your shotgun in the following ways:

**1.** Be certain the safety is in the "on" or "safe" position (see section regarding operation of the safety on pages 3 and 4).

Draw or pull the bolt rearward until it locks in the open position (photo 12). Place a shell into the breach (photo 9). Release the bolt by pressing the button located toward the front of the receiver (photo 10). This chambers a round, and the gun will fire if the trigger is pulled with the safety in the "off" or "fire" position. You can then load additional shells into the magazine by inserting them through the loading port on the bottom of the receiver and pushing them into the magazine(photo11).

**2.** Be certain the safety is in the "on" or "safe" position (see section regarding operation of the safety on pages 3 and 4).

Draw or pull the bolt rearward until it locks in the open position (photo 12). Load shells into the magazine by inserting them through the loading port on



the bottom of the receiver and pushing them into the magazine (photo 11). Push back the magazine shell latch on the rear side of the carrier (photo 13). This allows the shell to exit the magazine and move onto the carrier. Release the bolt by pressing the button located toward the front of the receiver (photo 10). This chambers around, and the gun will fire if the trigger is pulled with the safety in the "off" or "fire" position.



Be certain the safety is in "on" or "safe" position (see the section regarding operation of the safety on pages 3 and 4.) Rapidly draw or pull the bolt rearward to eject any shell in the chamber (photo 12). Lock the bolt open by pressing the button located toward the front of the receiver (photo 13). Lift the carrier and push on the magazine shell latch (photo 14). The shells in the magazine will be ejected.



### **DISASSEMBLY**

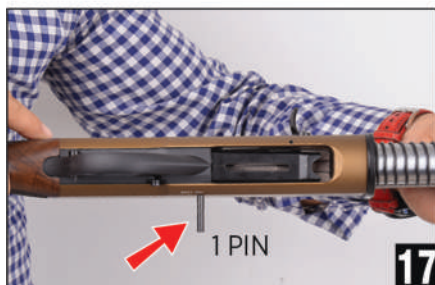
Unscrew the forend cap.

Take the forend and the barrel off(photo 15).

Take the handle off from the bolt and then all the bolt assembly (photo 16).

With a tool, push the pins of the trigger group out (photo 17) and take the trigger group off(photo 18).





### **REASSEMBLY**

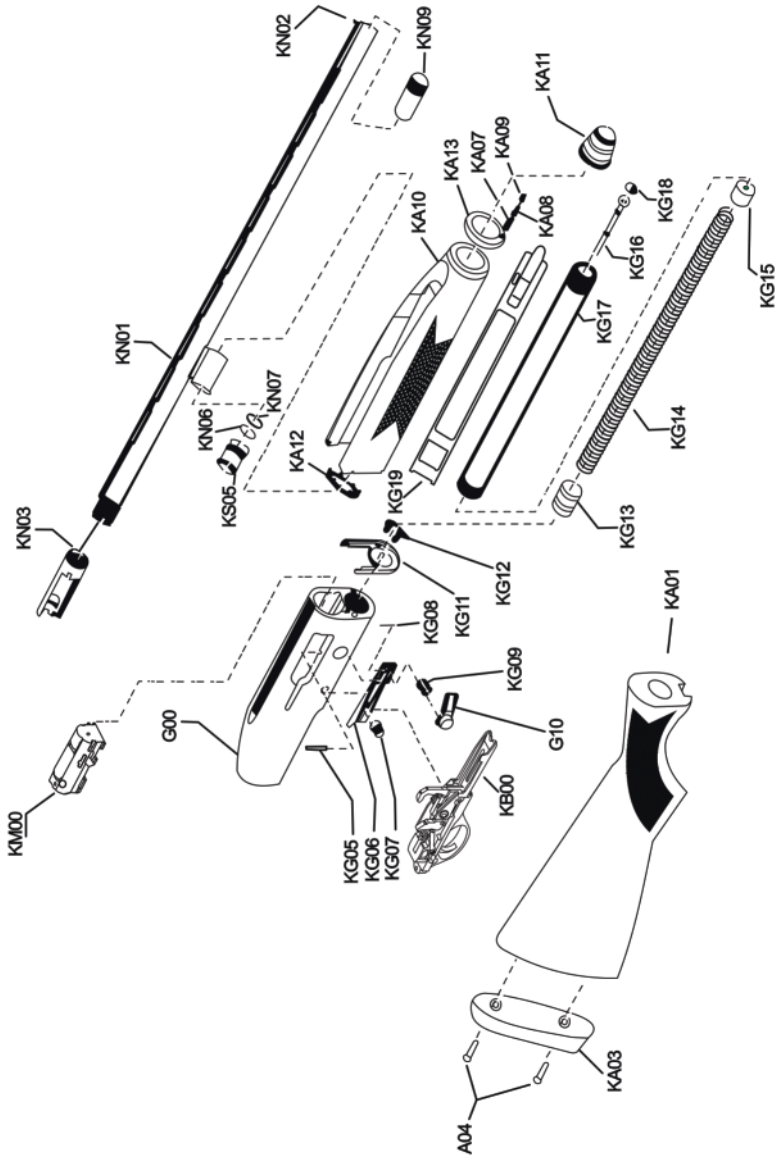
Assemble on the magazine tube, the action spring and insert the bolt group into the receiver.

Insert the handle into its hole.

Reassemble the trigger group fixing it with the pins.



**GENERAL ASSEMBLY**





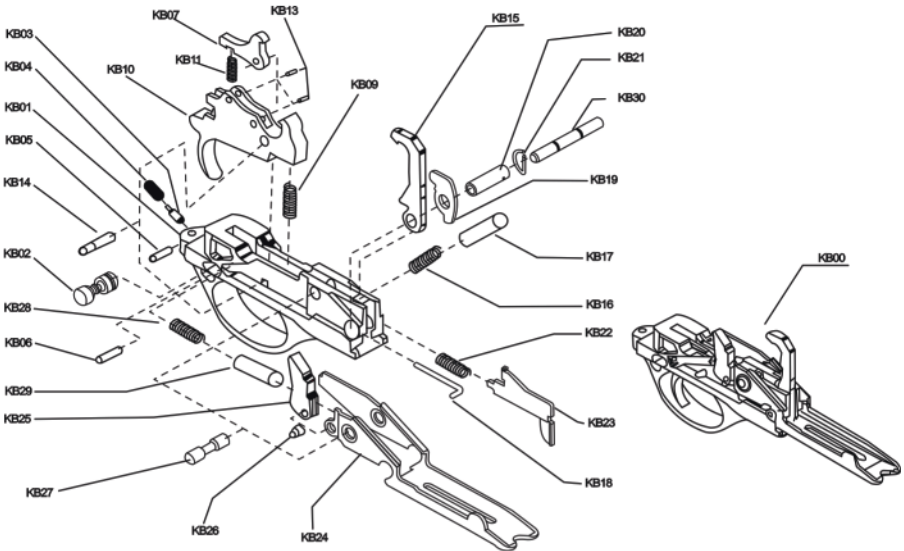


**12 GA. GENERAL ASSEMBLY - PART LIST**

<b>Stock No</b>	<b>Description</b>	<b>Stock No</b>	<b>Description</b>
<b>KB00</b>	TRIGGER GROUP ASSEMBLY	<b>KB04</b>	RUBBER RECOIL PAD SCREW
<b>KG00</b>	RECEIVER	<b>KA07</b>	FORE-END BLOCKER SPRING
<b>KG01</b>	RECOIL SPRING TUBE	<b>KA08</b>	FORE-END BLOCKER
<b>KG03</b>	RECOIL SPRING	<b>KA09</b>	FORE-END BLOCKER SCREW
<b>KG04</b>	RECOIL SPRING CAP	<b>KA10</b>	WALNUT FORE-END
<b>KG05</b>	CARRIER LATCH PIN	<b>KSA10</b>	SYNTHETIC FORE-END
<b>KG06</b>	CARRIER LATCH	<b>KA11</b>	FORE-END NUT
<b>KG07</b>	CARRIER LATCH SPRING	<b>KA12</b>	FORE-END PINNED PLATE
<b>KG08</b>	CARRIER LATCH BUTTON PIN	<b>KA13</b>	FORE-END PLATE
<b>KG09</b>	CARRIER LATCH BUTTON SPRING	<b>KN01</b>	BARREL
<b>KG10</b>	CARRIER LATCH BUTTON	<b>KN02</b>	FRONT SIGHT
<b>KG11</b>	FORE-END LATCH	<b>KN03</b>	BREECH
<b>KG12</b>	FORE-END LATCH SCREW	<b>KN07</b>	GAS HOLE O-RING
<b>KG13</b>	MAGAZINE LOGN SPRING CUP	<b>KN09</b>	CHOKE TUBE
<b>KG14</b>	MAGAZINE SPRING	<b>KN10</b>	GAS HOLE PLUG
<b>KG15</b>	MAGAZINE SHORT SPRING CUP	<b>KS05</b>	PISTON
<b>KG16</b>	MAGAZINE PLUG	<b>KS06</b>	PISTON O-RING
<b>KG17</b>	MAGAZINE TUBE	<b>KS07</b>	PISTON RING
<b>KG18</b>	MAGAZINE PLUG BLOCKER		
<b>KG19</b>	ACTION BAR		
<b>KA01</b>	WALNUT STOCK		
<b>KSA01</b>	SYNTHETIC STOCK		
<b>KA03</b>	RUBBER RECOIL PAD		



## TRIGGER GROUP ASSEMBLY-800

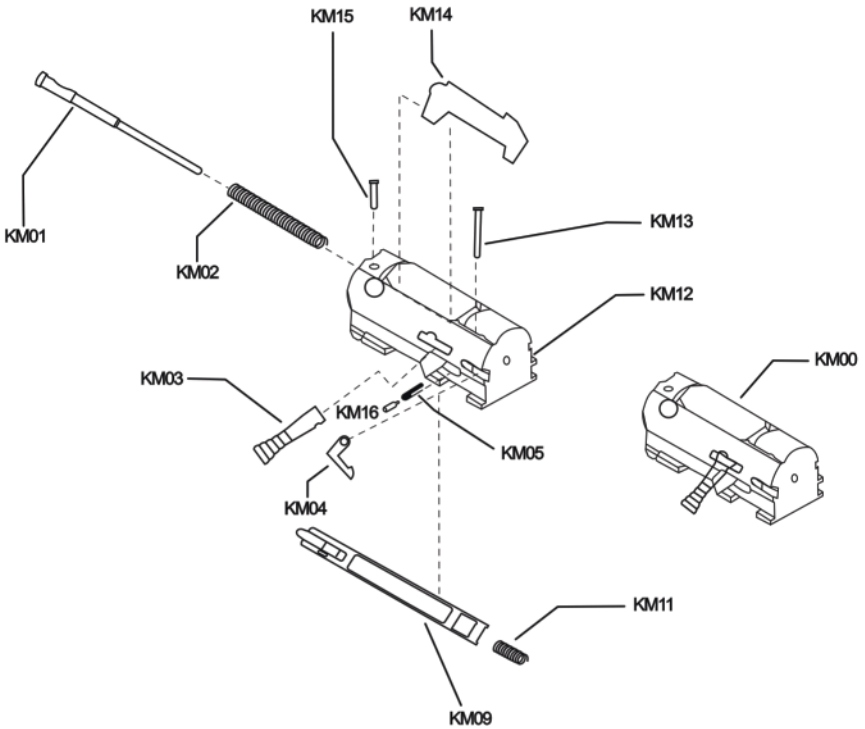


### 12 GA. TRIGGER GROUP ASSEMBLY - PART LIST

Stock No	Description	Stock No	Description
<b>KB01</b>	TRIGGER GUARD	<b>KB17</b>	HAMMER SPRING CAP
<b>KB02</b>	HAND SAFETY	<b>KB18</b>	HAMMER LATCH SPINDLE
<b>KB03</b>	SAFETY PLUNGER SPRING PIN	<b>KB19</b>	HAMMER LATCH
<b>KB04</b>	SAFETY PLUNGER SPRING	<b>KB20</b>	HAMMER TUBE PIN
<b>KB05</b>	SAFETY SPRING RETAINING PIN	<b>KB21</b>	HAMMER TUBE PISTON RING
<b>KB06</b>	TRIGGER FIXING PIN	<b>KB22</b>	TRIGGER GUARD LATCH SPRING
<b>KB07</b>	DISCONNECTOR	<b>KB23</b>	TRIGGER GUARD LATCH SPRING
<b>KB09</b>	TRIGGER SPRING	<b>KB24</b>	CARRIER
<b>KB10</b>	TRIGGER	<b>KB25</b>	BREECH BOLT LATCH
<b>KB11</b>	HAMMER DROP SPRING	<b>KB26</b>	BREECH BOLT LATCH PIN
<b>KB12</b>	HAMMER DROP PART	<b>KB27</b>	CARRIER PIN
<b>KB13</b>	HAMMER DROP PIN	<b>KB28</b>	CARRIER SPRING
<b>KB14</b>	TRIGGER PIN	<b>KB29</b>	CARRIER SPRING PIN
<b>KB15</b>	HAMMER	<b>KB30</b>	RECEIVER PIN
<b>KB16</b>	HAMMER SPRING		



### BOLT GROUP ASSEMBLY-KM00

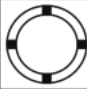







### 12 GA. BOLT GROUP ASSEMBLY - PART LIST

Stock No	Description	Stock No	Description
<b>KM01</b>	FIRING PIN	<b>KM07</b>	BOLT HANDLE PIN SPRING
<b>KM02</b>	IRINING PIN SPRING	<b>KM08</b>	BOLT
<b>KM03</b>	BOLT HANDLE	<b>KM09</b>	EXTRACTOR PIN
<b>KM04</b>	EXTRACTOR	<b>KM10</b>	LOCKING BLOCK
<b>KM05</b>	EXTRACTOR SPRING	<b>KM11</b>	FIRING RET AINING PIN
<b>KM06</b>	ACTION BAR	<b>KM12</b>	EXTRACTOR SPRING PIN

### USAGE OF CHOKE TUBES

The choke is what controls the openness or tightness of the pattern of your Shotgun. The chart below lists the choke available (from open to tight), and the corresponding marks that indicate the choke of your specific shotgun.

	SKEET	IC	M	IM	F	XF
CHOKE TUBE						
BBLS	CL	****	***	**	*	XF

Never fire or run gun cleaning tools through a barrel that uses choke tubes without having a choke tube installed. The threads of the choke tube and the internal threads of the barrel should be cleaned after each use and before installation of the tube.

To install a tube, insert the tube into the barrel and tighten with your fingers. Once the tube is finger tightened, tighten with the appropriate choke tube Wrench until the tube sits on the threads. DO NOT over tighten or forcefully tighten with wrench.

### MAINTENANCE AND CLEANING

**Caution:** Make sure the gun is unloaded.

1. Make sure that the broad, polished, finely fitted mating surfaces of the breech block and receiver are especially clean and lightly oiled with a high quality gun oil. Do not use pure silicone.
2. Run an oil patch through the bore with a cleaning rod starting from the breech end. To prevent leading, use a cleaning solvent and brass brush to clean the bore periodically. Follow this cleaning with one or two clean oil patches.

**Important:** If your gun is equipped with choke tubes, do not use a brass brush to clean the barrels unless a choke tube is installed in each barrel. Barrels that utilize choke tubes must also have the choke tubes removed to clean and oil the threads inside the barrel and the choke tubes themselves. This will protect the threads from being damaged by cleaning tools and also prevent a dirt build up that would cause the choke tube to become difficult to remove from the barrel. Damage can result to choke tubes and barrel when attempting to remove sticky choke tubes. Never fire your gun without choke tubes tightened in barrels. Do not over tighten choke tubes. Wipe all exposed metal surfaces with an oiled cloth before storing. Do not pour oil into the inside mechanism because it may hamper proper functioning and will soak





the wood. After extended periods of heavy use, your gun should be taken to a qualified gun smith to have the action disassembled for professional cleaning and lubrication.

**3.** Care for your wood stock and fore arm the same way you would a piece of furniture with the same finish.

### **STORAGE**

Clean thoroughly and oil your gun before storage. Store the gun in a case to prevent scratches and dents. Store in a dry place to prevent corrosion.

Store the gun away from children and in place where it cannot be obtained by those unauthorized to use it. Always store gun unloaded and separately from any ammunition.

### **IMPORTANT USAGE OF STEEL SHOT**

The choke (bore constriction) in all modern shotguns has been established based on the pattern performance of shot shells loaded with lead shot.

When using the steel shot shells, you will notice a different performance in pattern density versus the established lead shot pattern, because the steel shot is harder and lighter than lead shot.

You should be aware of the following differences and cautions:

Never shoot steel shot loads in a full choked barrel or full choke tubed barrel. To do so may cause the barrel to swell or rupture. In general, steel shot fired with a modified choke will produce the equivalent of a lead full choke pattern. This will be true of all steel shot sizes up to and including no. 2. The established improved cylinder chokes will produce the equivalent of a (lead) modified choke pattern. All steel shot sized larger than no. 2, and including special sized such as -F-, "Tetc." should be used only with improved cylinder chokes. These steel shot sized, when used in improved cylinder chokes, will produce patterns equivalent to (lead) full choke patterns. The established cylinder choke or bore will produce the equivalent of a modified (lead) pattern. Additional information concerning the use of steel shot is available from the best ammunition companies.

### **PARTS**

To order parts, please furnish the following information: Your name, address, telephone number, firearm serial number, maker and model. When we receive your request we will send you an order form and a parts breakdown with prices.

### **SERVICE AGREEMENT AND LIMITED WARRANTY**

Hunt Group Arms agrees to service its products free of charge for defects in materials and workmanship in accordance with the service agreement listed below. The obligation of Hunt Group Arms under this agreement is limited to the repair or replacement of unserviceable parts and does not cover any incidental or consequential damages. Other than the express warranty contained herein Hunt Group Arms makes no warranties, express or implied. Hunt Group Arms will repair or replace any unserviceable parts for one (1) year from date of purchase and further will supply free parts (Wood not included) for an additional (1) years in accordance with the above warranty statement provided your firearm had not been altered, abused, willfully damaged, or damaged by over pressure ammunition. This agreement is not transferable; its benefits apply only to the original purchaser. To obtain free service during the time this agreement is in effect, make sure your firirearm is unloaded, and send it to Hunt Group Arms. This agreement and the warranties contained herein are void if your registration card is not received with a copy of your sales slip within 30 days from date of purchase.

### **SHIPPING**

When returning your gun for service, please take care in packing. Disassemble your gun, wrap in paper or other protective media and place gun in the original box. (THIS BOX WILL PROTECT THE GUN BUT IS NOT DESIGNED FOR SHIPPING). Warp box in a cardboard box approved for interstate shipping. Hunt Group Arms is not responsible for damage occurred during shipping.



Ship the firearm prepaid to the address mentioned below:



HUNT GROUP INTERNATIONAL ARMS & SECURITY COMPANY  
Hamidiye Mahallesi 40907 Sokak No: 1/A - Beyşehir - KONYA / TURKEY

### **INSTALLATION MAGAZINE PLUG**

Some Federal, States and local hunting regulation may require that a shotgun must be limited to maximum shell capacity of three (3) rounds.

Your shotgun has been packed with a magazine plug for this purpose.

Installation :

- 1.** Remove the forend screw cap, the forend and the barrel.
- 2.** At the threaded end of the magazine tube (Where the forend screw cap fits) you will locate a black snap ring.
- 3.** A large blade screw driver should be used to remove the snap ring.

**CAUTION:** The snap ring will be under pressure from the magazine spring. Do not remove the snap ring in a manner where the ring could fly out and strike you or anyone else causing injury, particularly to the eye.

4. Compress the magazine spring into the magazine plug and insert the snap ring so the snap ring end is flush with the end of the tub.

### **THANK YOU**

Thank you for purchasing a Hunt Group Arms shotgun We are sure this gun will bring you years of hunting and/or shooting pleasure. Your satisfaction is the key to our success.



**HUNT GROUP**  
INTERNATIONAL ARMS & SECURITY



## BE COURTEOUS

When shooting or hunting always acquire the permission of the landowner. Respect the land. Do not litter, use gates when possible, leave open and closed gates closed. Drive vehicles only where advance permission has been granted any always express gratitude for use of another persons land. Offer your labor or game as repayment for the privilege of use. Remember you are helping develop a reputation for all sportsmen/sportswomen.

**HUNT GROUP SİLAH OTOM. SAN. ve TİC. LTD. ŞTİ.**

**Hamidiye Mahallesi 40907 Sokak No: 1/A - Beyşehir - KONYA / TURKEY**

**Web : [www.huntgrouparms.com](http://www.huntgrouparms.com)**

**E-mail : [info@huntgrouparms.com](mailto:info@huntgrouparms.com)**