



SINGLE BARREL
INSTRUCTION MANUAL
&
CERTIFICATE OF WARRANTY
FOR
REVOLUTION ARMORY

INTRODUCTION TO Kırıcı Silah

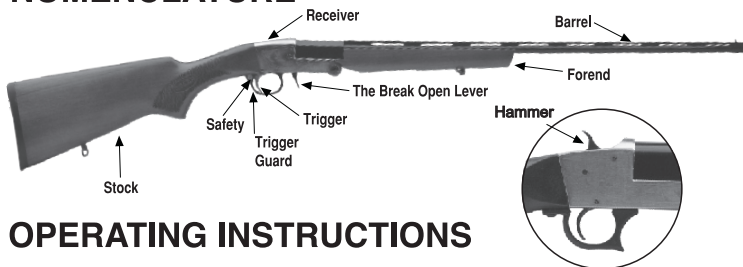
For many of years, Kırıcı Silah has been associated with the gun industry. After the word with modern technology and you have a product of true value and affordable quality. You have Kırıcı Silah We at Kırıcı Silah thank you for the privilege of delivering a product to you that will provide you with years of pleasurable use. Happy shotgunning.

SAFETY FIRST

Please do not use your shotgun before reading safety rules and this manual. Observe these rules of safe gun handling.

1. Always keep the muzzle pointed in a safe direction. Watch the muzzle at all time, never point a gun. accidentally or intentionally, at any person or anything you do not intend to shoot. Identify the target before shooting; do not shoot at sounds.
2. Always treat a gun as if it is loaded - it may be!
3. Keep your finger off the trigger while operating the action and at all other times until you are ready to shoot.
4. Keep the safety "on" or in the "safe" position at all times until you are ready to fire. Do not rely on your gun's safety, the safety on any gun is a mechanical device and is not intended as a substitute for common sense or safe gun handling.
5. Learn how your gun functions and handles. If you do not thoroughly understand the proper use and care of your gun, seek the advice of someone who is knowledgeable.
6. Do not alter or modify any part of the firearm.
7. Store guns unloaded, separate from any ammunition, and out of the reach of children.
8. Be sure the barrel is clear of any obstructions before loading. Make it a habit to check the barrel every time before loading.
9. Be sure you have and use the proper ammunition. A 20 gauge shell will enter a 12 gauge chamber far enough so that a 12 gauge shell can be loaded behind it. Also, a 3 inch shell may fit into a 2 inch chamber, but the crimp at the mouth of the shell will unfold into the forcing cone. If either of these things occur and you fire the gun, the gun will explode, damaging the gun and possibly causing serious injury or death to you and those around you.
10. Wear protective shooting glasses and adequate ear protection when shooting.
11. Never climb or jump over anything, such as a tree, fence, or ditch, with a loaded gun. Put safety ON. Open the barrel on barrel break shotguns, remove the shells/discharge the chamber on pump and semi-auto shotguns and hand the gun to someone else or place it on the ground on the other side of the obstacle before crossing it yourself. Do not lean a gun against a tree or other object; it could fall and possibly discharge.
12. Do not shoot at a hard surface or at water. Bullet and shot can ricochet or bounce off and travel in unpredictable directions with great velocity.
13. Never transport a loaded gun. DO NOT place a loaded gun into a vehicle. The gun should be unloaded and placed into a case when not in use.
14. Never drink alcoholic beverages before or during shooting.
15. Never try to repair the shotgun on your own if you are not educated or expert of. This may cause un-willed damage to your gun which may seriously injure you or someone around you.

NOMENCLATURE



OPERATING INSTRUCTIONS

WARNING: Read and understand all instructions and warnings in this manual **BEFORE** using this shotgun. It is important to learn the parts of your shotgun and their functions before using this firearm.

BREAK OPEN LEVER

The Break Open Lever is located in front of the trigger guard and controls the locking of the breech of the barrel to the receiver. To open the gun, pull the Break Open Lever fully rearward and ease down the barrel.

NOTE: Pulling the Break Open Lever partially rearward will not disengage the locking of the breech. The Break Open Lever may appear to be pulled back fully rearward, but is not. Pulling the Break Open Lever slightly further will fully disengage the locking of the breech.

SAFETY BUTTON

The safety button is located at the rear of the trigger guard and must be manually moved to the desired position by the shooter.

To put the safety in the “Safe” or “On” position, the safety button must be pushed from the left side so that it moves all the way to the right. The button must always be pushed fully to the right until it moves no further to be in the “Safe” or “On” position.

The safety button is designed to function only as described above and should not be reversed. **DO NOT** attempt to remove or reverse the safety button. Doing so may result in an unsafe condition which can cause serious injury or death.

WARNING: Do not rely solely on your gun's safety. Treat every gun as if it is loaded and ready to fire. The safety is a mechanical device and is not intended to serve as a substitute for common sense or safe gun handling. Always keep the muzzle pointed in a safe direction.

EXTRACTOR

This gun is equipped with an extractor. Once the Break Open Lever is pulled fully rearward and the action is opened, the extractor will partially elevate both fired and unfired shells in the chamber for easy removal by hand.

FIRING

WARNING: Read and understand all instructions and warnings in this manual **BEFORE** using this shotgun. It is important to learn the parts of your shotgun and their functions before using this firearm. Be sure of your target and what is beyond before firing.

After inserting the shotshell into the chamber, close and lock the breech. Your shotgun is ready to fire. Disengage the safety by pushing the safety button to the "Fire" or "Off" position, the safety button must be pushed from the right side so that it moves all the way to the left. The button must always be pushed fully to the left until it moves no further to be in the "Fire" or "Off" position. This will display a red band marking around the safety as an indicator that the safety is in the "Fire" or "Off" position.



Figure 1

Pull the bolt handle to open the gun, as shown
(Figure 1)

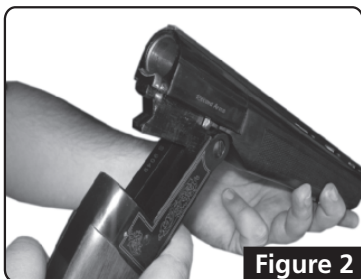


Figure 2

Break your gun open for loading as shown
(Figure 2)



Figure 3

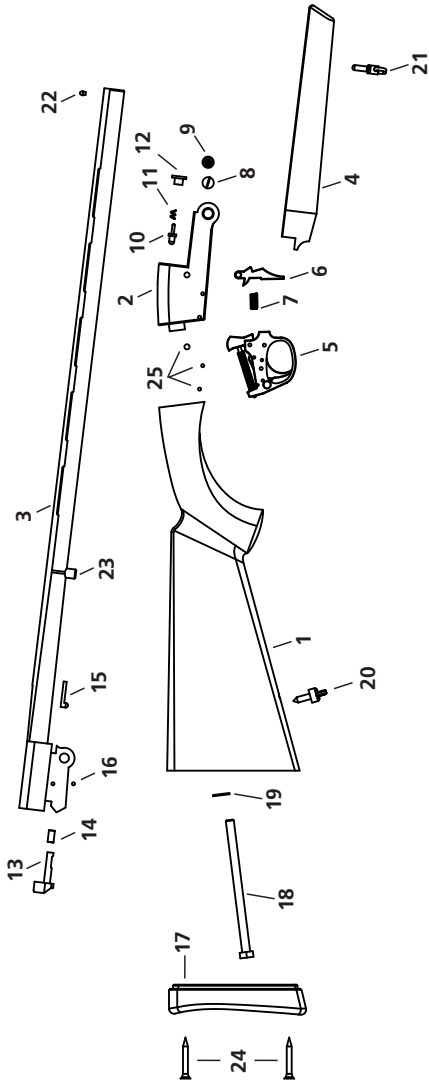
After loading the gun, close the barrel to be ready for fire, as shown
(Figure 3)



Figure 4

Push the safety button for safety mode. When the shotgun was in this mode, you can not see "red alert" colour on safety button.
important : please keep the shotgun in safety mode everytime while you are not shooting.

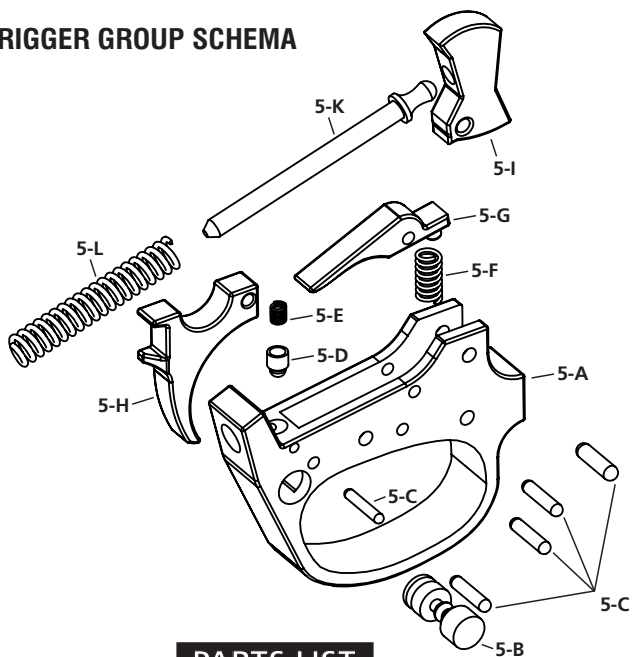
SINGLE BARREL GENERAL ASSEMBLY



PARTS LIST

1)	STOCK
2)	RECIEVER
3)	BARREL
4)	FORE-END
5)	TRIGGER GROUP
6)	BOLT HANDLE (TAKE DOWN LEVER)
7)	BOLT HANDLE SPRING
8)	RECIEVER MAIN SCREW
9)	RECIEVER MAIN SCREW
10)	FIRING PIN
11)	FIRING PIN SPRING
12)	FIRING PIN BUSHING
13)	EJECTOR
14)	EJECTOR EXTENTION
15)	EJECTOR SEAR
16)	EJECTOR SEAR PIN
17)	BUTT PLATE (RECOIL PAD)
18)	STOCK BOLT
19)	STOCK BOLT LOCK WASHER
20)	SLING SWIVEL
21)	FORE-END SLING SWIVEL
22)	FRONT SIGHT
23)	BARREL SLING SWIVEL
24)	BUTT PLATE SCREW
25)	TRIGGER GROUP PINS

TRIGGER GROUP SCHEMA



PARTS LIST

5-A)	TRIGGER GROUP
5-B)	SAFETY BUTTON
5-C)	TRIGGER GROUP PIN
5-D)	PLUNGER SAFETY
5-E)	PLUNGER SAFETY SPRING
5-F)	TRIGGER CONNECTOR SPRING
5-G)	TRIGGER CONNECTOR
5-H)	TRIGGER
5-I)	HAMMER
5-K)	HAMMER PIN
5-L)	HAMMER SPRING