

*Owner's Manual*  
**CENTURION**  
**BP-12 BULLPUP SHOTGUN 12GA.**



Congratulations on your purchase of the CENTURION BP-12 Bullpup Shotgun 12Ga. With proper care and handling, it will give you long, reliable service.

We specifically disclaim any responsibility for damage or injury whatsoever, occurring as a result of the use of faulty, non-standard or remanufactured ammunition, any modifications or changes made to the firearm; improper use or unsafe handling of the firearm.

Always keep this manual with your firearm. Make sure you understand all the warnings, operation instructions and safety procedures. When you lend, give or sell the firearm, be sure this manual goes with it.

**FIREARMS SAFETY IS THE SOLE RESPONSIBILITY OF THE SHOOTER. ALWAYS TREAT ALL FIREARMS AS IF THEY WERE LOADED AT ALL TIMES!**



**WARNING:** Cancer  
and Reproductive Harm -  
[www.P65Warnings.ca.gov](http://www.P65Warnings.ca.gov)



**IMPORTANT!**

READ ALL INSTRUCTIONS AND WARNINGS IN THIS BOOKLET BEFORE USING THIS FIREARM.



## IMPORTANT SAFETY MESSAGE

Children are attracted to and can operate firearms which can cause severe injuries or death. Prevent child access by always keeping guns locked away and unloaded when not in use. If you keep a loaded firearm where a child obtains and improperly uses it, you may be fined or sent to prison.

## Firearm Safety Depends on You

A gun is only as safe as the person operating it. You can never be overly careful when handling a firearm. Carelessness is often the cause of shooting accidents, such as failing to keep the muzzle pointed in a safe direction, not being sure of your target and what is behind it, failing to properly engage the safety, leaving ammunition in the chamber or using improper loads. Since a bullet can never be called back once fired, such errors in gun handling can result in the loss of life, severe injury or property damage thus, it is crucial for your safety and the safety of those around you that you learn the principles of safe gun handling and storage before you begin to use your new firearm. Be a safe shooter - please read this instruction book thoroughly even if this is not your first firearm purchase as not all firearms are the same. The first step in being a safe shooter is to learn the rules for the safe operation and handling of firearms. **There is nothing more important in gun handling than safety.**

## THE TEN COMMANDMENTS OF FIREARM SAFETY

The Ten Commandments of Firearm Safety must be etched into your memory before you begin to handle firearms. These rules are intended to be followed by all persons handling firearms in the field, on the range or at home. Please read, review and understand these rules before you begin to use or even take your new firearm out of its box. Remember, firearm safety depends on you! Memorizing these safety rules will help prevent gun accidents. Please study these safety rules before handling your firearm.

### Commandment #1



#### **Always Keep the Muzzle Pointed in a Safe Direction**

This is the most basic and most important safety rule. A safe direction is one in which an accidental discharge will not cause injury to yourself, to others or property damage. This is particularly important when loading or unloading your firearm. Never point your gun at anything you do not intend to shoot. Treat every gun as if it were loaded at all times.

### Commandment #2



#### **Firearms Should Be Unloaded When Not Actually in Use**

**Firearms should only be loaded when you are in the field or on the target range or shooting area, ready to shoot.** When not in use, firearms and ammunition should be secured in a safe place, separate from each other. Remember to unload your firearm completely so that there is no ammunition in the chamber or magazine. Before handling this or any firearm, or handing it to someone else, visually check the chamber and magazine to ensure they do not contain ammunition. Always keep the gun's action open when not in use. Never assume a gun is unloaded - even if you were the last person to use it. Never cross a fence, climb a tree, wade through a stream or perform any awkward movement with a loaded gun. When in doubt, unload your gun! Never pull or push a loaded firearm toward yourself or another person. Never carry a loaded gun in a scabbard, a holster not being worn or a gun case - common sense prevails in gun safety!



### Commandment #3

#### **Don't Completely Rely on Your Gun's Safety**

**Treat every gun as though it could fire at any time, even if you are not applying pressure to the trigger.** The "safety" on a firearm is a mechanical device which, like any such device, can become inoperable at the worst possible time and fail to function. By mistake, you may think the safety is "ON" when it actually is not. Or you may think your gun is unloaded when there is actually a round of ammunition in it. The safety serves as a supplement to proper gun handling but cannot serve as a substitute for common sense. Never handle a gun carelessly and assume that the gun won't fire just because "the safety is on." Never touch the firearm's trigger until you are ready to shoot. Keep your fingers away from the trigger when loading or unloading. Never pull the trigger when the safety is engaged or when the safety is positioned between the "SAFE" and "FIRE" positions. Never place your finger on the trigger unless you intend to fire.

### Alcohol, Drugs and Guns Don't Mix. Make No Mistake About It!

Never handle firearms after consuming alcohol or taking drugs that can affect your judgment. Shoot sober! Alcohol, certain kinds of drugs and firearms don't mix. Safe firearms handling requires alertness and concentration on one's actions. You cannot handle a firearm safely after consuming alcohol. Never consume anything that can impair your judgment or physical coordination when handling a firearm.



### Commandment #4

#### **Be Sure of Your Target - And What is Beyond It!**

**Once fired, a bullet (or shot charge) can never be called back; so before you shoot, know where the bullet is going and what it will strike.** Be certain your shot will not injure someone or strike something beyond the target. Never fire in the direction of noise, a movement or at any object you cannot positively identify. Be aware that a .22 Short bullet can travel over 1 ¼ miles. A centerfire cartridge, such as the .30-06, can send its bullet over 3 miles. Shotgun pellets can travel 500 yards and a shotgun slug has a range of over a half mile. Make sure your shot has a safe backstop such as a hillside. Keep in mind how far the bullet will travel if it misses your intended target. Once fired, a bullet can never be called back. You are responsible for your actions and judgment.



### Commandment #5

#### **Use the Correct Ammunition**

**Every firearm is designed to use a certain caliber or gauge of ammunition. It is important that you use the correct ammunition for your firearm.** Information on the correct ammunition to use with your firearm appears in the firearm's instruction manual and the manufacturer's markings on the firearm itself. Use of the wrong ammunition, improperly reloaded ammunition or corroded ammunition can result in the destruction of the firearm, serious personal injury and/or death. Form the habit of examining every round of ammunition before you put it into your gun to ensure it is of the proper gauge or caliber and that it is in good condition. Follow all instructions and warnings provided by the manufacturer of the ammunition being used. Never mix ammunition or carry a caliber different than the caliber for the firearm you are using.



## Commandment #6

### **If Your Gun Fails to Fire When the Trigger Is Pulled, Handle With Care**

If a cartridge or shell does not fire when the trigger is pulled, follow Commandment #1 and keep the firearm's muzzle pointed in a safe direction. Keep the muzzle down range with the action closed and wait at least 30 seconds (to ensure that the ammunition is not delayed in firing) before carefully opening the action, while avoiding exposure to the breech unloading the firearm and safely disposing of the ammunition.



## Commandment #7

### **Always Wear Eye and Ear Protection When Shooting**

Exposure to shooting noise can permanently damage hearing. Flying debris, such as powder residue and ejected cartridge cases, can injure your eyes. Thus, it is only common sense to wear both eye protection (such as shooting glasses) and ear protection (such as a sound-muffling headset) whenever shooting. Also, wear eye protection when cleaning or disassembling your gun to ensure that cleaning solvent and tensioned parts (such as springs) do not come into contact with your eyes.



## Commandment #8

### **Be Sure the Barrel Is Clear of Obstructions Before Shooting**

Discharging a firearm with an obstruction in the barrel can result in personal injury, property damage and/or death. Before you load your firearm, check the chamber and magazine to ascertain that no ammunition is inside. Also, check the inside of the barrel (called the "bore") to ensure it is free of obstructions. Even a small amount of mud, snow or excess lubricating oil or grease in the bore can cause excessive pressures resulting in a bulged or burst barrel which can injure or kill the shooter and bystanders. It is a good idea to make a habit of cleaning the bore and checking for obstructions with a cleaning rod just before each shooting session. If the noise or recoil experienced upon firing seems low or weak, or something doesn't feel "right," cease firing immediately and check to make sure that there is no obstruction in the barrel. Placing an undersized shell or cartridge into a gun (such as a 20 gauge shell in a shotgun chambered for 12 gauge ammunition) can result in the smaller round of ammunition falling into the barrel and acting as an obstruction. When a round is subsequently fired, the barrel may burst, causing injury to the shooter and bystanders. For reference, re-read Commandment #5.



## Commandment #9

### **Do Not Alter or Modify Your Gun and Have It Serviced Regularly**

Firearms are complex mechanisms that are designed to function properly in their original condition. Any alterations or changes made to a firearm after its manufacture can make the gun unsafe and will void its warranty. Do not jeopardize your safety or the safety of others by altering the trigger, mechanical safety or other mechanisms of your firearm. You should have your firearm periodically checked for proper functioning and serviced by a qualified gunsmith.



## Commandment #10

### **Learn the Mechanical and Handling Characteristics of Your Firearm**

Not all firearms operate the same way. The method of carrying, handling and operating firearms varies with the mechanical characteristics of each gun. Thus, you should never handle any firearm until you become familiar with the safe handling, loading, unloading and carrying procedures for that particular firearm, as well as the rules for safe gun handling in general.



### LEAD WARNING!

Discharging firearms in poorly ventilated areas, cleaning firearms or handling ammunition may result in exposure to lead and other substances known to cause birth defects, reproductive harm and other serious injuries. Have adequate ventilation at all times when shooting. Wash hands thoroughly after exposure.

### Basics of Safe Gun Handling

1. Always keep the muzzle pointed in a safe direction.
2. Firearms should be unloaded when not actually in use.
3. Don't totally rely on your gun's safety.
4. Be sure of your target and what is beyond it.
5. Use the correct ammunition for your firearm.
6. If your gun fails to fire when the trigger is pulled, handle with care.
7. Always wear eye and ear protection when shooting and cleaning.
8. Be sure the barrel is clear of obstructions before shooting.
9. Don't alter or modify your firearm and have your firearm(s) serviced regularly.
10. Learn the mechanics and handling characteristics of the firearm you are using.

**Safe gun handling depends on you! A safe shooter is a knowledgeable shooter.**



**WARNING!** STOP SHOOTING IMMEDIATELY AND UNLOAD YOUR FIREARM if your firearm develops a mechanical malfunction; binding or stoppage, spitting powder/gas, a cartridge primer is punctured, a cartridge case is bulged or ruptured, or the sound on firing does not sound quite right. Do NOT try one more shot, but unload your firearm and take it and the ammunition to a qualified gunsmith or send it back to Century Arms for examination. Do not assume that the firearm is empty merely because you checked the chamber. You must also check the bore for any fired shot or wad jammed inside the barrel.



**WARNING!** Always ensure that the ammunition you are using is clean, undamaged and of the proper caliber before loading your shotgun. The manufacturer and distributor of this shotgun disclaim any liability for the use of remanufactured, reloaded or hand-loaded ammunition. Protect your investment in this fine firearm by using only factory fresh, quality ammunition. The use of improper caliber or low quality ammunition could result in injury, death and/or property damage upon firing. Remember, firearms safety depends on you!

# IDENTIFYING MARKINGS

Every firearm we produce has a serial number that is marked on the receiver/frame. Close to the serial number you will also find the manufacturer's information with the model name and caliber marked either on the frame or the barrel as required by law.

# DESCRIPTION & SPECS

Your shotgun is gas operated. The gas created from firing a live shot shell operates the action. Once the first shell has been fired, the next shell in the magazine will automatically cycle into the chamber, and this cycle will continue (each time the trigger is pulled) until all shells loaded in the magazine have been fired. The bolt will remain locked in the open position after the last shell is fired.

This model comes with two interchangeable pistons allowing you to shoot 2-3/4" and 3" shells interchangeably with any ammunition of the proper gauge for your firearm with flawless performance.

# NOMENCLATURE



# SAFETY SELECTOR/BUTTON

The safety is designed to stop the trigger mechanism. **Do not rely on your firearms' safety, treat every firearm as if it were loaded and ready to fire.** The safety on any firearm is a mechanical device, and it is not intended as a substitute for common sense or safe firearms handling. Always keep the muzzle pointed in a safe direction.

A. The safety is located above and just behind the trigger.

- B. To engage the safety, push the button in from the left side so that it protrudes from the right side of the firearm. The safety should always be in the "on" or "safe" position until you intend to shoot. (Fig. 1)
- C. When you are ready to shoot the firearm, press the safety button to the "off" position so that the red band protrudes from right to left side of the firearm.



**⚠ DANGER:** The firearm will fire when the trigger is pulled intentionally or accidentally when the **RED BAND IS PROTRUDED** on the left side.

## LOADING/FIRING

- ⚠ WARNING:** Shotgun can fire with magazine removed.
- ⚠ WARNING:** Shotgun may fire if dropped with a shell in the chamber.

The BP-12 has a detachable magazine. The magazine holds 5 cartridges of either 2-3/4" or 3" ammunition. The BP-12 comes with two gas pistons. The piston installed from the factory is for 2-3/4" cartridges and the extra piston is for 3" ammunition. Using the 2-3/4" gas piston with 3" ammunition will cause feeding/cycling issues. Therefore, use the correct piston for the ammunition being used and do not mix 2-3/4" and 3" ammunition in the magazine.

1. Install the empty magazine into the shotgun (Fig. 2). Pull the operating handle rearward which will lock the bolt in the rear position (Fig. 3).
2. Push the safety button to the "safe" position (Fig. 4). Press the magazine release button (Fig. 5) and remove the magazine.
3. After loading cartridges in the magazine, while keeping the muzzle pointed in a safe direction install the magazine firmly in the magazine well of the shotgun. The magazine will engage with the magazine release button and lock it into position. (If you pull down on the magazine after installation and it comes out of the mag well, then the magazine was not installed correctly). After magazine is installed correctly, press the bolt release to chamber a cartridge (Fig. 6).





You are now ready to fire your shotgun. Be sure the barrel is pointed in a safe direction, press the safety selector to the “fire” position and pull the trigger to fire the shotgun.

When the magazine is empty, the bolt will lock back in the rear position. Remove the empty magazine. Press the safety button to the “safe” position and press the bolt release. Visually check that the chamber is empty. Your shotgun is now unloaded and safe.

## UNLOADING

**Be sure the safety is in the “on” or “safe” position and the barrel is pointed in a safe direction.**

1. Remove the magazine by pressing the magazine release button (Fig. 7) and pull out the magazine. Note: When removing magazine, a cartridge may fall out in addition to the magazine.
2. Pull the bolt rearward (Fig. 8) and the cartridge in the chamber will be ejected. Visually check that the chamber is empty.

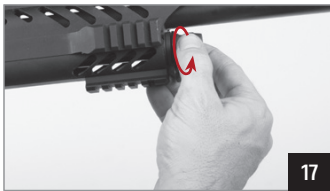


## DISASSEMBLY

1. Install the empty magazine into the shotgun (Fig. 9). Pull the operating handle rearward to lock the bolt in the rear position (Fig. 10).
2. Press the safety button to the “safe” position (Fig. 11). Press the magazine release button (Fig. 12) and remove the magazine.
3. Rotate the cartridge ramp latch clockwise to the down position (Fig. 13).
4. Press the bolt release to release the bolt (Fig. 14).
5. From the left side push in the receiver pins and then continue pulling them out from the right side of the receiver (Fig. 15). Note: Pins are not completely removable.
6. Remove the upper receiver from the lower carriage (Fig. 16).



7. Remove the magazine cap by turning counterclockwise (Fig. 17).
8. Remove the forend (Fig. 18).
9. Remove the barrel locking nut (Fig. 19).
10. Pull barrel and action assembly forward out of receiver (Fig. 20).
11. Remove piston from barrel collar (Fig. 21).
12. No further disassembly is required for maintenance cleaning or changing piston.





## REASSEMBLY

As with most firearms, assembly is carried out in the reverse order of disassembly.

# USAGE OF CHOKE TUBES

The choke controls how open or tight the pattern of the shot will be. The chart below lists the chokes available (from open to tight), and the corresponding marks that indicate the specific choke.

	SKEET	IC	M	IM	F
CHOKE TUBE					
BBLS	CL	★★★★	★★★	★★	★

Never fire your shotgun or run cleaning tools through a barrel that uses a choke tube without having a choke installed. The threads of the choke tube and the internal threads of the barrel should be cleaned after each use and before installation of the tube.

To install a tube, insert the tube into the top of the barrel and tighten with your fingers. Once the tube is finger tightened, tighten the rest of the way with the appropriate choke tube wrench until the tube is snug. **Do not over tighten or forcefully tighten with wrench.**

The choke (bore constriction) in all modern shotguns has been established based on the pattern performance of shot shells loaded with lead shot. When using steel shot shells you will notice a different performance in pattern density versus the established lead shot pattern, because the steel shot is harder and lighter than lead shot.

## **⚠ WARNING: Steel Shot Usage**


**You should be aware of the following differences and cautions: Never shoot steel shot loads in a full choke barrel or an improved modified choked barrel. Doing so, might cause the barrel to swell or rupture.** In general, steel shot fired with a modified choke will produce the equivalent of a lead full choke pattern. This will be true of all steel shot sized up to and including No. 2. The established improved cylinder chokes will produce the equivalent of a (lead) modified pattern.

All steel shot larger than No. 2, and including special sized such as F, T, etc., should be used only with improved cylinder chokes. These steel shot sizes, when used in an improved cylinder choke, will produce the equivalent to (lead) full choke patterns. The established cylinder choke or bore will produce the equivalent of a modified (lead) pattern.

Additional information concerning the use of steel shot is available from the ammunition companies

# CLEANING & MAINTENANCE

 **WARNING: Wear Eye Protection.**

 **CAUTION: Make sure the firearm is unloaded.**

1. Make sure the broad, polished finely fitting mating surface of the breech block and receiver is especially clean and lightly oiled with high quality gun oil. Do not use silicone, lanolin or WD-40.
2. Run an oil patch through the bore with a cleaning rod starting from the breech end. To prevent leading, use a cleaning solvent and brass brush to clean the bore periodically. Follow this cleaning with one or two clean oil patches. **Important:** If your gun is equipped with choke tubes, do not use a brass brush to clean the barrel without having a choke tube installed. Barrels that utilize choke tubes must also have the choke tubes removed to clean and oil the threads inside the barrel and the choke tubes themselves. This will protect the threads and prevent dirt build up that can cause tubes to become difficult to remove. Never fire your gun without choke tubes completely tighten in barrels. Do not over tighten choke tubes. Wipe all exposed metal surfaces with an oiled cloth before storing. After extended periods of heavy use, your gun should be taken to a qualified gunsmith to have the action disassembled for professional cleaning and lubrication.

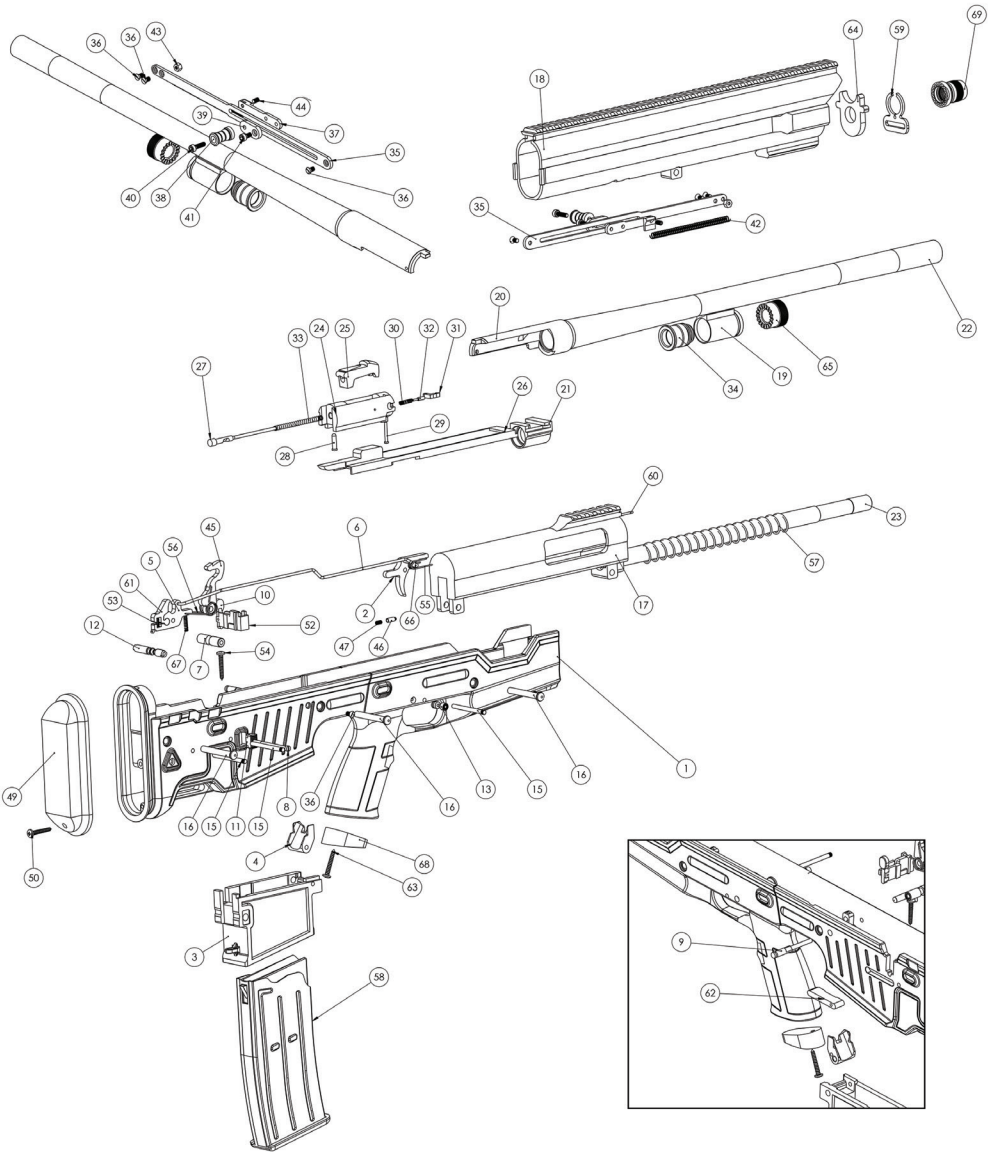
## STORAGE

Clean thoroughly and oil your firearm before storage. Store the firearm in a case to prevent scratches and dents. Store your firearm in a dry place to prevent corrosion. **Store the firearm away from children and in a place where it cannot be obtained by those unauthorized to use it. Always store firearm unloaded and separately from and ammunition.**

## THANK YOU

Thank you for purchasing your firearm from us. We are certain it will bring you years of hunting and/or shooting pleasure. Your satisfaction is the key to our success. Please let us know if we can be of service and relay any observations about your firearms' performance or appearance.

# EXPLODED VIEW



# PARTS LIST

PART	DESCRIPTION	PART	DESCRIPTION
1	Carriage	43	M4 Nut
2	Trigger	44	Grub Screw
3	Magazine Home	45	Hammer
4	Cartridge Ramp	46	Safety Push Reel
5	Back Trigger	47	Safety Spring
6	Trigger Action Arm	49	Recoil Pad
7	Hammer Pin	50	Recoil Pad Screw
8	Magazine Catch Screw	52	Bolt Stopper
9	Cartridge Ramp Action Arm	53	Hammer Sear Spring
10	Bolt Release	54	Magazine Home Screw
11	Magazine Catch Button	55	Trigger Spring
12	Safety Pin	56	Hammer Spring
13	Safety Button	57	Action Spring
15	Hammer, Trigger & Back Trigger Pin	58	Magazine
16	Receiver Pin	59	Swivel
17	Receiver	60	Forend & Receiver Centering Pin
18	Forend	61	Hammer Sear
19	Gas Chamber	62	Magazine Catch
20	Barrel Lug	63	Grip Screw
21	Arm Pipe	64	Forend Plate
22	Barrel	65	Counter Nut
23	Action Tube	66	Trigger Spring Pin
24	Bolt	67	Back Trigger Spring
25	Locking Block	68	Grip Cap
26	Action Bar	69	Magazine Cap
27	Firing Pin		
28	Firing Pin Retainer		
29	Extractor Retainer Pin		
30	Extractor Spring		
31	Extractor		
32	Extractor Spring Pin		
33	Firing Spring		
34	Gas Piston		
35	Operating Handle Home		
36	M4 Screw		
37	Operating Handle Spring Part		
38	Operating Handle		
39	Operating Handle Part		
40	M4 Screw		
41	M4 Screw		
42	Operating Handle Spring		

### **Limited Parts Replacement Warranty**

The Centurion BP-12 Bullpup Shotgun 12Ga is warranted to be free of manufacturing defects for a period of one year from the original date of purchase of the Centurion BP-12 Bullpup Shotgun 12Ga from a federally licensed firearms retailer. The warranty only applies to the first retail purchaser and is not transferrable or assignable. Proof of purchase must be presented at the time any warranty claim is made. This is a one year warranty limited to replacement of improperly manufactured parts. Any alterations, modifications, abuse, misuse or discharge of poor quality, corrosive or defective ammunition voids the warranty.

### **Return Authorization**

To obtain warranty service, contact us at 1.800.527.1252 to get a return authorization. Please note that a return authorization must be obtained prior to returning the firearm.

Century International Arms, Inc.  
236 Bryce Boulevard  
Fairfax, Vermont 05454  
USA  
[www.centuryarms.com](http://www.centuryarms.com)

Centurion BP-12 Bullpup Shotgun 12Ga.

Distributed by:

Century International Arms, Inc.  
236 Bryce Boulevard, Fairfax VT 05454  
[www.centuryarms.com](http://www.centuryarms.com)  
Sales Tel: 1.800.527.1252 - 1.561.265.4530  
Sales Fax: 1.561.265.4520